

# PFSH300GCP

## Shower Head



### Product Features

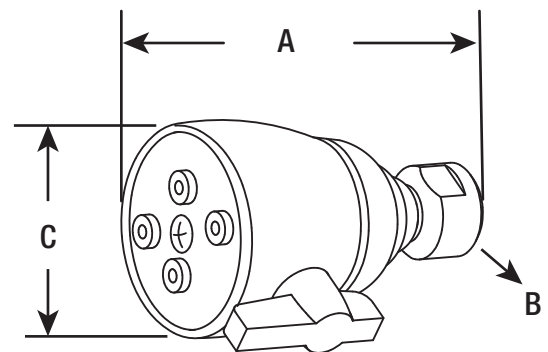
- Adjustable spray pattern
- Zinc ball joint and threaded connection
- Chrome plated finish
- Max. flow rate: 1.75 gpm at 80 psi



PFSH300GCP

### Product Specifications

	A	B	C	Remarks
PFSH300GCP	3-1/4" (82.6mm)	1/2"-14 NPT	2-1/8" (54.0mm)	4 nozzles



### Warranty and Codes

This product comes complete with installation, operating, care and maintenance instructions. All PROFLO fixtures carry a 1-year limited warranty. In an effort to continually improve our products, we will make design changes from time to time. We reserve the right to ship newly designed product to fill any order unless we agree.