

PF5230G SINGLE HANDLE TUB AND SHOWER TRIM KIT



Model Numbers

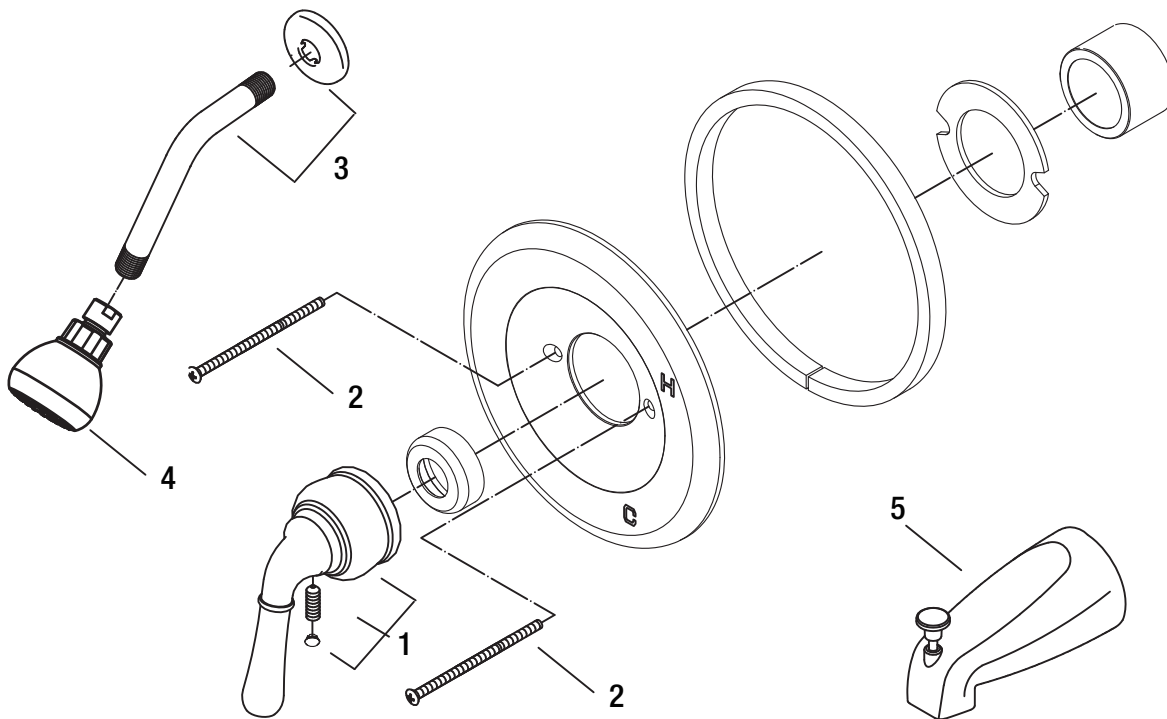
PF5230GCP
PF5230GZBN
PF5230GORB



PF5230GCP

NO.	ITEM	PART NUMBER	MATERIAL TYPE
1	Metal handle	OBPF7654073*	Zinc
2	Escutcheon screw (set of 2)	OBPF1654271*	S/S
3	Shower arm with flange	PFSK46*	S/S
4	Showerhead	PFSH324*	ABS+Brass
5	Spout	PF1096*	Zinc

* Specify Finish



Warranty and Codes

This product comes complete with installation, operating, care and maintenance instructions. This PROFLO faucet carries a limited lifetime warranty when installed in residential applications. The warranty is five years in commercial applications. This product meets ASME: A112.18.1. Compliant with lead content requirements of US Senate Bill S.3874

