

EDENTON

TOILET TANK HANDLE

SKU: 951180



FEATURES

Fits Most Front Mount Conventional Toilet Tanks.
Solid Brass Construction Trip Lever and a Zinc Handle.

CONTENTS

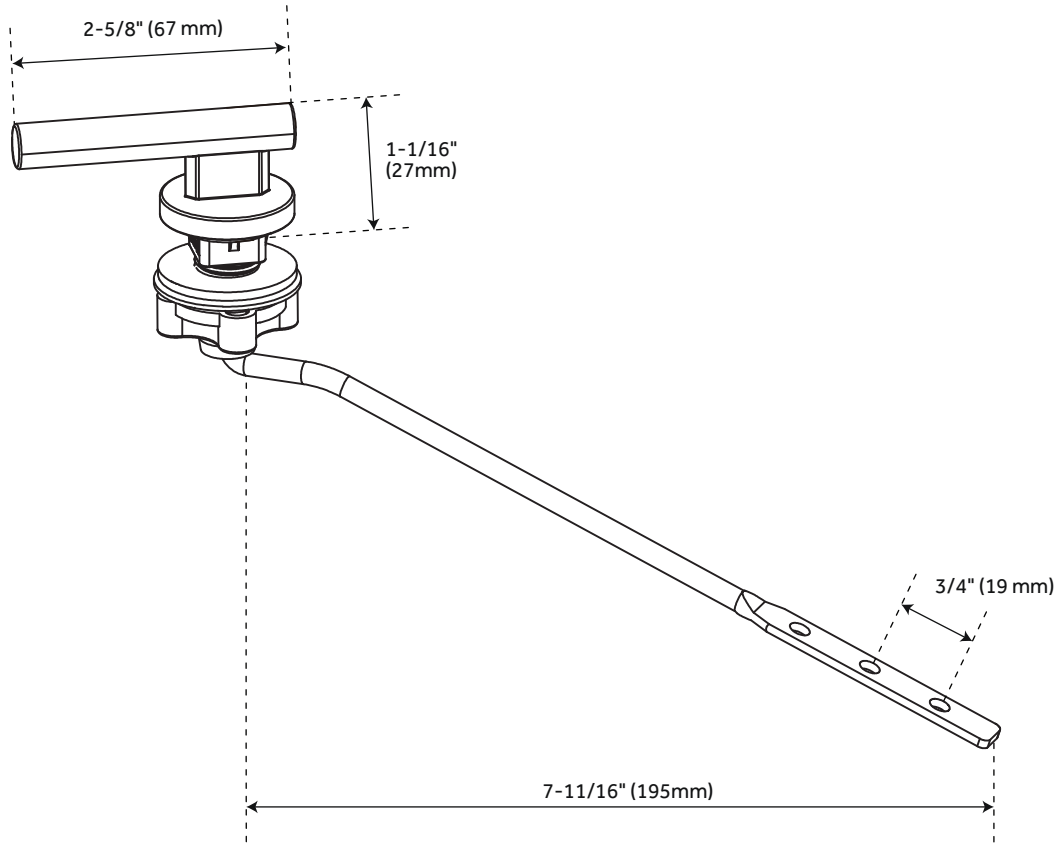
TOILET TANK HANDLE PAGE 2

REVISED 11/11/2020

EDENTON

TOILET TANK HANDLE

SKU: 951180



FEATURES

- Handle Length: $2\text{-}5/8"$
- Handle Depth: $1\text{-}1/16"$
- Interior Lever Length: $7\text{-}11/16"$

PRODUCT IMAGE



All dimensions and specifications are nominal and may vary. Use actual products for accuracy in critical situations.

PAGE 2
Code: SH429BN, SH429CP