



# SENTINEL™

## 1.28 GPF SINGLE FLUSH TOILET

Elongated Bowl with 10-12" Rough-In

### FEATURES

- Uses 60% less water than a common 3.5 GPF toilet
- Excellent 1000g MaP score
- Opposable handle positioning
- Flapperless tank with Fluidmaster fill valve
- Sweat-free tank
- Maintenance free, leak free, no double flushing
- Adjustable rough-in depth with no conversion kits required
- Patented flapperless EcoLogic® tip bucket technology
- ADA Compliant\*

### SPECIFICATIONS



**Materials:** Vitreous China **Finish Color:** White

#### Codes/Standards:

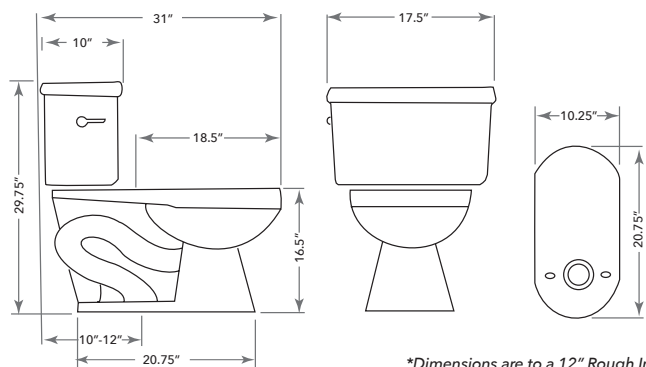
ASME A112.19.2/CSA B45.1

DOE - Energy Policy Act 1992

California Energy Commission (CEC)

ICC/ANSI A117.1

### MEASUREMENTS



\*Dimensions are to a 12" Rough In



### BULK PACKAGING

#### N2235EB Elongated Bowl

UPC Code 732291223515

Packaging Type Kraft Corrugated

Packaging Dimensions 15.5" W  
17.5" H  
29.75" D

Packaging Weight 53 lbs

Skid Quantity 18 or 12

#### N2235T Tank

UPC Code 732291223522

Packaging Type Kraft Corrugated

Packaging Dimensions 10.5" W  
15.75" H  
18.5" D

Packaging Weight 37 lbs

Skid Quantity 30

\*LIMITED LIFETIME WARRANTY on vitreous china products. Toilet tank trim: fill valve and flush valve assembly and plumbing fittings are warranted for a period of ten (10) years to the purchaser from the date of purchase. Call Niagara Conservation™ for complete warranty details.