



SENTINEL™

1.28 GPF SINGLE FLUSH TOILET

Round Bowl with 10-12" Rough-In

FEATURES

- Uses 60% less water than a common 3.5 GPF toilet
- Excellent 800g MaP score
- Opposable handle positioning
- Flapperless tank with Fluidmaster fill valve
- Sweat-free tank
- Maintenance free, leak free, no double flushing
- Adjustable rough-in depth with no conversion kits required
- Patented flapperless EcoLogic® tip bucket technology

SPECIFICATIONS



Materials: Vitreous China **Finish Color:** White

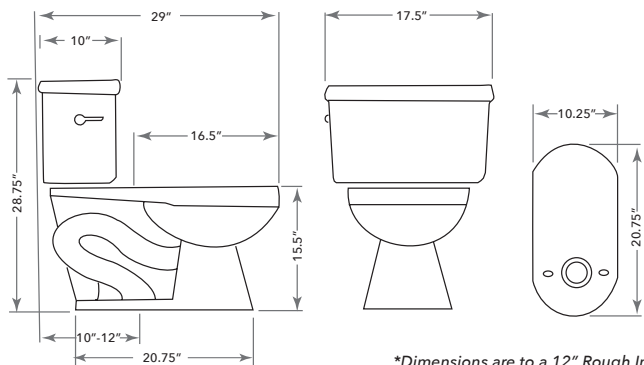
Codes/Standards:

ASME A112.19.2/CSA B45.1

DOE - Energy Policy Act 1992

California Energy Commission (CEC)

MEASUREMENTS



**Dimensions are to a 12" Rough In*



BULK PACKAGING

N2235RB Round Bowl

UPC Code 732291223508

Packaging Type Kraft Corrugated

Packaging Dimensions 15.5" W
16" H
27.5" D

Packaging Weight 50 lbs

Skid Quantity 18 or 12

N2235T Tank

UPC Code 732291223522

Packaging Type Kraft Corrugated

Packaging Dimensions 10.5" W
15.75" H
18.5" D

Packaging Weight 35 lbs

Skid Quantity 30

*LIMITED LIFETIME WARRANTY on vitreous china products. Toilet tank trim: fill valve and flush valve assembly and plumbing fittings are warranted for a period of ten (10) years to the purchaser from the date of purchase. Call Niagara Conservation™ for complete warranty details.