



# FRIGIDAIRE

## Factory Parts Catalog

Product No.	FGHT1842TE0	FGHT1842TF0	FGHT1842TP0
Series	Gallery	Gallery	Gallery
Color	black	stainless	white
Volts	115	115	115
Wiring Diagram	A06001401	A06001401	A06001401
Owner's Guide	A07441201	A07441201	A07441201
Market	North America	North America	North America
Energy Guide	A06191414	A06191414	A06191414
Service Data Sheet	A06813801	A06813801	A06813801
Installation Instructions	A01278403	A01278403	A01278403
Optional Ice Maker	IM116000	IM116000	IM116000

### Frigidaire

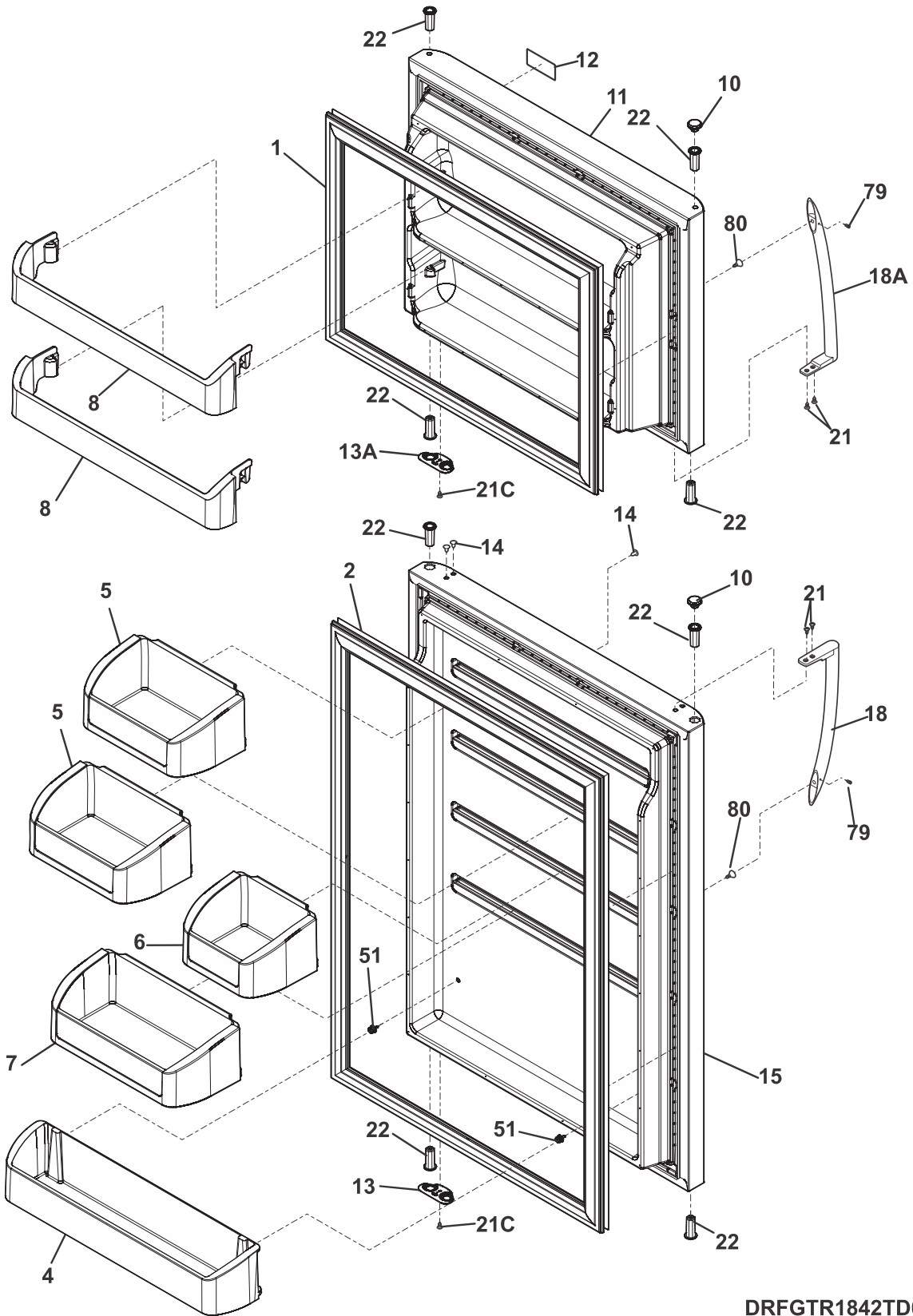
P.O. BOX 8020  
CHARLOTTE, NC 28262

Publication No.  
**5995687729**  
17/06/01  
(EN/SERVICE/LF)  
390

### TOP-MOUNT REFRIGERATOR

Model No.  
FGHT1842T

DOOR



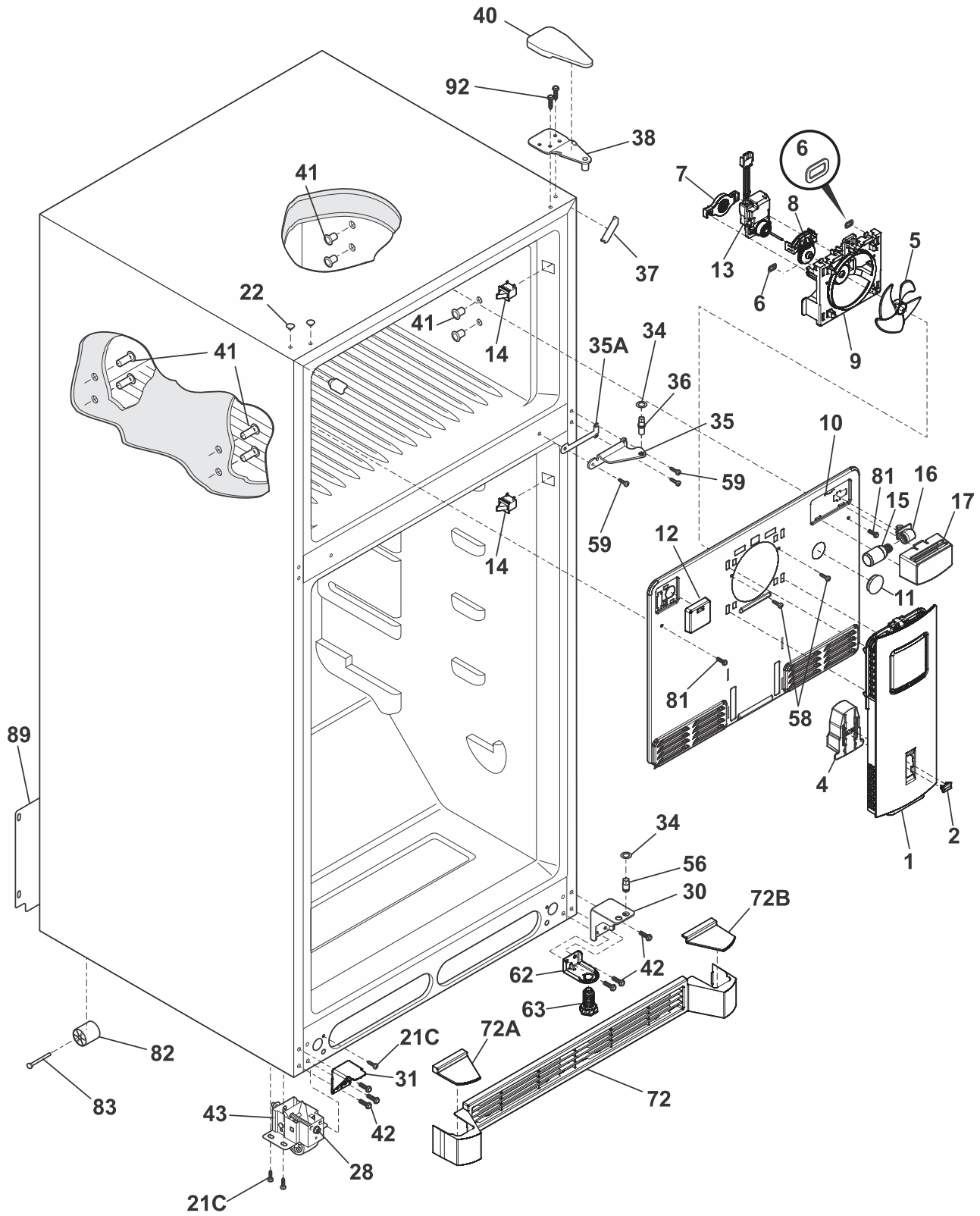
DRFGTR1842TD0

**DOOR**

*Model Index:* A FGHT1842T (FGHT1842TE0)  
 B FGHT1842T (FGHT1842TF0)  
 C FGHT1842T (FGHT1842TP0)

POS. NO	PART NO.		DESCRIPTION
1	242193209	A - -	Gasket-frzr door, black, magnetic
1	242193218	- B -	Gasket-frzr door, gray, magnetic
1	242193203	- - C	Gasket-frzr door, white, magnetic
2	242193212	A - -	Gasket-refr door, black, magnetic
2	242193219	- B -	Gasket-refr door, gray, magnetic
2	242193206	- - C	Gasket-refr door, white, magnetic
4	5304498927	A B C	Bin, door, full width, white, refrigerator, pseudo
5	242308202	A B C	Bin, door, 1/2 width, w/trim
6	242324202	A B C	Bin, door, 1/3 width, w/trim
7	242324302	A B C	Bin, door, 2/3 width, w/trim
8	5304498909	A B C	Bin, door, clear, freezer, (2), pseudo
10	240381303	A - -	Plug-button, black, hinge brg hole
10	240381307	- B -	Plug-button, gray, hinge brg hole, (2)
10	240381301	- - C	Plug-button, white, hinge brg hole, (2)
11	240437409	A - -	Door-frzr, black, complete assy
11	240410208	- B -	Door-frzr, stainless, complete assy
11	240437407	- - C	Door-frzr, white, complete assy
12	5304512152	A - -	Nameplate, black
12	5304512150	- B -	Nameplate, chrome
12	5304512151	- - C	Nameplate, white
13	240312422	A - -	Door Stop, black, ref
13	240312420	- B -	Door Stop, gray, ref
13	240312421	- - C	Door Stop, white, ref
13A	240312415	A - -	Door Stop, black, frzr
13A	240312419	- B -	Door Stop, gray, frzr
13A	240312414	- - C	Door Stop, white, frzr
14	240494003	A - -	Plug-button, black
14	240494007	- B -	Plug-button, gray
14	240494001	- - C	Plug-button, white, cab liner holes
15	A01264903	A - -	Door-ref, black
15	A01264902	- B -	Door-ref, stainless
15	A01264904	- - C	Door-ref, white
18	241977505	A - -	Handle-door, black, refr-RH/frzr-LH
18	241977501	- B -	Handle-door, stainless, refr-RH/frzr-LH
18	241977503	- - C	Handle-door, white, refr-RH/frzr-LH
18A	241977506	A - -	Handle-door, black, refr-LH/frzr-RH
18A	241977502	- B -	Handle-door, stainless, refr-LH/frzr-RH
18A	241977504	- - C	Handle-door, white, refr-LH/frzr-RH
21	240383408	A - -	Screw, truss hd quad, 10 x 16, black
21	240383406	- B -	Screw, truss hd quad, #10-16 x .500, zinc
21	240383407	- - C	Screw, truss hd quad, #10-16 x .500, white
21C	218252201	A B C	Screw, #8 truss hd, 10-32CA x 0.500
22	5304507147	A B -	Bearing-hinge, black, (8)
22	5304507146	- - C	Bearing-hinge, natural, (8)
51	242039702	A B C	Screw, shoulder, #10-16, (2)
79	218755407	A B C	Screw-set, 10-32 x 0.500
79*	241601001	A B C	Wrench, allen
80	218755504	A B C	Screw, shoulder, #10-AB, handle mounting

**CABINET**



CAFGTR1842TD0

**CABINET**

*Model Index:* A FGHT1842T (FGHT1842TE0)  
 B FGHT1842T (FGHT1842TF0)  
 C FGHT1842T (FGHT1842TP0)

POS. NO	PART NO.		DESCRIPTION
1	5304511140	A B C	Cover, freezer evaporator fan
2	242229401	A B C	Knob, sliding, damper
4	5304511141	A B C	Damper, cover, evaporator fan
5	242219302	A B C	Fan Blade, evaporator
6	5304497413	A B C	Ring, locking, (2)
7	242287501	A B C	Grommet, evaporator fan, rear
8	242237301	A B C	Grommet, evaporator fan, front
9	242229301	A B C	Shroud Bracket, evaporator fan
10	242239306	A B C	Cover, coil
10*	240568601	A B C	Seal-coil cover
11	5303208309	A B C	Plug-hole, factory test
12	242249201	A B C	Cover, connection, ice maker
12*	241586701	A B C	Plug, round, foam, ice maker, water inlet
13	242219205	A B C	Motor-blower
13*	218515401	A B C	Clip-grille
13*	241953901	A B C	Screw, quad hilo, #8-18 x 0.50, (2)
14 #	241554901	A B C	Switch-light/lamp
15	5304510893	A B C	Light Bulb, LED
16	240590404	A B C	Socket-light
17	242287601	A B C	Lens, light, freezer
21C	218252201	A B C	Screw, #8 truss hd, 10-32CA x 0.500
22	215774918	A - -	Plug-button, black, upr hinge holes
22	215774922	- B -	Plug-button, gray, upr hinge holes
22	215774901	- - C	Plug-button, white, upr hinge holes
28	240335502	A B C	Bolt-roller adj, hex washer head, 1/4-20 x 4.020, (2), special
30	240314003	A - -	Bracket-lower hinge, black
30	240516621	- B -	S/A-PUR HINGE BRK.RH(2.5"DR)
30	240314002	- - C	Bracket-lower hinge, white
31	5304498924	A B C	Support, cover, toe grille
31*	5304498949	A B C	Washer, steel, (2)
34	240311303	A B C	Washer, hinge, nylon, (2)
35	240313803	A - -	Bracket-ctr hinge, black
35	240313807	- B -	Bracket-ctr hinge, gray
35	240313802	- - C	Bracket-ctr hinge, white
35A	240336803	A - -	Spacer-hinge, center, black
35A	240336804	- B -	Spacer-hinge, center, gray
35A	240336802	- - C	Spacer-hinge, center, white
36	240516402	A B C	Pin-center hinge
37	242161202	A - -	Trim-cabinet corner, black, (2)
37	242161206	- B -	Trim-cabinet corner, gray, (2)
37	242161201	- - C	Trim-cabinet corner, white, (2)
38	240313703	A B C	Bracket-upper hinge
40	240354404	A - -	Cover-upper hinge, black
40	240354408	- B -	Cover-upper hinge, gray
40	240354401	- - C	Cover-upper hinge, white
41	5304500407	A B C	Grommet, shelf mtg
42	240578902	A - -	Screw, hex head, 1/4-20 x 5/8
42	240578907	- B -	Screw, hex head, 1/4-20 x 5/8, gray

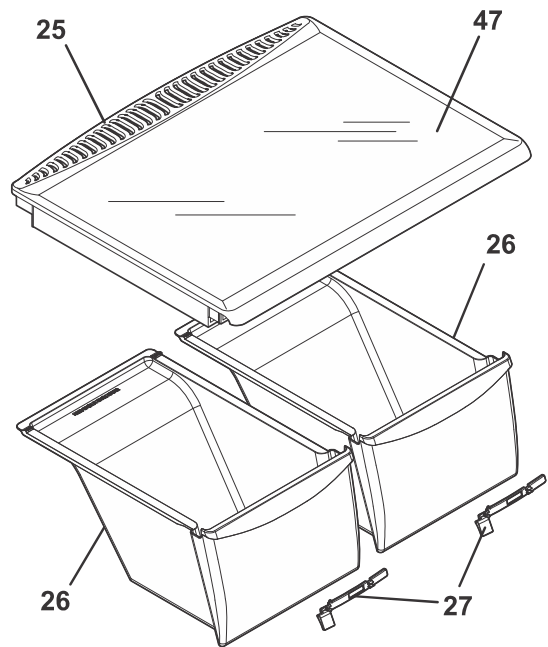
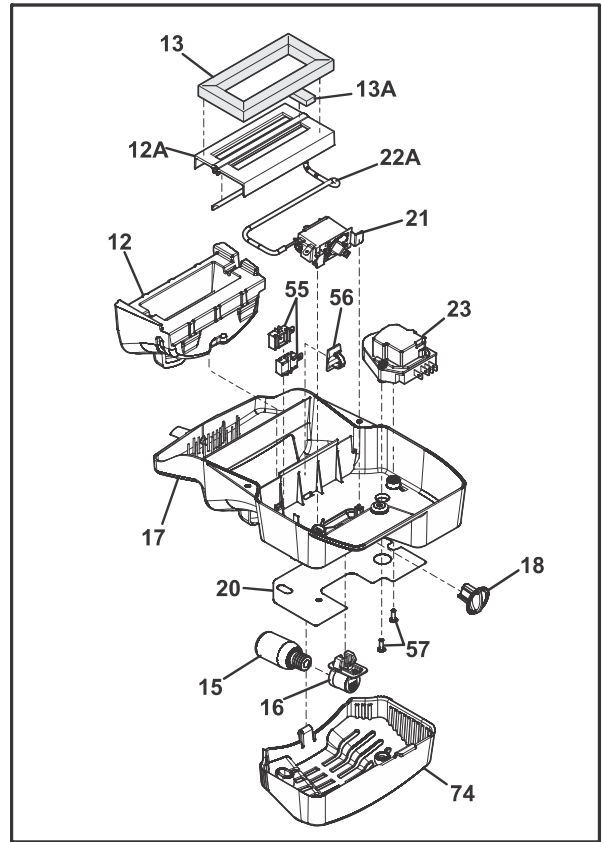
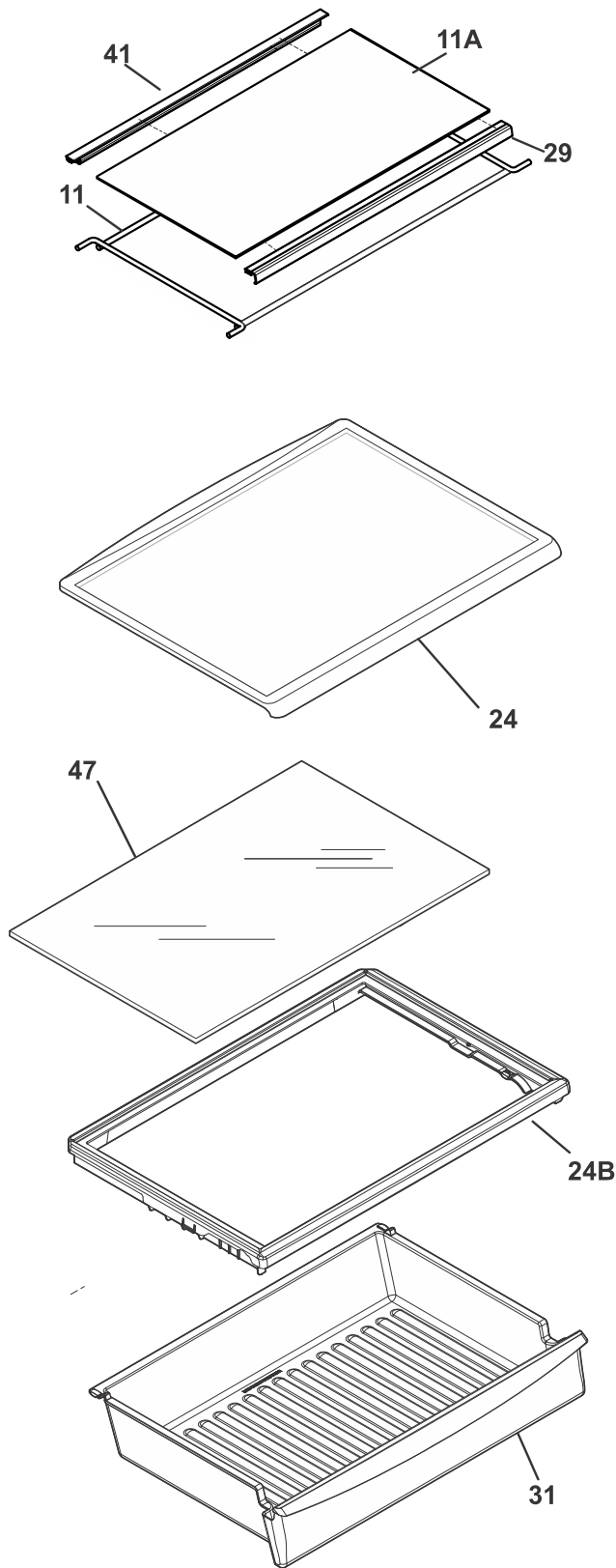


**CABINET**

*Model Index:* A FGHT1842T (FGHT1842TE0)  
 B FGHT1842T (FGHT1842TF0)  
 C FGHT1842T (FGHT1842TP0)

POS. NO	PART NO.		DESCRIPTION
42	240578904	- - C	Screw, hex head, 1/4-20 x 5/8, white
43	5304499445	A B C	Roller Assy, front, (2)
56	240516502	A B C	Pin-lower hinge
58	240433204	A B C	Screw, hex washer head, 8-18 x 5/16
59	240442707	A - -	Screw-#10-32 X 3/4, black
59	240442709	- B -	Screw-#10-32 X 3/4, gray
59	240442708	- - C	Screw-#10-32 X 3/4, white
62	5304498948	A B C	Bracket, anti tip, black
63	5304498951	A B C	Screw, leveling foot, plastic, adjustable
72	5304498916	A - -	Toe Grille, front, black
72	5304498917	- B -	Toe Grille, front, gray
72	5304498915	- - C	Toe Grille, front, white
72A	5304498920	A - -	Cover, lower hinge, black, LH
72A	5304498922	- B -	Cover, lower hinge, gray, LH
72A	5304498918	- - C	Cover, lower hinge, white, LH
72B	5304498921	A - -	Cover, lower hinge, black, RH
72B	5304498923	- B -	Cover, lower hinge, gray, RH
72B	5304498919	- - C	Cover, lower hinge, white, RH
81	5304455650	A B C	Screw, hex washer head, 8-15A x 0.625, Low Profile
82	240335202	A B C	Roller, compressor base, rear
83	5304455655	A B C	Rivet, flat head, 1/4 OD x 1-3/4, roller pin
89	241733911	A B C	Cover-access, w/label
89*	241500304	A B C	Screw, hex washer head, 8-18AB x 0.625
92	241710601	A B C	Screw, hex washer hd, 1/4 x 7/8, hinge mtg
*	218843801	A B C	Screw, hex wshr hd, 8-15A x 0.500
*	218990901	A B C	Clip-wire
*	240494001	A B C	Plug-button, white, cab liner holes

**SHELVES**



**SHFGTR1842TD0**



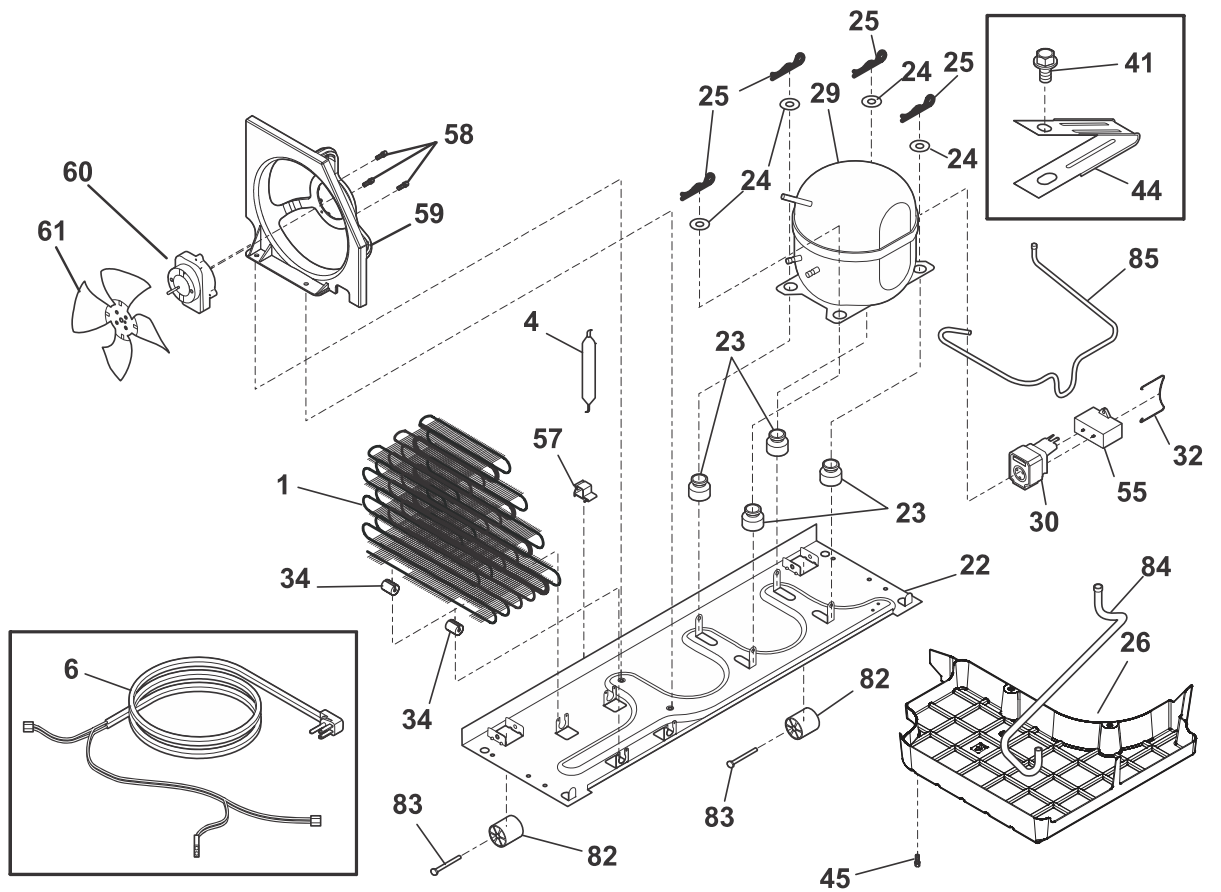
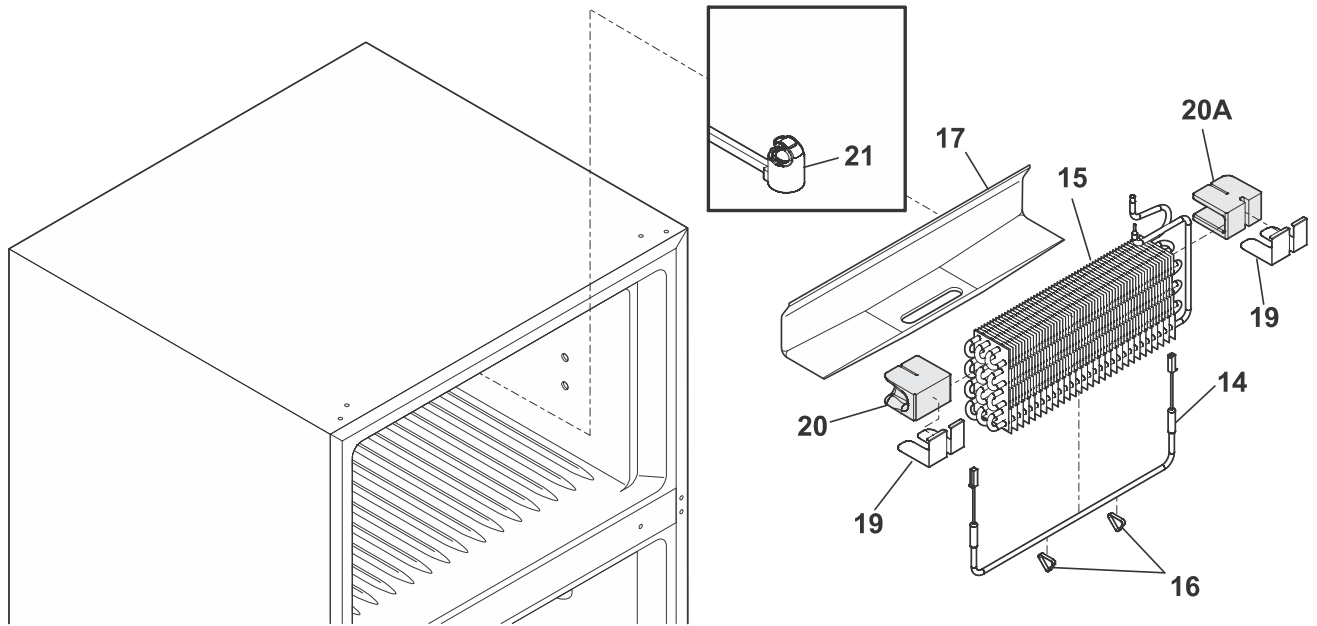
## SHELVES

---

*Model Index:* A FGHT1842T (FGHT1842TE0)  
 B FGHT1842T (FGHT1842TF0)  
 C FGHT1842T (FGHT1842TP0)

POS. NO	PART NO.		DESCRIPTION
11	242087802	A B C	Frame-shelf, full width
11*	5303299664	A B C	Spacer, shelf
11A	242087902	A B C	Glass-shelf, full shelf
12	5304511163	A B C	Diffuser-air
12A	5304511164	A B C	Plate Diffuser
13	242240603	A B C	Gasket Seal
13A	240346712	A B C	Foam Tape
15	5304498578	A B C	Light Bulb, LED
16#	240590403	A B C	Socket-light
17	530451165	A B C	Control Box Housing
18	240360801	A B C	Knob, temp control
20	5304511166	A B C	Heat Shield
21	241537107	A B C	Control Cold Foshan
22A	240468203	A B C	Sleeve-Plastic
23	241705102	A B C	Timer-defrost
24	240358925	A B C	Shelf-"Spill-Safe", sliding
24B	242218602	A B C	Cover, deli pan, full width, w/slide
25	242201802	A B C	Cover-crisper pan
26	242218505	A B C	Pan, crisper, (2), w/humid cntl
26*	240349801	A B C	Clip-slide, pan
27	242215902	A B C	Slide, humidity contrl
29	242110901	A B C	Trim-shelf, front
31	242322201	A B C	Meat Pan, FW pantry, w/slide clips
41	242111001	A B C	Trim-shelf, rear
47	240350608	A B C	Insert-pan cover, 23.82" x 15.50", glass
55	530451167	A B C	Holder, electronic test
56	218515401	A B C	Clip-grille
57	5304455649	A B C	Screw, pan hd, 6-20 x 0.438
74	5304511168	A B C	Light Shield
*	5304512149	A B C	LABEL-ENERGY/ENERGUIDE

**SYSTEM**



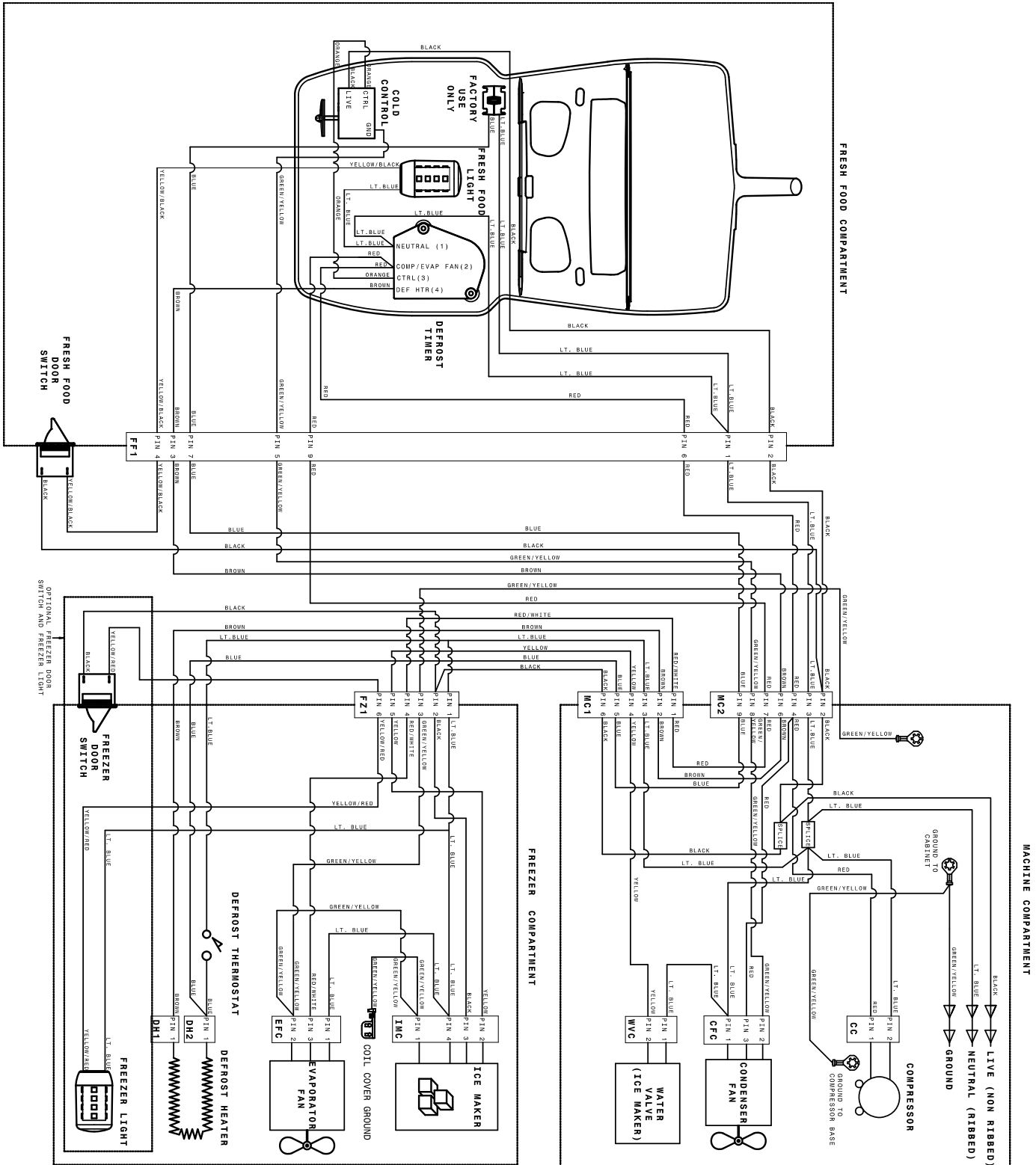
**SYCRT182Q4A**

**SYSTEM**

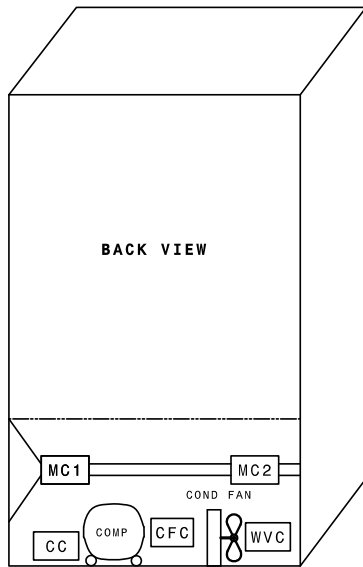
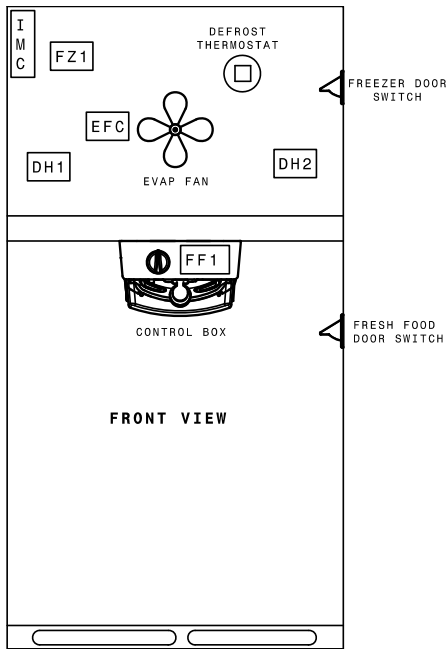
*Model Index:* A FGHT1842T (FGHT1842TE0)  
 B FGHT1842T (FGHT1842TF0)  
 C FGHT1842T (FGHT1842TP0)

POS. NO	PART NO.		DESCRIPTION
1 #	5304502821	A B C	Condenser, high efficiency
4 #	242190205	A B C	Dryer-filter, w/process tube
6	241872714	A B C	Harness, wiring, machine compt.
14	242044008	A B C	Heater-defrost
15 #	5303918274	A B C	Evaporator Kit
16	5308000110	A B C	Strap-evap/heater, aluminum, (2)
17	241801301	A B C	Trough-drain
19	242320401	A B C	Shield, heat, evap block
20	242238401	A B C	Block, evaporator, RH
20A	242238301	A B C	Block, evaporator, LH
21 #	5303918634	A B C	Thermostat Kit, defrost, w/connector
22	241665606	A B C	Base-compressor, w/rollers
22*	218252201	A B C	Screw, #8 truss hd, 10-32CA x 0.500
23	218513300	A B C	Grommet-compr mtg, (4)
24	241812301	A B C	Washer-compr mtg
25	242037701	A B C	Clip-compressor mtg
26	241920605	A B C	Pan-defrost
29 #	240550940	A B C	Compressor, w/o electricals
30 #	241941005	A B C	Starter
32	297030500	A B C	Clamp, elec cont mtg, compressor
34	240405201	A B C	Grommet, rubber, black, cond tube/wire
41	240433204	A B C	Screw, hex washer head, 8-18 x 5/16
44	5304456288	A B C	Clamp-wiring harness, strain relief, galv steel
45	241500304	A B C	Screw, hex washer head, 8-18AB x 0.625
55	297286803	A B C	Capacitor-run
57	240542601	A B C	Clip-wiring harness
58	240569202	A B C	Screw, 8-18 X .500
59	242050604	A B C	Shroud, Condenser Fan
59*	240346701	A B C	Tape-foam seal, shroud
59*	240359403	A B C	Screw-fan shroud, (2)
60 #	297279502	A B C	Motor-condenser fan
61	241639502	A B C	Blade-condenser fan
82	240335202	- - -	Roller, compressor base, rear
83	5304455655	A B C	Rivet, flat head, 1/4 OD x 1-3/4, roller pin
84	240500801	A B C	Tube-drain, rubber, lower
85	5304502967	A B C	Tube-connector, suction
* #	5303918222	A B C	Hot Tube Repair Kit, service
* #	5303918263	A B C	Heat Exchanger Kit, suction line

WIRING SCHEMATIC



**WIRING DIAGRAM**



INLINE CONNECTOR ABBREVIATION KEY	
ABBREVIATION	EXPLANATION
MC1	6 PIN CONNECTION LEFT OF COMPRESSOR IN MACHINE COMPARTMENT
MC2	9 PIN CONNECTION RIGHT OF COMPRESSOR IN MACHINE COMPARTMENT
FF1	9 PIN CONNECTION IN FRESH FOOD
CC	2 PIN CONNECTION TO COMPRESSOR
CFC	3 PIN CONNECTION TO CONDENSER FAN
WVC	2 PIN CONNECTION TO ICE MAKER WATER VALVE (GREEN)
IMC	ICE MAKER CONNECTION IN FREEZER
FZ1	6 PIN CONNECTION IN FREEZER
EFC	EVAPORATOR FAN CONNECTION IN FREEZER
DH1	DEFROST HEATER CONNECTION IN FRZ LEFT OF EVAP FAN
DH2	DEFROST HEATER CONNECTION IN FRZ RIGHT OF EVAP FAN

