



Job Name:	
Job Location:	
Engineer:	
Contractor:	
Tag:	
PO#:	
Rep:	
Wholesale Dist.:	

DESCRIPTION

The Apollo® LD141/WD141 Series Ductile Iron Butterfly Valves are ideal for use in Industrial and Commercial/HVAC/Mechanical applications. The WD141 Series is a wafer style valve and the LD141 Series is a companion lug style. Available in sizes 2" - 24" lug and 2" - 12" wafer. Contact customer support for lug sizes 28" - 48".

FEATURES

- Compatible with ANSI 125# & 150# Flanges
- ISO 5211 Top Plate Allows Choice of Apollo® Pneumatic Actuators and Gear Operators
- Conforms to MSS SP-67 & API 609
- LD141 Series Suitable for End of Line Service (Bidirectional Dead End Service) to Rated Pressure (2"-24")
- 3" - 24" meet performance requirements of AWWA C-504

PERFORMANCE RATING

- Pressure Rating: 2" to 12": 200 psi
14" to 24": 150 psi

APPROVALS

- NSF/ANSI 372 - Lead Free
- NSF/ANSI 61 - Water Quality*
- CRN: OC/2102CL
- MSS SP67-2002a

*applies to bronze and stainless steel disc models

OPTIONS

- -SF: Silicone Free (Available)

MATERIAL OPTIONS

BODY

- Ductile Iron ASTM A536, (65-45-12)

DISC MATERIAL

- Aluminum Bronze (2"-20" Only)
- Ductile Iron A536 Nickel Plated
- 316 Stainless Steel, CF8M (priced at Al/Brz cost)

SEAT MATERIAL

- EPDM*: -20°F to 250°F Intermittent
- BUNA-N: 10°F to 180°F

*Peroxide Cured EPDM

OPERATOR

- (-0) None
- (-1) 10 Position Handle
- (-2) Gear Operator (12" Handwheels)
- (-3) Infinite Position Handle
w/ Optional Memory Stop
- (-4) Locking Handle
- (-5) Gear Operator w/ Chain Wheel
- (-7) Locking Gear Operator
- (-8) Locking Gear Operator w/ Chain Wheel

STANDARD MATERIAL LIST

BODY	Ductile Iron ASTM A536
BUSHINGS	Glass Reinforced Epoxy Resin
STEM SEAL	Buna-N
SHAFT	416 SS ASTM A276 Type 416 (Standard) 316 SS ASTM A276 Type 316
SEAT	Peroxide Cured EPDM Buna-N (Nitrile)
DISC	Aluminum Bronze (2"-20") Ductile Iron / A536 Nickel Plated 316 Stainless Steel / CF8M

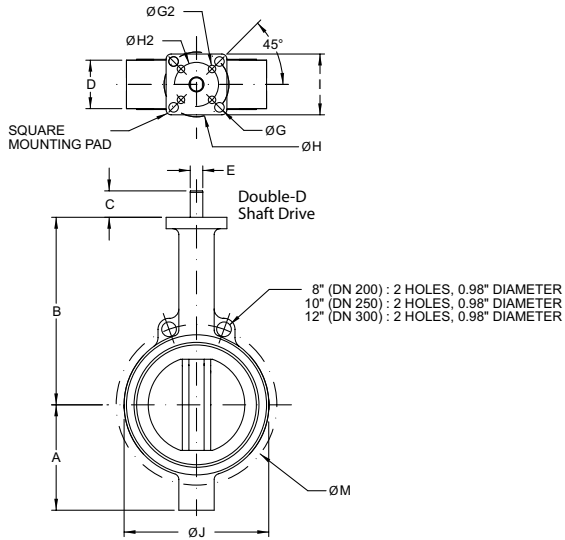
SPECIFICATIONS

VALVE SIZE		TORQUE RATING *(IN-LB)				FLOW C _v FULL OPEN	WEIGHT (LB)		GEAR RATIO
		FULL RATED PRESSURES (PSI)					WD141	LD141	
IN.	MM	ΔP 50	ΔP 100	ΔP 150	ΔP 200				
2	50	100	106	111	117	115	6	9	30:1
2.5	65	150	163	176	189	196	8	10	30:1
3	80	207	220	232	244	302	9	11	30:1
4	100	290	323	357	390	600	11	18	30:1
5	125	423	481	540	598	1022	15	22	30:1
6	150	599	691	783	875	1579	18	26	30:1
8	200	1060	1183	1307	1430	3136	32	43	50:1
10	250	1671	1872	2074	2275	5340	47	66	50:1
12	300	2568	2795	3023	3250	8250	-	102	50:1
14	350	2640	3070	3500	N/A	11917	-	148	50:1
16	400	4260	4880	5500	N/A	16388	-	200	80:1
18	450	6287	7243	8200	N/A	21705	-	277	80:1
20	500	8360	9180	10000	N/A	27908	-	410	300:1
24	600	15427	16813	18200	N/A	43116	-	592	300:1

*Lubricating Media Surface

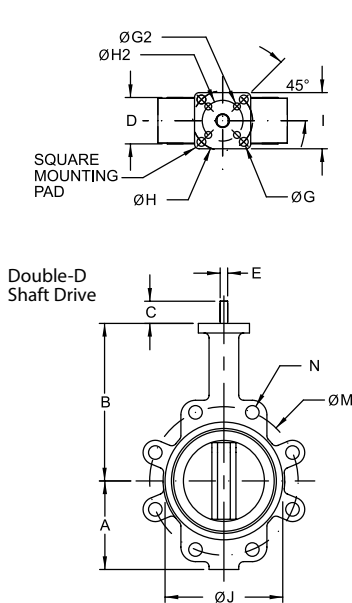
*LEAD FREE: The wetted surfaces of this product shall contain no more than 0.25% lead by weighted average. Complies with Federal Public Law 111-380. ANSI 3rd party approved and listed.

WD MODEL 2" - 12"

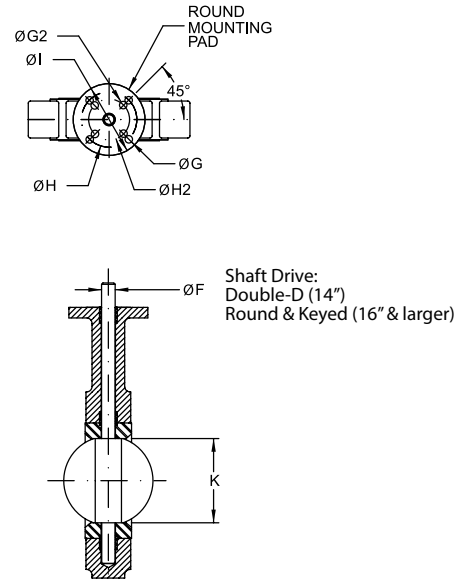


LD MODEL

2" - 12"



14" - 24"



DIMENSIONS

SIZE (IN.)	SIZE DN	DIMENSIONS (IN.)																	
		A	B	C	D	E	ØF	ØG	ØG2	KEY	ØH	ØH2	I	ØJ	K	DISC CHORD	M	N (WD)	N (LD)
2	50	3.25	6.375	1.25	1.75	0.394	0.496	0.375	--	--	2.756	--	2.699	4	2.09	1.113	4.75	0.688	.625-11
2.5	65	3.75	6.880	1.25	1.88	0.394	0.496	0.375	--	--	2.756	--	2.699	4.75	2.54	1.706	5.50	0.688	.625-11
3	80	4.00	7.130	1.25	1.88	0.394	0.496	0.375	--	--	2.756	--	2.699	5.13	3.09	2.450	6.00	0.688	.625-11
4	100	4.88	7.880	1.25	2.13	0.472	0.621	0.375	--	--	2.756	--	2.699	6.75	4.09	3.488	7.50	0.688	.625-11
5	125	5.38	8.380	1.25	2.25	0.551	0.745	0.375	--	--	2.756	--	2.699	7.75	4.85	4.296	8.50	0.813	.750-10
6	150	5.88	8.880	1.25	2.25	0.551	0.745	0.375	--	--	2.756	--	2.699	8.63	6.13	5.697	9.50	0.813	.751-10
8	200	7.13	10.250	1.75	2.50	0.669	0.870	0.563	0.438	--	4.921	4.015	4.606	10.56	7.89	7.468	11.75	0.813	.750-10
10	250	8.25	11.500	1.88	2.75	0.866	1.120	0.563	0.438	--	4.921	4.015	4.606	13.06	9.89	9.484	14.25	0.938	.875-9
12	300	9.75	13.250	1.88	3.13	0.945	1.244	0.563	--	--	4.921	--	4.606	16	11.89	11.456	17.00	0.938	.875-9
14*	350	11.00	14.500	1.88	3.13	0.945	1.244	0.563	--	--	4.921	--	Ø5.91	17.13	13.38	13.000	18.75	1.060	1.00-8
16*	400	12.00	15.750	2.00	3.50	--	1.313	0.563	--	0.313	4.921	--	Ø5.91	20	15.38	14.970	21.25	1.060	1.00-8
18*	450	14.38	16.630	2.00	4.25	--	1.500	0.813	--	0.375	6.496	--	Ø8.27	21.38	17.38	16.847	22.75	1.250	1.125-7
20*	500	14.63	18.880	2.50	5.25	--	1.625	0.813	--	0.375	6.496	--	Ø8.27	23.31	19.38	18.650	25.00	1.250	1.125-7
24*	600	18.00	22.130	2.75	6.13	--	2.000	0.813	--	0.500	6.496	--	Ø8.27	27.88	23.38	22.558	29.50	1.380	1.25-7

* LD141 Series Only

PART NUMBER MATRIX (2" - 24") For valves 28"-48", reference SS1187

LD	141	06	B	E	1	1 -A (LD ONLY)
MODEL	SERIES	SIZE (IN.)	DISC MATERIAL	SEAT MATERIAL	SHAFT	OPERATOR
LD - LUG BODY	141 - APOLLO INTERNATIONAL™ (DUCTILE IRON)	02 - 2"	B - ALUMINUM BRONZE**	E - BLACK EPDM -20° F TO 250° F -29° C TO 121° C	1 - 416 SS (STANDARD)	0 - BARE SHAFT
WD - WAFER BODY	145 - ASSEMBLED & TESTED IN USA (DUCTILE IRON)	25 - 2.5"	D - DUCTILE IRON A536 NICKEL PLATED			2 - 316 SS
		03 - 3"	S - STAINLESS STEEL, CF8M	N - BLACK BUNA-N 10° F TO 180° F -12° C TO 82° C		2 - GEAR OPERATOR - DIRECT MOUNT
		04 - 4"				3 - INFINITE POSITION HANDLE
		05 - 5"		V - BLACK VITON® B* -20° F TO 300° F -29° C TO 149° C (145 SERIES ONLY)		4 - LOCKING HANDLE
		06 - 6"				5 - GEAR OPERATOR W/ CHAINWHEEL
		08 - 8"				7 - LOCKING GEAR OPERATOR
		10 - 10"				8 - LOCKING GEAR OPERATOR W/CHAINWHEEL
		12 - 12"				-SF - SILICONE FREE ASSEMBLY
	141 - SIZES 14"- 24"	14 - 14"				
		16 - 16"				
		18 - 18"				
	NOTE: LD-141 LUG STYLE ONLY	20 - 20"				
		24 - 24"				

Certification - Product complies with NSF/ANSI 372 and NSF/ANSI 61 lead content requirements.

*NSF 61 does not apply to ductile iron disc

**Aluminum/Bronze Disc Available on 2"-20" only.

*Viton is primarily used for process applications, and has not been included in the scope of our Lead Free approvals

EXAMPLE:

WD141-06-BE-11 = 6" WD141 Series, Ductile Iron Wafer Body, Aluminum Bronze Disc, Black EPDM Seat, 416 SS Shaft with 10 Position Handle