

Accessories Miscellaneous Accessories

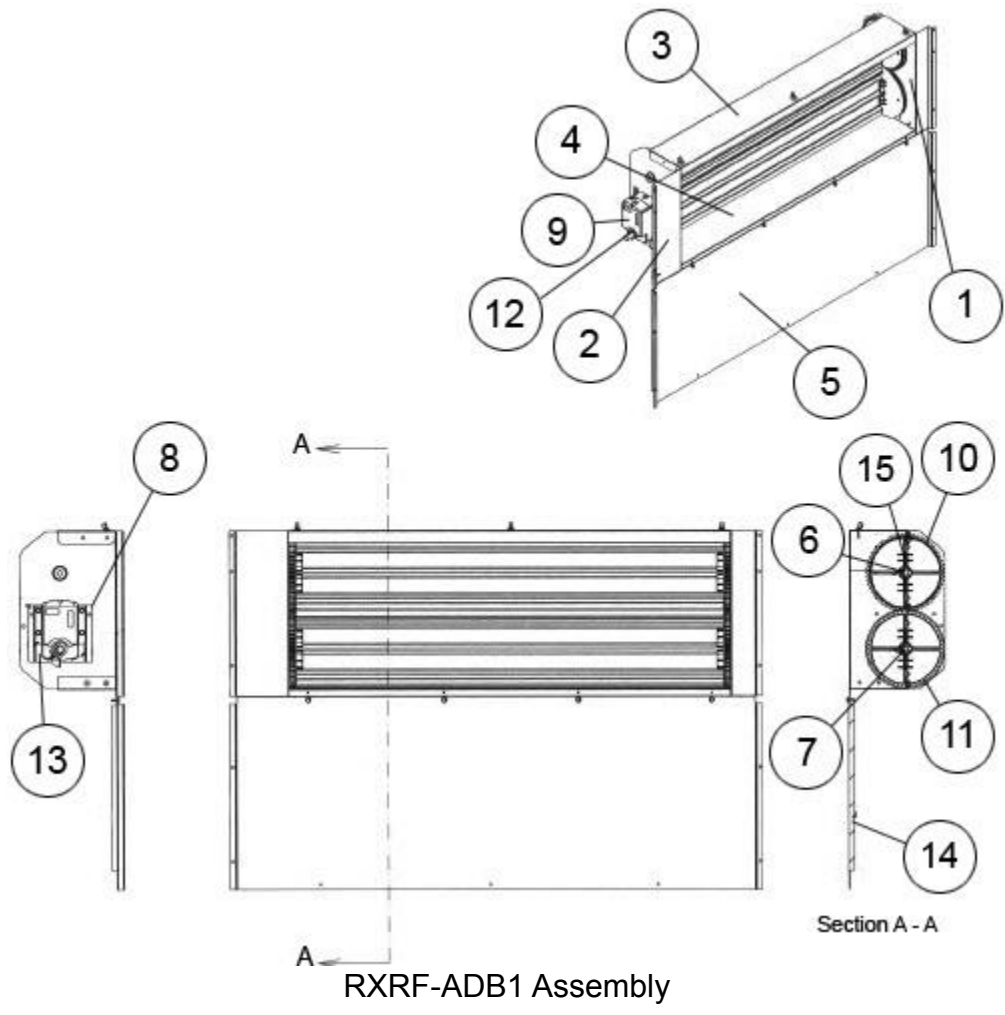


RXRF-ADB1

Parts List
15-March-2019

*This parts list is current as of the above revision date.
See <http://www.rheempartslists.net/92-42800-RXRF-ADB1.pdf> for the current revision.*

No.	Notes	Part Description	Part No.
1		Right Side Enclosure	PD955787
2		Left Side Enclosure	PD955788
3		Top Side Enclosure	PD955789
4		Bottom Side Enclosure	PD955790
5		Blank-Off Panel	PD555455
6		Blade A	PD955791
7		Blade B	PD955792
8		Actuator Mount	PD512810
9		Actuator	PD512811
10		Male Gear (2)	PD955793
11		Female Gear (2)	PD955794
12		Drive Pin, 1/2" x 3/8" x 4-1/4"	PD966374
13		Actuator Bracket	PD512812
14		Insulation	PD687035
15		Seal, Bulb, Blade Edge - 33-7/16" (3)	PD955795
		Wiring Harness	PD455654
		Left Hood Side	PD955779
		Right Hood Side	PD955780
		Hood Divider	PD955781
		Hood Angle	PD955786
		Front Support Bracket	PD955782
		Filter (2)	PD566613
		Filter Reverse Clip (2)	PD566615
		Hardware Bag, Rheem Hood	PD955783



RXRF-ADB1 Assembly