



The new degree of comfort.™



Commercial 7.5-10 Ton Renaissance™ Line Package Heat Pump



RHPDZT Commercial *Prestige*® Series

Nominal Sizes 7.5, 8.5 & 10 Tons
Standard VFD Technology
ASHRAE 90.1-2013 Compliant Models

RHPDZS Commercial *Classic Plus*® Series

Nominal Sizes 7.5, 8.5 & 10 Tons
Optional VFD Technology
ASHRAE 90.1-2007 Compliant Models
ASHRAE 90.1-2013 Compliant Models

RHPDZR Commercial *Classic*® Series

Nominal Sizes 7.5, 8.5 & 10 Tons
ASHRAE 90.1-2007 Compliant Models



TABLE OF CONTENTS

Unit Features and Benefits	3-10
Model Number Identification	11
Options	12
Selection Procedure	13
General Data	
ZR Series	14-20
ZS Series	21-32
ZT Series.....	33-37
General Data Notes	38
Gross Systems Performance Data	
ZR Series	39-44
ZS Series	45-50
ZT Series.....	51-56
Airflow Performance Data	57-68
Electrical Data	
ZR Series	69-71
ZS Series	72-78
ZT Series.....	79-81
Electric Heater Kits.....	82-94
Dimensional Data	95-97
Field Installed Accessories.....	98-120
Guide Specifications	121-126
Limited Warranty	127



	Single-Stage Cooling	Two-Stage Cooling	2018 DOE Efficiency Standards Compliant	2023 DOE Efficiency Standards Compliant	VFD Technology
<i>Commercial Prestige® Series (RHPDZT)</i>		X	X	X	X
<i>Commercial Classic Plus® Series (RHPDZS)</i>		X	X		X (Optional)
<i>Commercial Classic® Series (RHPDZR)</i>	X		X		Not Available

RHPD STANDARD FEATURES INCLUDE:

- Factory charged with R-410A HFC refrigerant
- Wired and run tested
- Scroll compressors with internal line break overload and high pressure protection
- Model RHPDZR has a single-stage compressor
- Models RHPDZS and RHPDZT have two-stage compressor
- Convertible airflow – vertical down flow or horizontal side flow
- Forkable base rails for easy handling and lifting
- Cooling operation up to 125°F ambient
- MicroChannel evaporator and condenser coil
- PlusOne® ServiceSmart package includes:
 Qwik-Change Flex-Fit Rack
 Qwik-Slide Blower Assembly
 Qwik-Clean Drain Pan
- Overflow condensate sensor
- PlusOne® Diagnostics with Dual 7-Segment LED Display to meet code compliance
- One-piece top cover and base pan with drawn supply and return opening
- Two-piece control door
- ¼ turn fasteners on filter access door
- Color-coded and labeled wiring
- External lockable gauge ports
- TXV refrigerant metering system
- Solid-core liquid line filter drier
- High pressure and low pressure/loss of charge protection with built in Smart Logic
- Insulation encapsulated throughout entire unit
- High performance belt drive motor with variable pitch pulleys and quick adjust belt system
- Variable Frequency Drive (VFD) blower is standard on Model RHPDZT and optional on model RHPDZS
- New product footprint with matching connections
- Improved factory lead times



FACTORY INSTALLED OPTIONS:

- Louvered panels
- Hinged access doors
- Low ambient/freeze stat
- Non-powered convenience outlet
- Economizer (Title 24 and ASHRAE 90.1 2013 Compliant)
- Supply and return smoke detector

- Return smoke detector
- ElectroFin® E-Coat for Microchannel Condenser Coil
- ClearControl™ Direct Digital Control (DDC)
- Comfort Alert/Phase monitor
- Vertical economizer

FIELD INSTALLED ACCESSORY EQUIPMENT:

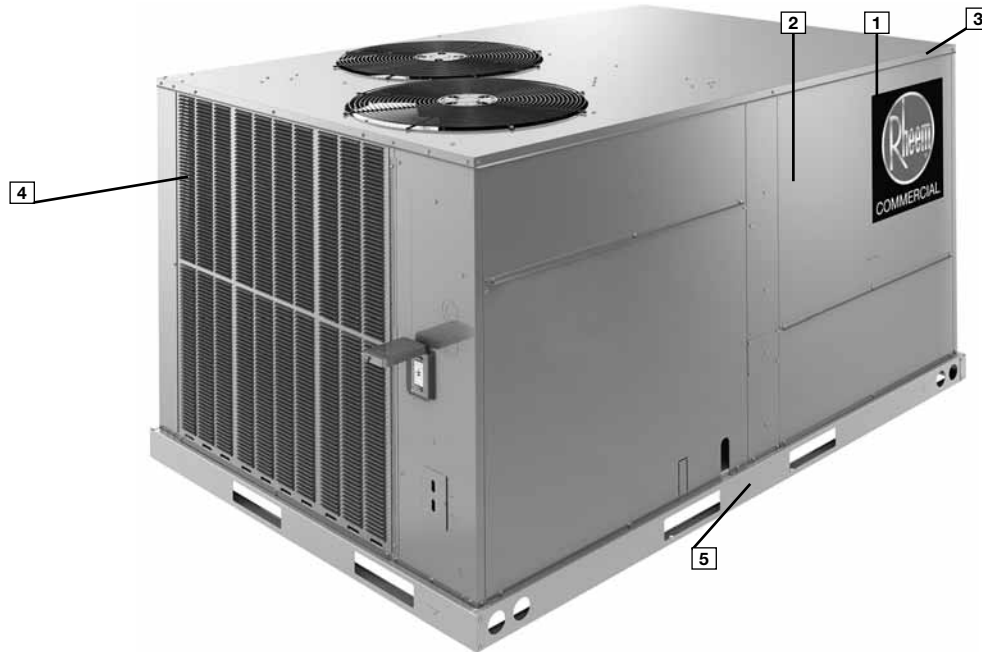
Accessory	Model Number	Factory Installation Available?
Economizer w/Single Enthalpy (Downflow)	RXRD-01MDDAM3	Yes
Economizer w/Single Enthalpy (Horizontal)	RXRD-01MDHAM3	No
Economizer-w/Single Enthalpy (Downflow) DDC	RXRD-01MDDBM3	Yes
Economizer w/Single Enthalpy (Horizontal) DDC	RXRD-01MDHBM3	No
Dual Enthalpy Kit	RXXR-BV01	No
Dual Enthalpy Kit DDC	RXXR-BV02	No
Carbon Dioxide Sensor (Wall Mount)	RXXR-AR02	No
Power Exhaust	RXXR-CDF01C	No
Power Exhaust	RXXR-CDF01D	No
Manual Fresh Air Damper	RXRF-ADA1	No
Motorized Fresh Air Damper	RXRF-ADB1	No
Motorized Fresh Air Damper (DDC)	RXRF-ADC1	No
Roofcurb, 14"	RXKG-DDD14	No
Roofcurb, 24"	RXKG-DDD24	No
Roofcurb Adapter	RXXR-DDCAE	No
Concentric Diffuser 7.5/8.5 Ton Flush	RXXR-AEF2000	No
Concentric Diffuser 10.0 Ton Flush	RXXR-AEF3415	No
Concentric Diffuser 12.5 Ton Flush	RXXR-AEF3618	No
Concentric Diffuser 7.5/8.5 Ton Drop	RXXR-AED2000	No
Concentric Diffuser 10.0 Ton Drop	RXXR-AED3415	No
Concentric Diffuser 12.5 Ton Drop	RXXR-AED3618	No
Concentric Adapter 7.5/8.5 Ton Drop	RXMC-DD01	No
Concentric Adapter 10 Ton Drop	RXMC-DD02	No
Concentric Adapter 12.5 Ton Drop	RXMC-DD03	No
Outdoor Coil Louver Kit - ACD/090/102/120	RXXR-ADD04A	Yes
Outdoor Coil Louver Kit - ACD150	RXXR-ADD04B	Yes
Unwired Convenience Outlet	RXXR-BN01	Yes
Unfused Service Disconnect	RXXR-BP01	Yes
Comfort Alert (1 Per Compressor)	RXXR-AZ01 DDC	Yes
Comfort Alert (1 Per Compressor)	RXXR-AZ02	Yes
BACnet Communication Card	RXXR-AY01	No
LonWorks Communication Card	RXXR-AY02	No

*See single point wiring kit model nomenclature on page 100.

*Variable Frequency Drive Kit model nomenclature on page 100.

Accessory	Model Number	Factory Installation Available?
Room Humidity Sensor	RHC-ZNS4	No
Room Temperature and Relative Humidity Sensor	RHC-ZNS5	No
Low-Ambient Control Kit	RXRZ-A04	Yes
Freeze Stat Kit	RXXR-AM01	Yes
Variable Frequency Drive Kit* <small>*See model number break down below</small>	RXXR-AC02	No
	RXXR-AC03	No
	RXXR-AC05	No
	RXXR-AD02	No
	RXXR-AD03	No
	RXXR-AD05	No
	RXXR-CC02	No
	RXXR-CC03	No
	RXXR-CC05	No
	RXXR-CD02	No
	RXXR-CD03	No
	RXXR-CD05	No
Electric Heater Kits	RXJJ-DD10CP	Yes
	RXJJ-DD15CP	Yes
	RXJJ-DD20CP	Yes
	RXJJ-DD30CP	Yes
	RXJJ-DD40CP	Yes
	RXJJ-DD10DNV	Yes
	RXJJ-DD15DNV	Yes
	RXJJ-DD20DNV	Yes
	RXJJ-DD30DNV	Yes
	RXJJ-DD40DNV	Yes
Single Point Wiring Kit*	RXJX-AC0605	No
	RXJX-AC0805	No
	RXJX-AD0405	No
	RXJX-AD0605	No
	RXJX-AD0409	No
	RXJX-AC0909	No
RXJX-AD0609	No	





Cabinet and Foundation

Outwardly, the large *Rheem® Commercial Series* label (1) identifies the brand to the customer. The sheet-metal cabinet (2) uses 18-gauge material for structural components with an underlying coat of G90. To ensure the leak-proof integrity of these units, the design utilizes a one-piece top with a 1/8" drip lip (3) as well as gasket-protected panels and screws. The Rheem hail guard (optional) (4) sets the standard for coil protection in the industry. Electro deposition, baked-on enamel that is tested to withstand a rigorous 1000-hour salt spray test, per ASTM B117.

Anything built to last must start with the right foundation. Following that model, the foundation is comprised of 14-gauge, commercial-grade, full perimeter base rails (5) that integrate fork slots and rigging holes to save set-up time on the job site.

Easy Installation

The Renaissance line features a new footprint that simplifies the replacement process by eliminating the need for a new curb adapter and being able to match inlet, outlet and electrical connections of the most common/industry-standard configurations.

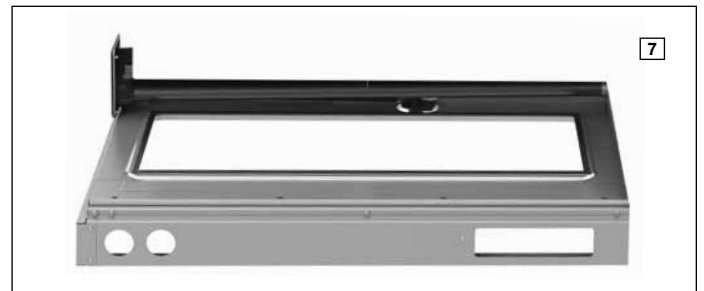
Base Pan

The base pan is stamped to form a 7/8" flange around the supply and return cover, which eliminates the worry of water entering the conditioned space (6). All insulation is secured with both adhesive and mechanical fasteners, and all edges are hidden.



Drain Pan

The Qwik-Clean Drain Pan™ (7) is made from a composite material that resists the growth of harmful bacteria. With both side and center drain options, the drain pan slides out completely for easy cleaning. It also features a standard overflow switch.



Test Standards

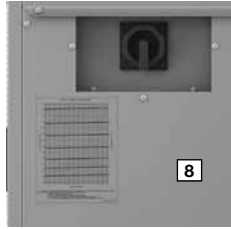
During development, each unit was tested to U.L. 1995, AHRI 340-360 as well as other Rheem-required reliability tests. Rheem adheres to stringent ISO 9002 quality procedures, and each unit bears the U.L. and AHRI certification labels located on the unit nameplate. Contractors can be assured that when a Rheem package unit arrives at the job, it is ready to go with a factory charge and quality checks. Each unit also proudly displays the "Made in the USA" designation.

Easy Access

All major compartments are easily accessible from the front of the unit: the electrical compartment, blower compartment, heating section, and outdoor section. Each compartment has mechanical fasteners. Panels are permanently embossed with the compartment name (e.g. control/filter access, blower access, and electric heat access). The filter compartment is accessed through a large, mechanically fastened panel. Information is readily available on the outside of the panel, with a nameplate that contains the model and serial numbers, electrical data, and other important unit information. Hinged access is available as an option for the electrical, blower, and filter compartments.

Charging Charts, Wiring Diagrams, & Labels

The unit charging chart is located on the outside of the compressor access panel. Electrical wiring diagrams are found on the control box cover, which allows contractors to move them to more readable locations. The model and serial numbers are located on the right of the control box. Having this information on the inside means easier model identification for the life of the product. The production line quality test assurance label is also placed in this location (8).



Filter Rack

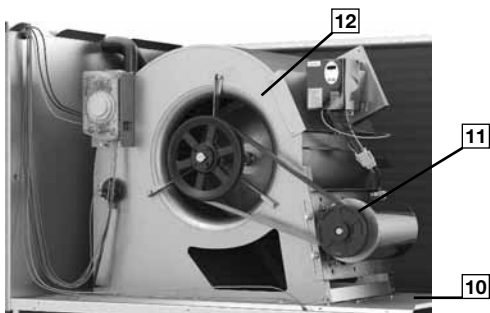
Located within the filter compartment, the Qwik-Change Flex-Fit Rack™ (9) allows easy changeover between 2" and 4" standard size and readily available filters.



Blower Assembly

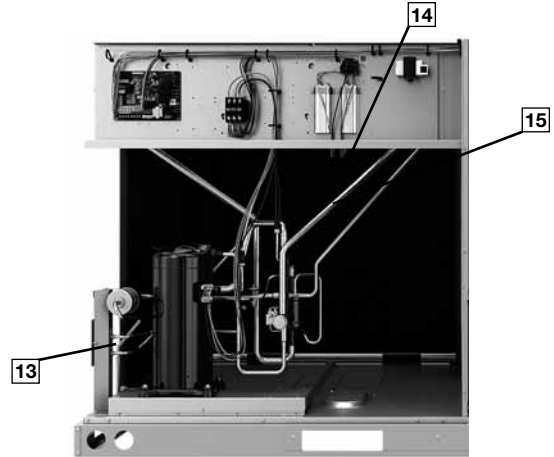
Removing three screws provides full access to the blower compartment. Inside, the Qwik-Slide Blower Assembly™ (10) is incredibly easy to access and remove. This makes servicing internal components such as blower motor, TXV, and microchannel coil much easier. The entire assembly slides out by removing the 3/8" screws from the blower retention bracket. The adjustable motor pulley (11) can easily be adjusted by loosening the bolts on either side of the motor mount. Removing the bolts allows for easy removal of the blower pulley by pushing the blower assembly up to loosen the belt. Once the pulley is removed, the motor sheave can be adjusted to the desired number of turns, ranging from 0 to 6 turns open.

Where the demands for the job require high static, Rheem offers drives that deliver nominal airflow up to 2" of static. By referring to the airflow performance tables listed in the installation instructions, proper static pressure and CFM requirements can be dialed in. The scroll housing (12) and blower scroll provide quiet and efficient airflow. The blower sheave is secured by an "H" bushing that firmly secures the pulley to the blower shaft, resulting in years of trouble-free operation. The "H" bushing allows for easy removal of the blower pulley from the shaft. This is an improvement from a set screw, which can score the shaft and create burrs that make blower-pulley removal difficult.



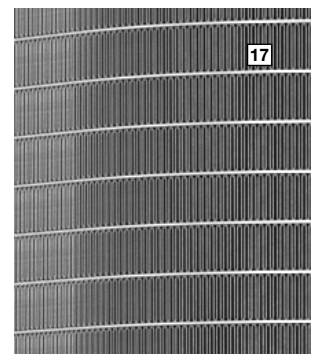
High and Low Pressure Switches & Freeze Stat

High pressure (13) and low pressure (14) switches are standard. They are located in the outdoor section along with the low-ambient control (15). The optional Freeze Stat (16) (standard on models with ClearControl), is clipped onto the suction line in the blower compartment. The low ambient control allows the compressor to operate down to 0 degrees ambient temperature by cycling the outdoor fans on high pressure. The high-pressure switch shuts off the compressors if pressures exceeding 610 PSIG are detected. The low-pressure switch shuts off the compressors if low pressure is detected due to loss of charge. Built-in Smart Logic reduces nuisance calls by only shutting off compressors after the third detection. The freeze stat protects the compressor if the evaporator coil gets too cold (below freezing) due to low airflow.



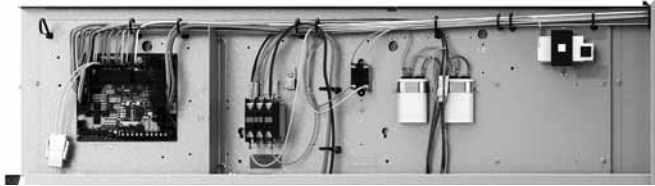
MicroChannel Evaporator & TXV

The Microchannel Evaporator (17) is accessible through the blower compartment, and through the filter rack, to simplify cleaning. The evaporator uses microchannel technology for maximum heat transfer, light weight, fewer manually brazed connections and reduced refrigerant charge. The TXV metering device maintains superheat over a wide range of varying temperatures optimizing unit performance for all conditions.



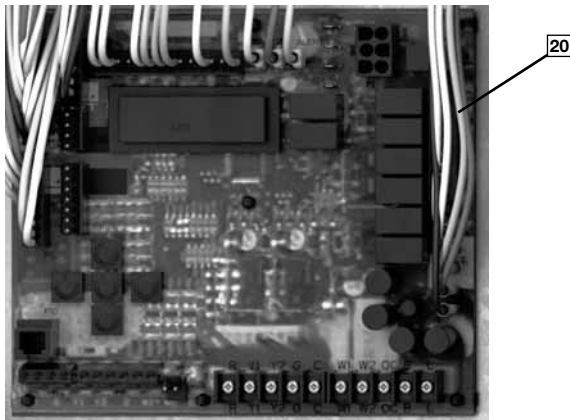
Control Box

Inside the control box (18), each electrical component is clearly labeled; that label matches the component to the wire diagram for ease of trouble shooting. All wiring is numbered on each end of the termination and is color-coded to match the wiring diagram. The control transformer has a low voltage circuit breaker that trips if an electrical short occurs. There is a blower contactor and compressor contactor for each compressor.



ClearControl™

The optional ClearControl™ system consisting of a rooftop unit controller, temperature sensors, and pressure sensors, allows real-time monitoring and communication between rooftop units. The Rooftop Unit Controller (RTU-C) that is factory mounted and wired into the control panel. The RTU-C is a solid-state, micro-processor-based control board that provides flexible control and extensive diagnostics for all unit functions. The RTU-C, using proportional/integral control algorithms, performs specific unit functions that govern unit operation in response to zone conditions, system temperatures, system pressures, ambient conditions, and electrical inputs. The RTU-C features a 16 x 2 character LCD display and a five-button keypad for local configuration and direct diagnosis of the system (20). Features include a clogged filter switch (CFS), fan proving switch (FPS), return air temperature sensor (RAT), discharge air temperature sensor (DAT), and outdoor air temperature sensor (OAT). Freeze sensors (FS) are used in place of freeze stats to allow measurement of refrigerant suction line temperatures.

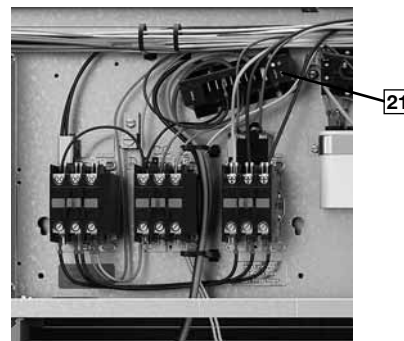


The RHPD with the RTU-C is specifically designed to be applied in four distinct applications:

- 1. BACnet Communication** — The RHPD is compatible with a third party building management system that supports the BACnet Application Specific Controller device profile, with the use of a field installed BACnet Communication Module. The BACnet Communication Module plugs onto the unit RTU-C controller and allows communication between the RTU-C and the BACnet MSTP network. A zone sensor, a BACnet network zone sensor, a BACnet thermostat, or DDC controller may be used to send the zone temperature or thermostat demands to the RTU-C. The BACnet Communication Module is compatible with MSTP EIA-485 daisy chain networks communicating at 38.4 bps. It is compatible with twisted pair, shielded cables.
- 2. LonWorks Communication** — The RHPD is compatible with a third party building management system that supports the LonMark Space Comfort Controller (SCC) functional profile or LonMark Discharge Air Controller (DAC) functional profile. This is accomplished with a field installed LonMark communication module. The LonMark Communication Module plugs onto the RTU-C controller and allows communication between the RTU-C and a LonWorks network. A zone sensor, a LonTalk network zone sensor, or a LonTalk thermostat or DDC controller may be used to send the zone temperature or thermostat demands to the RTU-C. The LonMark Communication Module utilizes an FTT-10A free topology transceiver communicating at 78.8 kbps. It is compatible with Echelon qualified, twisted pair cable, Belden 8471, or NEMA Level 4 cables. The module can communicate up to 1640 feet with no repeater. The LonWorks limit of 64 nodes per segment applies to this device.
- 3. 24V Thermostat Compatibility** — The RHPD is compatible with a programmable 24 volt thermostat. Connections are made via conventional thermostat screw terminals. Extensive unit status and diagnostics are displayed on the LCD screen of the RTU-C.
- 4. Zone Sensor Compatibility** — The RHPD is compatible with a zone sensor and a mechanical or solid state time clock connected to the RTU-C. Extensive unit status and diagnostics are displayed on the LCD screen of the RTU-C.

ComfortAlert®

A factory or field installed Comfort Alert® (21) module is available for power phase-monitoring protection and additional compressor diagnostics. The alarms can be displayed on the RTU-C display, through the (BAS) network, or connected to the “L-Terminal” of a thermostat for notification.





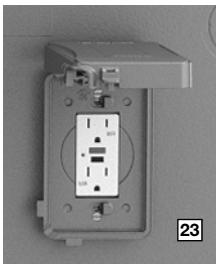
Variable Frequency Drive

The supply fan Variable Frequency Drive (VFD) (22) optimizes energy usage year round by providing a lower speed for first stage cooling operation, improving IEER's over the conventional constant fan system. Operating in the constant fan mode at the reduced speed can use as little as 1/5 of the energy of a conventional constant fan system. Also, by operating at a lower speed on first stage cooling, up to 126% more moisture is removed, improving comfort during low load operation. VFD comes standard in ZT models and is a factory or field installed option in ZS models. The VFD supply fan factory option meets California Title 24 and ASHRAE 90.1-2016 requirements for multi blower speed control. VFD also ramps up to the desired speed, reducing stress on the supply fan components and noise from a sudden inrush of air. Because the airflow is cut in half during first stage cooling and constant fan operation, noise is much less during these modes of operation.



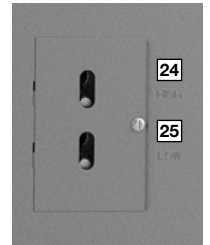
Convenience Outlet

For added convenience in the field, factory-installed option of non-powered convenience outlet (23) is available. Low and high voltage can enter from the side or through the base. Low-voltage connections are made through the low-voltage terminal strip. For ease of access, the U.L.-required low voltage barrier can be temporarily removed for low-voltage termination and then reinstalled. The high-voltage connection is terminated at the number 1 compressor contactor.



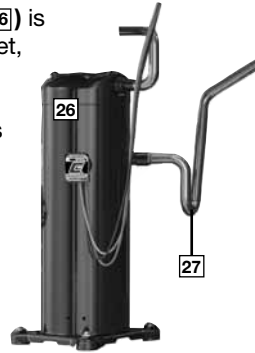
External Lockable Gauge Ports

To the right left of the compressor compartment are the externally mounted lockable gauge ports. They are permanently identified by embossed lettering that identifies the compressor circuit, high pressure connection, (24) and low pressure connection (25). Because the gauge ports are mounted externally, an accurate diagnostic of system operation can be performed without removing access panels. Brass caps on the Schrader fitting ensure the gauge parts are leak proof.



Compressor

The compressor compartment houses the heart-beat of the unit. The scroll compressor (26) is known for its long life and for reliable, quiet, and efficient operation. The suction and discharge lines are designed with shock loops (27) to absorb the strain and stress that the starting torque, steady state operation, and shut-down cycle impose on the refrigerant tubing. ZS and ZT units have two stages of efficient cooling operation in which the first stage is approximately 50% of second stage. Each unit comes standard with a filter dryer.



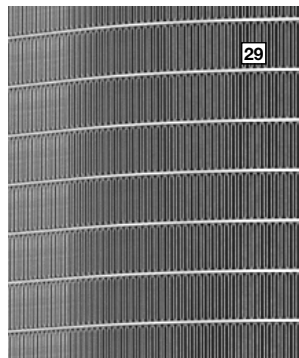
Condenser Fans

The condenser fan motors (28) can easily be accessed and maintained through the top of the unit. A down-mount fan provides corrosion protection and easy removal. The polarized plug connection allows the motor to be changed quickly and eliminates the need to snake wires through the unit.



MicroChannel Condenser Technology

The outdoor coil uses the latest microchannel technology (29) for the most effective method of heat transfer. The outdoor coil is protected by optional louvered panels, which allow unobstructed airflow while protecting the unit from both the environment and vandalism.



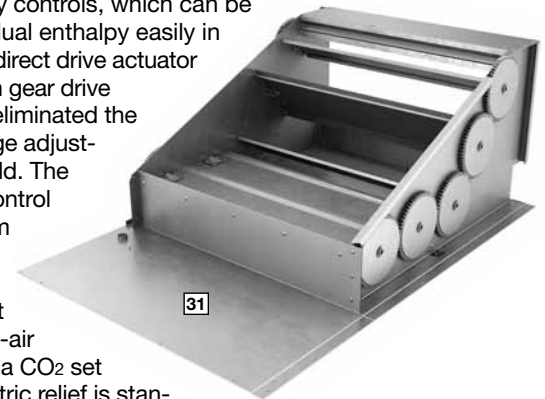
Coil Coating

Every unit offers the option of factory-applied E-Coat condenser coating (30) that delivers superior corrosion resistance for outdoor coils to operate in the harshest of environments.



Economizer and Dampers

Each unit is designed for both down flow or horizontal applications (31) for job configuration flexibility. The return air compartment can also contain an economizer. Each unit is pre-wired for the economizer to allow quick, plug-in installation. Available as a factory-installed option, the economizer provides free cooling when outdoor conditions are suitable and also provides fresh air to meet local requirements. It comes standard with single enthalpy controls, which can be upgraded to dual enthalpy easily in the field. The direct drive actuator combined with gear drive dampers has eliminated the need for linkage adjustment in the field. The economizer control has a minimum position set point, an outdoor-air set point, a mixed-air set point, and a CO₂ set point. Barometric relief is standard on all economizers.



Power Exhaust is easily field-installed. The power exhaust is housed in the barometric relief opening and is easily slipped in with a plugin assembly. The wire harness to the economizer also has accommodations for a smoke detector.

The damper minimum position, actual damper position, power exhaust on/off set point, mixed air temperature limit set point, and Demand Controlled Ventilation (DCV) set point can be read and adjusted at the unit controller display or remotely through a network connection. The Space CO₂ level, mixed air temperature, and Economizer Status (free cooling available, single or dual enthalpy) can be read at the unit controller display or remotely through a network connection. Economizer faults will trigger a network alarm and can be read at the unit controller display or remotely through a network connection.



Roofcurb

The Rheem roofcurb (32) is made for tool-less assembly at the jobsite by engaging tabs in slots of adjacent curb sides, which makes the assembly process quick and easy.



R	HP	D	ZT	090	A	C	F	15	2	A	B	***
1	23	4	56	789	10	11	12	13 14	15	16	17	18 19 20

1 – Brand

R = Rheem

2, 3 – Unit Type

HP = Package Heat Pump

4 – Cabinet Type

D = Medium Commercial

5, 6 – Series

 ZT¹ = Tier 1 (*Commercial Prestige® Series*)

 ZS² = Tier 2 (*Commercial Classic Plus® Series*)

 ZR³ = Tier 3 (*Commercial Classic® Series*)

7, 8, 9 – Capacity

090 = 7.5 ton

102 = 8.5 ton

120 = 10 ton

10 – Major series

A

11 – Voltage

C = 3 phase 208-230/60

D = 3 phase 460/60

Y = 3 phase 575/60

12 – Drive

A = belt low static

B = belt med static

C = belt high static

F = belt VFD low static

G = belt VFD med static

H = belt VFD high static

13, 14 – Heat Capacity

00 = No Heat

10 = 10kw

15 = 15kw

20 = 20kw

30 = 30kw

40 = 40kw

15 – Number of stages

0 = no stages

1 = 1 stage

2 = 2 stage

16 – Control

A = Non communicating

B = Comfort Alert/Phase Monitor

C = Clear Control

D = Clear Control & Comfort Alert

17 – Minor series

B

18, 19, 20 – Option Code

See next page

Notes:

1. ZT – can only select VFD drives (F, G, H) in character 12
2. ZS – can select any of the drive options in character 12
3. ZR – can only select standard drives (A, B, C) in character 12

FACTORY INSTALLED OPTION CODES FOR RHPD (7.5 TO 10 TON)

18					19					20			
LV = Louver protection					LF = Low Ambient / Freeze Stat					EC = Economizer			
HA = Hinged Access					NP = Non-powered Convenience Outlet					SS = Supply Smoke			
CC ¹ = Coil Coating										RS = Return Smoke			
Option code character highlighted below					Option code character highlighted below					Option code character highlighted below			
A	None				A	None				0	None		
B	LV				B	LF				1	EC		
C	HA				C	NP				2	RS		
D	LV	HA			D	LF	NP			3	EC	RS	
E	LV	CC								4	SS	RS	
F	LV	HA	CC							5	EC	SS	RS

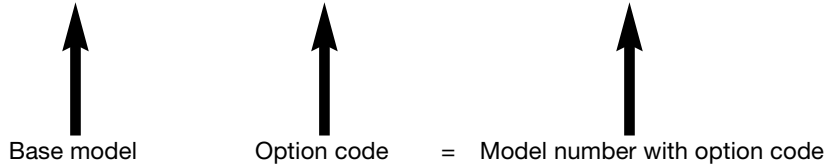
¹CC-requires LV (louver protection)

Instructions for Factory Installed Option(s) Selection

Note: Three characters following the model number will be utilized to designate a factory-installed option or combination of options. If no factory option(s) is required, "AAO" follows the model number.

- **Step 1:** In the table above, based on the desired features, choose option code character from highlighted options on the left side under the number 18. For example, the option code character "E" has Louver protection and Coil Coating.
- **Step 2:** In the table above, based on the desired features, choose option code character from highlighted options on the left side under the number 19. For example, the option code character "D" has Low Ambient / Freeze Stat and Non-powered convenience outlet.
- **Step 3:** In the table above, based on the desired features, choose option code character from highlighted options on the left side under the number 20. For example, the option code character "3" has Economizer and Return Smoke.
- The resulting option code from examples above is: "ED3"
- **Step 4:** Add your option code selection to the end of model number

○ Example: RHPDZR090ACC150AA ED3 = RHPDZR090ACC150AAED3



To select an RHPDZS Cooling and Heating unit to meet a job requirement, follow this procedure, with example, using data supplied in this specification sheet.

1. DETERMINE COOLING AND HEATING REQUIREMENTS AND SPECIFIC OPERATING CONDITIONS FROM PLANS AND SPECS.

Example:

Voltage—	230 V – 3 Phase – 60 Hz
Total Cooling Capacity—	118,000 BTUH [34.57 kW]
Sensible Cooling Capacity—	79,600 BTUH [23.32 kW]
Heating Capacity—	150,000 BTUH [40 kW]
*Condenser Entering Air—	95°F [35.0°C] DB
*Evaporator Mixed Air Entering—	65°F [18.3°C] WB 78°F [25.6°C] DB
*Indoor Air Flow (vertical)—	3600 CFM [1699 L/s]
*External Static Pressure—	0.40 in. WG [.10 kPa]

2. SELECT UNIT TO MEET COOLING REQUIREMENTS.

Since total cooling is within the range of a nominal 10 ton [35.1 kW] unit, enter cooling performance table at 95°F [35.0°C] DB condenser inlet air. Interpolate between 63°F [17.2°C] WB and 67°F [19.4°C] to determine total and sensible capacity and power input for 65°F [18.3°C] WB evaporator inlet air at 3750 CFM [1770 L/s] indoor air flow (table basis):

Total Cooling Capacity = 118,900 BTUH [34.82 kW]
 Sensible Cooling Capacity = 99,950 BTUH [29.27 kW]
 Power Input (Compressor and Cond. Fans) = 8,950 watts

Use formula $[1.10 \times \text{CFM} \times (1 - \text{DR}) \times (\text{dbE} - 80)]$ in note to determine sensible capacity at 80°F [26.7°C] DB evaporator entering air:

$99,950 + (1.10 \times 3,600 \times (1 - 0.03) \times (78 - 80))$
 Sensible Cooling Capacity = 92,268 BTUH [27.02 kW]

3. CORRECT CAPACITIES OF STEP 2 FOR ACTUAL AIR FLOW.

Select factors from airflow correction table at 3600 CFM [1699 L/s] and apply to data obtained in step 2 to obtain gross capacity:

Total Capacity = $118,900 \times 0.98 = 116,522$ BTUH [34.12 kW]
 Sensible Capacity = $92,268 \times 0.95 = 87,655$ BTUH [25.67 kW]
 Power Input = $8,950 \times 0.99 = 8,861$ Watts

These are Gross Capacities, not corrected for blower motor heat or power.

4. DETERMINE BLOWER SPEED AND WATTS TO MEET SYSTEM DESIGN.

Enter Indoor Blower performance table at 3600 CFM [1699 L/s]. Total ESP (external static pressure) per the spec of 0.40 in. WG [.10 kPa] includes the system duct and grilles. Add from the table "Component Air Resistance," 0.076 in. WG [.02 kPa] for wet coil, 0 in. WG [.00 kPa] for downflow air flow for a total selection static pressure of 0.476 (0.5) in. WG [.12 kPa], and determine:

RPM = 771
 WATTS = 1,494
 DRIVE = A (Belt drive, low static)

5. CALCULATE INDOOR BLOWER BTUH HEAT EFFECT FROM MOTOR WATTS, STEP 4.

$$1,576 \times 3.412 = 5,377 \text{ BTUH [1.57 kW]}$$

6. CALCULATE NET COOLING CAPACITIES, EQUAL TO GROSS CAPACITY, STEP 3, MINUS INDOOR BLOWER MOTOR HEAT.

$$\text{Net Total Capacity} = 116,522 - 5,377 = 111,145 \text{ BTUH [32.54 kW]}$$

$$\text{Net Sensible Capacity} = 87,655 - 5,377 = 82,278 \text{ BTUH [24.09 kW]}$$

7. CALCULATE UNIT INPUT AND JOB EER.

$$\text{Total Power Input} = 8,861 \text{ (step 3)} + 1,576 \text{ (step 4)} = 10,437 \text{ Watts}$$

$$\text{EER} = \frac{\text{Net Total BTUH [kW] (step 6)}}{\text{Power Input, Watts (above)}} = \frac{111,145}{10,437} = 10.65$$

8. SELECT UNIT HEATING CAPACITY.

From Heater Kit Table select kW to meet heating capacity requirement; multiply kW x 3412 to convert to BTUH.

Use 40 kW Heater Kit

Heater Kit Model:	Heater Kit Capacity:
RXXJJ-DD40CP	135,120 BTUH [39.6 kW]

Add indoor blower heat effect (step 5) to Heater Kit Capacity to get total heating capacity:

$$135,120 + 5,377 = 140,497 \text{ BTUH [41.1 kW]}$$

9. CHOOSE MODEL RHPDZS120ACA402AA.

*NOTE: These operating conditions are typical of a commercial application in a 95°F/79°F [35°C/26°C] design area with indoor design of 76°F [24°C] DB and 50% RH and 10% ventilation air, with the unit roof mounted and centered on the zone it conditions by ducts.

[] Designates Metric Conversions

NOM. SIZES 7.5-10 TONS [26.4-35.1 kW] ASHRAE 90.1-2007 COMPLIANT MODELS

Model RHPDZR Series	090ACA	090ACB	090ACC	090ADA
Cooling Performance¹				CONTINUED →
Gross Cooling Capacity Btu [kW]	89,000 [26.08]	89,000 [26.08]	89,000 [26.08]	89,000 [26.08]
EER/SEER ²	11/NA	11/NA	11/NA	11/NA
Nominal CFM/AHRI Rated CFM [L/s]	3000/3030 [1416/1430]	3000/3030 [1416/1430]	3000/3030 [1416/1430]	3000/3030 [1416/1430]
AHRI Net Cooling Capacity Btu [kW]	86,000 [25.2]	86,000 [25.2]	86,000 [25.2]	86,000 [25.2]
Net Sensible Capacity Btu [kW]	62,800 [18.4]	62,800 [18.4]	62,800 [18.4]	62,800 [18.4]
Net Latent Capacity Btu [kW]	23,200 [6.8]	23,200 [6.8]	23,200 [6.8]	23,200 [6.8]
IEER ³	12.2	12.2	12.2	12.2
Net System Power kW	7.55	7.55	7.55	7.55
Heating Performance (Heat Pumps)				
High Temp. Btuh [kW] Rating	86,000 [25.2]	86,000 [25.2]	86,000 [25.2]	86,000 [25.2]
System Power KW / COP	6.84/3.3	6.84/3.3	6.84/3.3	6.84/3.3
Low Temp. Btuh [kW] Rating	48,000 [14.06]	48,000 [14.06]	48,000 [14.06]	48,000 [14.06]
System Power KW / COP	6.44/2.3	6.44/2.3	6.44/2.3	6.44/2.3
Compressor				
No./Type	1/Scroll	1/Scroll	1/Scroll	1/Scroll
Outdoor Sound Rating (dB)⁴				
	88	88	88	88
Outdoor Coil - Fin Type				
Tube Type	Louvered	Louvered	Louvered	Louvered
MicroChannel Depth in. [mm]	MicroChannel	MicroChannel	MicroChannel	MicroChannel
Face Area sq. ft. [sq. m]	1 [25.4]	1 [25.4]	1 [25.4]	1 [25.4]
Rows / FPI [FPcm]	22.8 [2.12]	22.8 [2.12]	22.8 [2.12]	22.8 [2.12]
Refrigerant Control	1 / 16 [6]	1 / 16 [6]	1 / 16 [6]	1 / 16 [6]
	TX Valves	TX Valves	TX Valves	TX Valves
Indoor Coil - Fin Type				
Tube Type	Louvered	Louvered	Louvered	Louvered
MicroChannel Depth in. [mm]	MicroChannel	MicroChannel	MicroChannel	MicroChannel
Face Area sq. ft. [sq. m]	1.26 [32]	1.26 [32]	1.26 [32]	1.26 [32]
Rows / FPI [FPcm]	10.9 [1.01]	10.9 [1.01]	10.9 [1.01]	10.9 [1.01]
Refrigerant Control	1 / 20 [8]	1 / 20 [8]	1 / 20 [8]	1 / 20 [8]
Drain Connection No./Size in. [mm]	TX Valves	TX Valves	TX Valves	TX Valves
	1/0.75 [19.05]	1/0.75 [19.05]	1/0.75 [19.05]	1/0.75 [19.05]
Outdoor Fan - Type				
No. Used/Diameter in. [mm]	Propeller	Propeller	Propeller	Propeller
Drive Type/No. Speeds	2/24 [609.6]	2/24 [609.6]	2/24 [609.6]	2/24 [609.6]
CFM [L/s]	Direct/1	Direct/1	Direct/1	Direct/1
No. Motors/HP	8000 [3775]	8000 [3775]	8000 [3775]	8000 [3775]
Motor RPM	2 at 1/2 HP	2 at 1/2 HP	2 at 1/2 HP	2 at 1/2 HP
	1075	1075	1075	1075
Indoor Fan - Type				
No. Used/Diameter in. [mm]	FC Centrifugal	FC Centrifugal	FC Centrifugal	FC Centrifugal
Drive Type	1/15x15 [381x381]	1/15x15 [381x381]	1/15x15 [381x381]	1/15x15 [381x381]
No. Speeds	Belt (Adjustable)	Belt (Adjustable)	Belt (Adjustable)	Belt (Adjustable)
No. Motors	Single	Single	Single	Single
Motor HP	1	1	1	1
Motor RPM	2	3	3	2
Motor Frame Size	1725	1725	1725	1725
	56	56	56	56
Filter - Type				
Furnished	Disposable	Disposable	Disposable	Disposable
(NO.) Size Recommended in. [mm x mm x mm]	Yes	Yes	Yes	Yes
	(4)2x20x20 [51x508x508]	(4)2x20x20 [51x508x508]	(4)2x20x20 [51x508x508]	(4)2x20x20 [51x508x508]
Refrigerant Charge Oz. [g]				
	179 [5075]	179 [5075]	179 [5075]	179 [5075]
Weights				
Net Weight lbs. [kg]	775 [352]	775 [352]	786 [357]	775 [352]
Ship Weight lbs. [kg]	814 [369]	814 [369]	825 [374]	814 [369]

See Page 38 for Notes.

[] Designates Metric Conversions

NOM. SIZES 7.5-10 TONS [26.4-35.1 kW] ASHRAE 90.1-2007 COMPLIANT MODELS

Model RHPDZR Series	090ADB	090ADC	090AYA	090AYB
Cooling Performance¹				CONTINUED →
Gross Cooling Capacity Btu [kW]	89,000 [26.08]	89,000 [26.08]	89,000 [26.08]	89,000 [26.08]
EER/SEER ²	11/NA	11/NA	11/NA	11/NA
Nominal CFM/AHRI Rated CFM [L/s]	3000/3030 [1416/1430]	3000/3030 [1416/1430]	3000/3030 [1416/1430]	3000/3030 [1416/1430]
AHRI Net Cooling Capacity Btu [kW]	86,000 [25.2]	86,000 [25.2]	86,000 [25.2]	86,000 [25.2]
Net Sensible Capacity Btu [kW]	62,800 [18.4]	62,800 [18.4]	62,800 [18.4]	62,800 [18.4]
Net Latent Capacity Btu [kW]	23,200 [6.8]	23,200 [6.8]	23,200 [6.8]	23,200 [6.8]
IEER ³	12.2	12.2	12.2	12.2
Net System Power kW	7.55	7.55	7.55	7.55
Heating Performance (Heat Pumps)				
High Temp. Btuh [kW] Rating	86,000 [25.2]	86,000 [25.2]	86,000 [25.2]	86,000 [25.2]
System Power KW / COP	6.84/3.3	6.84/3.3	6.84/3.3	6.84/3.3
Low Temp. Btuh [kW] Rating	48,000 [14.06]	48,000 [14.06]	48,000 [14.06]	48,000 [14.06]
System Power KW / COP	6.44/2.3	6.44/2.3	6.44/2.3	6.44/2.3
Compressor				
No./Type	1/Scroll	1/Scroll	1/Scroll	1/Scroll
Outdoor Sound Rating (dB)⁴	88	88	88	88
Outdoor Coil - Fin Type	Louvered	Louvered	Louvered	Louvered
Tube Type	MicroChannel	MicroChannel	MicroChannel	MicroChannel
MicroChannel Depth in. [mm]	1 [25.4]	1 [25.4]	1 [25.4]	1 [25.4]
Face Area sq. ft. [sq. m]	22.8 [2.12]	22.8 [2.12]	22.8 [2.12]	22.8 [2.12]
Rows / FPI [FPcm]	1 / 16 [6]	1 / 16 [6]	1 / 16 [6]	1 / 16 [6]
Refrigerant Control	TX Valves	TX Valves	TX Valves	TX Valves
Indoor Coil - Fin Type	Louvered	Louvered	Louvered	Louvered
Tube Type	MicroChannel	MicroChannel	MicroChannel	MicroChannel
MicroChannel Depth in. [mm]	1.26 [32]	1.26 [32]	1.26 [32]	1.26 [32]
Face Area sq. ft. [sq. m]	10.9 [1.01]	10.9 [1.01]	10.9 [1.01]	10.9 [1.01]
Rows / FPI [FPcm]	1 / 20 [8]	1 / 20 [8]	1 / 20 [8]	1 / 20 [8]
Refrigerant Control	TX Valves	TX Valves	TX Valves	TX Valves
Drain Connection No./Size in. [mm]	1/0.75 [19.05]	1/0.75 [19.05]	1/0.75 [19.05]	1/0.75 [19.05]
Outdoor Fan - Type	Propeller	Propeller	Propeller	Propeller
No. Used/Diameter in. [mm]	2/24 [609.6]	2/24 [609.6]	2/24 [609.6]	2/24 [609.6]
Drive Type/No. Speeds	Direct/1	Direct/1	Direct/1	Direct/1
CFM [L/s]	8000 [3775]	8000 [3775]	8000 [3775]	8000 [3775]
No. Motors/HP	2 at 1/2 HP	2 at 1/2 HP	2 at 1/2 HP	2 at 1/2 HP
Motor RPM	1075	1075	1075	1075
Indoor Fan - Type	FC Centrifugal	FC Centrifugal	FC Centrifugal	FC Centrifugal
No. Used/Diameter in. [mm]	1/15x15 [381x381]	1/15x15 [381x381]	1/15x15 [381x381]	1/15x15 [381x381]
Drive Type	Belt (Adjustable)	Belt (Adjustable)	Belt (Adjustable)	Belt (Adjustable)
No. Speeds	Single	Single	Single	Single
No. Motors	1	1	1	1
Motor HP	3	3	2	3
Motor RPM	1725	1725	1725	1725
Motor Frame Size	56	56	56	56
Filter - Type	Disposable	Disposable	Disposable	Disposable
Furnished	Yes	Yes	Yes	Yes
(NO.) Size Recommended in. [mm x mm x mm]	(4)2x20x20 [51x508x508]	(4)2x20x20 [51x508x508]	(4)2x20x20 [51x508x508]	(4)2x20x20 [51x508x508]
Refrigerant Charge Oz. [g]	179 [5075]	179 [5075]	179 [5075]	179 [5075]
Weights				
Net Weight lbs. [kg]	775 [352]	775 [352]	775 [352]	785 [356]
Ship Weight lbs. [kg]	814 [369]	814 [369]	814 [369]	824 [374]

See Page 38 for Notes.

[] Designates Metric Conversions



NOM. SIZES 7.5-10 TONS [26.4-35.1 kW] ASHRAE 90.1-2007 COMPLIANT MODELS

Model RHPDZR Series	090AYC	102ACA	102ACB	102ACC
Cooling Performance¹				
Gross Cooling Capacity Btu [kW]	89,000 [26.08]	101,000 [29.59]	101,000 [29.59]	101,000 [29.59]
EER/SEER ²	11/NA	11/NA	11/NA	11/NA
Nominal CFM/AHRI Rated CFM [L/s]	3000/3030 [1416/1430]	3400/3345 [1604/1579]	3400/3345 [1604/1579]	3400/3345 [1604/1579]
AHRI Net Cooling Capacity Btu [kW]	86,000 [25.2]	98,000 [28.71]	98,000 [28.71]	98,000 [28.71]
Net Sensible Capacity Btu [kW]	62,800 [18.4]	71,000 [20.8]	71,000 [20.8]	71,000 [20.8]
Net Latent Capacity Btu [kW]	23,200 [6.8]	27,000 [7.91]	27,000 [7.91]	27,000 [7.91]
IEER ³	12.2	12.2	12.2	12.2
Net System Power kW	7.55	8.47	8.47	8.47
Heating Performance (Heat Pumps)				
High Temp. Btuh [kW] Rating	86,000 [25.2]	98,000 [28.71]	98,000 [28.71]	98,000 [28.71]
System Power KW / COP	6.84/3.3	7.99/3.3	7.99/3.3	7.99/3.3
Low Temp. Btuh [kW] Rating	48,000 [14.06]	60,000 [17.58]	60,000 [17.58]	60,000 [17.58]
System Power KW / COP	6.44/2.3	7.54/2.3	7.54/2.3	7.54/2.3
Compressor				
No./Type	1/Scroll	1/Scroll	1/Scroll	1/Scroll
Outdoor Sound Rating (dB)⁴				
	88	88	88	88
Outdoor Coil - Fin Type				
Tube Type	Louvered	Louvered	Louvered	Louvered
MicroChannel Depth in. [mm]	MicroChannel	MicroChannel	MicroChannel	MicroChannel
Face Area sq. ft. [sq. m]	1 [25.4]	1.26 [32]	1.26 [32]	1.26 [32]
Rows / FPI [FPcm]	22.8 [2.12]	22.4 [2.08]	22.4 [2.08]	22.4 [2.08]
Refrigerant Control	1 / 16 [6]	1 / 16 [6]	1 / 16 [6]	1 / 16 [6]
	TX Valves	TX Valves	TX Valves	TX Valves
Indoor Coil - Fin Type				
Tube Type	Louvered	Louvered	Louvered	Louvered
MicroChannel Depth in. [mm]	MicroChannel	MicroChannel	MicroChannel	MicroChannel
Face Area sq. ft. [sq. m]	1.26 [32]	1.26 [32]	1.26 [32]	1.26 [32]
Rows / FPI [FPcm]	10.9 [1.01]	10.9 [1.01]	10.9 [1.01]	10.9 [1.01]
Refrigerant Control	1 / 20 [8]	1 / 20 [8]	1 / 20 [8]	1 / 20 [8]
Drain Connection No./Size in. [mm]	TX Valves	TX Valves	TX Valves	TX Valves
	1/0.75 [19.05]	1/0.75 [19.05]	1/0.75 [19.05]	1/0.75 [19.05]
Outdoor Fan - Type				
No. Used/Diameter in. [mm]	Propeller	Propeller	Propeller	Propeller
Drive Type/No. Speeds	2/24 [609.6]	2/24 [609.6]	2/24 [609.6]	2/24 [609.6]
CFM [L/s]	Direct/1	Direct/1	Direct/1	Direct/1
No. Motors/HP	8000 [3775]	8000 [3775]	8000 [3775]	8000 [3775]
Motor RPM	2 at 1/2 HP	2 at 1/2 HP	2 at 1/2 HP	2 at 1/2 HP
	1075	1075	1075	1075
Indoor Fan - Type				
No. Used/Diameter in. [mm]	FC Centrifugal	FC Centrifugal	FC Centrifugal	FC Centrifugal
Drive Type	1/15x15 [381x381]	1/15x15 [381x381]	1/15x15 [381x381]	1/15x15 [381x381]
No. Speeds	Belt (Adjustable)	Belt (Adjustable)	Belt (Adjustable)	Belt (Adjustable)
No. Motors	Single	Single	Single	Single
Motor HP	1	1	1	1
Motor RPM	3	2	3	3
Motor Frame Size	1725	1725	1725	1725
	56	56	56	56
Filter - Type				
Furnished	Disposable	Disposable	Disposable	Disposable
(NO.) Size Recommended in. [mm x mm x mm]	Yes	Yes	Yes	Yes
	(4)2x20x20 [51x508x508]	(4)2x20x20 [51x508x508]	(4)2x20x20 [51x508x508]	(4)2x20x20 [51x508x508]
Refrigerant Charge Oz. [g]				
	179 [5075]	197 [5585]	197 [5585]	197 [5585]
Weights				
Net Weight lbs. [kg]	786 [357]	811 [368]	811 [368]	822 [373]
Ship Weight lbs. [kg]	825 [374]	850 [386]	850 [386]	861 [391]

See Page 38 for Notes.

[] Designates Metric Conversions

NOM. SIZES 7.5-10 TONS [26.4-35.1 kW] ASHRAE 90.1-2007 COMPLIANT MODELS

Model RHPDZR Series	102ADA	102ADB	102ADC	102AYA
Cooling Performance¹				CONTINUED →
Gross Cooling Capacity Btu [kW]	101,000 [29.59]	101,000 [29.59]	101,000 [29.59]	101,000 [29.59]
EER/SEER ²	11/NA	11/NA	11/NA	11/NA
Nominal CFM/AHRI Rated CFM [L/s]	3400/3345 [1604/1579]	3400/3345 [1604/1579]	3400/3345 [1604/1579]	3400/3345 [1604/1579]
AHRI Net Cooling Capacity Btu [kW]	98,000 [28.71]	98,000 [28.71]	98,000 [28.71]	98,000 [28.71]
Net Sensible Capacity Btu [kW]	71,000 [20.8]	71,000 [20.8]	71,000 [20.8]	71,000 [20.8]
Net Latent Capacity Btu [kW]	27,000 [7.91]	27,000 [7.91]	27,000 [7.91]	27,000 [7.91]
IEER ³	12.2	12.2	12.2	12.2
Net System Power kW	8.47	8.47	8.47	8.47
Heating Performance (Heat Pumps)				
High Temp. Btuh [kW] Rating	98,000 [28.71]	98,000 [28.71]	98,000 [28.71]	98,000 [28.71]
System Power KW / COP	7.99/3.3	7.99/3.3	7.99/3.3	7.99/3.3
Low Temp. Btuh [kW] Rating	60,000 [17.58]	60,000 [17.58]	60,000 [17.58]	60,000 [17.58]
System Power KW / COP	7.54/2.3	7.54/2.3	7.54/2.3	7.54/2.3
Compressor				
No./Type	1/Scroll	1/Scroll	1/Scroll	1/Scroll
Outdoor Sound Rating (dB)⁴	88	88	88	88
Outdoor Coil - Fin Type	Louvered	Louvered	Louvered	Louvered
Tube Type	MicroChannel	MicroChannel	MicroChannel	MicroChannel
MicroChannel Depth in. [mm]	1.26 [32]	1.26 [32]	1.26 [32]	1.26 [32]
Face Area sq. ft. [sq. m]	22.4 [2.08]	22.4 [2.08]	22.4 [2.08]	22.4 [2.08]
Rows / FPI [FPcm]	1 / 16 [6]	1 / 16 [6]	1 / 16 [6]	1 / 16 [6]
Refrigerant Control	TX Valves	TX Valves	TX Valves	TX Valves
Indoor Coil - Fin Type	Louvered	Louvered	Louvered	Louvered
Tube Type	MicroChannel	MicroChannel	MicroChannel	MicroChannel
MicroChannel Depth in. [mm]	1.26 [32]	1.26 [32]	1.26 [32]	1.26 [32]
Face Area sq. ft. [sq. m]	10.9 [1.01]	10.9 [1.01]	10.9 [1.01]	10.9 [1.01]
Rows / FPI [FPcm]	1 / 20 [8]	1 / 20 [8]	1 / 20 [8]	1 / 20 [8]
Refrigerant Control	TX Valves	TX Valves	TX Valves	TX Valves
Drain Connection No./Size in. [mm]	1/0.75 [19.05]	1/0.75 [19.05]	1/0.75 [19.05]	1/0.75 [19.05]
Outdoor Fan - Type	Propeller	Propeller	Propeller	Propeller
No. Used/Diameter in. [mm]	2/24 [609.6]	2/24 [609.6]	2/24 [609.6]	2/24 [609.6]
Drive Type/No. Speeds	Direct/1	Direct/1	Direct/1	Direct/1
CFM [L/s]	8000 [3775]	8000 [3775]	8000 [3775]	8000 [3775]
No. Motors/HP	2 at 1/2 HP	2 at 1/2 HP	2 at 1/2 HP	2 at 1/2 HP
Motor RPM	1075	1075	1075	1075
Indoor Fan - Type	FC Centrifugal	FC Centrifugal	FC Centrifugal	FC Centrifugal
No. Used/Diameter in. [mm]	1/15x15 [381x381]	1/15x15 [381x381]	1/15x15 [381x381]	1/15x15 [381x381]
Drive Type	Belt (Adjustable)	Belt (Adjustable)	Belt (Adjustable)	Belt (Adjustable)
No. Speeds	Single	Single	Single	Single
No. Motors	1	1	1	1
Motor HP	2	3	3	2
Motor RPM	1725	1725	1725	1725
Motor Frame Size	56	56	56	56
Filter - Type	Disposable	Disposable	Disposable	Disposable
Furnished	Yes	Yes	Yes	Yes
(NO.) Size Recommended in. [mm x mm x mm]	(4)2x20x20 [51x508x508]	(4)2x20x20 [51x508x508]	(4)2x20x20 [51x508x508]	(4)2x20x20 [51x508x508]
Refrigerant Charge Oz. [g]	197 [5585]	197 [5585]	197 [5585]	197 [5585]
Weights				
Net Weight lbs. [kg]	811 [368]	821 [372]	822 [373]	811 [368]
Ship Weight lbs. [kg]	850 [386]	860 [390]	861 [391]	850 [386]

See Page 38 for Notes.

[] Designates Metric Conversions

NOM. SIZES 7.5-10 TONS [26.4-35.1 kW] ASHRAE 90.1-2007 COMPLIANT MODELS

Model RHPDZR Series	102AYB	102AYC	120ACA	120ACB
Cooling Performance¹				
Gross Cooling Capacity Btu [kW]	101,000 [29.59]	101,000 [29.59]	119,000 [34.87]	119,000 [34.87]
EER/SEER ²	11/NA	11/NA	11/NA	11/NA
Nominal CFM/AHRI Rated CFM [L/s]	3400/3345 [1604/1579]	3400/3345 [1604/1579]	4000/4060 [1888/1916]	4000/4060 [1888/1916]
AHRI Net Cooling Capacity Btu [kW]	98,000 [28.71]	98,000 [28.71]	114,000 [33.4]	114,000 [33.4]
Net Sensible Capacity Btu [kW]	71,000 [20.8]	71,000 [20.8]	82,800 [24.26]	82,800 [24.26]
Net Latent Capacity Btu [kW]	27,000 [7.91]	27,000 [7.91]	31,200 [9.14]	31,200 [9.14]
IEER ³	12.2	12.2	12.2	12.2
Net System Power kW	8.47	8.47	10.13	10.13
Heating Performance (Heat Pumps)				
High Temp. Btuh [kW] Rating	98,000 [28.71]	98,000 [28.71]	114,000 [33.4]	114,000 [33.4]
System Power KW / COP	7.99/3.3	7.99/3.3	9.03/3.3	9.03/3.3
Low Temp. Btuh [kW] Rating	60,000 [17.58]	60,000 [17.58]	72,000 [21.1]	72,000 [21.1]
System Power KW / COP	7.54/2.3	7.54/2.3	8.3/2.3	8.3/2.3
Compressor				
No./Type	1/Scroll	1/Scroll	1/Scroll	1/Scroll
Outdoor Sound Rating (dB)⁴				
	88	88	88	88
Outdoor Coil - Fin Type				
Tube Type	MicroChannel	MicroChannel	MicroChannel	MicroChannel
MicroChannel Depth in. [mm]	1.26 [32]	1.26 [32]	1.26 [32]	1.26 [32]
Face Area sq. ft. [sq. m]	22.4 [2.08]	22.4 [2.08]	28.8 [2.68]	28.8 [2.68]
Rows / FPI [FPcm]	1 / 16 [6]	1 / 16 [6]	1 / 16 [6]	1 / 16 [6]
Refrigerant Control	TX Valves	TX Valves	TX Valves	TX Valves
Indoor Coil - Fin Type				
Tube Type	MicroChannel	MicroChannel	MicroChannel	MicroChannel
MicroChannel Depth in. [mm]	1.26 [32]	1.26 [32]	1.26 [32]	1.26 [32]
Face Area sq. ft. [sq. m]	10.9 [1.01]	10.9 [1.01]	13.2 [1.23]	13.2 [1.23]
Rows / FPI [FPcm]	1 / 20 [8]	1 / 20 [8]	1 / 20 [8]	1 / 20 [8]
Refrigerant Control	TX Valves	TX Valves	TX Valves	TX Valves
Drain Connection No./Size in. [mm]	1/0.75 [19.05]	1/0.75 [19.05]	1/0.75 [19.05]	1/0.75 [19.05]
Outdoor Fan - Type				
No. Used/Diameter in. [mm]	2/24 [609.6]	2/24 [609.6]	2/24 [609.6]	2/24 [609.6]
Drive Type/No. Speeds	Direct/1	Direct/1	Direct/1	Direct/1
CFM [L/s]	8000 [3775]	8000 [3775]	8000 [3775]	8000 [3775]
No. Motors/HP	2 at 1/2 HP	2 at 1/2 HP	2 at 1/2 HP	2 at 1/2 HP
Motor RPM	1075	1075	1075	1075
Indoor Fan - Type				
No. Used/Diameter in. [mm]	1/15x15 [381x381]	1/15x15 [381x381]	1/15x15 [381x381]	1/15x15 [381x381]
Drive Type	Belt (Adjustable)	Belt (Adjustable)	Belt (Adjustable)	Belt (Adjustable)
No. Speeds	Single	Single	Single	Single
No. Motors	1	1	1	1
Motor HP	3	3	2	3
Motor RPM	1725	1725	1725	1725
Motor Frame Size	56	56	56	56
Filter - Type				
Furnished	Yes	Yes	Yes	Yes
(NO.) Size Recommended in. [mm x mm x mm]	(4)2x20x20 [51x508x508]	(4)2x20x20 [51x508x508]	(4)2x25x20 [51x635x508]	(4)2x25x20 [51x635x508]
Refrigerant Charge Oz. [g]				
	197 [5585]	197 [5585]	213 [6039]	213 [6039]
Weights				
Net Weight lbs. [kg]	821 [372]	822 [373]	863 [391]	863 [391]
Ship Weight lbs. [kg]	860 [390]	861 [391]	902 [409]	902 [409]

See Page 38 for Notes.

[] Designates Metric Conversions

NOM. SIZES 7.5-10 TONS [26.4-35.1 kW] ASHRAE 90.1-2007 COMPLIANT MODELS

Model RHPDZR Series	120ACC	120ADA	120ADB	120ADC
Cooling Performance¹				CONTINUED →
Gross Cooling Capacity Btu [kW]	119,000 [34.87]	119,000 [34.87]	119,000 [34.87]	119,000 [34.87]
EER/SEER ²	11/NA	11/NA	11/NA	11/NA
Nominal CFM/AHRI Rated CFM [L/s]	4000/4060 [1888/1916]	4000/4060 [1888/1916]	4000/4060 [1888/1916]	4000/4060 [1888/1916]
AHRI Net Cooling Capacity Btu [kW]	114,000 [33.4]	114,000 [33.4]	114,000 [33.4]	114,000 [33.4]
Net Sensible Capacity Btu [kW]	82,800 [24.26]	82,800 [24.26]	82,800 [24.26]	82,800 [24.26]
Net Latent Capacity Btu [kW]	31,200 [9.14]	31,200 [9.14]	31,200 [9.14]	31,200 [9.14]
IEER ³	12.2	12.2	12.2	12.2
Net System Power kW	10.13	10.13	10.13	10.13
Heating Performance (Heat Pumps)				
High Temp. Btuh [kW] Rating	114,000 [33.4]	114,000 [33.4]	114,000 [33.4]	114,000 [33.4]
System Power KW / COP	9.03/3.3	9.03/3.3	9.03/3.3	9.03/3.3
Low Temp. Btuh [kW] Rating	72,000 [21.1]	72,000 [21.1]	72,000 [21.1]	72,000 [21.1]
System Power KW / COP	8.3/2.3	8.3/2.3	8.3/2.3	8.3/2.3
Compressor				
No./Type	1/Scroll	1/Scroll	1/Scroll	1/Scroll
Outdoor Sound Rating (dB)⁴	88	88	88	88
Outdoor Coil - Fin Type	Louvered	Louvered	Louvered	Louvered
Tube Type	MicroChannel	MicroChannel	MicroChannel	MicroChannel
MicroChannel Depth in. [mm]	1.26 [32]	1.26 [32]	1.26 [32]	1.26 [32]
Face Area sq. ft. [sq. m]	28.8 [2.68]	28.8 [2.68]	28.8 [2.68]	28.8 [2.68]
Rows / FPI [FPcm]	1 / 16 [6]	1 / 16 [6]	1 / 16 [6]	1 / 16 [6]
Refrigerant Control	TX Valves	TX Valves	TX Valves	TX Valves
Indoor Coil - Fin Type	Louvered	Louvered	Louvered	Louvered
Tube Type	MicroChannel	MicroChannel	MicroChannel	MicroChannel
MicroChannel Depth in. [mm]	1.26 [32]	1.26 [32]	1.26 [32]	1.26 [32]
Face Area sq. ft. [sq. m]	13.2 [1.23]	13.2 [1.23]	13.2 [1.23]	13.2 [1.23]
Rows / FPI [FPcm]	1 / 20 [8]	1 / 20 [8]	1 / 20 [8]	1 / 20 [8]
Refrigerant Control	TX Valves	TX Valves	TX Valves	TX Valves
Drain Connection No./Size in. [mm]	1/0.75 [19.05]	1/0.75 [19.05]	1/0.75 [19.05]	1/0.75 [19.05]
Outdoor Fan - Type	Propeller	Propeller	Propeller	Propeller
No. Used/Diameter in. [mm]	2/24 [609.6]	2/24 [609.6]	2/24 [609.6]	2/24 [609.6]
Drive Type/No. Speeds	Direct/1	Direct/1	Direct/1	Direct/1
CFM [L/s]	8000 [3775]	8000 [3775]	8000 [3775]	8000 [3775]
No. Motors/HP	2 at 1/2 HP	2 at 1/2 HP	2 at 1/2 HP	2 at 1/2 HP
Motor RPM	1075	1075	1075	1075
Indoor Fan - Type	FC Centrifugal	FC Centrifugal	FC Centrifugal	FC Centrifugal
No. Used/Diameter in. [mm]	1/15x15 [381x381]	1/15x15 [381x381]	1/15x15 [381x381]	1/15x15 [381x381]
Drive Type	Belt (Adjustable)	Belt (Adjustable)	Belt (Adjustable)	Belt (Adjustable)
No. Speeds	Single	Single	Single	Single
No. Motors	1	1	1	1
Motor HP	3	2	3	3
Motor RPM	1725	1725	1725	1725
Motor Frame Size	56	56	56	56
Filter - Type	Disposable	Disposable	Disposable	Disposable
Furnished	Yes	Yes	Yes	Yes
(NO.) Size Recommended in. [mm x mm x mm]	(4)2x25x20 [51x635x508]	(4)2x25x20 [51x635x508]	(4)2x25x20 [51x635x508]	(4)2x25x20 [51x635x508]
Refrigerant Charge Oz. [g]	213 [6039]	213 [6039]	213 [6039]	213 [6039]
Weights				
Net Weight lbs. [kg]	874 [396]	863 [391]	863 [391]	874 [396]
Ship Weight lbs. [kg]	913 [414]	902 [409]	902 [409]	913 [414]

See Page 38 for Notes.

[] Designates Metric Conversions



NOM. SIZES 7.5-10 TONS [26.4-35.1 kW] ASHRAE 90.1-2007 COMPLIANT MODELS

Model RHPDZR Series	120AYA	120AYB	120AYC
Cooling Performance¹			
Gross Cooling Capacity Btu [kW]	119,000 [34.87]	119,000 [34.87]	119,000 [34.87]
EER/SEER ²	11/NA	11/NA	11/NA
Nominal CFM/AHRI Rated CFM [L/s]	4000/4060 [1888/1916]	4000/4060 [1888/1916]	4000/4060 [1888/1916]
AHRI Net Cooling Capacity Btu [kW]	114,000 [33.4]	114,000 [33.4]	114,000 [33.4]
Net Sensible Capacity Btu [kW]	82,800 [24.26]	82,800 [24.26]	82,800 [24.26]
Net Latent Capacity Btu [kW]	31,200 [9.14]	31,200 [9.14]	31,200 [9.14]
IEER ³	12.2	12.2	12.2
Net System Power kW	10.13	10.13	10.13
Heating Performance (Heat Pumps)			
High Temp. Btuh [kW] Rating	114,000 [33.4]	114,000 [33.4]	114,000 [33.4]
System Power KW / COP	9.03/3.3	9.03/3.3	9.03/3.3
Low Temp. Btuh [kW] Rating	72,000 [21.1]	72,000 [21.1]	72,000 [21.1]
System Power KW / COP	8.3/2.3	8.3/2.3	8.3/2.3
Compressor			
No./Type	1/Scroll	1/Scroll	1/Scroll
Outdoor Sound Rating (dB)⁴			
	88	88	88
Outdoor Coil - Fin Type			
Tube Type	Louvered	Louvered	Louvered
MicroChannel Depth in. [mm]	MicroChannel	MicroChannel	MicroChannel
Face Area sq. ft. [sq. m]	1.26 [32]	1.26 [32]	1.26 [32]
Rows / FPI [FPcm]	28.8 [2.68]	28.8 [2.68]	28.8 [2.68]
Refrigerant Control	1 / 16 [6]	1 / 16 [6]	1 / 16 [6]
	TX Valves	TX Valves	TX Valves
Indoor Coil - Fin Type			
Tube Type	Louvered	Louvered	Louvered
MicroChannel Depth in. [mm]	MicroChannel	MicroChannel	MicroChannel
Face Area sq. ft. [sq. m]	1.26 [32]	1.26 [32]	1.26 [32]
Rows / FPI [FPcm]	13.2 [1.23]	13.2 [1.23]	13.2 [1.23]
Refrigerant Control	1 / 20 [8]	1 / 20 [8]	1 / 20 [8]
	TX Valves	TX Valves	TX Valves
Drain Connection No./Size in. [mm]	1/0.75 [19.05]	1/0.75 [19.05]	1/0.75 [19.05]
Outdoor Fan - Type			
No. Used/Diameter in. [mm]	Propeller	Propeller	Propeller
Drive Type/No. Speeds	2/24 [609.6]	2/24 [609.6]	2/24 [609.6]
CFM [L/s]	Direct/1	Direct/1	Direct/1
No. Motors/HP	8000 [3775]	8000 [3775]	8000 [3775]
Motor RPM	2 at 1/2 HP	2 at 1/2 HP	2 at 1/2 HP
	1075	1075	1075
Indoor Fan - Type			
No. Used/Diameter in. [mm]	FC Centrifugal	FC Centrifugal	FC Centrifugal
Drive Type	1/15x15 [381x381]	1/15x15 [381x381]	1/15x15 [381x381]
No. Speeds	Belt (Adjustable)	Belt (Adjustable)	Belt (Adjustable)
No. Motors	Single	Single	Single
Motor HP	1	1	1
Motor RPM	2	3	3
Motor Frame Size	1725	1725	1725
	56	56	56
Filter - Type			
Furnished	Disposable	Disposable	Disposable
(NO.) Size Recommended in. [mm x mm x mm]	Yes	Yes	Yes
	(4)2x25x20 [51x635x508]	(4)2x25x20 [51x635x508]	(4)2x25x20 [51x635x508]
Refrigerant Charge Oz. [g]			
	213 [6039]	213 [6039]	213 [6039]
Weights			
Net Weight lbs. [kg]	863 [391]	873 [396]	874 [396]
Ship Weight lbs. [kg]	902 [409]	912 [414]	913 [414]

See Page 38 for Notes.

[] Designates Metric Conversions

NOM. SIZES 7.5-10 TONS [26.4-35.1 kW] ASHRAE 90.1-2007 COMPLIANT MODELS

Model RHPDZS Series	090ACA	090ACB	090ACC	090ACF
Cooling Performance¹				CONTINUED →
Gross Cooling Capacity Btu [kW]	89,000 [26.08]	89,000 [26.08]	89,000 [26.08]	89,000 [26.08]
EER/SEER ²	11/NA	11/NA	11/NA	11/NA
Nominal CFM/AHRI Rated CFM [L/s]	3000/3030 [1416/1430]	3000/3030 [1416/1430]	3000/3030 [1416/1430]	3000/3030 [1416/1430]
AHRI Net Cooling Capacity Btu [kW]	86,000 [25.2]	86,000 [25.2]	86,000 [25.2]	86,000 [25.2]
Net Sensible Capacity Btu [kW]	62,800 [18.4]	62,800 [18.4]	62,800 [18.4]	62,800 [18.4]
Net Latent Capacity Btu [kW]	23,200 [6.8]	23,200 [6.8]	23,200 [6.8]	23,200 [6.8]
IEER ³	12.2	12.2	12.2	12.2
Net System Power kW	7.55	7.55	7.55	7.55
Heating Performance (Heat Pumps)				
High Temp. Btuh [kW] Rating	86,000 [25.2]	86,000 [25.2]	86,000 [25.2]	86,000 [25.2]
System Power KW / COP	6.84/3.3	6.84/3.3	6.84/3.3	6.84/3.3
Low Temp. Btuh [kW] Rating	48,000 [14.06]	48,000 [14.06]	48,000 [14.06]	48,000 [14.06]
System Power KW / COP	6.44/2.3	6.44/2.3	6.44/2.3	6.44/2.3
Compressor				
No./Type	1/Scroll	1/Scroll	1/Scroll	1/Scroll
Outdoor Sound Rating (dB)⁴	88	88	88	88
Outdoor Coil - Fin Type	Louvered	Louvered	Louvered	Louvered
Tube Type	MicroChannel	MicroChannel	MicroChannel	MicroChannel
MicroChannel Depth in. [mm]	1 [25.4]	1 [25.4]	1 [25.4]	1 [25.4]
Face Area sq. ft. [sq. m]	22.8 [2.12]	22.8 [2.12]	22.8 [2.12]	22.8 [2.12]
Rows / FPI [FPcm]	1 / 16 [6]	1 / 16 [6]	1 / 16 [6]	1 / 16 [6]
Refrigerant Control	TX Valves	TX Valves	TX Valves	TX Valves
Indoor Coil - Fin Type	Louvered	Louvered	Louvered	Louvered
Tube Type	MicroChannel	MicroChannel	MicroChannel	MicroChannel
MicroChannel Depth in. [mm]	1.26 [32]	1.26 [32]	1.26 [32]	1.26 [32]
Face Area sq. ft. [sq. m]	10.9 [1.01]	10.9 [1.01]	10.9 [1.01]	10.9 [1.01]
Rows / FPI [FPcm]	1 / 20 [8]	1 / 20 [8]	1 / 20 [8]	1 / 20 [8]
Refrigerant Control	TX Valves	TX Valves	TX Valves	TX Valves
Drain Connection No./Size in. [mm]	1/0.75 [19.05]	1/0.75 [19.05]	1/0.75 [19.05]	1/0.75 [19.05]
Outdoor Fan - Type	Propeller	Propeller	Propeller	Propeller
No. Used/Diameter in. [mm]	2/24 [609.6]	2/24 [609.6]	2/24 [609.6]	2/24 [609.6]
Drive Type/No. Speeds	Direct/1	Direct/1	Direct/1	Direct/1
CFM [L/s]	8000 [3775]	8000 [3775]	8000 [3775]	8000 [3775]
No. Motors/HP	2 at 1/2 HP	2 at 1/2 HP	2 at 1/2 HP	2 at 1/2 HP
Motor RPM	1075	1075	1075	1075
Indoor Fan - Type	FC Centrifugal	FC Centrifugal	FC Centrifugal	FC Centrifugal
No. Used/Diameter in. [mm]	1/15x15 [381x381]	1/15x15 [381x381]	1/15x15 [381x381]	1/15x15 [381x381]
Drive Type	Belt (Adjustable)	Belt (Adjustable)	Belt (Adjustable)	Belt (Adjustable)
No. Speeds	Single	Single	Single	Single
No. Motors	1	1	1	1
Motor HP	2	3	3	2
Motor RPM	1725	1725	1725	1725
Motor Frame Size	56	56	56	56
Filter - Type	Disposable	Disposable	Disposable	Disposable
Furnished	Yes	Yes	Yes	Yes
(NO.) Size Recommended in. [mm x mm x mm]	(4)2x20x20 [51x508x508]	(4)2x20x20 [51x508x508]	(4)2x20x20 [51x508x508]	(4)2x20x20 [51x508x508]
Refrigerant Charge Oz. [g]	179 [5075]	179 [5075]	179 [5075]	179 [5075]
Weights				
Net Weight lbs. [kg]	775 [352]	785 [356]	786 [357]	775 [352]
Ship Weight lbs. [kg]	814 [369]	824 [374]	825 [374]	814 [369]

See Page 38 for Notes.

[] Designates Metric Conversions

NOM. SIZES 7.5-10 TONS [26.4-35.1 kW] ASHRAE 90.1-2007 COMPLIANT MODELS

Model RHPDZS Series	090ACG	090ACH	090ADA	090ADB
Cooling Performance¹				
Gross Cooling Capacity Btu [kW]	89,000 [26.08]	89,000 [26.08]	89,000 [26.08]	89,000 [26.08]
EER/SEER ²	11/NA	11/NA	11/NA	11/NA
Nominal CFM/AHRI Rated CFM [L/s]	3000/3030 [1416/1430]	3000/3030 [1416/1430]	3000/3030 [1416/1430]	3000/3030 [1416/1430]
AHRI Net Cooling Capacity Btu [kW]	86,000 [25.2]	86,000 [25.2]	86,000 [25.2]	86,000 [25.2]
Net Sensible Capacity Btu [kW]	62,800 [18.4]	62,800 [18.4]	62,800 [18.4]	62,800 [18.4]
Net Latent Capacity Btu [kW]	23,200 [6.8]	23,200 [6.8]	23,200 [6.8]	23,200 [6.8]
IEER ³	12.2	12.2	12.2	12.2
Net System Power kW	7.55	7.55	7.55	7.55
Heating Performance (Heat Pumps)				
High Temp. Btuh [kW] Rating	86,000 [25.2]	86,000 [25.2]	86,000 [25.2]	86,000 [25.2]
System Power KW / COP	6.84/3.3	6.84/3.3	6.84/3.3	6.84/3.3
Low Temp. Btuh [kW] Rating	48,000 [14.06]	48,000 [14.06]	48,000 [14.06]	48,000 [14.06]
System Power KW / COP	6.44/2.3	6.44/2.3	6.44/2.3	6.44/2.3
Compressor				
No./Type	1/Scroll	1/Scroll	1/Scroll	1/Scroll
Outdoor Sound Rating (dB)⁴				
	88	88	88	88
Outdoor Coil - Fin Type				
Tube Type	MicroChannel	MicroChannel	MicroChannel	MicroChannel
MicroChannel Depth in. [mm]	1 [25.4]	1 [25.4]	1 [25.4]	1 [25.4]
Face Area sq. ft. [sq. m]	22.8 [2.12]	22.8 [2.12]	22.8 [2.12]	22.8 [2.12]
Rows / FPI [FPcm]	1 / 16 [6]	1 / 16 [6]	1 / 16 [6]	1 / 16 [6]
Refrigerant Control	TX Valves	TX Valves	TX Valves	TX Valves
Indoor Coil - Fin Type				
Tube Type	MicroChannel	MicroChannel	MicroChannel	MicroChannel
MicroChannel Depth in. [mm]	1.26 [32]	1.26 [32]	1.26 [32]	1.26 [32]
Face Area sq. ft. [sq. m]	10.9 [1.01]	10.9 [1.01]	10.9 [1.01]	10.9 [1.01]
Rows / FPI [FPcm]	1 / 20 [8]	1 / 20 [8]	1 / 20 [8]	1 / 20 [8]
Refrigerant Control	TX Valves	TX Valves	TX Valves	TX Valves
Drain Connection No./Size in. [mm]	1/0.75 [19.05]	1/0.75 [19.05]	1/0.75 [19.05]	1/0.75 [19.05]
Outdoor Fan - Type				
No. Used/Diameter in. [mm]	2/24 [609.6]	2/24 [609.6]	2/24 [609.6]	2/24 [609.6]
Drive Type/No. Speeds	Direct/1	Direct/1	Direct/1	Direct/1
CFM [L/s]	8000 [3775]	8000 [3775]	8000 [3775]	8000 [3775]
No. Motors/HP	2 at 1/2 HP	2 at 1/2 HP	2 at 1/2 HP	2 at 1/2 HP
Motor RPM	1075	1075	1075	1075
Indoor Fan - Type				
No. Used/Diameter in. [mm]	1/15x15 [381x381]	1/15x15 [381x381]	1/15x15 [381x381]	1/15x15 [381x381]
Drive Type	Belt (Adjustable)	Belt (Adjustable)	Belt (Adjustable)	Belt (Adjustable)
No. Speeds	Single	Single	Single	Single
No. Motors	1	1	1	1
Motor HP	3	3	2	3
Motor RPM	1725	1725	1725	1725
Motor Frame Size	56	56	56	56
Filter - Type				
Furnished	Yes	Yes	Yes	Yes
(NO.) Size Recommended in. [mm x mm x mm]	(4)2x20x20 [51x508x508]	(4)2x20x20 [51x508x508]	(4)2x20x20 [51x508x508]	(4)2x20x20 [51x508x508]
Refrigerant Charge Oz. [g]				
	179 [5075]	179 [5075]	179 [5075]	179 [5075]
Weights				
Net Weight lbs. [kg]	785 [356]	786 [357]	775 [352]	785 [356]
Ship Weight lbs. [kg]	824 [374]	825 [374]	814 [369]	824 [374]

See Page 38 for Notes.

[] Designates Metric Conversions

NOM. SIZES 7.5-10 TONS [26.4-35.1 kW] ASHRAE 90.1-2007 COMPLIANT MODELS

Model RHPDZS Series	090ADC	090ADF	090ADG	090ADH
Cooling Performance¹				CONTINUED →
Gross Cooling Capacity Btu [kW]	89,000 [26.08]	89,000 [26.08]	89,000 [26.08]	89,000 [26.08]
EER/SEER ²	11/NA	11/NA	11/NA	11/NA
Nominal CFM/AHRI Rated CFM [L/s]	3000/3030 [1416/1430]	3000/3030 [1416/1430]	3000/3030 [1416/1430]	3000/3030 [1416/1430]
AHRI Net Cooling Capacity Btu [kW]	86,000 [25.2]	86,000 [25.2]	86,000 [25.2]	86,000 [25.2]
Net Sensible Capacity Btu [kW]	62,800 [18.4]	62,800 [18.4]	62,800 [18.4]	62,800 [18.4]
Net Latent Capacity Btu [kW]	23,200 [6.8]	23,200 [6.8]	23,200 [6.8]	23,200 [6.8]
IEER ³	12.2	12.2	12.2	12.2
Net System Power kW	7.55	7.55	7.55	7.55
Heating Performance (Heat Pumps)				
High Temp. Btuh [kW] Rating	86,000 [25.2]	86,000 [25.2]	86,000 [25.2]	86,000 [25.2]
System Power KW / COP	6.84/3.3	6.84/3.3	6.84/3.3	6.84/3.3
Low Temp. Btuh [kW] Rating	48,000 [14.06]	48,000 [14.06]	48,000 [14.06]	48,000 [14.06]
System Power KW / COP	6.44/2.3	6.44/2.3	6.44/2.3	6.44/2.3
Compressor				
No./Type	1/Scroll	1/Scroll	1/Scroll	1/Scroll
Outdoor Sound Rating (dB)⁴	88	88	88	88
Outdoor Coil - Fin Type	Louvered	Louvered	Louvered	Louvered
Tube Type	MicroChannel	MicroChannel	MicroChannel	MicroChannel
MicroChannel Depth in. [mm]	1 [25.4]	1 [25.4]	1 [25.4]	1 [25.4]
Face Area sq. ft. [sq. m]	22.8 [2.12]	22.8 [2.12]	22.8 [2.12]	22.8 [2.12]
Rows / FPI [FPcm]	1 / 16 [6]	1 / 16 [6]	1 / 16 [6]	1 / 16 [6]
Refrigerant Control	TX Valves	TX Valves	TX Valves	TX Valves
Indoor Coil - Fin Type	Louvered	Louvered	Louvered	Louvered
Tube Type	MicroChannel	MicroChannel	MicroChannel	MicroChannel
MicroChannel Depth in. [mm]	1.26 [32]	1.26 [32]	1.26 [32]	1.26 [32]
Face Area sq. ft. [sq. m]	10.9 [1.01]	10.9 [1.01]	10.9 [1.01]	10.9 [1.01]
Rows / FPI [FPcm]	1 / 20 [8]	1 / 20 [8]	1 / 20 [8]	1 / 20 [8]
Refrigerant Control	TX Valves	TX Valves	TX Valves	TX Valves
Drain Connection No./Size in. [mm]	1/0.75 [19.05]	1/0.75 [19.05]	1/0.75 [19.05]	1/0.75 [19.05]
Outdoor Fan - Type	Propeller	Propeller	Propeller	Propeller
No. Used/Diameter in. [mm]	2/24 [609.6]	2/24 [609.6]	2/24 [609.6]	2/24 [609.6]
Drive Type/No. Speeds	Direct/1	Direct/1	Direct/1	Direct/1
CFM [L/s]	8000 [3775]	8000 [3775]	8000 [3775]	8000 [3775]
No. Motors/HP	2 at 1/2 HP	2 at 1/2 HP	2 at 1/2 HP	2 at 1/2 HP
Motor RPM	1075	1075	1075	1075
Indoor Fan - Type	FC Centrifugal	FC Centrifugal	FC Centrifugal	FC Centrifugal
No. Used/Diameter in. [mm]	1/15x15 [381x381]	1/15x15 [381x381]	1/15x15 [381x381]	1/15x15 [381x381]
Drive Type	Belt (Adjustable)	Belt (Adjustable)	Belt (Adjustable)	Belt (Adjustable)
No. Speeds	Single	Single	Single	Single
No. Motors	1	1	1	1
Motor HP	3	2	3	3
Motor RPM	1725	1725	1725	1725
Motor Frame Size	56	56	56	56
Filter - Type	Disposable	Disposable	Disposable	Disposable
Furnished	Yes	Yes	Yes	Yes
(NO.) Size Recommended in. [mm x mm x mm]	(4)2x20x20 [51x508x508]	(4)2x20x20 [51x508x508]	(4)2x20x20 [51x508x508]	(4)2x20x20 [51x508x508]
Refrigerant Charge Oz. [g]	179 [5075]	179 [5075]	179 [5075]	179 [5075]
Weights				
Net Weight lbs. [kg]	786 [357]	775 [352]	785 [356]	786 [357]
Ship Weight lbs. [kg]	825 [374]	814 [369]	824 [374]	825 [374]

See Page 38 for Notes.

[] Designates Metric Conversions

NOM. SIZES 7.5-10 TONS [26.4-35.1 kW] ASHRAE 90.1-2007 COMPLIANT MODELS

Model RHPDZS Series	090AYA	090AYB	090AYC	102ACA
Cooling Performance¹				CONTINUED →
Gross Cooling Capacity Btu [kW]	89,000 [26.08]	89,000 [26.08]	89,000 [26.08]	101,000 [29.59]
EER/SEER ²	11/NA	11/NA	11/NA	11/NA
Nominal CFM/AHRI Rated CFM [L/s]	3000/3030 [1416/1430]	3000/3030 [1416/1430]	3000/3030 [1416/1430]	3400/3345 [1604/1579]
AHRI Net Cooling Capacity Btu [kW]	86,000 [25.2]	86,000 [25.2]	86,000 [25.2]	98,000 [28.71]
Net Sensible Capacity Btu [kW]	62,800 [18.4]	62,800 [18.4]	62,800 [18.4]	71,000 [20.8]
Net Latent Capacity Btu [kW]	23,200 [6.8]	23,200 [6.8]	23,200 [6.8]	27,000 [7.91]
IEER ³	12.2	12.2	12.2	12.2
Net System Power kW	7.55	7.55	7.55	8.47
Heating Performance (Heat Pumps)				
High Temp. Btuh [kW] Rating	86,000 [25.2]	86,000 [25.2]	86,000 [25.2]	98,000 [28.71]
System Power KW / COP	6.84/3.3	6.84/3.3	6.84/3.3	7.99/3.3
Low Temp. Btuh [kW] Rating	48,000 [14.06]	48,000 [14.06]	48,000 [14.06]	60,000 [17.58]
System Power KW / COP	6.44/2.3	6.44/2.3	6.44/2.3	7.54/2.3
Compressor				
No./Type	1/Scroll	1/Scroll	1/Scroll	1/Scroll
Outdoor Sound Rating (dB)⁴				
	88	88	88	88
Outdoor Coil - Fin Type				
Tube Type	Louvered	Louvered	Louvered	Louvered
MicroChannel Depth in. [mm]	MicroChannel	MicroChannel	MicroChannel	MicroChannel
Face Area sq. ft. [sq. m]	1 [25.4]	1 [25.4]	1 [25.4]	1.26 [32]
Rows / FPI [FPcm]	22.8 [2.12]	22.8 [2.12]	22.8 [2.12]	22.4 [2.08]
Refrigerant Control	1 / 16 [6]	1 / 16 [6]	1 / 16 [6]	1 / 16 [6]
	TX Valves	TX Valves	TX Valves	TX Valves
Indoor Coil - Fin Type				
Tube Type	Louvered	Louvered	Louvered	Louvered
MicroChannel Depth in. [mm]	MicroChannel	MicroChannel	MicroChannel	MicroChannel
Face Area sq. ft. [sq. m]	1.26 [32]	1.26 [32]	1.26 [32]	1.26 [32]
Rows / FPI [FPcm]	10.9 [1.01]	10.9 [1.01]	10.9 [1.01]	10.9 [1.01]
Refrigerant Control	1 / 20 [8]	1 / 20 [8]	1 / 20 [8]	1 / 20 [8]
Drain Connection No./Size in. [mm]	TX Valves	TX Valves	TX Valves	TX Valves
	1/0.75 [19.05]	1/0.75 [19.05]	1/0.75 [19.05]	1/0.75 [19.05]
Outdoor Fan - Type				
No. Used/Diameter in. [mm]	Propeller	Propeller	Propeller	Propeller
Drive Type/No. Speeds	2/24 [609.6]	2/24 [609.6]	2/24 [609.6]	2/24 [609.6]
CFM [L/s]	Direct/1	Direct/1	Direct/1	Direct/1
No. Motors/HP	8000 [3775]	8000 [3775]	8000 [3775]	8000 [3775]
Motor RPM	2 at 1/2 HP	2 at 1/2 HP	2 at 1/2 HP	2 at 1/2 HP
	1075	1075	1075	1075
Indoor Fan - Type				
No. Used/Diameter in. [mm]	FC Centrifugal	FC Centrifugal	FC Centrifugal	FC Centrifugal
Drive Type	1/15x15 [381x381]	1/15x15 [381x381]	1/15x15 [381x381]	1/15x15 [381x381]
No. Speeds	Belt (Adjustable)	Belt (Adjustable)	Belt (Adjustable)	Belt (Adjustable)
No. Motors	Single	Single	Single	Single
Motor HP	1	1	1	1
Motor RPM	2	3	3	2
Motor Frame Size	1725	1725	1725	1725
	56	56	56	56
Filter - Type				
Furnished	Disposable	Disposable	Disposable	Disposable
(NO.) Size Recommended in. [mm x mm x mm]	Yes	Yes	Yes	Yes
	(4)2x20x20 [51x508x508]	(4)2x20x20 [51x508x508]	(4)2x20x20 [51x508x508]	(4)2x20x20 [51x508x508]
Refrigerant Charge Oz. [g]				
	179 [5075]	179 [5075]	179 [5075]	197 [5585]
Weights				
Net Weight lbs. [kg]	775 [352]	785 [356]	786 [357]	811 [368]
Ship Weight lbs. [kg]	814 [369]	824 [374]	825 [374]	850 [386]

See Page 38 for Notes.

[] Designates Metric Conversions

NOM. SIZES 7.5-10 TONS [26.4-35.1 kW] ASHRAE 90.1-2007 COMPLIANT MODELS

Model RHPDZS Series	102ACB	102ACC	102ACF	102ACG
Cooling Performance¹				
Gross Cooling Capacity Btu [kW]	101,000 [29.59]	101,000 [29.59]	101,000 [29.59]	101,000 [29.59]
EER/SEER ²	11/NA	11/NA	11/NA	11/NA
Nominal CFM/AHRI Rated CFM [L/s]	3400/3345 [1604/1579]	3400/3345 [1604/1579]	3400/3345 [1604/1579]	3400/3345 [1604/1579]
AHRI Net Cooling Capacity Btu [kW]	98,000 [28.71]	98,000 [28.71]	98,000 [28.71]	98,000 [28.71]
Net Sensible Capacity Btu [kW]	71,000 [20.8]	71,000 [20.8]	71,000 [20.8]	71,000 [20.8]
Net Latent Capacity Btu [kW]	27,000 [7.91]	27,000 [7.91]	27,000 [7.91]	27,000 [7.91]
IEER ³	12.2	12.2	12.2	12.2
Net System Power kW	8.47	8.47	8.47	8.47
Heating Performance (Heat Pumps)				
High Temp. Btuh [kW] Rating	98,000 [28.71]	98,000 [28.71]	98,000 [28.71]	98,000 [28.71]
System Power KW / COP	7.99/3.3	7.99/3.3	7.99/3.3	7.99/3.3
Low Temp. Btuh [kW] Rating	60,000 [17.58]	60,000 [17.58]	60,000 [17.58]	60,000 [17.58]
System Power KW / COP	7.54/2.3	7.54/2.3	7.54/2.3	7.54/2.3
Compressor				
No./Type	1/Scroll	1/Scroll	1/Scroll	1/Scroll
Outdoor Sound Rating (dB)⁴				
	88	88	88	88
Outdoor Coil - Fin Type				
Tube Type	Louvered	Louvered	Louvered	Louvered
MicroChannel Depth in. [mm]	MicroChannel	MicroChannel	MicroChannel	MicroChannel
Face Area sq. ft. [sq. m]	1.26 [32]	1.26 [32]	1.26 [32]	1.26 [32]
Rows / FPI [FPcm]	22.4 [2.08]	22.4 [2.08]	22.4 [2.08]	22.4 [2.08]
Refrigerant Control	1 / 16 [6]	1 / 16 [6]	1 / 16 [6]	1 / 16 [6]
	TX Valves	TX Valves	TX Valves	TX Valves
Indoor Coil - Fin Type				
Tube Type	Louvered	Louvered	Louvered	Louvered
MicroChannel Depth in. [mm]	MicroChannel	MicroChannel	MicroChannel	MicroChannel
Face Area sq. ft. [sq. m]	1.26 [32]	1.26 [32]	1.26 [32]	1.26 [32]
Rows / FPI [FPcm]	10.9 [1.01]	10.9 [1.01]	10.9 [1.01]	10.9 [1.01]
Refrigerant Control	1 / 20 [8]	1 / 20 [8]	1 / 20 [8]	1 / 20 [8]
Drain Connection No./Size in. [mm]	TX Valves	TX Valves	TX Valves	TX Valves
	1/0.75 [19.05]	1/0.75 [19.05]	1/0.75 [19.05]	1/0.75 [19.05]
Outdoor Fan - Type				
No. Used/Diameter in. [mm]	Propeller	Propeller	Propeller	Propeller
Drive Type/No. Speeds	2/24 [609.6]	2/24 [609.6]	2/24 [609.6]	2/24 [609.6]
CFM [L/s]	Direct/1	Direct/1	Direct/1	Direct/1
No. Motors/HP	8000 [3775]	8000 [3775]	8000 [3775]	8000 [3775]
Motor RPM	2 at 1/2 HP	2 at 1/2 HP	2 at 1/2 HP	2 at 1/2 HP
	1075	1075	1075	1075
Indoor Fan - Type				
No. Used/Diameter in. [mm]	FC Centrifugal	FC Centrifugal	FC Centrifugal	FC Centrifugal
Drive Type	1/15x15 [381x381]	1/15x15 [381x381]	1/15x15 [381x381]	1/15x15 [381x381]
No. Speeds	Belt (Adjustable)	Belt (Adjustable)	Belt (Adjustable)	Belt (Adjustable)
No. Motors	Single	Single	Single	Single
Motor HP	1	1	1	1
Motor RPM	3	3	2	3
Motor Frame Size	1725	1725	1725	1725
	56	56	56	56
Filter - Type				
Furnished	Disposable	Disposable	Disposable	Disposable
(NO.) Size Recommended in. [mm x mm x mm]	Yes	Yes	Yes	Yes
	(4)2x20x20 [51x508x508]	(4)2x20x20 [51x508x508]	(4)2x20x20 [51x508x508]	(4)2x20x20 [51x508x508]
Refrigerant Charge Oz. [g]				
	197 [5585]	197 [5585]	197 [5585]	197 [5585]
Weights				
Net Weight lbs. [kg]	821 [372]	822 [373]	811 [368]	821 [372]
Ship Weight lbs. [kg]	860 [390]	861 [391]	850 [386]	860 [390]

See Page 38 for Notes.

[] Designates Metric Conversions

NOM. SIZES 7.5-10 TONS [26.4-35.1 kW] ASHRAE 90.1-2007 COMPLIANT MODELS

Model RHPDZS Series	102ACH	102ADA	102ADB	102ADC
Cooling Performance¹				
Gross Cooling Capacity Btu [kW]	101,000 [29.59]	101,000 [29.59]	101,000 [29.59]	101,000 [29.59]
EER/SEER ²	11/NA	11/NA	11/NA	11/NA
Nominal CFM/AHRI Rated CFM [L/s]	3400/3345 [1604/1579]	3400/3345 [1604/1579]	3400/3345 [1604/1579]	3400/3345 [1604/1579]
AHRI Net Cooling Capacity Btu [kW]	98,000 [28.71]	98,000 [28.71]	98,000 [28.71]	98,000 [28.71]
Net Sensible Capacity Btu [kW]	71,000 [20.8]	71,000 [20.8]	71,000 [20.8]	71,000 [20.8]
Net Latent Capacity Btu [kW]	27,000 [7.91]	27,000 [7.91]	27,000 [7.91]	27,000 [7.91]
IEER ³	12.2	12.2	12.2	12.2
Net System Power kW	8.47	8.47	8.47	8.47
Heating Performance (Heat Pumps)				
High Temp. Btuh [kW] Rating	98,000 [28.71]	98,000 [28.71]	98,000 [28.71]	98,000 [28.71]
System Power KW / COP	7.99/3.3	7.99/3.3	7.99/3.3	7.99/3.3
Low Temp. Btuh [kW] Rating	60,000 [17.58]	60,000 [17.58]	60,000 [17.58]	60,000 [17.58]
System Power KW / COP	7.54/2.3	7.54/2.3	7.54/2.3	7.54/2.3
Compressor				
No./Type	1/Scroll	1/Scroll	1/Scroll	1/Scroll
Outdoor Sound Rating (dB)⁴				
	88	88	88	88
Outdoor Coil - Fin Type				
Tube Type	MicroChannel	MicroChannel	MicroChannel	MicroChannel
MicroChannel Depth in. [mm]	1.26 [32]	1.26 [32]	1.26 [32]	1.26 [32]
Face Area sq. ft. [sq. m]	22.4 [2.08]	22.4 [2.08]	22.4 [2.08]	22.4 [2.08]
Rows / FPI [FPcm]	1 / 16 [6]	1 / 16 [6]	1 / 16 [6]	1 / 16 [6]
Refrigerant Control	TX Valves	TX Valves	TX Valves	TX Valves
Indoor Coil - Fin Type				
Tube Type	MicroChannel	MicroChannel	MicroChannel	MicroChannel
MicroChannel Depth in. [mm]	1.26 [32]	1.26 [32]	1.26 [32]	1.26 [32]
Face Area sq. ft. [sq. m]	10.9 [1.01]	10.9 [1.01]	10.9 [1.01]	10.9 [1.01]
Rows / FPI [FPcm]	1 / 20 [8]	1 / 20 [8]	1 / 20 [8]	1 / 20 [8]
Refrigerant Control	TX Valves	TX Valves	TX Valves	TX Valves
Drain Connection No./Size in. [mm]	1/0.75 [19.05]	1/0.75 [19.05]	1/0.75 [19.05]	1/0.75 [19.05]
Outdoor Fan - Type				
No. Used/Diameter in. [mm]	2/24 [609.6]	2/24 [609.6]	2/24 [609.6]	2/24 [609.6]
Drive Type/No. Speeds	Direct/1	Direct/1	Direct/1	Direct/1
CFM [L/s]	8000 [3775]	8000 [3775]	8000 [3775]	8000 [3775]
No. Motors/HP	2 at 1/2 HP	2 at 1/2 HP	2 at 1/2 HP	2 at 1/2 HP
Motor RPM	1075	1075	1075	1075
Indoor Fan - Type				
No. Used/Diameter in. [mm]	1/15x15 [381x381]	1/15x15 [381x381]	1/15x15 [381x381]	1/15x15 [381x381]
Drive Type	Belt (Adjustable)	Belt (Adjustable)	Belt (Adjustable)	Belt (Adjustable)
No. Speeds	Single	Single	Single	Single
No. Motors	1	1	1	1
Motor HP	3	2	3	3
Motor RPM	1725	1725	1725	1725
Motor Frame Size	56	56	56	56
Filter - Type				
Furnished	Yes	Yes	Yes	Yes
(NO.) Size Recommended in. [mm x mm x mm]	(4)2x20x20 [51x508x508]	(4)2x20x20 [51x508x508]	(4)2x20x20 [51x508x508]	(4)2x20x20 [51x508x508]
Refrigerant Charge Oz. [g]				
	197 [5585]	197 [5585]	197 [5585]	197 [5585]
Weights				
Net Weight lbs. [kg]	822 [373]	811 [368]	821 [372]	822 [373]
Ship Weight lbs. [kg]	861 [391]	850 [386]	860 [390]	861 [391]

See Page 38 for Notes.

[] Designates Metric Conversions

NOM. SIZES 7.5-10 TONS [26.4-35.1 kW] ASHRAE 90.1-2007 COMPLIANT MODELS

Model RHPDZS Series	102ADF	102ADG	102ADH	102AYA
Cooling Performance¹				CONTINUED →
Gross Cooling Capacity Btu [kW]	101,000 [29.59]	101,000 [29.59]	101,000 [29.59]	101,000 [29.59]
EER/SEER ²	11/NA	11/NA	11/NA	11/NA
Nominal CFM/AHRI Rated CFM [L/s]	3400/3345 [1604/1579]	3400/3345 [1604/1579]	3400/3345 [1604/1579]	3400/3345 [1604/1579]
AHRI Net Cooling Capacity Btu [kW]	98,000 [28.71]	98,000 [28.71]	98,000 [28.71]	98,000 [28.71]
Net Sensible Capacity Btu [kW]	71,000 [20.8]	71,000 [20.8]	71,000 [20.8]	71,000 [20.8]
Net Latent Capacity Btu [kW]	27,000 [7.91]	27,000 [7.91]	27,000 [7.91]	27,000 [7.91]
IEER ³	12.2	12.2	12.2	12.2
Net System Power kW	8.47	8.47	8.47	8.47
Heating Performance (Heat Pumps)				
High Temp. Btuh [kW] Rating	98,000 [28.71]	98,000 [28.71]	98,000 [28.71]	98,000 [28.71]
System Power KW / COP	7.99/3.3	7.99/3.3	7.99/3.3	7.99/3.3
Low Temp. Btuh [kW] Rating	60,000 [17.58]	60,000 [17.58]	60,000 [17.58]	60,000 [17.58]
System Power KW / COP	7.54/2.3	7.54/2.3	7.54/2.3	7.54/2.3
Compressor				
No./Type	1/Scroll	1/Scroll	1/Scroll	1/Scroll
Outdoor Sound Rating (dB)⁴	88	88	88	88
Outdoor Coil - Fin Type	Louvered	Louvered	Louvered	Louvered
Tube Type	MicroChannel	MicroChannel	MicroChannel	MicroChannel
MicroChannel Depth in. [mm]	1.26 [32]	1.26 [32]	1.26 [32]	1.26 [32]
Face Area sq. ft. [sq. m]	22.4 [2.08]	22.4 [2.08]	22.4 [2.08]	22.4 [2.08]
Rows / FPI [FPcm]	1 / 16 [6]	1 / 16 [6]	1 / 16 [6]	1 / 16 [6]
Refrigerant Control	TX Valves	TX Valves	TX Valves	TX Valves
Indoor Coil - Fin Type	Louvered	Louvered	Louvered	Louvered
Tube Type	MicroChannel	MicroChannel	MicroChannel	MicroChannel
MicroChannel Depth in. [mm]	1.26 [32]	1.26 [32]	1.26 [32]	1.26 [32]
Face Area sq. ft. [sq. m]	10.9 [1.01]	10.9 [1.01]	10.9 [1.01]	10.9 [1.01]
Rows / FPI [FPcm]	1 / 20 [8]	1 / 20 [8]	1 / 20 [8]	1 / 20 [8]
Refrigerant Control	TX Valves	TX Valves	TX Valves	TX Valves
Drain Connection No./Size in. [mm]	1/0.75 [19.05]	1/0.75 [19.05]	1/0.75 [19.05]	1/0.75 [19.05]
Outdoor Fan - Type	Propeller	Propeller	Propeller	Propeller
No. Used/Diameter in. [mm]	2/24 [609.6]	2/24 [609.6]	2/24 [609.6]	2/24 [609.6]
Drive Type/No. Speeds	Direct/1	Direct/1	Direct/1	Direct/1
CFM [L/s]	8000 [3775]	8000 [3775]	8000 [3775]	8000 [3775]
No. Motors/HP	2 at 1/2 HP	2 at 1/2 HP	2 at 1/2 HP	2 at 1/2 HP
Motor RPM	1075	1075	1075	1075
Indoor Fan - Type	FC Centrifugal	FC Centrifugal	FC Centrifugal	FC Centrifugal
No. Used/Diameter in. [mm]	1/15x15 [381x381]	1/15x15 [381x381]	1/15x15 [381x381]	1/15x15 [381x381]
Drive Type	Belt (Adjustable)	Belt (Adjustable)	Belt (Adjustable)	Belt (Adjustable)
No. Speeds	Single	Single	Single	Single
No. Motors	1	1	1	1
Motor HP	2	3	3	2
Motor RPM	1725	1725	1725	1725
Motor Frame Size	56	56	56	56
Filter - Type	Disposable	Disposable	Disposable	Disposable
Furnished	Yes	Yes	Yes	Yes
(NO.) Size Recommended in. [mm x mm x mm]	(4)2x20x20 [51x508x508]	(4)2x20x20 [51x508x508]	(4)2x20x20 [51x508x508]	(4)2x20x20 [51x508x508]
Refrigerant Charge Oz. [g]	197 [5585]	197 [5585]	197 [5585]	197 [5585]
Weights				
Net Weight lbs. [kg]	811 [368]	821 [372]	822 [373]	811 [368]
Ship Weight lbs. [kg]	850 [386]	860 [390]	861 [391]	850 [386]

See Page 38 for Notes.

[] Designates Metric Conversions

NOM. SIZES 7.5-10 TONS [26.4-35.1 kW] ASHRAE 90.1-2007 COMPLIANT MODELS

Model RHPDZS Series	102AYB	102AYC	120ACA	120ACB
Cooling Performance¹				
Gross Cooling Capacity Btu [kW]	101,000 [29.59]	101,000 [29.59]	119,000 [34.87]	119,000 [34.87]
EER/SEER ²	11/NA	11/NA	11/NA	11/NA
Nominal CFM/AHRI Rated CFM [L/s]	3400/3345 [1604/1579]	3400/3345 [1604/1579]	4000/4060 [1888/1916]	4000/4060 [1888/1916]
AHRI Net Cooling Capacity Btu [kW]	98,000 [28.71]	98,000 [28.71]	114,000 [33.4]	114,000 [33.4]
Net Sensible Capacity Btu [kW]	71,000 [20.8]	71,000 [20.8]	82,800 [24.26]	82,800 [24.26]
Net Latent Capacity Btu [kW]	27,000 [7.91]	27,000 [7.91]	31,200 [9.14]	31,200 [9.14]
IEER ³	12.2	12.2	12.2	12.2
Net System Power kW	8.47	8.47	10.13	10.13
Heating Performance (Heat Pumps)				
High Temp. Btuh [kW] Rating	98,000 [28.71]	98,000 [28.71]	114,000 [33.4]	114,000 [33.4]
System Power KW / COP	7.99/3.3	7.99/3.3	9.03/3.3	9.03/3.3
Low Temp. Btuh [kW] Rating	60,000 [17.58]	60,000 [17.58]	72,000 [21.1]	72,000 [21.1]
System Power KW / COP	7.54/2.3	7.54/2.3	8.3/2.3	8.3/2.3
Compressor				
No./Type	1/Scroll	1/Scroll	1/Scroll	1/Scroll
Outdoor Sound Rating (dB)⁴				
	88	88	88	88
Outdoor Coil - Fin Type				
Tube Type	Louvered	Louvered	Louvered	Louvered
MicroChannel Depth in. [mm]	MicroChannel	MicroChannel	MicroChannel	MicroChannel
Face Area sq. ft. [sq. m]	1.26 [32]	1.26 [32]	1.26 [32]	1.26 [32]
Rows / FPI [FPcm]	22.4 [2.08]	22.4 [2.08]	28.8 [2.68]	28.8 [2.68]
Refrigerant Control	1 / 16 [6]	1 / 16 [6]	1 / 16 [6]	1 / 16 [6]
	TX Valves	TX Valves	TX Valves	TX Valves
Indoor Coil - Fin Type				
Tube Type	Louvered	Louvered	Louvered	Louvered
MicroChannel Depth in. [mm]	MicroChannel	MicroChannel	MicroChannel	MicroChannel
Face Area sq. ft. [sq. m]	1.26 [32]	1.26 [32]	1.26 [32]	1.26 [32]
Rows / FPI [FPcm]	10.9 [1.01]	10.9 [1.01]	13.2 [1.23]	13.2 [1.23]
Refrigerant Control	1 / 20 [8]	1 / 20 [8]	1 / 20 [8]	1 / 20 [8]
Drain Connection No./Size in. [mm]	TX Valves	TX Valves	TX Valves	TX Valves
	1/0.75 [19.05]	1/0.75 [19.05]	1/0.75 [19.05]	1/0.75 [19.05]
Outdoor Fan - Type				
No. Used/Diameter in. [mm]	Propeller	Propeller	Propeller	Propeller
Drive Type/No. Speeds	2/24 [609.6]	2/24 [609.6]	2/24 [609.6]	2/24 [609.6]
CFM [L/s]	Direct/1	Direct/1	Direct/1	Direct/1
No. Motors/HP	8000 [3775]	8000 [3775]	8000 [3775]	8000 [3775]
Motor RPM	2 at 1/2 HP	2 at 1/2 HP	2 at 1/2 HP	2 at 1/2 HP
	1075	1075	1075	1075
Indoor Fan - Type				
No. Used/Diameter in. [mm]	FC Centrifugal	FC Centrifugal	FC Centrifugal	FC Centrifugal
Drive Type	1/15x15 [381x381]	1/15x15 [381x381]	1/15x15 [381x381]	1/15x15 [381x381]
No. Speeds	Belt (Adjustable)	Belt (Adjustable)	Belt (Adjustable)	Belt (Adjustable)
No. Motors	Single	Single	Single	Single
Motor HP	1	1	1	1
Motor RPM	3	3	2	3
Motor Frame Size	1725	1725	1725	1725
	56	56	56	56
Filter - Type				
Furnished	Disposable	Disposable	Disposable	Disposable
(NO.) Size Recommended in. [mm x mm x mm]	Yes	Yes	Yes	Yes
	(4)2x20x20 [51x508x508]	(4)2x20x20 [51x508x508]	(4)2x25x20 [51x635x508]	(4)2x25x20 [51x635x508]
Refrigerant Charge Oz. [g]				
	197 [5585]	197 [5585]	213 [6039]	213 [6039]
Weights				
Net Weight lbs. [kg]	821 [372]	822 [373]	863 [391]	873 [396]
Ship Weight lbs. [kg]	860 [390]	861 [391]	902 [409]	912 [414]

See Page 38 for Notes.

[] Designates Metric Conversions

NOM. SIZES 7.5-10 TONS [26.4-35.1 kW] ASHRAE 90.1-2007 COMPLIANT MODELS

Model RHPDZS Series	120ACC	120ACF	120ACG	120ACH
Cooling Performance¹				CONTINUED →
Gross Cooling Capacity Btu [kW]	119,000 [34.87]	119,000 [34.87]	119,000 [34.87]	119,000 [34.87]
EER/SEER ²	11/NA	11/NA	11/NA	11/NA
Nominal CFM/AHRI Rated CFM [L/s]	4000/4060 [1888/1916]	4000/4060 [1888/1916]	4000/4060 [1888/1916]	4000/4060 [1888/1916]
AHRI Net Cooling Capacity Btu [kW]	114,000 [33.4]	114,000 [33.4]	114,000 [33.4]	114,000 [33.4]
Net Sensible Capacity Btu [kW]	82,800 [24.26]	82,800 [24.26]	82,800 [24.26]	82,800 [24.26]
Net Latent Capacity Btu [kW]	31,200 [9.14]	31,200 [9.14]	31,200 [9.14]	31,200 [9.14]
IEER ³	12.2	12.2	12.2	12.2
Net System Power kW	10.13	10.13	10.13	10.13
Heating Performance (Heat Pumps)				
High Temp. Btuh [kW] Rating	114,000 [33.4]	114,000 [33.4]	114,000 [33.4]	114,000 [33.4]
System Power KW / COP	9.03/3.3	9.03/3.3	9.03/3.3	9.03/3.3
Low Temp. Btuh [kW] Rating	72,000 [21.1]	72,000 [21.1]	72,000 [21.1]	72,000 [21.1]
System Power KW / COP	8.3/2.3	8.3/2.3	8.3/2.3	8.3/2.3
Compressor				
No./Type	1/Scroll	1/Scroll	1/Scroll	1/Scroll
Outdoor Sound Rating (dB)⁴				
	88	88	88	88
Outdoor Coil - Fin Type				
Tube Type	Louvered	Louvered	Louvered	Louvered
MicroChannel Depth in. [mm]	MicroChannel	MicroChannel	MicroChannel	MicroChannel
Face Area sq. ft. [sq. m]	1.26 [32]	1.26 [32]	1.26 [32]	1.26 [32]
Rows / FPI [FPcm]	28.8 [2.68]	28.8 [2.68]	28.8 [2.68]	28.8 [2.68]
Refrigerant Control	1 / 16 [6]	1 / 16 [6]	1 / 16 [6]	1 / 16 [6]
	TX Valves	TX Valves	TX Valves	TX Valves
Indoor Coil - Fin Type				
Tube Type	Louvered	Louvered	Louvered	Louvered
MicroChannel Depth in. [mm]	MicroChannel	MicroChannel	MicroChannel	MicroChannel
Face Area sq. ft. [sq. m]	1.26 [32]	1.26 [32]	1.26 [32]	1.26 [32]
Rows / FPI [FPcm]	13.2 [1.23]	13.2 [1.23]	13.2 [1.23]	13.2 [1.23]
Refrigerant Control	1 / 20 [8]	1 / 20 [8]	1 / 20 [8]	1 / 20 [8]
Drain Connection No./Size in. [mm]	TX Valves	TX Valves	TX Valves	TX Valves
	1/0.75 [19.05]	1/0.75 [19.05]	1/0.75 [19.05]	1/0.75 [19.05]
Outdoor Fan - Type				
No. Used/Diameter in. [mm]	Propeller	Propeller	Propeller	Propeller
Drive Type/No. Speeds	2/24 [609.6]	2/24 [609.6]	2/24 [609.6]	2/24 [609.6]
CFM [L/s]	Direct/1	Direct/1	Direct/1	Direct/1
No. Motors/HP	8000 [3775]	8000 [3775]	8000 [3775]	8000 [3775]
Motor RPM	2 at 1/2 HP	2 at 1/2 HP	2 at 1/2 HP	2 at 1/2 HP
	1075	1075	1075	1075
Indoor Fan - Type				
No. Used/Diameter in. [mm]	FC Centrifugal	FC Centrifugal	FC Centrifugal	FC Centrifugal
Drive Type	1/15x15 [381x381]	1/15x15 [381x381]	1/15x15 [381x381]	1/15x15 [381x381]
No. Speeds	Belt (Adjustable)	Belt (Adjustable)	Belt (Adjustable)	Belt (Adjustable)
No. Motors	Single	Single	Single	Single
Motor HP	1	1	1	1
Motor RPM	3	2	3	3
Motor Frame Size	1725	1725	1725	1725
	56	56	56	56
Filter - Type				
Furnished	Disposable	Disposable	Disposable	Disposable
(NO.) Size Recommended in. [mm x mm x mm]	Yes	Yes	Yes	Yes
	(4)2x25x20 [51x635x508]	(4)2x25x20 [51x635x508]	(4)2x25x20 [51x635x508]	(4)2x25x20 [51x635x508]
Refrigerant Charge Oz. [g]				
	213 [6039]	213 [6039]	213 [6039]	213 [6039]
Weights				
Net Weight lbs. [kg]	874 [396]	863 [391]	873 [396]	874 [396]
Ship Weight lbs. [kg]	913 [414]	902 [409]	912 [414]	913 [414]

See Page 38 for Notes.

[] Designates Metric Conversions

NOM. SIZES 7.5-10 TONS [26.4-35.1 kW] ASHRAE 90.1-2007 COMPLIANT MODELS

Model RHPDZS Series	120ADA	120ADB	120ADC	120ADF
Cooling Performance¹				
Gross Cooling Capacity Btu [kW]	119,000 [34.87]	119,000 [34.87]	119,000 [34.87]	119,000 [34.87]
EER/SEER ²	11/NA	11/NA	11/NA	11/NA
Nominal CFM/AHRI Rated CFM [L/s]	4000/4060 [1888/1916]	4000/4060 [1888/1916]	4000/4060 [1888/1916]	4000/4060 [1888/1916]
AHRI Net Cooling Capacity Btu [kW]	114,000 [33.4]	114,000 [33.4]	114,000 [33.4]	114,000 [33.4]
Net Sensible Capacity Btu [kW]	82,800 [24.26]	82,800 [24.26]	82,800 [24.26]	82,800 [24.26]
Net Latent Capacity Btu [kW]	31,200 [9.14]	31,200 [9.14]	31,200 [9.14]	31,200 [9.14]
IEER ³	12.2	12.2	12.2	12.2
Net System Power kW	10.13	10.13	10.13	10.13
Heating Performance (Heat Pumps)				
High Temp. Btuh [kW] Rating	114,000 [33.4]	114,000 [33.4]	114,000 [33.4]	114,000 [33.4]
System Power KW / COP	9.03/3.3	9.03/3.3	9.03/3.3	9.03/3.3
Low Temp. Btuh [kW] Rating	72,000 [21.1]	72,000 [21.1]	72,000 [21.1]	72,000 [21.1]
System Power KW / COP	8.3/2.3	8.3/2.3	8.3/2.3	8.3/2.3
Compressor				
No./Type	1/Scroll	1/Scroll	1/Scroll	1/Scroll
Outdoor Sound Rating (dB)⁴				
	88	88	88	88
Outdoor Coil - Fin Type				
Tube Type	Louvered	Louvered	Louvered	Louvered
MicroChannel Depth in. [mm]	MicroChannel	MicroChannel	MicroChannel	MicroChannel
Face Area sq. ft. [sq. m]	1.26 [32]	1.26 [32]	1.26 [32]	1.26 [32]
Rows / FPI [FPcm]	28.8 [2.68]	28.8 [2.68]	28.8 [2.68]	28.8 [2.68]
Refrigerant Control	1 / 16 [6]	1 / 16 [6]	1 / 16 [6]	1 / 16 [6]
	TX Valves	TX Valves	TX Valves	TX Valves
Indoor Coil - Fin Type				
Tube Type	Louvered	Louvered	Louvered	Louvered
MicroChannel Depth in. [mm]	MicroChannel	MicroChannel	MicroChannel	MicroChannel
Face Area sq. ft. [sq. m]	1.26 [32]	1.26 [32]	1.26 [32]	1.26 [32]
Rows / FPI [FPcm]	13.2 [1.23]	13.2 [1.23]	13.2 [1.23]	13.2 [1.23]
Refrigerant Control	1 / 20 [8]	1 / 20 [8]	1 / 20 [8]	1 / 20 [8]
Drain Connection No./Size in. [mm]	TX Valves	TX Valves	TX Valves	TX Valves
	1/0.75 [19.05]	1/0.75 [19.05]	1/0.75 [19.05]	1/0.75 [19.05]
Outdoor Fan - Type				
No. Used/Diameter in. [mm]	Propeller	Propeller	Propeller	Propeller
Drive Type/No. Speeds	2/24 [609.6]	2/24 [609.6]	2/24 [609.6]	2/24 [609.6]
CFM [L/s]	Direct/1	Direct/1	Direct/1	Direct/1
No. Motors/HP	8000 [3775]	8000 [3775]	8000 [3775]	8000 [3775]
Motor RPM	2 at 1/2 HP	2 at 1/2 HP	2 at 1/2 HP	2 at 1/2 HP
	1075	1075	1075	1075
Indoor Fan - Type				
No. Used/Diameter in. [mm]	FC Centrifugal	FC Centrifugal	FC Centrifugal	FC Centrifugal
Drive Type	1/15x15 [381x381]	1/15x15 [381x381]	1/15x15 [381x381]	1/15x15 [381x381]
No. Speeds	Belt (Adjustable)	Belt (Adjustable)	Belt (Adjustable)	Belt (Adjustable)
No. Motors	Single	Single	Single	Single
Motor HP	1	1	1	1
Motor RPM	2	3	3	2
Motor Frame Size	1725	1725	1725	1725
	56	56	56	56
Filter - Type				
Furnished	Disposable	Disposable	Disposable	Disposable
(NO.) Size Recommended in. [mm x mm x mm]	Yes	Yes	Yes	Yes
	(4)2x25x20 [51x635x508]	(4)2x25x20 [51x635x508]	(4)2x25x20 [51x635x508]	(4)2x25x20 [51x635x508]
Refrigerant Charge Oz. [g]				
	213 [6039]	213 [6039]	213 [6039]	213 [6039]
Weights				
Net Weight lbs. [kg]	863 [391]	873 [396]	874 [396]	863 [391]
Ship Weight lbs. [kg]	902 [409]	912 [414]	913 [414]	902 [409]

See Page 38 for Notes.

[] Designates Metric Conversions

NOM. SIZES 7.5-10 TONS [26.4-35.1 kW] ASHRAE 90.1-2007 COMPLIANT MODELS

Model RHPDZS Series	120ADG	120ADH	120AYA	120AYB
Cooling Performance¹				CONTINUED →
Gross Cooling Capacity Btu [kW]	119,000 [34.87]	119,000 [34.87]	119,000 [34.87]	119,000 [34.87]
EER/SEER ²	11/NA	11/NA	11/NA	11/NA
Nominal CFM/AHRI Rated CFM [L/s]	4000/4060 [1888/1916]	4000/4060 [1888/1916]	4000/4060 [1888/1916]	4000/4060 [1888/1916]
AHRI Net Cooling Capacity Btu [kW]	114,000 [33.4]	114,000 [33.4]	114,000 [33.4]	114,000 [33.4]
Net Sensible Capacity Btu [kW]	82,800 [24.26]	82,800 [24.26]	82,800 [24.26]	82,800 [24.26]
Net Latent Capacity Btu [kW]	31,200 [9.14]	31,200 [9.14]	31,200 [9.14]	31,200 [9.14]
IEER ³	12.2	12.2	12.2	12.2
Net System Power kW	10.13	10.13	10.13	10.13
Heating Performance (Heat Pumps)				
High Temp. Btuh [kW] Rating	114,000 [33.4]	114,000 [33.4]	114,000 [33.4]	114,000 [33.4]
System Power KW / COP	9.03/3.3	9.03/3.3	9.03/3.3	9.03/3.3
Low Temp. Btuh [kW] Rating	72,000 [21.1]	72,000 [21.1]	72,000 [21.1]	72,000 [21.1]
System Power KW / COP	8.3/2.3	8.3/2.3	8.3/2.3	8.3/2.3
Compressor				
No./Type	1/Scroll	1/Scroll	1/Scroll	1/Scroll
Outdoor Sound Rating (dB)⁴				
	88	88	88	88
Outdoor Coil - Fin Type				
Tube Type	Louvered	Louvered	Louvered	Louvered
MicroChannel Depth in. [mm]	MicroChannel	MicroChannel	MicroChannel	MicroChannel
Face Area sq. ft. [sq. m]	1.26 [32]	0.26 [6.6]	1.26 [32]	1.26 [32]
Rows / FPI [FPcm]	28.8 [2.68]	28.8 [2.68]	28.8 [2.68]	28.8 [2.68]
Refrigerant Control	1 / 16 [6]	1 / 16 [6]	1 / 16 [6]	1 / 16 [6]
	TX Valves	TX Valves	TX Valves	TX Valves
Indoor Coil - Fin Type				
Tube Type	Louvered	Louvered	Louvered	Louvered
MicroChannel Depth in. [mm]	MicroChannel	MicroChannel	MicroChannel	MicroChannel
Face Area sq. ft. [sq. m]	1.26 [32]	1.26 [32]	1.26 [32]	1.26 [32]
Rows / FPI [FPcm]	13.2 [1.23]	13.2 [1.23]	13.2 [1.23]	13.2 [1.23]
Refrigerant Control	1 / 20 [8]	1 / 20 [8]	1 / 20 [8]	1 / 20 [8]
Drain Connection No./Size in. [mm]	TX Valves	TX Valves	TX Valves	TX Valves
	1/0.75 [19.05]	1/0.75 [19.05]	1/0.75 [19.05]	1/0.75 [19.05]
Outdoor Fan - Type				
No. Used/Diameter in. [mm]	Propeller	Propeller	Propeller	Propeller
Drive Type/No. Speeds	2/24 [609.6]	2/24 [609.6]	2/24 [609.6]	2/24 [609.6]
CFM [L/s]	Direct/1	Direct/1	Direct/1	Direct/1
No. Motors/HP	8000 [3775]	8000 [3775]	8000 [3775]	8000 [3775]
Motor RPM	2 at 1/2 HP	2 at 1/2 HP	2 at 1/2 HP	2 at 1/2 HP
	1075	1075	1075	1075
Indoor Fan - Type				
No. Used/Diameter in. [mm]	FC Centrifugal	FC Centrifugal	FC Centrifugal	FC Centrifugal
Drive Type	1/15x15 [381x381]	1/15x15 [381x381]	1/15x15 [381x381]	1/15x15 [381x381]
No. Speeds	Belt (Adjustable)	Belt (Adjustable)	Belt (Adjustable)	Belt (Adjustable)
No. Motors	Single	Single	Single	Single
Motor HP	1	1	1	1
Motor RPM	3	3	2	3
Motor Frame Size	1725	1725	1725	1725
	56	56	56	56
Filter - Type				
Furnished	Disposable	Disposable	Disposable	Disposable
(NO.) Size Recommended in. [mm x mm x mm]	Yes	Yes	Yes	Yes
	(4)2x25x20 [51x635x508]	(4)2x25x20 [51x635x508]	(4)2x25x20 [51x635x508]	(4)2x25x20 [51x635x508]
Refrigerant Charge Oz. [g]				
	213 [6039]	213 [6039]	213 [6039]	213 [6039]
Weights				
Net Weight lbs. [kg]	873 [396]	874 [396]	863 [391]	873 [396]
Ship Weight lbs. [kg]	912 [414]	913 [414]	902 [409]	912 [414]

See Page 38 for Notes.

[] Designates Metric Conversions

NOM. SIZES 7.5-10 TONS [26.4-35.1 kW] ASHRAE 90.1-2007 COMPLIANT MODELS

Model RHPDZS Series	120AYC
Cooling Performance¹	
Gross Cooling Capacity Btu [kW]	119,000 [34.87]
EER/SEER ²	11/NA
Nominal CFM/AHRI Rated CFM [L/s]	4000/4060 [1888/1916]
AHRI Net Cooling Capacity Btu [kW]	114,000 [33.4]
Net Sensible Capacity Btu [kW]	82,800 [24.26]
Net Latent Capacity Btu [kW]	31,200 [9.14]
IEER ³	12.2
Net System Power kW	10.13
Heating Performance (Heat Pumps)	
High Temp. Btuh [kW] Rating	114,000 [33.4]
System Power KW / COP	9.03/3.3
Low Temp. Btuh [kW] Rating	72,000 [21.1]
System Power KW / COP	8.3/2.3
Compressor	
No./Type	1/Scroll
Outdoor Sound Rating (dB)⁴	
88	
Outdoor Coil - Fin Type	
Louvered	
Tube Type	MicroChannel
MicroChannel Depth in. [mm]	1.26 [32]
Face Area sq. ft. [sq. m]	28.8 [2.68]
Rows / FPI [FPcm]	1 / 16 [6]
Refrigerant Control	TX Valves
Indoor Coil - Fin Type	
Louvered	
Tube Type	MicroChannel
MicroChannel Depth in. [mm]	1.26 [32]
Face Area sq. ft. [sq. m]	13.2 [1.23]
Rows / FPI [FPcm]	1 / 20 [8]
Refrigerant Control	TX Valves
Drain Connection No./Size in. [mm]	1/0.75 [19.05]
Outdoor Fan - Type	
Propeller	
No. Used/Diameter in. [mm]	2/24 [609.6]
Drive Type/No. Speeds	Direct/1
CFM [L/s]	8000 [3775]
No. Motors/HP	2 at 1/2 HP
Motor RPM	1075
Indoor Fan - Type	
FC Centrifugal	
No. Used/Diameter in. [mm]	1/15x15 [381x381]
Drive Type	Belt (Adjustable)
No. Speeds	Single
No. Motors	1
Motor HP	3
Motor RPM	1725
Motor Frame Size	56
Filter - Type	
Disposable	
Furnished	Yes
(NO.) Size Recommended in. [mm x mm x mm]	(4)2x25x20 [51x635x508]
Refrigerant Charge Oz. [g]	
213 [6039]	
Weights	
Net Weight lbs. [kg]	874 [396]
Ship Weight lbs. [kg]	913 [414]

See Page 38 for Notes.

[] Designates Metric Conversions

NOM. SIZES 7.5-10 TONS [26.4-35.1 kW] ASHRAE 90.1-2007 COMPLIANT MODELS

Model RHPDZT Series	090ACF	090ACG	090ACH	090ADF
Cooling Performance¹				CONTINUED →
Gross Cooling Capacity Btu [kW]	89,000 [26.08]	89,000 [26.08]	89,000 [26.08]	89,000 [26.08]
EER/SEER ²	11/NA	11/NA	11/NA	11/NA
Nominal CFM/AHRI Rated CFM [L/s]	3000/3030 [1416/1430]	3000/3030 [1416/1430]	3000/3030 [1416/1430]	3000/3030 [1416/1430]
AHRI Net Cooling Capacity Btu [kW]	86,000 [25.2]	86,000 [25.2]	86,000 [25.2]	86,000 [25.2]
Net Sensible Capacity Btu [kW]	62,800 [18.4]	62,800 [18.4]	62,800 [18.4]	62,800 [18.4]
Net Latent Capacity Btu [kW]	23,200 [6.8]	23,200 [6.8]	23,200 [6.8]	23,200 [6.8]
IEER ³	14.1	14.1	14.1	14.1
Net System Power kW	7.55	7.55	7.55	7.55
Heating Performance (Heat Pumps)				
High Temp. Btuh [kW] Rating	86,000 [25.2]	86,000 [25.2]	86,000 [25.2]	86,000 [25.2]
System Power KW / COP	6.84/3.4	6.84/3.4	6.84/3.4	6.84/3.4
Low Temp. Btuh [kW] Rating	48,000 [14.06]	48,000 [14.06]	48,000 [14.06]	48,000 [14.06]
System Power KW / COP	6.44/2.3	6.44/2.3	6.44/2.3	6.44/2.3
Compressor				
No./Type	1/Scroll	1/Scroll	1/Scroll	1/Scroll
Outdoor Sound Rating (dB)⁴	88	88	88	88
Outdoor Coil - Fin Type	Louvered	Louvered	Louvered	Louvered
Tube Type	MicroChannel	MicroChannel	MicroChannel	MicroChannel
MicroChannel Depth in. [mm]	1 [25.4]	1 [25.4]	1 [25.4]	1 [25.4]
Face Area sq. ft. [sq. m]	22.8 [2.12]	22.8 [2.12]	22.8 [2.12]	22.8 [2.12]
Rows / FPI [FPcm]	1 / 16 [6]	1 / 16 [6]	1 / 16 [6]	1 / 16 [6]
Refrigerant Control	TX Valves	TX Valves	TX Valves	TX Valves
Indoor Coil - Fin Type	Louvered	Louvered	Louvered	Louvered
Tube Type	MicroChannel	MicroChannel	MicroChannel	MicroChannel
MicroChannel Depth in. [mm]	1.26 [32]	1.26 [32]	1.26 [32]	1.26 [32]
Face Area sq. ft. [sq. m]	10.9 [1.01]	10.9 [1.01]	10.9 [1.01]	10.9 [1.01]
Rows / FPI [FPcm]	1 / 20 [8]	1 / 20 [8]	1 / 20 [8]	1 / 20 [8]
Refrigerant Control	TX Valves	TX Valves	TX Valves	TX Valves
Drain Connection No./Size in. [mm]	1/0.75 [19.05]	1/0.75 [19.05]	1/0.75 [19.05]	1/0.75 [19.05]
Outdoor Fan - Type	Propeller	Propeller	Propeller	Propeller
No. Used/Diameter in. [mm]	2/24 [609.6]	2/24 [609.6]	2/24 [609.6]	2/24 [609.6]
Drive Type/No. Speeds	Direct/1	Direct/1	Direct/1	Direct/1
CFM [L/s]	8000 [3775]	8000 [3775]	8000 [3775]	8000 [3775]
No. Motors/HP	2 at 1/2 HP	2 at 1/2 HP	2 at 1/2 HP	2 at 1/2 HP
Motor RPM	1075	1075	1075	1075
Indoor Fan - Type	FC Centrifugal	FC Centrifugal	FC Centrifugal	FC Centrifugal
No. Used/Diameter in. [mm]	1/15x15 [381x381]	1/15x15 [381x381]	1/15x15 [381x381]	1/15x15 [381x381]
Drive Type	Belt (Adjustable)	Belt (Adjustable)	Belt (Adjustable)	Belt (Adjustable)
No. Speeds	Single	Single	Single	Single
No. Motors	1	1	1	1
Motor HP	2	3	3	2
Motor RPM	1725	1725	1725	1725
Motor Frame Size	56	56	56	56
Filter - Type	Disposable	Disposable	Disposable	Disposable
Furnished	Yes	Yes	Yes	Yes
(NO.) Size Recommended in. [mm x mm x mm]	(4)2x20x20 [51x508x508]	(4)2x20x20 [51x508x508]	(4)2x20x20 [51x508x508]	(4)2x20x20 [51x508x508]
Refrigerant Charge Oz. [g]	179 [5075]	179 [5075]	179 [5075]	179 [5075]
Weights				
Net Weight lbs. [kg]	775 [352]	785 [356]	786 [357]	775 [352]
Ship Weight lbs. [kg]	814 [369]	824 [374]	825 [374]	814 [369]

See Page 38 for Notes.

[] Designates Metric Conversions



NOM. SIZES 7.5-10 TONS [26.4-35.1 kW] ASHRAE 90.1-2007 COMPLIANT MODELS

Model RHPDZT Series	090ADG	090ADH	102ACF	102ACG
Cooling Performance¹				CONTINUED →
Gross Cooling Capacity Btu [kW]	89,000 [26.08]	89,000 [26.08]	101,000 [29.59]	101,000 [29.59]
EER/SEER ²	11/NA	11/NA	11/NA	11/NA
Nominal CFM/AHRI Rated CFM [L/s]	3000/3030 [1416/1430]	3000/3030 [1416/1430]	3400/3345 [1604/1579]	3400/3345 [1604/1579]
AHRI Net Cooling Capacity Btu [kW]	86,000 [25.2]	86,000 [25.2]	98,000 [28.71]	98,000 [28.71]
Net Sensible Capacity Btu [kW]	62,800 [18.4]	62,800 [18.4]	71,000 [20.8]	71,000 [20.8]
Net Latent Capacity Btu [kW]	23,200 [6.8]	23,200 [6.8]	27,000 [7.91]	27,000 [7.91]
IEER ³	14.1	14.1	14.1	14.1
Net System Power kW	7.55	7.55	8.47	8.47
Heating Performance (Heat Pumps)				
High Temp. Btuh [kW] Rating	86,000 [25.2]	86,000 [25.2]	98,000 [28.71]	98,000 [28.71]
System Power KW / COP	6.84/3.4	6.84/3.4	7.99/3.4	7.99/3.4
Low Temp. Btuh [kW] Rating	48,000 [14.06]	48,000 [14.06]	60,000 [17.58]	60,000 [17.58]
System Power KW / COP	6.44/2.3	6.44/2.3	7.54/2.3	7.54/2.3
Compressor				
No./Type	1/Scroll	1/Scroll	1/Scroll	1/Scroll
Outdoor Sound Rating (dB)⁴				
	88	88	88	88
Outdoor Coil - Fin Type				
Tube Type	Louvered	Louvered	Louvered	Louvered
MicroChannel Depth in. [mm]	MicroChannel	MicroChannel	MicroChannel	MicroChannel
Face Area sq. ft. [sq. m]	1 [25.4]	1 [25.4]	1.26 [32]	1.26 [32]
Rows / FPI [FPcm]	22.8 [2.12]	22.8 [2.12]	22.4 [2.08]	22.4 [2.08]
Refrigerant Control	1 / 16 [6]	1 / 16 [6]	1 / 16 [6]	1 / 16 [6]
	TX Valves	TX Valves	TX Valves	TX Valves
Indoor Coil - Fin Type				
Tube Type	Louvered	Louvered	Louvered	Louvered
MicroChannel Depth in. [mm]	MicroChannel	MicroChannel	MicroChannel	MicroChannel
Face Area sq. ft. [sq. m]	1.26 [32]	1.26 [32]	1.26 [32]	1.26 [32]
Rows / FPI [FPcm]	10.9 [1.01]	10.9 [1.01]	10.9 [1.01]	10.9 [1.01]
Refrigerant Control	1 / 20 [8]	1 / 20 [8]	1 / 20 [8]	1 / 20 [8]
Drain Connection No./Size in. [mm]	TX Valves	TX Valves	TX Valves	TX Valves
	1/0.75 [19.05]	1/0.75 [19.05]	1/0.75 [19.05]	1/0.75 [19.05]
Outdoor Fan - Type				
No. Used/Diameter in. [mm]	Propeller	Propeller	Propeller	Propeller
Drive Type/No. Speeds	2/24 [609.6]	2/24 [609.6]	2/24 [609.6]	2/24 [609.6]
CFM [L/s]	Direct/1	Direct/1	Direct/1	Direct/1
No. Motors/HP	8000 [3775]	8000 [3775]	8000 [3775]	8000 [3775]
Motor RPM	2 at 1/2 HP	2 at 1/2 HP	2 at 1/2 HP	2 at 1/2 HP
	1075	1075	1075	1075
Indoor Fan - Type				
No. Used/Diameter in. [mm]	FC Centrifugal	FC Centrifugal	FC Centrifugal	FC Centrifugal
Drive Type	1/15x15 [381x381]	1/15x15 [381x381]	1/15x15 [381x381]	1/15x15 [381x381]
No. Speeds	Belt (Adjustable)	Belt (Adjustable)	Belt (Adjustable)	Belt (Adjustable)
No. Motors	Single	Single	Single	Single
Motor HP	1	1	1	1
Motor RPM	3	3	2	3
Motor Frame Size	1725	1725	1725	1725
	56	56	56	56
Filter - Type				
Furnished	Disposable	Disposable	Disposable	Disposable
(NO.) Size Recommended in. [mm x mm x mm]	Yes	Yes	Yes	Yes
	(4)2x20x20 [51x508x508]	(4)2x20x20 [51x508x508]	(4)2x20x20 [51x508x508]	(4)2x20x20 [51x508x508]
Refrigerant Charge Oz. [g]				
	179 [5075]	179 [5075]	197 [5585]	197 [5585]
Weights				
Net Weight lbs. [kg]	785 [356]	786 [357]	811 [368]	821 [372]
Ship Weight lbs. [kg]	824 [374]	825 [374]	850 [386]	860 [390]

See Page 38 for Notes.

[] Designates Metric Conversions

NOM. SIZES 7.5-10 TONS [26.4-35.1 kW] ASHRAE 90.1-2007 COMPLIANT MODELS

Model RHPDZT Series	102ACH	102ADF	102ADG	102ADH
Cooling Performance¹				CONTINUED →
Gross Cooling Capacity Btu [kW]	101,000 [29.59]	101,000 [29.59]	101,000 [29.59]	101,000 [29.59]
EER/SEER ²	11/NA	11/NA	11/NA	11/NA
Nominal CFM/AHRI Rated CFM [L/s]	3400/3345 [1604/1579]	3400/3345 [1604/1579]	3400/3345 [1604/1579]	3400/3345 [1604/1579]
AHRI Net Cooling Capacity Btu [kW]	98,000 [28.71]	98,000 [28.71]	98,000 [28.71]	98,000 [28.71]
Net Sensible Capacity Btu [kW]	71,000 [20.8]	71,000 [20.8]	71,000 [20.8]	71,000 [20.8]
Net Latent Capacity Btu [kW]	27,000 [7.91]	27,000 [7.91]	27,000 [7.91]	27,000 [7.91]
IEER ³	14.1	14.1	14.1	14.1
Net System Power kW	8.47	8.47	8.47	8.47
Heating Performance (Heat Pumps)				
High Temp. Btuh [kW] Rating	98,000 [28.71]	98,000 [28.71]	98,000 [28.71]	98,000 [28.71]
System Power KW / COP	7.99/3.4	7.99/3.4	7.99/3.4	7.99/3.4
Low Temp. Btuh [kW] Rating	60,000 [17.58]	60,000 [17.58]	60,000 [17.58]	60,000 [17.58]
System Power KW / COP	7.54/2.3	7.54/2.3	7.54/2.3	7.54/2.3
Compressor				
No./Type	1/Scroll	1/Scroll	1/Scroll	1/Scroll
Outdoor Sound Rating (dB)⁴	88	88	88	88
Outdoor Coil - Fin Type	Louvered	Louvered	Louvered	Louvered
Tube Type	MicroChannel	MicroChannel	MicroChannel	MicroChannel
MicroChannel Depth in. [mm]	1.26 [32]	1.26 [32]	1.26 [32]	1.26 [32]
Face Area sq. ft. [sq. m]	22.4 [2.08]	22.4 [2.08]	22.4 [2.08]	22.4 [2.08]
Rows / FPI [FPcm]	1 / 16 [6]	1 / 16 [6]	1 / 16 [6]	1 / 16 [6]
Refrigerant Control	TX Valves	TX Valves	TX Valves	TX Valves
Indoor Coil - Fin Type	Louvered	Louvered	Louvered	Louvered
Tube Type	MicroChannel	MicroChannel	MicroChannel	MicroChannel
MicroChannel Depth in. [mm]	1.26 [32]	1.26 [32]	1.26 [32]	1.26 [32]
Face Area sq. ft. [sq. m]	10.9 [1.01]	10.9 [1.01]	10.9 [1.01]	10.9 [1.01]
Rows / FPI [FPcm]	1 / 20 [8]	1 / 20 [8]	1 / 20 [8]	1 / 20 [8]
Refrigerant Control	TX Valves	TX Valves	TX Valves	TX Valves
Drain Connection No./Size in. [mm]	1/0.75 [19.05]	1/0.75 [19.05]	1/0.75 [19.05]	1/0.75 [19.05]
Outdoor Fan - Type	Propeller	Propeller	Propeller	Propeller
No. Used/Diameter in. [mm]	2/24 [609.6]	2/24 [609.6]	2/24 [609.6]	2/24 [609.6]
Drive Type/No. Speeds	Direct/1	Direct/1	Direct/1	Direct/1
CFM [L/s]	8000 [3775]	8000 [3775]	8000 [3775]	8000 [3775]
No. Motors/HP	2 at 1/2 HP	2 at 1/2 HP	2 at 1/2 HP	2 at 1/2 HP
Motor RPM	1075	1075	1075	1075
Indoor Fan - Type	FC Centrifugal	FC Centrifugal	FC Centrifugal	FC Centrifugal
No. Used/Diameter in. [mm]	1/15x15 [381x381]	1/15x15 [381x381]	1/15x15 [381x381]	1/15x15 [381x381]
Drive Type	Belt (Adjustable)	Belt (Adjustable)	Belt (Adjustable)	Belt (Adjustable)
No. Speeds	Single	Single	Single	Single
No. Motors	1	1	1	1
Motor HP	3	2	3	3
Motor RPM	1725	1725	1725	1725
Motor Frame Size	56	56	56	56
Filter - Type	Disposable	Disposable	Disposable	Disposable
Furnished	Yes	Yes	Yes	Yes
(NO.) Size Recommended in. [mm x mm x mm]	(4)2x20x20 [51x508x508]	(4)2x20x20 [51x508x508]	(4)2x20x20 [51x508x508]	(4)2x20x20 [51x508x508]
Refrigerant Charge Oz. [g]	197 [5585]	197 [5585]	197 [5585]	197 [5585]
Weights				
Net Weight lbs. [kg]	822 [373]	811 [368]	821 [372]	822 [373]
Ship Weight lbs. [kg]	861 [391]	850 [386]	860 [390]	861 [391]

See Page 38 for Notes.

[] Designates Metric Conversions



NOM. SIZES 7.5-10 TONS [26.4-35.1 kW] ASHRAE 90.1-2007 COMPLIANT MODELS

Model RHPDZT Series	120ACF	120ACG	120ACH	120ADF
Cooling Performance¹				CONTINUED →
Gross Cooling Capacity Btu [kW]	119,000 [34.87]	119,000 [34.87]	119,000 [34.87]	119,000 [34.87]
EER/SEER ²	11/NA	11/NA	11/NA	11/NA
Nominal CFM/AHRI Rated CFM [L/s]	4000/4060 [1888/1916]	4000/4060 [1888/1916]	4000/4060 [1888/1916]	4000/4060 [1888/1916]
AHRI Net Cooling Capacity Btu [kW]	114,000 [33.4]	114,000 [33.4]	114,000 [33.4]	114,000 [33.4]
Net Sensible Capacity Btu [kW]	82,800 [24.26]	82,800 [24.26]	82,800 [24.26]	82,800 [24.26]
Net Latent Capacity Btu [kW]	31,200 [9.14]	31,200 [9.14]	31,200 [9.14]	31,200 [9.14]
IEER ³	14.1	14.1	14.1	14.1
Net System Power kW	10.13	10.13	10.13	10.13
Heating Performance (Heat Pumps)				
High Temp. Btuh [kW] Rating	114,000 [33.4]	114,000 [33.4]	114,000 [33.4]	114,000 [33.4]
System Power KW / COP	9.03/3.4	9.03/3.4	9.03/3.4	9.03/3.4
Low Temp. Btuh [kW] Rating	72,000 [21.1]	72,000 [21.1]	72,000 [21.1]	72,000 [21.1]
System Power KW / COP	8.3/2.3	8.3/2.3	8.3/2.3	8.3/2.3
Compressor				
No./Type	1/Scroll	1/Scroll	1/Scroll	1/Scroll
Outdoor Sound Rating (dB)⁴				
	88	88	88	88
Outdoor Coil - Fin Type				
Tube Type	Louvered	Louvered	Louvered	Louvered
MicroChannel Depth in. [mm]	MicroChannel	MicroChannel	MicroChannel	MicroChannel
Face Area sq. ft. [sq. m]	1.26 [32]	1.26 [32]	1.26 [32]	1.26 [32]
Rows / FPI [FPcm]	28.8 [2.68]	28.8 [2.68]	28.8 [2.68]	28.8 [2.68]
Refrigerant Control	1 / 16 [6]	1 / 16 [6]	1 / 16 [6]	1 / 16 [6]
	TX Valves	TX Valves	TX Valves	TX Valves
Indoor Coil - Fin Type				
Tube Type	Louvered	Louvered	Louvered	Louvered
MicroChannel Depth in. [mm]	MicroChannel	MicroChannel	MicroChannel	MicroChannel
Face Area sq. ft. [sq. m]	1.26 [32]	1.26 [32]	1.26 [32]	1.26 [32]
Rows / FPI [FPcm]	13.2 [1.23]	13.2 [1.23]	13.2 [1.23]	13.2 [1.23]
Refrigerant Control	1 / 20 [8]	1 / 20 [8]	1 / 20 [8]	1 / 20 [8]
Drain Connection No./Size in. [mm]	TX Valves	TX Valves	TX Valves	TX Valves
	1/0.75 [19.05]	1/0.75 [19.05]	1/0.75 [19.05]	1/0.75 [19.05]
Outdoor Fan - Type				
No. Used/Diameter in. [mm]	Propeller	Propeller	Propeller	Propeller
Drive Type/No. Speeds	2/24 [609.6]	2/24 [609.6]	2/24 [609.6]	2/24 [609.6]
CFM [L/s]	Direct/1	Direct/1	Direct/1	Direct/1
No. Motors/HP	8000 [3775]	8000 [3775]	8000 [3775]	8000 [3775]
Motor RPM	2 at 1/2 HP	2 at 1/2 HP	2 at 1/2 HP	2 at 1/2 HP
	1075	1075	1075	1075
Indoor Fan - Type				
No. Used/Diameter in. [mm]	FC Centrifugal	FC Centrifugal	FC Centrifugal	FC Centrifugal
Drive Type	1/15x15 [381x381]	1/15x15 [381x381]	1/15x15 [381x381]	1/15x15 [381x381]
No. Speeds	Belt (Adjustable)	Belt (Adjustable)	Belt (Adjustable)	Belt (Adjustable)
No. Motors	Single	Single	Single	Single
Motor HP	1	1	1	1
Motor RPM	2	3	3	2
Motor Frame Size	1725	1725	1725	1725
	56	56	56	56
Filter - Type				
Furnished	Disposable	Disposable	Disposable	Disposable
(NO.) Size Recommended in. [mm x mm x mm]	Yes	Yes	Yes	Yes
	(4)2x25x20 [51x635x508]	(4)2x25x20 [51x635x508]	(4)2x25x20 [51x635x508]	(4)2x25x20 [51x635x508]
Refrigerant Charge Oz. [g]				
	213 [6039]	213 [6039]	213 [6039]	213 [6039]
Weights				
Net Weight lbs. [kg]	863 [391]	873 [396]	874 [396]	863 [391]
Ship Weight lbs. [kg]	902 [409]	912 [414]	913 [414]	902 [409]

See Page 38 for Notes.

[] Designates Metric Conversions

NOM. SIZES 7.5-10 TONS [26.4-35.1 kW] ASHRAE 90.1-2007 COMPLIANT MODELS

Model RHPDZT Series	120ADG	120ADH
Cooling Performance¹		
Gross Cooling Capacity Btu [kW]	119,000 [34.87]	119,000 [34.87]
EER/SEER ²	11/NA	11/NA
Nominal CFM/AHRI Rated CFM [L/s]	4000/4060 [1888/1916]	4000/4060 [1888/1916]
AHRI Net Cooling Capacity Btu [kW]	114,000 [33.4]	114,000 [33.4]
Net Sensible Capacity Btu [kW]	82,800 [24.26]	82,800 [24.26]
Net Latent Capacity Btu [kW]	31,200 [9.14]	31,200 [9.14]
IEER ³	14.1	14.1
Net System Power kW	10.13	10.13
Heating Performance (Heat Pumps)		
High Temp. Btuh [kW] Rating	114,000 [33.4]	114,000 [33.4]
System Power KW / COP	9.03/3.4	9.03/3.4
Low Temp. Btuh [kW] Rating	72,000 [21.1]	72,000 [21.1]
System Power KW / COP	8.3/2.3	8.3/2.3
Compressor		
No./Type	1/Scroll	1/Scroll
Outdoor Sound Rating (dB)⁴		
	88	88
Outdoor Coil - Fin Type		
Tube Type	Louvered	Louvered
MicroChannel Depth in. [mm]	MicroChannel	MicroChannel
MicroChannel Depth in. [mm]	1.26 [32]	1.26 [32]
Face Area sq. ft. [sq. m]	28.8 [2.68]	28.8 [2.68]
Rows / FPI [FPcm]	1 / 16 [6]	1 / 16 [6]
Refrigerant Control	TX Valves	TX Valves
Indoor Coil - Fin Type		
Tube Type	Louvered	Louvered
MicroChannel Depth in. [mm]	MicroChannel	MicroChannel
MicroChannel Depth in. [mm]	1.26 [32]	1.26 [32]
Face Area sq. ft. [sq. m]	13.2 [1.23]	13.2 [1.23]
Rows / FPI [FPcm]	1 / 20 [8]	1 / 20 [8]
Refrigerant Control	TX Valves	TX Valves
Drain Connection No./Size in. [mm]	1/0.75 [19.05]	1/0.75 [19.05]
Outdoor Fan - Type		
	Propeller	Propeller
No. Used/Diameter in. [mm]	2/24 [609.6]	2/24 [609.6]
Drive Type/No. Speeds	Direct/1	Direct/1
CFM [L/s]	8000 [3775]	8000 [3775]
No. Motors/HP	2 at 1/2 HP	2 at 1/2 HP
Motor RPM	1075	1075
Indoor Fan - Type		
	FC Centrifugal	FC Centrifugal
No. Used/Diameter in. [mm]	1/15x15 [381x381]	1/15x15 [381x381]
Drive Type	Belt (Adjustable)	Belt (Adjustable)
No. Speeds	Single	Single
No. Motors	1	1
Motor HP	3	3
Motor RPM	1725	1725
Motor Frame Size	56	56
Filter - Type		
	Disposable	Disposable
Furnished	Yes	Yes
(NO.) Size Recommended in. [mm x mm x mm]	(4)2x25x20 [51x635x508]	(4)2x25x20 [51x635x508]
Refrigerant Charge Oz. [g]		
	213 [6039]	213 [6039]
Weights		
Net Weight lbs. [kg]	873 [396]	874 [396]
Ship Weight lbs. [kg]	912 [414]	913 [414]

See Page 38 for Notes.

[] Designates Metric Conversions

NOTES:

1. Cooling Performance is rated at 95° F ambient, 80° F entering dry bulb, 67° F entering wet bulb. Gross capacity does not include the effect of fan motor heat. AHRI capacity is net and includes the effect of fan motor heat. Units are suitable for operation to $\pm 20\%$ of nominal cfm. Units are certified in accordance with the Unitary Air Conditioner Equipment certification program, which is based on AHRI Standard 340/360.
2. EER and/or SEER are rated at AHRI conditions and in accordance with DOE test procedures.
3. Integrated Energy Efficiency Ratio (IEER) is rated in accordance with AHRI Standard 340/360.
4. Outdoor Sound Rating shown is tested in accordance with AHRI Standard 270.

[] Designates Metric Conversions

COOLING PERFORMANCE DATA — RHPDZR090A



wBE		ENTERING INDOOR AIR @ 80°F [26.7°C] dbE ①											
		71°F [21.7°C]		67°F [19.4°C]		63°F [17.2°C]		61°F [16.1°C]		59°F [15.0°C]			
CFM [L/s]	DR ①	3600 [1699]	3030 [1430]	2400 [1133]	3600 [1699]	3030 [1430]	2400 [1133]	3600 [1699]	3030 [1430]	2400 [1133]	3600 [1699]	3030 [1430]	2400 [1133]
75 [23.9]	Total BTUH [kW]	110.7 [32.4]	107.0 [31.4]	103.0 [30.2]	104.3 [30.6]	100.8 [29.5]	97.0 [28.4]	98.7 [28.9]	95.4 [28.0]	91.8 [26.9]	96.4 [28.2]	93.2 [27.3]	89.7 [26.3]
	Sens BTUH [kW]	69.1 [20.3]	63.6 [18.6]	57.4 [16.8]	81.4 [23.9]	74.8 [21.9]	67.6 [19.8]	93.9 [27.5]	86.3 [25.3]	77.9 [22.8]	94.5 [27.7]	87.9 [25.8]	79.4 [23.3]
	Power	5.6	5.5	5.4	5.5	5.5	5.4	5.4	5.4	5.4	5.4	5.4	5.3
80 [26.7]	Total BTUH [kW]	107.7 [31.5]	104.1 [30.5]	100.2 [29.4]	101.3 [29.7]	97.9 [28.7]	94.2 [27.6]	95.7 [28.0]	92.6 [27.1]	89.1 [26.1]	93.4 [26.8]	90.3 [26.5]	86.9 [25.5]
	Sens BTUH [kW]	66.5 [19.5]	61.1 [17.9]	55.2 [16.2]	78.8 [23.1]	72.4 [21.2]	65.4 [19.2]	88.1 [25.8]	81.0 [23.7]	73.1 [21.4]	91.2 [26.7]	85.5 [25.0]	77.2 [22.6]
	Power	5.9	5.8	5.7	5.8	5.8	5.7	5.7	5.7	5.6	5.7	5.7	5.5
85 [29.4]	Total BTUH [kW]	104.6 [30.7]	101.2 [29.6]	97.3 [28.5]	98.2 [28.8]	95.0 [27.8]	91.4 [26.8]	92.7 [27.2]	89.6 [26.3]	86.2 [25.3]	90.4 [26.5]	87.4 [25.6]	84.1 [24.6]
	Sens BTUH [kW]	64.0 [18.7]	58.8 [17.2]	53.1 [15.6]	76.2 [22.3]	70.1 [20.5]	63.3 [18.5]	85.6 [25.1]	78.7 [23.0]	71.0 [20.8]	88.7 [26.0]	81.5 [23.9]	73.6 [21.6]
	Power	6.2	6.1	6.0	6.1	6.0	5.9	6.1	6.0	5.9	6.0	5.9	5.8
90 [32.2]	Total BTUH [kW]	101.5 [29.8]	98.2 [28.8]	94.5 [27.7]	95.1 [27.9]	92.0 [27.0]	88.5 [25.9]	89.6 [26.2]	86.6 [25.4]	83.3 [24.4]	87.3 [25.6]	84.4 [24.7]	81.2 [23.8]
	Sens BTUH [kW]	61.5 [18.0]	56.6 [16.6]	51.1 [15.0]	73.8 [21.6]	67.8 [19.9]	61.3 [18.0]	83.2 [24.4]	76.4 [22.4]	69.0 [20.2]	86.3 [25.3]	79.3 [23.2]	71.6 [21.0]
	Power	6.5	6.4	6.3	6.5	6.5	6.3	6.4	6.4	6.3	6.4	6.2	6.1
95 [35]	Total BTUH [kW]	98.4 [28.8]	95.1 [27.9]	91.5 [26.8]	92.0 [27.0]	88.9 [26.1]	85.6 [25.1]	86.4 [25.3]	83.6 [24.5]	80.4 [23.6]	84.1 [24.6]	81.3 [23.8]	78.3 [22.9]
	Sens BTUH [kW]	59.3 [17.4]	54.5 [16.0]	49.2 [14.4]	71.5 [21.0]	65.7 [19.3]	59.4 [17.4]	80.9 [23.7]	74.3 [21.8]	67.1 [19.7]	84.0 [24.6]	77.2 [22.6]	69.7 [20.4]
	Power	6.9	6.8	6.6	6.8	6.7	6.6	6.7	6.7	6.6	6.7	6.6	6.5
100 [37.8]	Total BTUH [kW]	95.2 [27.9]	92.0 [27.0]	88.5 [25.9]	88.8 [26.0]	85.8 [25.2]	82.6 [24.2]	83.2 [24.4]	80.5 [23.6]	77.4 [22.7]	80.9 [23.7]	78.2 [22.9]	75.3 [22.1]
	Sens BTUH [kW]	57.1 [16.7]	52.5 [15.4]	47.4 [13.9]	69.4 [20.3]	63.8 [18.7]	57.6 [16.9]	78.7 [23.1]	72.3 [21.2]	65.3 [19.1]	80.9 [23.7]	75.2 [22.0]	67.9 [19.9]
	Power	7.2	7.1	7.0	7.2	7.1	6.9	7.1	7.0	6.9	7.1	7.0	6.8
105 [40.6]	Total BTUH [kW]	91.9 [26.9]	88.9 [26.0]	85.5 [25.1]	85.5 [25.1]	82.7 [24.2]	79.6 [23.3]	80.0 [23.4]	77.3 [22.7]	74.4 [21.8]	77.7 [22.8]	75.1 [22.0]	72.2 [21.2]
	Sens BTUH [kW]	55.0 [16.1]	50.6 [14.8]	45.7 [13.4]	67.3 [19.7]	61.9 [18.1]	55.9 [16.4]	76.7 [22.5]	70.5 [20.7]	63.6 [18.6]	77.7 [22.8]	73.3 [21.5]	66.2 [19.4]
	Power	7.6	7.5	7.4	7.6	7.4	7.3	7.5	7.4	7.2	7.5	7.4	7.2
110 [43.3]	Total BTUH [kW]	88.6 [26.0]	85.7 [25.1]	82.4 [24.2]	82.2 [24.1]	79.5 [23.3]	76.5 [22.4]	76.7 [22.5]	74.1 [21.7]	71.3 [20.9]	74.3 [21.8]	71.9 [21.1]	69.2 [20.3]
	Sens BTUH [kW]	53.1 [15.6]	48.8 [14.3]	44.1 [12.9]	65.4 [19.2]	60.1 [17.6]	54.3 [15.9]	74.7 [21.9]	68.7 [20.1]	62.0 [18.2]	74.3 [21.8]	71.6 [21.0]	64.6 [18.9]
	Power	8.1	7.9	7.8	8.0	7.9	7.7	7.9	7.8	7.7	7.9	7.8	7.6
115 [46.1]	Total BTUH [kW]	85.2 [25.0]	82.4 [24.2]	79.3 [23.2]	78.9 [23.1]	76.3 [22.3]	73.4 [21.5]	73.3 [21.5]	70.9 [20.8]	68.2 [20.0]	71.0 [20.8]	68.6 [20.1]	66.0 [19.4]
	Sens BTUH [kW]	51.3 [15.0]	47.2 [13.8]	42.6 [12.5]	63.6 [18.6]	58.5 [17.1]	52.8 [15.5]	72.9 [21.4]	67.1 [19.6]	60.5 [17.7]	71.0 [20.8]	68.6 [20.1]	63.1 [18.5]
	Power	8.5	8.4	8.2	8.4	8.3	8.1	8.4	8.2	8.1	8.3	8.2	8.0
120 [48.9]	Total BTUH [kW]	81.8 [24.0]	79.1 [23.2]	76.1 [22.3]	75.4 [22.1]	73.0 [21.4]	70.2 [20.6]	69.9 [20.5]	67.6 [19.8]	65.0 [19.1]	67.6 [19.8]	65.3 [19.1]	62.9 [18.4]
	Sens BTUH [kW]	49.7 [14.6]	45.7 [13.4]	41.2 [12.1]	61.9 [18.1]	56.9 [16.7]	51.4 [15.1]	69.9 [20.5]	65.5 [19.2]	59.2 [17.3]	67.6 [19.8]	65.3 [19.1]	61.7 [18.1]
	Power	9.0	8.8	8.7	8.9	8.8	8.6	8.8	8.7	8.5	8.8	8.7	8.5
125 [51.7]	Total BTUH [kW]	78.4 [23.0]	75.8 [22.2]	72.9 [21.4]	72.0 [21.1]	69.6 [20.4]	67.0 [19.6]	66.4 [19.5]	64.2 [18.8]	61.8 [18.1]	64.1 [18.8]	62.0 [18.2]	59.6 [17.5]
	Sens BTUH [kW]	48.1 [14.1]	44.2 [13.0]	39.9 [11.7]	60.4 [17.7]	55.5 [16.3]	50.1 [14.7]	66.4 [19.5]	64.1 [18.8]	57.9 [17.0]	64.1 [18.8]	62.0 [18.2]	59.6 [17.5]
	Power	9.5	9.3	9.1	9.4	9.2	9.1	9.3	9.2	9.0	9.3	9.1	8.9

DR — Depression ratio
dbE — Entering air dry bulb
wBE — Entering air wet bulb

① When the entering air dry bulb is other than 80°F [27°C], adjust the sensible capacity from the table by adding [1.10 x CFM x (1 - DR) x (dbE - 80)].

[] Designates Metric Conversions

— Total capacity x 1000 BTUH
Sens — Sensible capacity x 1000 BTUH
Power — kW input





HEATING PERFORMANCE DATA – RHPDZR090A

IDB		60°F [15.5°C]			70°F [21.1°C]			80°F [26.7°C]			
		CFM [L/s]	3600 [1699]	3030 [1430]	2400 [1133]	3600 [1699]	3030 [1430]	2400 [1133]	3600 [1699]	3030 [1430]	2400 [1133]
O U T D O O R D R Y B U L B T E M P E R A T U R E	0°F [-17.8°C]	Total BTUH [kW] Power	30.3 [8.9] 4.8	29.9 [8.8] 4.9	29.5 [8.6] 5.0	27.5 [8.0] 5.3	27.1 [7.9] 5.5	26.7 [7.8] 5.6	24.6 [7.2] 5.9	24.3 [7.1] 6.1	23.9 [7.0] 6.2
	5°F [-15.0°C]	Total BTUH [kW] Power	36.3 [10.6] 4.8	35.9 [10.5] 5.0	35.3 [10.4] 5.1	33.5 [9.8] 5.4	33.0 [9.7] 5.5	32.6 [9.5] 5.7	30.6 [9.0] 6.0	30.2 [8.9] 6.1	29.8 [8.7] 6.3
	10°F [-12.2°C]	Total BTUH [kW] Power	42.4 [12.4] 4.9	41.8 [12.3] 5.0	41.2 [12.1] 5.1	39.5 [11.6] 5.4	39.0 [11.4] 5.6	38.4 [11.3] 5.7	36.7 [10.7] 6.0	36.2 [10.6] 6.2	35.6 [10.4] 6.4
	15°F [-9.4°C]	Total BTUH [kW] Power	48.4 [14.2] 4.9	47.8 [14.0] 5.1	47.1 [13.8] 5.2	45.6 [13.3] 5.5	44.9 [13.2] 5.6	44.3 [13.0] 5.8	42.7 [12.5] 6.1	42.1 [12.3] 6.3	41.5 [12.2] 6.4
	20°F [-6.7°C]	Total BTUH [kW] Power	54.4 [16.0] 5.0	53.7 [15.7] 5.1	52.9 [15.5] 5.3	51.6 [15.1] 5.5	50.9 [14.9] 5.7	50.1 [14.7] 5.8	48.7 [14.3] 6.2	48.1 [14.1] 6.3	47.4 [13.9] 6.5
	25°F [-3.9°C]	Total BTUH [kW] Power	60.5 [17.7] 5.1	59.7 [17.5] 5.2	58.8 [17.2] 5.3	57.6 [16.9] 5.6	56.9 [16.7] 5.7	56.0 [16.4] 5.9	54.8 [16.0] 6.2	54.0 [15.8] 6.4	53.2 [15.6] 6.5
	30°F [-1.1°C]	Total BTUH [kW] Power	66.5 [19.5] 5.1	65.6 [19.2] 5.2	64.7 [18.9] 5.4	63.7 [18.7] 5.7	62.8 [18.4] 5.8	61.9 [18.1] 5.9	60.8 [17.8] 6.3	60.0 [17.6] 6.4	59.1 [17.3] 6.6
	35°F [1.7°C]	Total BTUH [kW] Power	72.5 [21.3] 5.2	71.6 [21.0] 5.3	70.5 [20.7] 5.4	69.7 [20.4] 5.7	68.8 [20.2] 5.8	67.7 [19.9] 6.0	66.8 [19.6] 6.3	66.0 [19.3] 6.5	65.0 [19.0] 6.6
	40°F [4.4°C]	Total BTUH [kW] Power	78.6 [23.0] 5.2	77.5 [22.7] 5.3	76.4 [22.4] 5.5	75.7 [22.2] 5.8	74.7 [21.9] 5.9	73.6 [21.6] 6.1	72.9 [21.4] 6.4	71.9 [21.1] 6.5	70.8 [20.8] 6.7
	45°F [7.2°C]	Total BTUH [kW] Power	84.6 [24.8] 5.3	83.5 [24.5] 5.4	82.2 [24.1] 5.5	81.8 [24.0] 5.8	80.7 [23.6] 6.0	79.5 [23.3] 6.1	78.9 [23.1] 6.4	77.9 [22.8] 6.6	76.7 [22.5] 6.8
50°F [10.0°C]	Total BTUH [kW] Power	90.6 [26.6] 5.3	89.4 [26.2] 5.5	88.1 [25.8] 5.6	87.8 [25.7] 5.9	86.6 [25.4] 6.0	85.3 [25.0] 6.2	84.9 [24.9] 6.5	83.8 [24.6] 6.6	82.6 [24.2] 6.8	

IDB—Indoor air dry bulb

[] Designates Metric Conversions





HEATING PERFORMANCE DATA – RHPDZR102A

IDB		60°F [15.5°C]			70°F [21.1°C]			80°F [26.7°C]			
		CFM [L/s]	3840 [1812]	3345 [1579]	2560 [1208]	3840 [1812]	3345 [1579]	2560 [1208]	3840 [1812]	3345 [1579]	2560 [1208]
O U T D O O R D R Y B U L B T E M P E R A T U R E	0°F [-17.8°C]	Total BTUH [kW] Power	39.3 [11.5] 5.7	38.9 [11.4] 5.8	38.2 [11.2] 5.9	36.5 [10.7] 6.2	36.1 [10.6] 6.4	35.5 [10.4] 6.5	33.7 [9.9] 7.0	33.3 [9.8] 7.1	32.7 [9.6] 7.3
	5°F [-15.0°C]	Total BTUH [kW] Power	45.6 [13.4] 5.7	45.1 [13.2] 5.8	44.4 [13] 6.0	42.8 [12.5] 6.3	42.3 [12.4] 6.4	41.6 [12.2] 6.6	40.0 [11.7] 7.0	39.6 [11.6] 7.2	38.9 [11.4] 7.4
	10°F [-12.2°C]	Total BTUH [kW] Power	51.9 [15.2] 5.8	51.4 [15.1] 5.9	50.5 [14.8] 6.1	49.1 [14.4] 6.4	48.6 [14.2] 6.5	47.8 [14.0] 6.7	46.3 [13.6] 7.1	45.8 [13.4] 7.2	45.1 [13.2] 7.5
	15°F [-9.4°C]	Total BTUH [kW] Power	58.3 [17.1] 5.9	57.7 [16.9] 6.0	56.7 [16.6] 6.2	55.4 [16.2] 6.5	54.9 [16.1] 6.6	53.9 [15.8] 6.8	52.6 [15.4] 7.2	52.1 [15.3] 7.3	51.2 [15.0] 7.5
	20°F [-6.7°C]	Total BTUH [kW] Power	64.6 [18.9] 6.0	63.9 [18.7] 6.1	62.8 [18.4] 6.3	61.8 [18.1] 6.5	61.1 [17.9] 6.7	60.1 [17.6] 6.9	59 [17.3] 7.3	58.3 [17.1] 7.4	57.4 [16.8] 7.6
	25°F [-3.9°C]	Total BTUH [kW] Power	70.9 [20.8] 6.0	70.2 [20.6] 6.2	69 [20.2] 6.3	68.1 [20.0] 6.6	67.4 [19.7] 6.7	66.3 [19.4] 6.9	65.3 [19.1] 7.3	64.6 [18.9] 7.5	63.5 [18.6] 7.7
	30°F [-1.1°C]	Total BTUH [kW] Power	77.2 [22.6] 6.1	76.4 [22.4] 6.2	75.2 [22.0] 6.4	74.4 [21.8] 6.7	73.6 [21.6] 6.8	72.4 [21.2] 7.0	71.6 [21.0] 7.4	70.9 [20.8] 7.6	69.7 [20.4] 7.8
	35°F [1.7°C]	Total BTUH [kW] Power	83.6 [24.5] 6.2	82.7 [24.2] 6.3	81.3 [23.8] 6.5	80.8 [23.7] 6.8	79.9 [23.4] 6.9	78.6 [23.0] 7.1	77.9 [22.8] 7.5	77.1 [22.6] 7.6	75.8 [22.2] 7.9
	40°F [4.4°C]	Total BTUH [kW] Power	89.9 [26.3] 6.3	89.0 [26.1] 6.4	87.5 [25.6] 6.6	87.1 [25.5] 6.9	86.2 [25.2] 7.0	84.7 [24.8] 7.2	84.3 [24.7] 7.6	83.4 [24.4] 7.7	82.0 [24.0] 7.9
	45°F [7.2°C]	Total BTUH [kW] Power	96.2 [28.2] 6.3	95.2 [27.9] 6.5	93.6 [27.4] 6.7	93.4 [27.4] 6.9	92.4 [27.1] 7.1	90.9 [26.6] 7.3	90.6 [26.5] 7.7	89.6 [26.3] 7.8	88.1 [25.8] 8.0
50°F [10.0°C]	Total BTUH [kW] Power	102.5 [30.0] 6.4	101.5 [29.7] 6.5	99.8 [29.2] 6.7	99.7 [29.2] 7.0	98.7 [28.9] 7.1	97.0 [28.4] 7.3	96.9 [28.4] 7.7	95.9 [28.1] 7.9	94.3 [27.6] 8.1	

IDB—Indoor air dry bulb

[] Designates Metric Conversions





HEATING PERFORMANCE DATA – RHPDZR120A

IDB		60°F [15.5°C]			70°F [21.1°C]			80°F [26.7°C]			
		CFM [L/s]	4560 [2152]	4060 [1916]	3040 [1435]	4560 [2152]	4060 [1916]	3040 [1435]	4560 [2152]	4060 [1916]	3040 [1435]
O U T D O O R D R Y B U L B T E M P E R A T U R E ° F [° C]	0°F [-17.8°C]	Total BTUH [kW] Power	40.8 [12.0] 5.7	40.5 [11.9] 5.8	39.8 [11.6] 6.0	37.9 [11.1] 6.3	37.5 [11.0] 6.4	36.9 [10.8] 6.6	34.9 [10.2] 7.2	34.6 [10.1] 7.3	34.0 [10.0] 7.5
	5°F [-15.0°C]	Total BTUH [kW] Power	48.5 [14.2] 5.9	48.1 [14.1] 6.0	47.3 [13.8] 6.1	45.6 [13.4] 6.5	45.2 [13.2] 6.6	44.4 [13.0] 6.8	42.6 [12.5] 7.3	42.3 [12.4] 7.4	41.5 [12.2] 7.6
	10°F [-12.2°C]	Total BTUH [kW] Power	56.3 [16.5] 6.0	55.8 [16.3] 6.1	54.8 [16.0] 6.3	53.3 [15.6] 6.6	52.8 [15.5] 6.7	51.9 [15.2] 6.9	50.3 [14.8] 7.4	49.9 [14.6] 7.5	49.0 [14.4] 7.8
	15°F [-9.4°C]	Total BTUH [kW] Power	64.0 [18.7] 6.1	63.4 [18.6] 6.2	62.3 [18.3] 6.4	61.0 [17.9] 6.7	60.5 [17.7] 6.8	59.4 [17.4] 7.0	58.1 [17.0] 7.6	57.6 [16.9] 7.7	56.5 [16.6] 7.9
	20°F [-6.7°C]	Total BTUH [kW] Power	71.7 [21.0] 6.3	71.1 [20.8] 6.4	69.8 [20.5] 6.6	68.7 [20.1] 6.9	68.1 [20.0] 7.0	66.9 [19.6] 7.2	65.8 [19.3] 7.7	65.2 [19.1] 7.8	64.0 [18.8] 8.1
	25°F [-3.9°C]	Total BTUH [kW] Power	79.4 [23.3] 6.4	78.7 [23.1] 6.5	77.3 [22.7] 6.7	76.4 [22.4] 7.0	75.8 [22.2] 7.1	74.4 [21.8] 7.3	73.5 [21.5] 7.8	72.8 [21.3] 8.0	71.5 [21.0] 8.2
	30°F [-1.1°C]	Total BTUH [kW] Power	87.1 [25.5] 6.5	86.4 [25.3] 6.6	84.8 [24.9] 6.8	84.2 [24.7] 7.1	83.4 [24.4] 7.2	81.9 [24.0] 7.5	81.2 [23.8] 8.0	80.5 [23.6] 8.1	79.0 [23.2] 8.3
	35°F [1.7°C]	Total BTUH [kW] Power	94.8 [27.8] 6.7	94.0 [27.5] 6.8	92.3 [27.1] 7.0	91.9 [26.9] 7.3	91.1 [26.7] 7.4	89.4 [26.2] 7.6	88.9 [26.1] 8.1	88.1 [25.8] 8.2	86.6 [25.4] 8.5
	40°F [4.4°C]	Total BTUH [kW] Power	102.5 [30.0] 6.8	101.6 [29.8] 6.9	99.8 [29.3] 7.1	99.6 [29.2] 7.4	98.7 [28.9] 7.5	96.9 [28.4] 7.7	96.6 [28.3] 8.2	95.8 [28.1] 8.4	94.1 [27.6] 8.6
	45°F [7.2°C]	Total BTUH [kW] Power	110.3 [32.3] 6.9	109.3 [32.0] 7.0	107.3 [31.5] 7.3	107.3 [31.4] 7.5	106.4 [31.2] 7.6	104.5 [30.6] 7.9	104.3 [30.6] 8.4	103.4 [30.3] 8.5	101.6 [29.8] 8.8
	50°F [10.0°C]	Total BTUH [kW] Power	118 [34.6] 7.1	116.9 [34.3] 7.2	114.8 [33.7] 7.4	115 [33.7] 7.7	114 [33.4] 7.8	112.0 [32.8] 8.0	112.1 [32.8] 8.5	111.1 [32.5] 8.6	109.1 [32.0] 8.9

IDB—Indoor air dry bulb

[] Designates Metric Conversions



COOLING PERFORMANCE DATA — RHPDZS090A

wBE		ENTERING INDOOR AIR @ 80°F [26.7°C] dbE ①														
		71°F [21.7°C]			67°F [19.4°C]			63°F [17.2°C]			61°F [16.1°C]			59°F [15.0°C]		
CFM [L/s]	DR ①	3600 [1699]	3030 [1430]	2400 [1133]	3600 [1699]	3030 [1430]	2400 [1133]	3600 [1699]	3030 [1430]	2400 [1133]	3600 [1699]	3030 [1430]	2400 [1133]	3600 [1699]	3030 [1430]	2400 [1133]
75 [23.9]	Total BTUH [kW]	108.7 [31.8]	105.1 [30.8]	101.1 [29.6]	102.4 [30.0]	99.1 [29.0]	95.3 [27.9]	97.5 [28.6]	94.3 [27.6]	90.7 [26.6]	95.7 [28.0]	92.5 [27.1]	89.0 [26.1]	94.5 [27.7]	91.4 [26.8]	87.9 [25.8]
	Sens BTUH [kW]	62.9 [18.4]	57.8 [16.9]	52.2 [15.3]	75.7 [22.2]	69.6 [20.4]	62.8 [18.4]	85.9 [25.2]	78.9 [23.1]	71.3 [20.9]	89.6 [26.2]	82.3 [24.1]	74.4 [21.8]	92.0 [27.0]	84.6 [24.8]	76.4 [22.4]
	Power	5.7	5.6	5.5	5.6	5.5	5.4	5.6	5.5	5.4	5.6	5.5	5.4	5.5	5.5	5.4
80 [26.7]	Total BTUH [kW]	106.3 [31.1]	102.8 [30.1]	98.9 [29.0]	100.1 [29.3]	96.8 [28.4]	93.1 [27.3]	95.1 [27.9]	92.0 [27.0]	88.5 [25.9]	93.3 [27.3]	90.2 [26.4]	86.8 [25.4]	92.1 [27.0]	89.1 [26.1]	85.7 [25.1]
	Sens BTUH [kW]	62.2 [18.2]	57.2 [16.8]	51.6 [15.1]	75.0 [22.0]	68.9 [20.2]	62.2 [18.2]	85.2 [25.0]	78.3 [22.9]	70.7 [20.7]	88.9 [26.0]	81.7 [23.9]	73.8 [21.6]	91.3 [26.8]	83.9 [24.6]	75.8 [22.2]
	Power	5.9	5.8	5.7	5.9	5.8	5.7	5.8	5.8	5.6	5.8	5.7	5.6	5.8	5.7	5.6
85 [29.4]	Total BTUH [kW]	103.7 [30.4]	100.3 [29.4]	96.5 [28.3]	97.5 [28.6]	94.3 [27.6]	90.7 [26.6]	92.6 [27.1]	89.5 [26.2]	86.1 [25.2]	90.8 [26.6]	87.8 [25.7]	84.5 [24.8]	89.6 [26.3]	86.6 [25.4]	83.4 [24.4]
	Sens BTUH [kW]	61.3 [17.9]	56.3 [16.5]	50.8 [14.9]	74.0 [21.7]	68.1 [19.9]	61.5 [18.0]	84.2 [24.7]	77.4 [22.7]	69.9 [20.5]	87.9 [25.8]	80.8 [23.7]	73.0 [21.4]	89.6 [26.3]	83.1 [24.3]	75.0 [22.0]
	Power	6.2	6.1	6.0	6.2	6.1	6.0	6.1	6.0	5.9	6.1	6.0	5.9	6.1	6.0	5.9
90 [32.2]	Total BTUH [kW]	101.1 [29.6]	97.7 [28.6]	94.0 [27.6]	94.8 [27.8]	91.7 [26.9]	88.2 [25.9]	89.9 [26.3]	86.9 [25.5]	83.6 [24.5]	88.1 [25.8]	85.2 [25.0]	82.0 [24.0]	86.9 [25.5]	84.0 [24.6]	80.9 [23.7]
	Sens BTUH [kW]	60.1 [17.6]	55.2 [16.2]	49.9 [14.6]	72.9 [21.4]	67.0 [19.6]	60.5 [17.7]	83.1 [24.3]	76.4 [22.4]	69.0 [20.2]	86.8 [25.4]	79.8 [23.4]	72.0 [21.1]	86.9 [25.5]	82.0 [24.0]	74.1 [21.7]
	Power	6.5	6.4	6.3	6.5	6.4	6.3	6.4	6.3	6.2	6.4	6.3	6.2	6.4	6.3	6.2
95 [35]	Total BTUH [kW]	98.2 [28.8]	95 [27.8]	91.4 [26.8]	92.0 [27.0]	88.9 [26.1]	85.6 [25.1]	87.0 [25.5]	84.2 [24.7]	81.0 [23.7]	85.2 [25.0]	82.4 [24.2]	79.3 [23.2]	84.1 [24.6]	81.3 [23.8]	78.2 [22.9]
	Sens BTUH [kW]	58.7 [17.2]	54 [15.8]	48.8 [14.3]	71.5 [21.0]	65.7 [19.3]	59.4 [17.4]	81.7 [23.9]	75.1 [22.0]	67.8 [19.9]	85.2 [25.0]	78.5 [23.0]	70.9 [20.8]	84.1 [24.6]	80.8 [23.7]	72.9 [21.4]
	Power	6.8	6.7	6.6	6.8	6.7	6.6	6.8	6.8	6.6	6.8	6.6	6.5	6.7	6.6	6.5
100 [37.8]	Total BTUH [kW]	95.2 [27.9]	92.0 [27.0]	88.6 [26.0]	89.0 [26.1]	86.0 [25.2]	82.8 [24.3]	84.0 [24.6]	81.3 [23.8]	78.2 [22.9]	82.2 [24.1]	79.5 [23.2]	76.5 [22.4]	81.1 [23.8]	78.4 [23.0]	75.4 [22.1]
	Sens BTUH [kW]	57.1 [16.7]	52.5 [15.4]	47.4 [13.9]	69.9 [20.5]	64.3 [18.8]	58.0 [17.0]	80.1 [23.5]	73.7 [21.6]	66.5 [19.5]	82.2 [24.1]	77.1 [22.6]	69.6 [20.4]	81.1 [23.8]	78.4 [23.0]	71.6 [21.0]
	Power	7.2	7.1	6.9	7.1	7.0	6.9	7.1	7.1	6.9	7.1	7.0	6.8	7.1	6.9	6.8
105 [40.6]	Total BTUH [kW]	92.0 [27.0]	89.0 [26.1]	85.6 [25.1]	85.8 [25.1]	82.5 [24.2]	79.8 [23.4]	80.9 [23.7]	78.2 [22.9]	75.2 [22.0]	79.1 [23.2]	76.5 [22.4]	73.6 [21.6]	77.9 [22.8]	75.3 [22.1]	72.5 [21.2]
	Sens BTUH [kW]	55.3 [16.2]	50.9 [14.9]	45.9 [13.5]	68.1 [20.0]	62.6 [18.4]	56.6 [16.6]	78.3 [23.0]	72.0 [21.1]	65.0 [19.1]	79.1 [23.2]	75.4 [22.1]	68.1 [19.9]	77.9 [22.8]	75.3 [22.1]	70.1 [20.5]
	Power	7.6	7.4	7.3	7.5	7.4	7.3	7.5	7.4	7.2	7.5	7.3	7.2	7.4	7.3	7.2
110 [43.3]	Total BTUH [kW]	88.7 [26.0]	85.8 [25.1]	82.5 [24.2]	82.5 [24.2]	79.8 [23.4]	76.7 [22.5]	77.5 [22.7]	75.0 [22.0]	72.1 [21.1]	75.8 [22.2]	73.2 [21.5]	70.5 [20.7]	74.6 [21.9]	72.1 [21.1]	69.4 [20.3]
	Sens BTUH [kW]	53.3 [15.6]	49.0 [14.4]	44.3 [13.0]	66.1 [19.4]	60.8 [17.8]	54.9 [16.1]	76.3 [22.4]	70.1 [20.6]	63.3 [18.6]	75.8 [22.2]	73.2 [21.5]	66.4 [19.5]	74.6 [21.9]	72.1 [21.1]	68.4 [20.1]
	Power	8.0	7.8	7.7	7.9	7.8	7.6	7.9	7.7	7.6	7.8	7.7	7.6	7.8	7.7	7.6
115 [46.1]	Total BTUH [kW]	85.2 [25.0]	82.4 [24.1]	79.3 [23.2]	79.0 [23.2]	76.4 [22.4]	73.5 [21.5]	74.1 [21.7]	71.6 [21.0]	68.9 [20.2]	72.3 [21.2]	69.9 [20.5]	67.2 [19.7]	71.1 [20.8]	68.7 [20.1]	66.1 [19.4]
	Sens BTUH [kW]	51.1 [15.0]	47.0 [13.8]	42.4 [12.4]	63.9 [18.7]	58.7 [17.2]	53.0 [15.5]	74.1 [21.7]	68.1 [19.9]	61.5 [18.0]	72.3 [21.2]	69.9 [20.5]	64.5 [18.9]	71.1 [20.8]	68.7 [20.1]	66.1 [19.4]
	Power	8.4	8.2	8.1	8.3	8.2	8.0	8.3	8.1	8.0	8.3	8.1	8.0	8.2	8.1	8.0
120 [48.9]	Total BTUH [kW]	81.6 [23.9]	78.9 [23.1]	75.9 [22.2]	75.4 [22.1]	72.9 [21.4]	70.1 [20.5]	70.4 [20.6]	68.1 [20.0]	65.5 [19.2]	68.6 [20.1]	66.4 [19.4]	63.9 [18.7]	67.4 [19.8]	65.2 [19.1]	62.8 [18.4]
	Sens BTUH [kW]	48.6 [14.2]	44.7 [13.1]	40.4 [11.8]	61.4 [18.0]	56.5 [16.5]	51.0 [14.9]	70.4 [20.6]	65.8 [19.3]	59.4 [17.4]	68.6 [20.1]	66.4 [19.4]	62.5 [18.3]	67.4 [19.8]	65.2 [19.1]	62.8 [18.4]
	Power	8.8	8.7	8.5	8.8	8.6	8.5	8.7	8.6	8.4	8.7	8.6	8.4	8.7	8.5	8.4
125 [51.7]	Total BTUH [kW]	77.8 [22.8]	75.2 [22.0]	72.4 [21.2]	71.6 [21.0]	69.2 [20.3]	66.6 [19.5]	66.6 [19.5]	64.4 [18.9]	62.0 [18.2]	64.8 [19.0]	62.7 [18.4]	60.3 [17.7]	63.7 [18.7]	61.5 [18.0]	59.2 [17.4]
	Sens BTUH [kW]	45.9 [13.5]	42.2 [12.4]	38.1 [11.2]	58.7 [17.2]	54.0 [15.8]	48.8 [14.3]	66.6 [19.5]	63.4 [18.6]	57.2 [16.8]	64.8 [19.0]	62.7 [18.4]	60.3 [17.7]	63.7 [18.7]	61.5 [18.0]	59.2 [17.4]
	Power	9.3	9.1	8.9	9.2	9.1	8.9	9.2	9.1	8.9	9.2	9.0	8.8	9.1	8.9	8.8

DR — Depression ratio
 dbE — Entering air dry bulb
 wBE — Entering air wet bulb

NOTES: ① When the entering air dry bulb is other than 80°F [27°C], adjust the sensible capacity from the table by adding [1.10 x CFM x (1 - DR) x (dbE - 80)].

[] Designates Metric Conversions

Total — Total capacity x 1000 BTUH
 Sens — Sensible capacity x 1000 BTUH
 Power — KW Input

① When the entering air dry bulb is other than 80°F [27°C], adjust the sensible capacity from the table by adding [1.10 x CFM x (1 - DR) x (dbE - 80)].



HEATING PERFORMANCE DATA – RHPDZS090A

IDB		60°F [15.5°C]			70°F [21.1°C]			80°F [26.7°C]			
		CFM [L/s]	3600 [1699]	3030 [1430]	2400 [1133]	3600 [1699]	3030 [1430]	2400 [1133]	3600 [1699]	3030 [1430]	2400 [1133]
O U T D O O R D R Y B U L B T E M P E R A T U R E	0°F [-17.8°C]	Total BTUH [kW] Power	29.9 [8.8] 4.8	29.5 [8.7] 5.0	29.1 [8.5] 5.1	27.8 [8.1] 5.4	27.4 [8.0] 5.5	27.0 [7.9] 5.7	25.6 [7.5] 6.1	25.3 [7.4] 6.2	24.9 [7.3] 6.4
	5°F [-15.0°C]	Total BTUH [kW] Power	35.9 [10.5] 4.9	35.5 [10.4] 5.0	34.9 [10.2] 5.1	33.8 [9.9] 5.4	33.3 [9.8] 5.6	32.8 [9.6] 5.7	31.6 [9.3] 6.1	31.2 [9.1] 6.3	30.7 [9.0] 6.4
	10°F [-12.2°C]	Total BTUH [kW] Power	41.9 [12.3] 4.9	41.4 [12.1] 5.1	40.8 [11.9] 5.2	39.8 [11.7] 5.5	39.2 [11.5] 5.6	38.7 [11.3] 5.8	37.6 [11.0] 6.2	37.1 [10.9] 6.3	36.6 [10.7] 6.5
	15°F [-9.4°C]	Total BTUH [kW] Power	47.9 [14.0] 5.0	47.3 [13.9] 5.1	46.6 [13.7] 5.2	45.8 [13.4] 5.5	45.2 [13.2] 5.7	44.5 [13.0] 5.8	43.6 [12.8] 6.2	43.0 [12.6] 6.4	42.4 [12.4] 6.5
	20°F [-6.7°C]	Total BTUH [kW] Power	53.9 [15.8] 5.0	53.2 [15.6] 5.2	52.4 [15.4] 5.3	51.8 [15.2] 5.6	51.1 [15.0] 5.7	50.3 [14.7] 5.9	49.6 [14.5] 6.3	49.0 [14.3] 6.4	48.2 [14.1] 6.6
	25°F [-3.9°C]	Total BTUH [kW] Power	59.9 [17.6] 5.1	59.1 [17.3] 5.2	58.3 [17.1] 5.3	57.8 [16.9] 5.6	57.0 [16.7] 5.8	56.2 [16.5] 5.9	55.6 [16.3] 6.3	54.9 [16.1] 6.5	54.1 [15.8] 6.6
	30°F [-1.1°C]	Total BTUH [kW] Power	65.9 [19.3] 5.1	65.1 [19.1] 5.3	64.1 [18.8] 5.4	63.8 [18.7] 5.7	62.9 [18.4] 5.8	62.0 [18.2] 6.0	61.6 [18.1] 6.4	60.8 [17.8] 6.5	59.9 [17.6] 6.7
	35°F [1.7°C]	Total BTUH [kW] Power	71.9 [21.1] 5.2	71.0 [20.8] 5.3	69.9 [20.5] 5.4	69.8 [20.4] 5.7	68.8 [20.2] 5.9	67.8 [19.9] 6.0	67.6 [19.8] 6.4	66.7 [19.6] 6.6	65.7 [19.3] 6.7
	40°F [4.4°C]	Total BTUH [kW] Power	77.9 [22.8] 5.2	76.9 [22.5] 5.4	75.8 [22.2] 5.5	75.8 [22.2] 5.8	74.8 [21.9] 5.9	73.7 [21.6] 6.1	73.6 [21.6] 6.5	72.6 [21.3] 6.6	71.6 [21.0] 6.8
	45°F [7.2°C]	Total BTUH [kW] Power	83.9 [24.6] 5.3	82.8 [24.3] 5.4	81.6 [23.9] 5.5	81.8 [24.0] 5.8	80.7 [23.6] 6.0	79.5 [23.3] 6.1	79.6 [23.3] 6.5	78.6 [23.0] 6.7	77.4 [22.7] 6.8
50°F [10.0°C]	Total BTUH [kW] Power	89.9 [26.4] 5.3	88.7 [26.0] 5.5	87.4 [25.6] 5.6	87.8 [25.7] 5.9	86.6 [25.4] 6.0	85.3 [25.0] 6.2	85.6 [25.1] 6.6	84.5 [24.8] 6.7	83.2 [24.4] 6.9	

IDB—Indoor air dry bulb

[] Designates Metric Conversions



COOLING PERFORMANCE DATA — RHPDZS102A



wB/E		ENTERING INDOOR AIR @ 80°F [26.7°C] dbE ①														
		71°F [21.7°C]			67°F [19.4°C]			63°F [17.2°C]			61°F [16.1°C]			59°F [15.0°C]		
CFM [L/s]		3840 [1812]	3345 [1579]	2560 [1208]	3840 [1812]	3345 [1579]	2560 [1208]	3840 [1812]	3345 [1579]	2560 [1208]	3840 [1812]	3345 [1579]	2560 [1208]	3840 [1812]	3345 [1579]	2560 [1208]
DR ①		0.19	0.17	0.12	0.19	0.17	0.12	0.19	0.17	0.12	0.19	0.17	0.12	0.19	0.17	0.12
75 [23.9]	Total BTUH [kW]	121.8 [35.7]	118.6 [34.8]	113.6 [33.3]	116.1 [34.0]	113.0 [33.2]	108.2 [31.7]	110.0 [32.2]	107.1 [31.4]	102.5 [30.0]	106.8 [31.3]	104.0 [30.5]	99.6 [29.2]	103.7 [30.4]	100.9 [29.6]	96.6 [28.3]
	Sens BTUH [kW]	75.6 [22.2]	70.7 [20.7]	63.0 [18.5]	85.1 [24.9]	79.6 [23.3]	70.9 [20.8]	92.9 [27.2]	86.9 [25.5]	77.4 [22.7]	95.9 [28.1]	89.7 [26.3]	79.9 [23.4]	98.1 [28.8]	91.4 [26.8]	81.7 [23.9]
	Power	6.4	6.3	6.1	6.3	6.2	6.1	6.3	6.2	6.1	6.2	6.2	6.0	6.2	6.1	6.1
80 [26.7]	Total BTUH [kW]	118.9 [34.8]	115.8 [33.9]	110.8 [32.5]	113.1 [33.1]	110.2 [32.3]	105.5 [30.9]	107.0 [31.4]	104.2 [30.5]	99.8 [29.2]	103.9 [30.5]	101.2 [29.7]	96.9 [28.4]	100.7 [29.5]	98.1 [28.7]	93.9 [27.5]
	Sens BTUH [kW]	74.4 [21.8]	69.6 [20.4]	62.0 [18.2]	83.9 [24.6]	78.5 [23.0]	69.9 [20.5]	91.7 [26.9]	85.8 [25.1]	76.4 [22.4]	94.7 [27.8]	88.6 [26.0]	78.9 [23.1]	96.9 [28.4]	90.7 [26.6]	80.7 [23.7]
	Power	6.7	6.6	6.4	6.6	6.5	6.4	6.6	6.6	6.3	6.5	6.4	6.3	6.5	6.4	6.3
85 [29.4]	Total BTUH [kW]	115.9 [34.0]	112.8 [33.1]	108.0 [31.7]	110.1 [32.3]	107.2 [31.4]	102.6 [30.1]	104.0 [30.5]	101.3 [29.7]	97.0 [28.4]	100.9 [29.6]	98.2 [28.8]	94.1 [27.6]	97.7 [28.6]	95.1 [27.9]	91.1 [26.7]
	Sens BTUH [kW]	73.0 [21.4]	68.3 [20.0]	60.8 [17.8]	82.5 [24.2]	77.2 [22.6]	68.7 [20.1]	90.3 [26.5]	84.5 [24.8]	75.2 [22.1]	93.3 [27.4]	87.3 [25.6]	77.8 [22.8]	95.5 [28.0]	89.4 [26.2]	79.6 [23.3]
	Power	7.0	6.9	6.7	6.9	6.8	6.7	6.9	6.8	6.7	6.9	6.8	6.6	6.8	6.7	6.6
90 [32.2]	Total BTUH [kW]	112.8 [33.0]	109.8 [32.2]	105.1 [30.8]	107.0 [31.4]	104.2 [30.5]	99.7 [29.2]	100.9 [29.6]	98.3 [28.8]	94.1 [27.6]	97.8 [28.7]	95.2 [27.9]	91.2 [26.7]	94.6 [27.7]	92.1 [27.0]	88.2 [25.8]
	Sens BTUH [kW]	71.4 [20.9]	66.8 [19.6]	59.5 [17.4]	80.9 [23.7]	75.7 [22.2]	67.4 [19.8]	88.8 [26.0]	83.0 [24.3]	73.9 [21.7]	91.8 [26.9]	85.8 [25.2]	76.4 [22.4]	94.0 [27.5]	87.9 [25.8]	78.3 [22.9]
	Power	7.3	7.2	7.1	7.3	7.2	7.0	7.2	7.1	7.0	7.2	7.1	7.0	7.2	7.1	6.9
95 [35]	Total BTUH [kW]	109.6 [32.1]	106.7 [31.3]	102.1 [29.9]	103.8 [30.4]	101.1 [29.6]	96.8 [28.4]	97.7 [28.6]	95.2 [27.9]	91.1 [26.7]	94.6 [27.7]	92.1 [27.0]	88.2 [25.8]	91.4 [26.8]	89.0 [26.1]	85.2 [25.0]
	Sens BTUH [kW]	69.7 [20.4]	65.2 [19.1]	58.0 [17.0]	79.2 [23.2]	74.1 [21.7]	66.0 [19.3]	87.0 [25.5]	81.4 [23.9]	72.5 [21.2]	90.0 [26.4]	84.2 [24.7]	75.0 [22.0]	91.4 [26.8]	86.3 [25.3]	76.8 [22.5]
	Power	7.7	7.6	7.5	7.7	7.6	7.4	7.6	7.5	7.4	7.6	7.5	7.3	7.6	7.5	7.3
100 [37.8]	Total BTUH [kW]	106.3 [31.1]	103.5 [30.3]	99.1 [29.0]	100.5 [29.5]	97.9 [28.7]	93.7 [27.5]	94.4 [27.7]	92.0 [26.9]	88.0 [25.8]	91.3 [26.8]	88.9 [26.1]	85.1 [24.9]	88.1 [25.8]	85.8 [25.1]	82.1 [24.1]
	Sens BTUH [kW]	67.7 [19.9]	63.4 [18.6]	56.4 [16.5]	77.2 [22.6]	72.3 [21.2]	64.3 [18.9]	85.1 [24.9]	79.6 [23.3]	70.9 [20.8]	88.1 [25.8]	82.4 [24.1]	73.4 [21.5]	88.1 [25.8]	84.4 [24.7]	75.2 [22.0]
	Power	8.1	8.0	7.9	8.1	8.0	7.8	8.0	7.9	7.8	8.0	7.9	7.7	8.0	7.9	7.7
105 [40.6]	Total BTUH [kW]	102.9 [30.2]	100.2 [29.4]	95.9 [28.1]	97.1 [28.5]	94.6 [27.7]	90.5 [26.5]	91.1 [26.7]	88.7 [26.0]	84.9 [24.9]	87.9 [25.8]	85.6 [25.1]	82.0 [24.0]	84.7 [24.8]	82.5 [24.2]	79.0 [23.1]
	Sens BTUH [kW]	65.6 [19.2]	61.4 [18.0]	54.7 [16.0]	75.1 [22.0]	70.3 [20.6]	62.6 [18.3]	82.9 [24.3]	77.6 [22.7]	69.1 [20.2]	85.9 [25.2]	80.4 [23.6]	71.6 [21.0]	84.7 [24.8]	82.5 [24.2]	73.4 [21.5]
	Power	8.6	8.5	8.3	8.5	8.4	8.2	8.5	8.4	8.2	8.5	8.3	8.2	8.4	8.3	8.1
110 [43.3]	Total BTUH [kW]	99.4 [29.1]	96.8 [28.4]	92.7 [27.2]	93.7 [27.4]	91.2 [26.7]	87.3 [25.6]	87.6 [25.7]	85.3 [25.0]	81.7 [23.9]	84.5 [24.7]	82.2 [24.1]	78.7 [23.1]	81.3 [23.8]	79.1 [23.2]	75.8 [22.2]
	Sens BTUH [kW]	63.3 [18.6]	59.2 [17.4]	52.7 [15.5]	72.8 [21.3]	68.1 [20.0]	60.6 [17.8]	80.6 [23.6]	75.4 [22.1]	67.2 [19.7]	83.6 [24.5]	78.2 [22.9]	69.7 [20.4]	81.3 [23.8]	79.1 [23.2]	71.5 [20.9]
	Power	9.0	8.9	8.7	9.0	8.9	8.7	8.9	8.8	8.6	8.9	8.8	8.6	8.9	8.8	8.6
115 [46.1]	Total BTUH [kW]	95.9 [28.1]	93.4 [27.4]	89.4 [26.2]	90.1 [26.4]	87.8 [25.7]	84.0 [24.6]	84.0 [24.6]	81.8 [24.0]	78.3 [23.0]	80.9 [23.7]	78.8 [23.1]	75.4 [22.1]	77.7 [22.8]	75.7 [22.2]	72.4 [21.2]
	Sens BTUH [kW]	60.8 [17.8]	56.9 [16.7]	50.6 [14.8]	70.3 [20.6]	65.8 [19.3]	58.6 [17.2]	78.1 [22.9]	73.1 [21.4]	65.1 [19.1]	80.9 [23.7]	75.9 [22.2]	67.6 [19.8]	77.7 [22.8]	75.7 [22.2]	69.4 [20.3]
	Power	9.5	9.4	9.2	9.5	9.4	9.2	9.4	9.3	9.1	9.4	9.3	9.1	9.4	9.3	9.1
120 [48.9]	Total BTUH [kW]	92.3 [27.0]	89.8 [26.3]	86.0 [25.2]	86.5 [25.3]	84.2 [24.7]	80.6 [23.6]	80.4 [23.6]	78.3 [22.9]	75.0 [22.0]	77.3 [22.6]	75.2 [22.0]	72.0 [21.1]	74.1 [21.7]	72.1 [21.1]	69.1 [20.2]
	Sens BTUH [kW]	58.1 [17.0]	54.4 [15.9]	48.4 [14.2]	67.6 [19.8]	63.2 [18.5]	56.3 [16.5]	75.4 [22.1]	70.6 [20.7]	62.8 [18.4]	77.3 [22.6]	73.4 [21.5]	65.3 [19.1]	74.1 [21.7]	72.1 [21.1]	67.2 [19.7]
	Power	10.1	9.9	9.7	10.0	9.9	9.7	10.0	9.8	9.6	10.0	9.8	9.6	9.9	9.8	9.6
125 [51.7]	Total BTUH [kW]	88.5 [25.9]	86.2 [25.3]	82.5 [24.2]	82.7 [24.2]	80.6 [23.6]	77.1 [22.6]	76.7 [22.5]	74.7 [21.9]	71.5 [20.9]	73.5 [21.5]	71.6 [21.0]	68.6 [20.1]	70.3 [20.6]	68.5 [20.1]	65.6 [19.2]
	Sens BTUH [kW]	55.2 [16.2]	51.7 [15.1]	46.0 [13.5]	64.7 [19.0]	60.5 [17.7]	53.9 [15.8]	72.6 [21.3]	67.9 [19.9]	60.4 [17.7]	73.5 [21.5]	70.7 [20.7]	62.9 [18.4]	70.3 [20.6]	68.5 [20.1]	64.8 [19.0]
	Power	10.6	10.5	10.3	10.6	10.4	10.2	10.5	10.4	10.2	10.5	10.4	10.2	10.5	10.4	10.1

DR — Depression ratio
dbE — Entering air dry bulb
wbE — Entering air wet bulb

NOTES: ① When the entering air dry bulb is other than 80°F [27°C], adjust the sensible capacity from the table by adding [1.10 x CFM x (1 - DR) x (dbE - 80)].

[] Designates Metric Conversions

Total — Total capacity x 1000 BTUH
Sens — Sensible capacity x 1000 BTUH
Power — kW Input





HEATING PERFORMANCE DATA – RHPDZS102A

IDB		60°F [15.5°C]			70°F [21.1°C]			80°F [26.7°C]			
		CFM [L/s]	3840 [1812]	3345 [1579]	2560 [1208]	3840 [1812]	3345 [1579]	2560 [1208]	3840 [1812]	3345 [1579]	2560 [1208]
O U T D O O R D R Y B U L B T E M P E R A T U R E	0°F [-17.8°C]	Total BTUH [kW] Power	59.6 [17.5] 5.7	59.0 [17.3] 5.8	58.0 [17.0] 6.0	64.6 [18.9] 6.3	63.9 [18.7] 6.4	62.9 [18.4] 6.6	69.6 [20.4] 7.0	68.9 [20.2] 7.1	67.8 [19.9] 7.3
	5°F [-15.0°C]	Total BTUH [kW] Power	62.9 [18.4] 5.8	62.3 [18.2] 5.9	61.2 [17.9] 6.1	67.9 [19.9] 6.4	67.2 [19.7] 6.5	66.1 [19.4] 6.7	73.0 [21.4] 7.1	72.2 [21.2] 7.2	71.0 [20.8] 7.4
	10°F [-12.2°C]	Total BTUH [kW] Power	66.3 [19.4] 5.8	65.6 [19.2] 6.0	64.5 [18.9] 6.1	71.3 [20.9] 6.4	70.5 [20.7] 6.6	69.4 [20.3] 6.7	76.3 [22.4] 7.1	75.5 [22.1] 7.3	74.2 [21.8] 7.5
	15°F [-9.4°C]	Total BTUH [kW] Power	69.6 [20.4] 5.9	68.9 [20.2] 6.0	67.7 [19.8] 6.2	74.6 [21.9] 6.5	73.8 [21.6] 6.6	72.6 [21.3] 6.8	79.6 [23.3] 7.2	78.8 [23.1] 7.4	77.5 [22.7] 7.6
	20°F [-6.7°C]	Total BTUH [kW] Power	72.9 [21.4] 6.0	72.2 [21.1] 6.1	71.0 [20.8] 6.3	77.9 [22.8] 6.6	77.1 [22.6] 6.7	75.8 [22.2] 6.9	83.0 [24.3] 7.3	82.1 [24.1] 7.4	80.7 [23.7] 7.6
	25°F [-3.9°C]	Total BTUH [kW] Power	76.3 [22.3] 6.1	75.5 [22.1] 6.2	74.2 [21.7] 6.4	81.3 [23.8] 6.6	80.4 [23.6] 6.8	79.1 [23.2] 7.0	86.3 [25.3] 7.4	85.4 [25.0] 7.5	84.0 [24.6] 7.7
	30°F [-1.1°C]	Total BTUH [kW] Power	79.6 [23.3] 6.1	78.8 [23.1] 6.2	77.4 [22.7] 6.4	84.6 [24.8] 6.7	83.7 [24.5] 6.8	82.3 [24.1] 7.0	89.6 [26.3] 7.4	88.7 [26.0] 7.6	87.2 [25.6] 7.8
	35°F [1.7°C]	Total BTUH [kW] Power	82.9 [24.3] 6.2	82.0 [24.0] 6.3	80.7 [23.6] 6.5	87.9 [25.8] 6.8	87.0 [25.5] 6.9	85.6 [25.1] 7.1	93.0 [27.2] 7.5	92.0 [27.0] 7.6	90.4 [26.5] 7.9
	40°F [4.4°C]	Total BTUH [kW] Power	86.2 [25.3] 6.3	85.3 [25.0] 6.4	83.9 [24.6] 6.6	91.3 [26.7] 6.9	90.3 [26.5] 7.0	88.8 [26.0] 7.2	96.3 [28.2] 7.6	95.3 [27.9] 7.7	93.7 [27.5] 7.9
	45°F [7.2°C]	Total BTUH [kW] Power	89.6 [26.3] 6.3	88.6 [26.0] 6.5	87.2 [25.5] 6.7	94.6 [27.7] 6.9	93.6 [27.4] 7.1	92.0 [27.0] 7.3	99.6 [29.2] 7.6	98.6 [28.9] 7.8	96.9 [28.4] 8.0
50°F [10.0°C]	Total BTUH [kW] Power	92.9 [27.2] 6.4	91.9 [26.9] 6.5	90.4 [26.5] 6.7	97.9 [28.7] 7.0	96.9 [28.4] 7.1	95.3 [27.9] 7.3	103.0 [30.2] 7.7	101.9 [29.9] 7.9	100.2 [29.4] 8.1	

IDB—Indoor air dry bulb

[] Designates Metric Conversions



COOLING PERFORMANCE DATA — RHPDZS120A



wBE		ENTERING INDOOR AIR @ 80°F [26.7°C] dbE ①														
		71°F [21.7°C]			67°F [19.4°C]			63°F [17.2°C]			61°F [16.1°C]			59°F [15.0°C]		
CFM [L/s]		4560 [2152]	4060 [1916]	3040 [1435]	4560 [2152]	4060 [1916]	3040 [1435]	4560 [2152]	4060 [1916]	3040 [1435]	4560 [2152]	4060 [1916]	3040 [1435]	4560 [2152]	4060 [1916]	3040 [1435]
DR ②		0.21	0.19	0.13	0.21	0.19	0.13	0.21	0.19	0.13	0.21	0.19	0.13	0.21	0.19	0.13
75 [23.9]	Total BTUH [kW]	143.1 [41.9]	140.0 [41.0]	133.6 [39.1]	134.9 [39.5]	131.9 [38.7]	125.9 [36.9]	128.2 [37.6]	125.4 [36.7]	119.7 [35.1]	125.7 [36.8]	122.9 [36.0]	117.3 [34.4]	123.9 [36.3]	121.2 [35.5]	115.6 [33.9]
	Sens BTUH [kW]	90.5 [26.5]	85.5 [25.1]	75.5 [22.1]	98.5 [28.9]	93.2 [27.3]	82.2 [24.1]	106.9 [31.3]	101.1 [29.6]	89.2 [26.2]	111.2 [32.6]	105.1 [30.8]	92.8 [27.2]	115.5 [33.9]	109.2 [32.0]	96.4 [28.3]
	Power	7.3	7.2	7.1	7.2	7.2	7.0	7.2	7.1	6.9	7.1	7.1	6.9	7.1	7.0	6.9
80 [26.7]	Total BTUH [kW]	139.9 [41.0]	136.9 [40.1]	130.6 [38.3]	131.7 [38.6]	128.8 [37.8]	122.9 [36.0]	125.0 [36.6]	122.3 [35.8]	116.7 [34.2]	122.5 [35.9]	119.8 [35.1]	114.3 [33.5]	120.7 [35.4]	118.1 [34.6]	112.7 [33.0]
	Sens BTUH [kW]	89.4 [26.2]	84.6 [24.8]	74.7 [21.9]	97.5 [28.6]	92.2 [27.0]	81.4 [23.9]	105.9 [31.0]	100.1 [29.3]	88.4 [25.9]	110.2 [32.3]	104.2 [30.5]	92.0 [27.1]	114.5 [33.6]	108.3 [31.7]	95.6 [28.0]
	Power	7.7	7.6	7.4	7.6	7.5	7.4	7.5	7.5	7.3	7.5	7.4	7.3	7.5	7.4	7.2
85 [29.4]	Total BTUH [kW]	136.6 [40.0]	133.6 [39.2]	127.5 [37.4]	128.4 [37.6]	125.6 [36.8]	119.8 [35.1]	121.7 [35.7]	119 [34.9]	113.6 [33.3]	119.1 [34.9]	116.5 [34.1]	111.2 [32.6]	117.4 [34.4]	114.8 [33.6]	109.5 [32.1]
	Sens BTUH [kW]	88.1 [25.8]	83.3 [24.4]	73.5 [21.5]	96.1 [28.2]	90.9 [26.6]	80.3 [23.5]	104.5 [30.6]	98.8 [29.0]	87.3 [25.6]	108.8 [31.9]	102.9 [30.2]	90.8 [26.6]	113.1 [33.2]	107.0 [31.4]	94.4 [27.7]
	Power	8.1	8.0	7.8	8.0	7.9	7.7	7.9	7.9	7.7	7.9	7.8	7.6	7.9	7.8	7.6
90 [32.2]	Total BTUH [kW]	133.1 [39.0]	130.2 [38.2]	124.3 [36.4]	124.9 [36.6]	122.1 [35.8]	116.6 [34.2]	118.2 [34.6]	115.6 [33.9]	110.3 [32.3]	115.7 [33.9]	113.1 [33.1]	108.0 [31.6]	113.9 [33.4]	111.4 [32.6]	106.3 [31.1]
	Sens BTUH [kW]	86.4 [25.3]	81.7 [23.9]	72.1 [21.1]	94.4 [27.7]	89.3 [26.2]	78.8 [23.1]	102.8 [30.1]	97.2 [28.5]	85.8 [25.2]	107.1 [31.4]	101.3 [29.7]	89.4 [26.2]	111.4 [32.7]	105.4 [30.9]	93.0 [27.3]
	Power	8.5	8.4	8.2	8.4	8.3	8.2	8.4	8.3	8.1	8.3	8.2	8.1	8.3	8.2	8.0
95 [35]	Total BTUH [kW]	129.5 [37.9]	126.6 [37.1]	120.8 [35.4]	121.2 [35.5]	118.6 [34.7]	113.2 [33.2]	114.5 [33.6]	112.0 [32.8]	106.9 [31.3]	112.0 [32.8]	109.6 [32.1]	104.5 [30.6]	110.2 [32.3]	107.8 [31.6]	102.9 [30.1]
	Sens BTUH [kW]	84.3 [24.7]	79.8 [23.4]	70.4 [20.6]	92.4 [27.1]	87.4 [25.6]	77.1 [22.6]	100.8 [29.5]	95.3 [27.9]	84.1 [24.7]	105.1 [30.8]	99.4 [29.1]	87.7 [25.7]	109.4 [32.1]	103.5 [30.3]	91.3 [26.8]
	Power	8.9	8.9	8.7	8.9	8.8	8.6	8.8	8.7	8.5	8.8	8.7	8.5	8.8	8.7	8.5
100 [37.8]	Total BTUH [kW]	125.7 [36.8]	122.9 [36.0]	117.3 [34.4]	117.4 [34.4]	114.9 [33.7]	109.6 [32.1]	110.7 [32.4]	108.3 [31.7]	103.4 [30.3]	108.2 [31.7]	105.8 [31.0]	101.0 [29.6]	106.4 [31.2]	104.1 [30.5]	99.3 [29.1]
	Sens BTUH [kW]	82.0 [24.0]	77.5 [22.7]	68.4 [20.0]	90.0 [26.4]	85.1 [24.9]	75.2 [22.0]	98.4 [28.8]	93.1 [27.3]	82.1 [24.1]	102.7 [30.1]	97.1 [28.5]	85.7 [25.1]	106.4 [31.2]	101.2 [29.7]	89.3 [26.2]
	Power	9.4	9.3	9.1	9.4	9.3	9.1	9.3	9.2	9.0	9.3	9.2	9.0	9.2	9.1	8.9
105 [40.6]	Total BTUH [kW]	121.7 [35.7]	119 [34.9]	113.6 [33.3]	113.5 [33.3]	111.0 [32.5]	105.9 [31.0]	106.8 [31.3]	104.4 [30.6]	99.7 [29.2]	104.2 [30.5]	102.0 [29.9]	97.3 [28.5]	102.5 [30.0]	100.2 [29.4]	95.6 [28.0]
	Sens BTUH [kW]	79.2 [23.2]	74.9 [22.0]	66.2 [19.4]	87.3 [25.6]	82.6 [24.2]	72.9 [21.4]	95.7 [28.0]	90.5 [26.5]	79.9 [23.4]	100.0 [29.3]	94.5 [27.7]	83.5 [24.5]	102.5 [30.0]	98.6 [28.9]	87.1 [25.5]
	Power	9.9	9.8	9.6	9.9	9.8	9.6	9.8	9.7	9.5	9.8	9.7	9.5	9.7	9.6	9.4
110 [43.3]	Total BTUH [kW]	117.6 [34.5]	115.0 [33.7]	109.8 [32.2]	109.4 [32.0]	107.0 [31.3]	102.1 [29.9]	102.7 [30.1]	100.4 [29.4]	95.8 [28.1]	100.1 [29.3]	97.9 [28.7]	93.5 [27.4]	98.4 [28.8]	96.2 [28.2]	91.8 [26.9]
	Sens BTUH [kW]	76.2 [22.3]	72.1 [21.1]	63.6 [18.6]	84.3 [24.7]	79.7 [23.3]	70.3 [20.6]	92.6 [27.1]	87.6 [25.7]	77.3 [22.7]	96.9 [28.4]	91.7 [26.9]	80.9 [23.7]	98.4 [28.8]	95.8 [28.1]	84.5 [24.8]
	Power	10.5	10.4	10.1	10.4	10.3	10.1	10.4	10.2	10.0	10.3	10.2	10.0	10.3	10.2	10.0
115 [46.1]	Total BTUH [kW]	113.3 [33.2]	110.9 [32.5]	105.8 [31.0]	105.1 [30.8]	102.8 [30.1]	98.1 [28.7]	98.4 [28.8]	96.2 [28.2]	91.8 [26.9]	95.9 [28.1]	93.8 [27.5]	89.5 [26.2]	94.1 [27.6]	92.0 [27.0]	87.8 [25.7]
	Sens BTUH [kW]	72.8 [21.3]	68.8 [20.2]	60.8 [17.8]	80.9 [23.7]	76.5 [22.4]	67.5 [19.8]	89.2 [26.2]	84.4 [24.7]	74.5 [21.8]	93.5 [27.4]	88.4 [25.9]	78.1 [22.9]	94.1 [27.6]	92.0 [27.0]	81.7 [23.9]
	Power	11.1	10.9	10.7	11.0	10.9	10.6	10.9	10.8	10.6	10.9	10.8	10.5	10.9	10.7	10.5
120 [48.9]	Total BTUH [kW]	108.9 [31.9]	106.5 [31.2]	101.7 [29.8]	100.7 [29.5]	98.5 [28.9]	94.0 [27.5]	94.0 [27.5]	91.9 [26.9]	87.7 [25.7]	91.5 [26.8]	89.5 [26.2]	85.4 [25.0]	89.7 [26.3]	87.7 [25.7]	83.7 [24.5]
	Sens BTUH [kW]	69.1 [20.2]	65.3 [19.1]	57.7 [16.9]	77.1 [22.6]	72.9 [21.4]	64.4 [18.9]	85.5 [25.1]	80.9 [23.7]	71.4 [20.9]	89.8 [26.3]	84.9 [24.9]	75.0 [22.0]	89.7 [26.3]	87.7 [25.7]	78.6 [23.0]
	Power	11.7	11.5	11.3	11.6	11.5	11.2	11.5	11.4	11.1	11.5	11.4	11.1	11.5	11.3	11.1
125 [51.7]	Total BTUH [kW]	104.3 [30.6]	102.1 [29.9]	97.4 [28.5]	96.1 [28.2]	94.0 [27.5]	89.7 [26.3]	89.4 [26.2]	87.4 [25.6]	83.5 [24.5]	86.9 [25.5]	85.0 [24.9]	81.1 [23.8]	85.1 [24.9]	83.2 [24.4]	79.4 [23.3]
	Sens BTUH [kW]	65.0 [19.0]	61.5 [18.0]	54.3 [15.9]	73.1 [21.4]	69.1 [20.2]	61.0 [17.9]	81.4 [23.9]	77.0 [22.6]	68.0 [19.9]	85.7 [25.1]	81.1 [23.8]	71.6 [21.0]	85.1 [24.9]	83.2 [24.4]	75.2 [22.0]
	Power	12.3	12.2	11.9	12.2	12.1	11.8	12.2	12.2	11.8	12.2	12.1	11.7	12.1	12.0	11.7

DR — Depression ratio
dbE — Entering air dry bulb
wbE — Entering air wet bulb

NOTES: ① When the entering air dry bulb is other than 80°F [27°C], adjust the sensible capacity from the table by adding [1.10 x CFM x (t - DR) x (dbE - 80)].

[] Designates Metric Conversions

Total — Total capacity x 1000 BTUH
Sens — Sensible capacity x 1000 BTUH
Power — KW input





HEATING PERFORMANCE DATA – RHPDZS120A

IDB		60°F [15.5°C]			70°F [21.1°C]			80°F [26.7°C]			
		CFM [L/s]	4560 [2152]	4060 [1916]	3040 [1435]	4560 [2152]	4060 [1916]	3040 [1435]	4560 [2152]	4060 [1916]	3040 [1435]
O U T D O O R D R Y B U L B T E M P E R A T U R E	0°F [-17.8°C]	Total BTUH [kW] Power	47.5 [13.9] 5.8	47.1 [13.8] 5.9	46.2 [13.5] 6.1	43.9 [12.9] 6.5	43.5 [12.7] 6.6	42.7 [12.5] 6.8	40.2 [11.8] 7.3	39.9 [11.7] 7.4	39.1 [11.5] 7.7
	5°F [-15.0°C]	Total BTUH [kW] Power	54.6 [16.0] 5.9	54.1 [15.9] 6.0	53.1 [15.6] 6.2	50.9 [14.9] 6.6	50.5 [14.8] 6.7	49.6 [14.5] 6.9	47.3 [13.9] 7.4	46.9 [13.7] 7.5	46.0 [13.5] 7.8
	10°F [-12.2°C]	Total BTUH [kW] Power	61.7 [18.1] 6.0	61.1 [17.9] 6.1	60.0 [17.6] 6.3	58.0 [17.0] 6.7	57.5 [16.9] 6.8	56.5 [16.5] 7.1	54.4 [15.9] 7.5	53.9 [15.8] 7.6	52.9 [15.5] 7.9
	15°F [-9.4°C]	Total BTUH [kW] Power	68.7 [20.1] 6.1	68.1 [20.0] 6.2	66.9 [19.6] 6.4	65.1 [19.1] 6.9	64.5 [18.9] 7.0	63.4 [18.6] 7.2	61.4 [18.0] 7.6	60.9 [17.8] 7.8	59.8 [17.5] 8.0
	20°F [-6.7°C]	Total BTUH [kW] Power	75.8 [22.2] 6.3	75.1 [22.0] 6.4	73.8 [21.6] 6.6	72.2 [21.1] 7.0	71.5 [21.0] 7.1	70.3 [20.6] 7.3	68.5 [20.1] 7.8	67.9 [19.9] 7.9	66.7 [19.5] 8.1
	25°F [-3.9°C]	Total BTUH [kW] Power	82.9 [24.3] 6.4	82.2 [24.1] 6.5	80.7 [23.6] 6.7	79.2 [23.2] 7.1	78.6 [23.0] 7.2	77.1 [22.6] 7.4	75.6 [22.2] 7.9	74.9 [22.0] 8.0	73.6 [21.6] 8.2
	30°F [-1.1°C]	Total BTUH [kW] Power	90.0 [26.4] 6.5	89.2 [26.1] 6.6	87.6 [25.7] 6.8	86.3 [25.3] 7.2	85.6 [25.1] 7.3	84.0 [24.6] 7.5	82.7 [24.2] 8.0	82.0 [24.0] 8.1	80.5 [23.6] 8.4
	35°F [1.7°C]	Total BTUH [kW] Power	97.0 [28.4] 6.6	96.2 [28.2] 6.7	94.5 [27.7] 6.9	93.4 [27.4] 7.3	92.6 [27.1] 7.4	90.9 [26.6] 7.7	89.8 [26.3] 8.1	89.0 [26.1] 8.2	87.4 [25.6] 8.5
	40°F [4.4°C]	Total BTUH [kW] Power	104.1 [30.5] 6.7	103.2 [30.2] 6.8	101.4 [29.7] 7.0	100.5 [29.4] 7.4	99.6 [29.2] 7.5	97.8 [28.7] 7.8	96.8 [28.4] 8.2	96.0 [28.1] 8.3	94.3 [27.6] 8.6
	45°F [7.2°C]	Total BTUH [kW] Power	111.2 [32.6] 6.8	110.2 [32.3] 6.9	108.2 [31.7] 7.1	107.6 [31.5] 7.5	106.6 [31.2] 7.6	104.7 [30.7] 7.9	103.9 [30.4] 8.3	103.0 [30.2] 8.4	101.2 [29.6] 8.7
50°F [10.0°C]	Total BTUH [kW] Power	118.3 [34.7] 6.9	117.2 [34.4] 7.0	115.1 [33.7] 7.3	114.6 [33.6] 7.6	113.6 [33.3] 7.8	111.6 [32.7] 8.0	111.0 [32.5] 8.4	110.0 [32.2] 8.6	108.0 [31.7] 8.8	

IDB—Indoor air dry bulb

[] Designates Metric Conversions



COOLING PERFORMANCE DATA — RHPDZT090A

wBE		ENTERING INDOOR AIR @ 80°F [26.7°C] dbE ①															
		71°F [21.7°C]			67°F [19.4°C]			63°F [17.2°C]			61°F [16.1°C]			59°F [15.0°C]			
		3600 [1699]	3030 [1430]	2400 [1133]	3600 [1699]	3030 [1430]	2400 [1133]	3600 [1699]	3030 [1430]	2400 [1133]	3600 [1699]	3030 [1430]	2400 [1133]	3600 [1699]	3030 [1430]	2400 [1133]	
CFM [L/s]		0.21	0.18	0.13	0.21	0.18	0.13	0.21	0.18	0.13	0.21	0.18	0.13	0.21	0.18	0.13	
Total BTUH [kW]	75 [23.9]	108.7 [31.8]	105.1 [30.8]	101.1 [29.6]	102.4 [30.0]	99.1 [29.0]	95.3 [27.9]	97.5 [28.6]	94.3 [27.6]	90.7 [26.6]	92.5 [27.1]	89.0 [26.1]	94.5 [27.7]	91.4 [26.8]	87.9 [25.8]	94.5 [27.7]	91.4 [26.8]
Sens BTUH [kW]		62.9 [18.4]	57.8 [16.9]	52.2 [15.3]	75.7 [22.2]	69.6 [20.4]	62.8 [18.4]	85.9 [25.2]	78.9 [23.1]	71.3 [20.9]	82.3 [24.1]	74.4 [21.8]	92.0 [27.0]	84.6 [24.8]	76.4 [22.4]	92.0 [27.0]	84.6 [24.8]
Power		5.7	5.6	5.5	5.6	5.5	5.4	5.6	5.5	5.4	5.5	5.4	5.5	5.5	5.4	5.5	5.4
Total BTUH [kW]	80 [26.7]	106.3 [31.1]	102.8 [30.1]	98.9 [29.0]	100.1 [29.3]	96.8 [28.4]	93.1 [27.3]	95.1 [27.9]	92.0 [27.0]	88.5 [25.9]	90.2 [26.4]	86.8 [25.4]	92.1 [27.0]	89.1 [26.1]	85.7 [25.1]	92.1 [27.0]	89.1 [26.1]
Sens BTUH [kW]		62.2 [18.2]	57.2 [16.8]	51.6 [15.1]	75.0 [22.0]	68.9 [20.2]	62.2 [18.2]	85.2 [25.0]	78.3 [22.9]	70.7 [20.7]	81.7 [23.9]	73.8 [21.6]	91.3 [26.8]	83.9 [24.6]	75.8 [22.2]	91.3 [26.8]	83.9 [24.6]
Power		5.9	5.8	5.7	5.9	5.8	5.7	5.8	5.8	5.6	5.7	5.6	5.8	5.7	5.6	5.8	5.7
Total BTUH [kW]	85 [29.4]	103.7 [30.4]	100.3 [29.4]	96.5 [28.3]	97.5 [28.6]	94.3 [27.6]	90.7 [26.6]	92.6 [27.1]	89.5 [26.2]	86.1 [25.2]	87.8 [26.7]	84.5 [24.8]	89.6 [26.3]	86.6 [25.4]	83.4 [24.4]	89.6 [26.3]	86.6 [25.4]
Sens BTUH [kW]		61.3 [17.9]	56.3 [16.5]	50.8 [14.9]	74.0 [21.7]	68.1 [19.9]	61.5 [18.0]	84.2 [24.7]	77.4 [22.7]	69.9 [20.5]	80.8 [23.7]	73.0 [21.4]	89.6 [26.3]	83.1 [24.3]	75.0 [22.0]	89.6 [26.3]	83.1 [24.3]
Power		6.2	6.1	6.0	6.2	6.1	6.0	6.1	6.0	5.9	6.0	5.9	6.1	6.0	5.9	6.1	6.0
Total BTUH [kW]	90 [32.2]	101.1 [29.6]	97.7 [28.6]	94.0 [27.6]	94.8 [27.8]	91.7 [26.9]	88.2 [25.9]	89.9 [26.3]	86.9 [25.5]	83.6 [24.5]	85.2 [25.0]	82.0 [24.0]	86.9 [25.5]	84.0 [24.6]	80.9 [23.7]	86.9 [25.5]	84.0 [24.6]
Sens BTUH [kW]		60.1 [17.6]	55.2 [16.2]	49.9 [14.6]	72.9 [21.4]	67.0 [19.6]	60.5 [17.7]	83.1 [24.3]	76.4 [22.4]	69.0 [20.2]	80.8 [23.4]	72.0 [21.1]	86.9 [25.5]	80.2 [24.0]	74.1 [21.7]	86.9 [25.5]	80.2 [24.0]
Power		6.5	6.4	6.3	6.5	6.4	6.3	6.4	6.3	6.2	6.3	6.2	6.4	6.3	6.2	6.4	6.3
Total BTUH [kW]	95 [35]	98.2 [28.8]	95.0 [27.8]	91.4 [26.8]	92.0 [27.0]	88.9 [26.1]	85.6 [25.1]	87.0 [25.5]	84.2 [24.7]	81.0 [23.7]	82.4 [24.2]	79.3 [23.2]	84.1 [24.6]	81.3 [23.8]	78.2 [22.9]	84.1 [24.6]	81.3 [23.8]
Sens BTUH [kW]		58.7 [17.2]	54.0 [15.8]	48.8 [14.3]	71.5 [21.0]	65.7 [19.3]	59.4 [17.4]	81.7 [23.9]	75.1 [22.0]	67.8 [19.9]	78.5 [23.0]	70.9 [20.8]	84.1 [24.6]	78.4 [23.0]	72.9 [21.4]	84.1 [24.6]	78.4 [23.0]
Power		6.8	6.7	6.6	6.8	6.7	6.6	6.8	6.8	6.6	6.7	6.5	6.7	6.6	6.5	6.7	6.6
Total BTUH [kW]	100 [37.8]	95.2 [27.9]	92.0 [27.0]	88.6 [26.0]	89.0 [26.1]	86.0 [25.2]	82.8 [24.3]	84.0 [24.6]	81.3 [23.8]	78.2 [22.9]	79.5 [23.2]	76.5 [22.4]	81.1 [23.8]	78.4 [23.0]	75.4 [22.1]	81.1 [23.8]	78.4 [23.0]
Sens BTUH [kW]		57.1 [16.7]	52.5 [15.4]	47.4 [13.9]	69.9 [20.5]	64.3 [18.8]	58.0 [17.0]	80.1 [23.5]	73.7 [21.6]	66.5 [19.5]	77.1 [22.6]	69.6 [20.4]	81.1 [23.8]	74.4 [23.0]	71.6 [21.0]	81.1 [23.8]	74.4 [23.0]
Power		7.2	7.1	6.9	7.1	7.0	6.9	7.1	7.0	6.9	7.0	6.8	7.1	6.9	6.8	7.1	6.9
Total BTUH [kW]	105 [40.6]	92.0 [27.0]	89.0 [26.1]	85.6 [25.1]	85.8 [25.1]	82.5 [24.2]	79.8 [23.4]	80.9 [23.7]	78.2 [22.9]	75.2 [22.0]	76.5 [22.4]	73.6 [21.6]	77.9 [22.8]	75.3 [22.1]	72.5 [21.2]	77.9 [22.8]	75.3 [22.1]
Sens BTUH [kW]		55.3 [16.2]	50.9 [14.9]	45.9 [13.5]	68.1 [20.0]	62.6 [18.4]	56.6 [16.6]	78.3 [23.0]	72.0 [21.1]	65.0 [19.1]	75.4 [22.1]	68.1 [19.9]	77.9 [22.8]	71.1 [20.8]	70.1 [20.5]	77.9 [22.8]	71.1 [20.8]
Power		7.6	7.4	7.3	7.5	7.4	7.3	7.5	7.4	7.2	7.3	7.2	7.4	7.3	7.2	7.4	7.3
Total BTUH [kW]	110 [43.3]	88.7 [26.0]	85.8 [25.1]	82.5 [24.2]	82.5 [24.2]	79.8 [23.4]	76.7 [22.5]	77.5 [22.7]	75.0 [22.0]	72.1 [21.1]	73.2 [21.5]	70.5 [20.7]	74.6 [21.9]	72.1 [21.1]	69.4 [20.3]	74.6 [21.9]	72.1 [21.1]
Sens BTUH [kW]		53.3 [15.6]	49.0 [14.4]	44.3 [13.0]	66.1 [19.4]	60.8 [17.8]	54.9 [16.1]	76.3 [22.4]	70.1 [20.6]	63.3 [18.6]	73.2 [21.5]	66.4 [19.5]	74.6 [21.9]	68.7 [20.1]	68.4 [20.1]	74.6 [21.9]	68.7 [20.1]
Power		8.0	7.8	7.7	7.9	7.8	7.6	7.9	7.7	7.6	7.7	7.6	7.8	7.7	7.6	7.8	7.7
Total BTUH [kW]	115 [46.1]	85.2 [25.0]	82.4 [24.1]	79.3 [23.2]	79.0 [23.2]	76.4 [22.4]	73.5 [21.5]	74.1 [21.7]	71.6 [21.0]	68.9 [20.5]	69.9 [20.5]	67.2 [19.7]	71.1 [20.8]	68.7 [20.1]	66.1 [19.4]	71.1 [20.8]	68.7 [20.1]
Sens BTUH [kW]		51.1 [15.0]	47.0 [13.8]	42.4 [12.4]	63.9 [18.7]	58.7 [17.2]	53.0 [15.5]	74.1 [21.7]	68.1 [19.9]	61.5 [18.0]	72.3 [21.2]	64.5 [18.9]	71.1 [20.8]	66.1 [19.4]	66.1 [19.4]	71.1 [20.8]	66.1 [19.4]
Power		8.4	8.2	8.1	8.3	8.2	8.0	8.3	8.1	8.0	8.1	8.0	8.2	8.1	8.0	8.2	8.1
Total BTUH [kW]	120 [48.9]	81.6 [23.9]	78.9 [23.1]	75.9 [22.2]	75.4 [22.1]	72.9 [21.4]	70.1 [20.5]	70.4 [20.6]	68.1 [20.0]	65.5 [19.2]	66.4 [19.4]	63.9 [18.7]	67.4 [19.8]	65.2 [19.1]	62.8 [18.4]	67.4 [19.8]	65.2 [19.1]
Sens BTUH [kW]		48.6 [14.2]	44.7 [13.1]	40.4 [11.8]	61.4 [18.0]	56.5 [16.5]	51.0 [14.9]	70.4 [20.6]	65.8 [19.3]	59.4 [17.4]	66.4 [19.4]	62.5 [18.3]	67.4 [19.8]	65.2 [19.1]	62.8 [18.4]	67.4 [19.8]	65.2 [19.1]
Power		8.8	8.7	8.5	8.8	8.6	8.5	8.7	8.7	8.4	8.6	8.4	8.7	8.5	8.4	8.7	8.5
Total BTUH [kW]	125 [51.7]	77.8 [22.8]	75.2 [22.0]	72.4 [21.2]	71.6 [21.0]	69.2 [20.3]	66.6 [19.5]	66.6 [19.5]	64.4 [18.9]	62.0 [18.2]	62.7 [18.4]	60.3 [17.7]	63.7 [18.7]	61.5 [18.0]	59.2 [17.4]	63.7 [18.7]	61.5 [18.0]
Sens BTUH [kW]		45.9 [13.5]	42.2 [12.4]	38.1 [11.2]	58.7 [17.2]	54.0 [15.8]	48.8 [14.3]	66.6 [19.5]	63.4 [18.6]	57.2 [16.8]	62.7 [18.4]	60.3 [17.7]	63.7 [18.7]	61.5 [18.0]	59.2 [17.4]	63.7 [18.7]	61.5 [18.0]
Power		9.3	9.1	8.9	9.2	9.1	8.9	9.2	9.2	8.9	9.0	8.8	9.1	9.0	8.8	9.1	9.0

DR — Depression ratio
 dbE — Entering air dry bulb
 wBE — Entering air wet bulb

NOTES: ① When the entering air dry bulb is other than 80°F [27°C], adjust the sensible capacity from the table by adding [1.10 x CFM x (1 - DR) x (dbE - 80)].

[] Designates Metric Conversions

Total — Total capacity x 1000 BTUH
 Sens — Sensible capacity x 1000 BTUH
 Power — KW Input

DR — Depression ratio
 dbE — Entering air dry bulb
 wBE — Entering air wet bulb

NOTES: ① When the entering air dry bulb is other than 80°F [27°C], adjust the sensible capacity from the table by adding [1.10 x CFM x (1 - DR) x (dbE - 80)].

DR — Depression ratio
 dbE — Entering air dry bulb
 wBE — Entering air wet bulb

NOTES: ① When the entering air dry bulb is other than 80°F [27°C], adjust the sensible capacity from the table by adding [1.10 x CFM x (1 - DR) x (dbE - 80)].

DR — Depression ratio
 dbE — Entering air dry bulb
 wBE — Entering air wet bulb

NOTES: ① When the entering air dry bulb is other than 80°F [27°C], adjust the sensible capacity from the table by adding [1.10 x CFM x (1 - DR) x (dbE - 80)].

DR — Depression ratio
 dbE — Entering air dry bulb
 wBE — Entering air wet bulb

NOTES: ① When the entering air dry bulb is other than 80°F [27°C], adjust the sensible capacity from the table by adding [1.10 x CFM x (1 - DR) x (dbE - 80)].

DR — Depression ratio
 dbE — Entering air dry bulb
 wBE — Entering air wet bulb

NOTES: ① When the entering air dry bulb is other than 80°F [27°C], adjust the sensible capacity from the table by adding [1.10 x CFM x (1 - DR) x (dbE - 80)].

DR — Depression ratio
 dbE — Entering air dry bulb
 wBE — Entering air wet bulb

NOTES: ① When the entering air dry bulb is other than 80°F [27°C], adjust the sensible capacity from the table by adding [1.10 x CFM x (1 - DR) x (dbE - 80)].

DR — Depression ratio
 dbE — Entering air dry bulb
 wBE — Entering air wet bulb

NOTES: ① When the entering air dry bulb is other than 80°F [27°C], adjust the sensible capacity from the table by adding [1.10 x CFM x (1 - DR) x (dbE - 80)].

DR — Depression ratio
 dbE — Entering air dry bulb
 wBE — Entering air wet bulb

NOTES: ① When the entering air dry bulb is other than 80°F [27°C], adjust the sensible capacity from the table by adding [1.10 x CFM x (1 - DR) x (dbE - 80)].

DR — Depression ratio
 dbE — Entering air dry bulb
 wBE — Entering air wet bulb

NOTES: ① When the entering air dry bulb is other than 80°F [27°C], adjust the sensible capacity from the table by adding [1.10 x CFM x (1 - DR) x (dbE - 80)].

DR — Depression ratio
 dbE — Entering air dry bulb
 wBE — Entering air wet bulb

NOTES: ① When the entering air dry bulb is other than 80°F [27°C], adjust the sensible capacity from the table by adding [1.10 x CFM x (1 - DR) x (dbE - 80)].

DR — Depression ratio
 dbE — Entering air dry bulb
 wBE — Entering air wet bulb

NOTES: ① When the entering air dry bulb is other than 80°F [27°C], adjust the sensible capacity from the table by adding [1.10 x CFM x (1 - DR) x (dbE - 80)].

DR — Depression ratio
 dbE — Entering air dry bulb
 wBE — Entering air wet bulb

NOTES: ① When the entering air dry bulb is other than 80°F [27°C], adjust the sensible capacity from the table by adding [1.10 x CFM x (1 - DR) x (dbE - 80)].

DR — Depression ratio
 dbE — Entering air dry bulb
 wBE — Entering air wet bulb

NOTES: ① When the entering air dry bulb is other than 80°F [27°C], adjust the sensible capacity from the table by adding [1.10 x CFM x (1 - DR) x (dbE - 80)].

DR — Depression ratio
 dbE — Entering air dry bulb
 wBE — Entering air wet bulb

NOTES: ① When the entering air dry bulb is other than 80°F [27°C], adjust the sensible capacity from the table by adding [1.10 x CFM x (1 - DR) x (dbE - 80)].

DR — Depression ratio
 dbE — Entering air dry bulb
 wBE — Entering air wet bulb

NOTES: ① When the entering air dry bulb is other than 80°F [27°C], adjust the sensible capacity from the table by adding [1.10 x CFM x (1 - DR) x (dbE - 80)].

DR — Depression ratio
 dbE — Entering air dry bulb
 wBE — Entering air wet bulb

NOTES: ① When the entering air dry bulb is other than 80°F [27°C], adjust the sensible capacity from the table by adding [1.10 x CFM x (1 - DR) x (dbE - 80)].

DR — Depression ratio
 dbE — Entering air dry bulb
 wBE — Entering air wet bulb

NOTES: ① When the entering air dry bulb is other than 80°F [27°C], adjust the sensible capacity from the table by adding [1.10 x CFM x (1 - DR) x (dbE - 80)].

DR — Depression ratio
 dbE — Entering air dry bulb
 wBE — Entering air wet bulb

NOTES: ① When the entering air dry bulb is other than 80°F [27°C], adjust the sensible capacity from the table by adding [1.10 x CFM x (1 - DR) x (dbE - 80)].

DR — Depression ratio
 dbE — Entering air dry bulb
 wBE — Entering air wet bulb

NOTES: ① When the entering air dry bulb is other than 80°F [27°C], adjust the sensible capacity from the table by adding [1.10 x CFM x (1 - DR) x (dbE - 80)].

DR — Depression ratio
 dbE — Entering air dry bulb
 wBE — Entering air wet bulb

NOTES: ① When the entering air dry bulb is other than 80°F [27°C], adjust the sensible capacity from the table by adding [1.10 x CFM x (1 - DR) x (dbE - 80)].

DR — Depression ratio
 dbE — Entering air dry bulb
 wBE — Entering air wet bulb

NOTES: ① When the entering air dry bulb is other than 80°F [27°C], adjust the sensible capacity from the table by adding [1.10 x CFM x (1 - DR) x (dbE - 80)].

DR — Depression ratio
 dbE — Entering air dry bulb
 wBE — Entering air wet bulb

NOTES: ① When the entering air dry bulb is other than 80°F [27°C], adjust the sensible capacity from the table by adding [1.10 x CFM x (1 - DR) x (dbE - 80)].

DR — Depression ratio
 dbE — Entering air dry bulb
 wBE — Entering air wet bulb

NOTES: ① When the entering air dry bulb is other than 80°F [27°C], adjust the sensible capacity from the table by adding [1.10 x CFM x (1 - DR) x (dbE - 80)].

DR — Depression ratio
 dbE — Entering air dry bulb
 wBE — Entering air wet bulb

NOTES: ① When the entering air dry bulb is other than 80°F [27°C], adjust the sensible capacity from the table by adding [1.10 x CFM x (1 - DR) x (dbE - 80)].



HEATING PERFORMANCE DATA – RHPDZT090A

IDB		60°F [15.5°C]			70°F [21.1°C]			80°F [26.7°C]			
		CFM [L/s]	3600 [1699]	3030 [1430]	2400 [1133]	3600 [1699]	3030 [1430]	2400 [1133]	3600 [1699]	3030 [1430]	2400 [1133]
O U T D O O R D R Y B U L B T E M P E R A T U R E	0°F [-17.8°C]	Total BTUH [kW] Power	29.9 [8.8] 4.8	29.5 [8.7] 5.0	29.1 [8.5] 5.1	27.8 [8.1] 5.4	27.4 [8.0] 5.5	27.0 [7.9] 5.7	25.6 [7.5] 6.1	25.3 [7.4] 6.2	24.9 [7.3] 6.4
	5°F [-15.0°C]	Total BTUH [kW] Power	35.9 [10.5] 4.9	35.5 [10.4] 5.0	34.9 [10.2] 5.1	33.8 [9.9] 5.4	33.3 [9.8] 5.6	32.8 [9.6] 5.7	31.6 [9.3] 6.1	31.2 [9.1] 6.3	30.7 [9.0] 6.4
	10°F [-12.2°C]	Total BTUH [kW] Power	41.9 [12.3] 4.9	41.4 [12.1] 5.1	40.8 [11.9] 5.2	39.8 [11.7] 5.5	39.2 [11.5] 5.6	38.7 [11.3] 5.8	37.6 [11.0] 6.2	37.1 [10.9] 6.3	36.6 [10.7] 6.5
	15°F [-9.4°C]	Total BTUH [kW] Power	47.9 [14.0] 5.0	47.3 [13.9] 5.1	46.6 [13.7] 5.2	45.8 [13.4] 5.5	45.2 [13.2] 5.7	44.5 [13.0] 5.8	43.6 [12.8] 6.2	43.0 [12.6] 6.4	42.4 [12.4] 6.5
	20°F [-6.7°C]	Total BTUH [kW] Power	53.9 [15.8] 5.0	53.2 [15.6] 5.2	52.4 [15.4] 5.3	51.8 [15.2] 5.6	51.1 [15.0] 5.7	50.3 [14.7] 5.9	49.6 [14.5] 6.3	49.0 [14.3] 6.4	48.2 [14.1] 6.6
	25°F [-3.9°C]	Total BTUH [kW] Power	59.9 [17.6] 5.1	59.1 [17.3] 5.2	58.3 [17.1] 5.3	57.8 [16.9] 5.6	57.0 [16.7] 5.8	56.2 [16.5] 5.9	55.6 [16.3] 6.3	54.9 [16.1] 6.5	54.1 [15.8] 6.6
	30°F [-1.1°C]	Total BTUH [kW] Power	65.9 [19.3] 5.1	65.1 [19.1] 5.3	64.1 [18.8] 5.4	63.8 [18.7] 5.7	62.9 [18.4] 5.8	62.0 [18.2] 6.0	61.6 [18.1] 6.4	60.8 [17.8] 6.5	59.9 [17.6] 6.7
	35°F [1.7°C]	Total BTUH [kW] Power	71.9 [21.1] 5.2	71.0 [20.8] 5.3	69.9 [20.5] 5.4	69.8 [20.4] 5.7	68.8 [20.2] 5.9	67.8 [19.9] 6.0	67.6 [19.8] 6.4	66.7 [19.6] 6.6	65.7 [19.3] 6.7
	40°F [4.4°C]	Total BTUH [kW] Power	77.9 [22.8] 5.2	76.9 [22.5] 5.4	75.8 [22.2] 5.5	75.8 [22.2] 5.8	74.8 [21.9] 5.9	73.7 [21.6] 6.1	73.6 [21.6] 6.5	72.6 [21.3] 6.6	71.6 [21.0] 6.8
	45°F [7.2°C]	Total BTUH [kW] Power	83.9 [24.6] 5.3	82.8 [24.3] 5.4	81.6 [23.9] 5.5	81.8 [24.0] 5.8	80.7 [23.6] 6.0	79.5 [23.3] 6.1	79.6 [23.3] 6.5	78.6 [23.0] 6.7	77.4 [22.7] 6.8
50°F [10.0°C]	Total BTUH [kW] Power	89.9 [26.4] 5.3	88.7 [26.0] 5.5	87.4 [25.6] 5.6	87.8 [25.7] 5.9	86.6 [25.4] 6.0	85.3 [25.0] 6.2	85.6 [25.1] 6.6	84.5 [24.8] 6.7	83.2 [24.4] 6.9	

IDB—Indoor air dry bulb

[] Designates Metric Conversions



COOLING PERFORMANCE DATA — RHPDZT102A

wBE		ENTERING INDOOR AIR @ 80°F [26.7°C] dbE ①														
		71°F [21.7°C]			67°F [19.4°C]			63°F [17.2°C]			61°F [16.1°C]			59°F [15.0°C]		
CFM [L/s]	DR ②	3840 [1812]	3345 [1579]	2560 [1208]	3840 [1812]	3345 [1579]	2560 [1208]	3840 [1812]	3345 [1579]	2560 [1208]	3840 [1812]	3345 [1579]	2560 [1208]	3840 [1812]	3345 [1579]	2560 [1208]
75 [23.9]	Total BTUH [kW]	121.8 [35.7]	118.6 [34.8]	113.6 [33.3]	116.1 [34.0]	113.0 [33.1]	108.2 [31.7]	108.2 [31.7]	107.1 [31.4]	102.5 [30.0]	105.8 [31.3]	104.0 [30.5]	99.6 [29.2]	103.7 [30.4]	100.9 [29.6]	96.6 [28.3]
	Sens BTUH [kW]	75.6 [22.2]	70.7 [20.7]	63.0 [18.5]	85.1 [24.9]	79.6 [23.3]	70.9 [20.8]	92.9 [27.2]	86.9 [25.5]	77.4 [22.7]	95.9 [28.1]	89.7 [26.3]	79.9 [23.4]	98.1 [28.8]	91.8 [26.9]	81.7 [23.9]
	Power	6.4	6.3	6.1	6.3	6.2	6.1	6.3	6.2	6.1	6.2	6.2	6.0	6.2	6.1	6.0
80 [26.7]	Total BTUH [kW]	118.9 [34.8]	115.8 [33.9]	110.8 [32.5]	113.1 [33.1]	110.2 [32.3]	105.5 [30.9]	107.0 [31.4]	104.2 [30.5]	99.8 [29.2]	103.9 [30.5]	101.2 [29.7]	96.9 [28.4]	100.7 [29.5]	98.1 [28.7]	93.9 [27.5]
	Sens BTUH [kW]	74.4 [21.8]	69.6 [20.4]	62.0 [18.2]	83.9 [24.6]	78.5 [23.0]	69.9 [20.5]	91.7 [26.9]	85.8 [25.1]	76.4 [22.4]	94.7 [27.8]	88.6 [26.0]	78.9 [23.1]	96.9 [28.4]	90.7 [26.6]	80.7 [23.7]
	Power	6.7	6.6	6.4	6.6	6.5	6.4	6.6	6.6	6.3	6.5	6.4	6.3	6.5	6.4	6.3
85 [29.4]	Total BTUH [kW]	115.9 [34.0]	112.8 [33.1]	108.0 [31.7]	110.1 [32.3]	107.2 [31.4]	102.6 [30.1]	104.0 [30.5]	101.3 [29.7]	97.0 [28.4]	100.9 [29.6]	98.2 [28.8]	94.1 [27.6]	97.7 [28.6]	95.1 [27.9]	91.1 [26.7]
	Sens BTUH [kW]	73.0 [21.4]	68.3 [20.0]	60.8 [17.8]	82.5 [24.2]	77.2 [22.6]	68.7 [20.1]	90.3 [26.5]	84.5 [24.8]	75.2 [22.1]	93.3 [27.4]	87.3 [25.6]	77.8 [22.8]	95.5 [28.0]	89.4 [26.2]	79.6 [23.3]
	Power	7.0	6.9	6.7	6.9	6.8	6.7	6.9	6.8	6.7	6.9	6.8	6.6	6.8	6.7	6.6
90 [32.2]	Total BTUH [kW]	112.8 [33.0]	109.8 [32.2]	105.1 [30.8]	107.0 [31.4]	104.2 [30.5]	99.7 [29.2]	100.9 [29.6]	98.3 [28.8]	94.1 [27.6]	97.8 [28.7]	95.2 [27.9]	91.2 [27.0]	94.6 [27.7]	92.1 [27.0]	88.2 [25.8]
	Sens BTUH [kW]	71.4 [20.9]	66.8 [19.6]	59.5 [17.4]	80.9 [23.7]	75.7 [22.2]	67.4 [19.8]	88.8 [26.0]	83.0 [24.3]	73.9 [21.7]	91.8 [26.9]	85.8 [25.2]	76.4 [22.4]	94.0 [27.5]	87.9 [25.8]	78.3 [22.9]
	Power	7.3	7.2	7.1	7.3	7.2	7.0	7.2	7.1	7.0	7.2	7.1	7.0	7.2	7.1	6.9
95 [35]	Total BTUH [kW]	109.6 [32.1]	106.7 [31.3]	102.1 [29.9]	103.8 [30.4]	101.1 [29.6]	96.8 [28.4]	97.7 [28.6]	95.2 [27.9]	91.1 [26.7]	94.6 [27.7]	92.1 [27.0]	88.2 [25.8]	91.4 [26.8]	89.0 [26.1]	85.2 [25.0]
	Sens BTUH [kW]	69.7 [20.4]	65.2 [19.1]	58.0 [17.0]	79.2 [23.2]	74.1 [21.7]	66.0 [19.3]	87.0 [25.5]	81.4 [23.9]	72.5 [21.2]	90.0 [26.4]	84.2 [24.7]	75.5 [22.0]	91.4 [26.8]	86.3 [25.3]	76.8 [22.5]
	Power	7.7	7.6	7.5	7.7	7.6	7.4	7.6	7.5	7.4	7.6	7.5	7.3	7.6	7.5	7.3
100 [37.8]	Total BTUH [kW]	106.3 [31.1]	103.5 [30.3]	99.1 [29.0]	100.5 [29.5]	97.9 [28.7]	93.7 [27.5]	94.4 [27.7]	92.0 [26.9]	88.0 [25.8]	91.3 [26.8]	88.9 [26.1]	85.1 [24.9]	88.1 [25.8]	85.8 [25.1]	82.1 [24.1]
	Sens BTUH [kW]	67.7 [19.9]	63.4 [18.6]	56.4 [16.5]	77.2 [22.6]	72.3 [21.2]	64.3 [18.9]	85.1 [24.9]	79.6 [23.3]	70.9 [20.8]	88.1 [25.8]	82.4 [24.1]	73.4 [21.5]	88.1 [25.8]	84.4 [24.7]	75.2 [22.0]
	Power	8.1	8.0	7.9	8.1	8.0	7.8	8.0	7.9	7.8	8.0	7.9	7.7	8.0	7.9	7.7
105 [40.6]	Total BTUH [kW]	102.9 [30.2]	100.2 [29.4]	95.9 [28.1]	97.1 [28.5]	94.6 [27.7]	90.5 [26.5]	91.1 [26.7]	88.7 [26.0]	84.9 [24.9]	87.9 [25.8]	85.6 [25.1]	82.0 [24.0]	84.7 [24.8]	82.5 [24.2]	79.0 [23.1]
	Sens BTUH [kW]	65.6 [19.2]	61.4 [18.0]	54.7 [16.0]	75.1 [22.0]	70.3 [20.6]	62.6 [18.3]	82.9 [24.3]	77.6 [22.7]	69.1 [20.2]	85.9 [25.2]	80.4 [23.6]	71.6 [21.0]	84.7 [24.8]	82.5 [24.2]	73.4 [21.5]
	Power	8.6	8.5	8.3	8.5	8.4	8.2	8.5	8.4	8.2	8.5	8.3	8.2	8.4	8.3	8.1
110 [43.3]	Total BTUH [kW]	99.4 [29.1]	96.8 [28.4]	92.7 [27.2]	93.7 [27.4]	91.2 [26.7]	87.3 [25.6]	87.6 [25.7]	85.3 [25.0]	81.7 [23.9]	84.5 [24.7]	82.2 [24.1]	78.7 [23.1]	81.3 [23.8]	79.1 [23.2]	75.8 [22.2]
	Sens BTUH [kW]	63.3 [18.6]	59.2 [17.4]	52.7 [15.5]	72.8 [21.3]	68.1 [20.0]	60.6 [17.8]	80.6 [23.6]	75.4 [22.1]	67.2 [19.7]	83.6 [24.5]	78.2 [22.9]	69.7 [20.4]	81.3 [23.8]	79.1 [23.2]	71.5 [20.9]
	Power	9.0	8.9	8.7	9.0	8.9	8.7	8.9	8.8	8.6	8.9	8.8	8.6	8.9	8.8	8.6
115 [46.1]	Total BTUH [kW]	95.9 [28.1]	93.4 [27.4]	89.4 [26.2]	90.1 [26.4]	87.8 [25.7]	84.0 [24.6]	84.0 [24.6]	81.8 [24.0]	78.3 [23.0]	80.9 [23.7]	78.8 [23.1]	75.4 [22.1]	77.7 [22.8]	75.7 [22.2]	72.4 [21.2]
	Sens BTUH [kW]	60.8 [17.8]	56.9 [16.7]	50.6 [14.8]	70.3 [20.6]	65.8 [19.3]	58.6 [17.2]	78.1 [22.9]	73.1 [21.4]	65.1 [19.1]	80.9 [23.7]	75.9 [22.2]	67.6 [19.8]	77.7 [22.8]	75.7 [22.2]	69.4 [20.3]
	Power	9.5	9.4	9.2	9.5	9.4	9.2	9.4	9.3	9.1	9.4	9.3	9.1	9.4	9.3	9.1
120 [48.9]	Total BTUH [kW]	92.3 [27.0]	89.8 [26.3]	86.0 [25.2]	86.5 [25.3]	84.2 [24.7]	80.6 [23.6]	80.4 [23.6]	78.3 [22.9]	75.0 [22.0]	77.3 [22.6]	75.2 [22.0]	72.0 [21.1]	74.1 [21.7]	72.1 [21.1]	69.1 [20.2]
	Sens BTUH [kW]	58.1 [17.0]	54.4 [15.9]	48.4 [14.2]	67.6 [19.8]	63.2 [18.5]	56.3 [16.5]	75.4 [22.1]	70.6 [20.7]	62.8 [18.4]	77.3 [22.6]	73.4 [21.5]	65.3 [19.1]	74.1 [21.7]	72.1 [21.1]	67.2 [19.7]
	Power	10.1	9.9	9.7	10.0	9.9	9.7	10.0	9.8	9.6	10.0	9.8	9.6	9.9	9.8	9.6
125 [51.7]	Total BTUH [kW]	88.5 [25.9]	86.2 [25.3]	82.5 [24.2]	82.7 [24.2]	80.6 [23.6]	77.1 [22.6]	76.7 [22.5]	74.7 [21.9]	71.5 [20.9]	73.5 [21.5]	71.6 [21.0]	68.6 [20.1]	70.3 [20.6]	68.5 [20.1]	65.6 [19.2]
	Sens BTUH [kW]	55.2 [16.2]	51.7 [15.1]	46.0 [13.5]	64.7 [19.0]	60.5 [17.7]	53.9 [15.8]	72.6 [21.3]	67.9 [19.9]	60.4 [17.7]	73.5 [21.5]	70.7 [20.7]	62.9 [18.4]	70.3 [20.6]	68.5 [20.1]	64.8 [19.0]
	Power	10.6	10.5	10.3	10.6	10.4	10.2	10.5	10.4	10.2	10.5	10.4	10.2	10.5	10.4	10.1

DR — Depression ratio
 dbE — Entering air dry bulb
 wBE — Entering air wet bulb

NOTES: ① When the entering air dry bulb is other than 80°F [27°C], adjust the sensible capacity from the table by adding [1.10 x CFM x (1 - DR) x (dbE - 80)].

[] Designates Metric Conversions

Total — Total capacity x 1000 BTUH
 Sens — Sensible capacity x 1000 BTUH
 Power — kW Input



HEATING PERFORMANCE DATA – RHPDZT102A

IDB		60°F [15.5°C]			70°F [21.1°C]			80°F [26.7°C]			
		CFM [L/s]	3840 [1812]	3345 [1579]	2560 [1208]	3840 [1812]	3345 [1579]	2560 [1208]	3840 [1812]	3345 [1579]	2560 [1208]
O U T D O O R D R Y B U L B T E M P E R A T U R E	0°F [-17.8°C]	Total BTUH [kW] Power	37.0 [10.8] 5.7	36.6 [10.7] 5.8	36.0 [10.5] 6.0	34.2 [10.0] 6.3	33.8 [9.9] 6.4	33.2 [9.7] 6.6	31.3 [9.2] 7.0	31.0 [9.1] 7.1	30.5 [8.9] 7.3
	5°F [-15.0°C]	Total BTUH [kW] Power	43.6 [12.8] 5.8	43.1 [12.6] 5.9	42.4 [12.4] 6.1	40.7 [11.9] 6.4	40.3 [11.8] 6.5	39.6 [11.6] 6.7	37.9 [11.1] 7.1	37.5 [11.0] 7.2	36.9 [10.8] 7.4
	10°F [-12.2°C]	Total BTUH [kW] Power	50.1 [14.7] 5.8	49.6 [14.5] 6.0	48.8 [14.3] 6.1	47.3 [13.9] 6.4	46.8 [13.7] 6.6	46.0 [13.5] 6.7	44.5 [13.0] 7.1	44.0 [12.9] 7.3	43.3 [12.7] 7.5
	15°F [-9.4°C]	Total BTUH [kW] Power	56.7 [16.6] 5.9	56.1 [16.4] 6.0	55.2 [16.2] 6.2	53.9 [15.8] 6.5	53.3 [15.6] 6.6	52.4 [15.4] 6.8	51.1 [15.0] 7.2	50.5 [14.8] 7.4	49.7 [14.6] 7.6
	20°F [-6.7°C]	Total BTUH [kW] Power	63.3 [18.5] 6.0	62.6 [18.4] 6.1	61.6 [18.0] 6.3	60.5 [17.7] 6.6	59.8 [17.5] 6.7	58.8 [17.2] 6.9	57.6 [16.9] 7.3	57.0 [16.7] 7.4	56.1 [16.4] 7.6
	25°F [-3.9°C]	Total BTUH [kW] Power	69.9 [20.5] 6.1	69.1 [20.3] 6.2	68.0 [19.9] 6.4	67.0 [19.6] 6.6	66.3 [19.4] 6.8	65.2 [19.1] 7.0	64.2 [18.8] 7.4	63.5 [18.6] 7.5	62.5 [18.3] 7.7
	30°F [-1.1°C]	Total BTUH [kW] Power	76.4 [22.4] 6.1	75.6 [22.2] 6.2	74.4 [21.8] 6.4	73.6 [21.6] 6.7	72.8 [21.3] 6.8	71.6 [21.0] 7.0	70.8 [20.7] 7.4	70.0 [20.5] 7.6	68.9 [20.2] 7.8
	35°F [1.7°C]	Total BTUH [kW] Power	83.0 [24.3] 6.2	82.1 [24.1] 6.3	80.7 [23.7] 6.5	80.2 [23.5] 6.8	79.3 [23.2] 6.9	78.0 [22.9] 7.1	77.3 [22.7] 7.5	76.5 [22.4] 7.6	75.2 [22.0] 7.9
	40°F [4.4°C]	Total BTUH [kW] Power	89.6 [26.2] 6.3	88.6 [26.0] 6.4	87.1 [25.5] 6.6	86.7 [25.4] 6.9	85.8 [25.2] 7.0	84.4 [24.7] 7.2	83.9 [24.6] 7.6	83.0 [24.3] 7.7	81.6 [23.9] 7.9
	45°F [7.2°C]	Total BTUH [kW] Power	96.1 [28.2] 6.3	95.1 [27.9] 6.5	93.5 [27.4] 6.7	93.3 [27.3] 6.9	92.3 [27.1] 7.1	90.8 [26.6] 7.3	90.5 [26.5] 7.6	89.5 [26.2] 7.8	88.0 [25.8] 8.0
50°F [10.0°C]	Total BTUH [kW] Power	102.7 [30.1] 6.4	101.6 [29.8] 6.5	99.9 [29.3] 6.7	99.9 [29.3] 7.0	98.8 [29.0] 7.1	97.2 [28.5] 7.3	97.0 [28.4] 7.7	96.0 [28.1] 7.9	94.4 [27.7] 8.1	

IDB—Indoor air dry bulb

[] Designates Metric Conversions





HEATING PERFORMANCE DATA – RHPDZT120A

IDB		60°F [15.5°C]			70°F [21.1°C]			80°F [26.7°C]			
CFM [L/s]		4560 [2152]	4060 [1916]	3040 [1435]	4560 [2152]	4060 [1916]	3040 [1435]	4560 [2152]	4060 [1916]	3040 [1435]	
O U T D O O R D R Y B U L B T E M P E R A T U R E	0°F [-17.8°C]	Total BTUH [kW] Power	47.5 [13.9] 5.8	47.1 [13.8] 5.9	46.2 [13.5] 6.1	43.9 [12.9] 6.5	43.5 [12.7] 6.6	42.7 [12.5] 6.8	40.2 [11.8] 7.3	39.9 [11.7] 7.4	39.1 [11.5] 7.7
	5°F [-15.0°C]	Total BTUH [kW] Power	54.6 [16.0] 5.9	54.1 [15.9] 6.0	53.1 [15.6] 6.2	50.9 [14.9] 6.6	50.5 [14.8] 6.7	49.6 [14.5] 6.9	47.3 [13.9] 7.4	46.9 [13.7] 7.5	46.0 [13.5] 7.8
	10°F [-12.2°C]	Total BTUH [kW] Power	61.7 [18.1] 6.0	61.1 [17.9] 6.1	60.0 [17.6] 6.3	58.0 [17.0] 6.7	57.5 [16.9] 6.8	56.5 [16.5] 7.1	54.4 [15.9] 7.5	53.9 [15.8] 7.6	52.9 [15.5] 7.9
	15°F [-9.4°C]	Total BTUH [kW] Power	68.7 [20.1] 6.1	68.1 [20.0] 6.2	66.9 [19.6] 6.4	65.1 [19.1] 6.9	64.5 [18.9] 7.0	63.4 [18.6] 7.2	61.4 [18.0] 7.6	60.9 [17.8] 7.8	59.8 [17.5] 8.0
	20°F [-6.7°C]	Total BTUH [kW] Power	75.8 [22.2] 6.3	75.1 [22.0] 6.4	73.8 [21.6] 6.6	72.2 [21.1] 7.0	71.5 [21.0] 7.1	70.3 [20.6] 7.3	68.5 [20.1] 7.8	67.9 [19.9] 7.9	66.7 [19.5] 8.1
	25°F [-3.9°C]	Total BTUH [kW] Power	82.9 [24.3] 6.4	82.2 [24.1] 6.5	80.7 [23.6] 6.7	79.2 [23.2] 7.1	78.6 [23.0] 7.2	77.1 [22.6] 7.4	75.6 [22.2] 7.9	74.9 [22.0] 8.0	73.6 [21.6] 8.2
	30°F [-1.1°C]	Total BTUH [kW] Power	90.0 [26.4] 6.5	89.2 [26.1] 6.6	87.6 [25.7] 6.8	86.3 [25.3] 7.2	85.6 [25.1] 7.3	84.0 [24.6] 7.5	82.7 [24.2] 8.0	82.0 [24.0] 8.1	80.5 [23.6] 8.4
	35°F [1.7°C]	Total BTUH [kW] Power	97.0 [28.4] 6.6	96.2 [28.2] 6.7	94.5 [27.7] 6.9	93.4 [27.4] 7.3	92.6 [27.1] 7.4	90.9 [26.6] 7.7	89.8 [26.3] 8.1	89.0 [26.1] 8.2	87.4 [25.6] 8.5
	40°F [4.4°C]	Total BTUH [kW] Power	104.1 [30.5] 6.7	103.2 [30.2] 6.8	101.4 [29.7] 7.0	100.5 [29.4] 7.4	99.6 [29.2] 7.5	97.8 [28.7] 7.8	96.8 [28.4] 8.2	96.0 [28.1] 8.3	94.3 [27.6] 8.6
	45°F [7.2°C]	Total BTUH [kW] Power	111.2 [32.6] 6.8	110.2 [32.3] 6.9	108.2 [31.7] 7.1	107.6 [31.5] 7.5	106.6 [31.2] 7.6	104.7 [30.7] 7.9	103.9 [30.4] 8.3	103.0 [30.2] 8.4	101.2 [29.6] 8.7
50°F [10.0°C]	Total BTUH [kW] Power	118.3 [34.7] 6.9	117.2 [34.4] 7.0	115.1 [33.7] 7.3	114.6 [33.6] 7.6	113.6 [33.3] 7.8	111.6 [32.7] 8.0	111.0 [32.5] 8.4	110.0 [32.2] 8.6	108.0 [31.7] 8.8	

IDB—Indoor air dry bulb

[] Designates Metric Conversions



AIRFLOW PERFORMANCE— 7.5 TON [26.4 kW] — 60 Hz — DOWNFLOW

Model RHPDZ*090* Voltage 208/230, 460, 575 — 3 phase 60 Hz

Air Flow CFM [L/s]	External Static Pressure—Inches of Water [kPa]																																								
	0.1 [0.02]		0.2 [0.05]		0.3 [0.07]		0.4 [0.10]		0.5 [0.12]		0.6 [0.15]		0.7 [0.17]		0.8 [0.20]		0.9 [0.22]		1.0 [0.25]		1.1 [0.27]		1.2 [0.30]		1.3 [0.32]		1.4 [0.35]		1.5 [0.37]		1.6 [0.40]		1.7 [0.42]		1.8 [0.45]		1.9 [0.47]		2.0 [0.50]		
	RPM	W	RPM	W	RPM	W	RPM	W	RPM	W	RPM	W	RPM	W	RPM	W	RPM	W	RPM	W	RPM	W	RPM	W	RPM	W	RPM	W	RPM	W	RPM	W	RPM	W	RPM	W	RPM	W	RPM	W	RPM
2400 [1133]	—	—	551	782	585	814	619	848	652	885	684	926	717	969	748	1016	780	1065	810	1118	841	1174	870	1233	900	1294	929	1359	957	1427	985	1498	1012	1572	1039	1649	1065	1729	1091	1813	
2500 [1180]	—	—	562	816	596	848	629	884	661	923	693	964	725	1009	756	1057	787	1108	817	1162	846	1219	876	1279	904	1343	933	1409	960	1478	987	1550	1014	1626	1040	1704	1066	1786	1092	1870	
2600 [1227]	—	—	574	851	607	885	639	922	671	962	702	1006	733	1052	764	1101	794	1153	823	1209	852	1267	881	1329	909	1393	937	1461	964	1531	990	1605	1016	1682	1042	1762	1067	1844	1092	1930	
2700 [1274]	553	857	585	889	618	925	650	963	681	1004	712	1049	742	1096	772	1147	801	1201	830	1258	858	1317	886	1380	914	1446	941	1515	967	1587	993	1662	1019	1740	1044	1821	1068	1905	1092	1993	
2800 [1321]	565	896	597	930	629	966	660	1006	691	1049	721	1095	751	1144	780	1196	808	1251	837	1309	864	1370	892	1434	919	1501	945	1572	971	1645	996	1721	1021	1801	1045	1883	1069	1969	1093	2057	
2900 [1368]	577	937	609	972	640	1010	670	1051	701	1096	730	1143	759	1193	788	1246	816	1303	843	1362	871	1425	897	1490	923	1559	949	1630	974	1705	999	1783	1023	1864	1047	1948	1070	2035	1093	2124	
3000 [1416]	590	981	621	1017	651	1057	681	1099	710	1145	739	1193	768	1245	796	1300	823	1357	850	1418	877	1482	903	1549	928	1619	953	1692	978	1768	1002	1847	1026	1929	1049	2014	1072	2103	1094	2194	
3100 [1463]	602	1027	633	1065	662	1105	692	1149	720	1196	749	1246	777	1299	804	1355	831	1414	857	1476	883	1541	908	1610	933	1681	958	1755	982	1833	1005	1913	1028	1997	1051	2083	1073	2173	1094	2266	
3200 [1510]	615	1075	645	1114	674	1157	702	1202	731	1250	758	1301	785	1356	812	1413	838	1473	864	1537	889	1603	914	1673	938	1746	962	1821	986	1900	1008	1982	1031	2067	1053	2155	1074	2246	1095	2340	
3300 [1557]	628	1126	657	1166	685	1210	713	1256	741	1306	768	1359	794	1414	820	1473	846	1535	871	1600	896	1668	920	1739	944	1813	967	1890	989	1970	1012	2053	1033	2139	1055	2229	1075	2321	1096	2416	
3400 [1604]	640	1179	669	1221	697	1266	724	1314	751	1365	777	1419	803	1476	829	1536	854	1599	878	1665	902	1734	926	1807	949	1882	971	1960	993	2042	1015	2126	1036	2214	1057	2305	1077	2398	1097	2495	
3500 [1652]	653	1235	681	1278	708	1324	735	1373	761	1425	787	1481	812	1539	837	1601	861	1665	885	1733	909	1803	932	1877	954	1954	976	2034	997	2116	1018	2202	1039	2291	1059	2383	1078	2478	1097	2576	
3600 [1699]	666	1292	693	1337	720	1384	746	1435	771	1489	797	1545	821	1605	845	1668	869	1734	892	1803	915	1875	938	1950	959	2028	981	2109	1001	2193	1022	2280	1042	2371	1061	2464	1080	2560	1098	2660	

NOTE: A/F-Drive left of the bold line, B/G-Drive right of bold lines, C/H-Drive right of double line.

Drive Package	A/F	B/G	C/H
Motor H.P. [W]	2 [1491.4]	3 [2237.1]	3 [2237.1]
Blower Sheave	AK84H	AK84H	AK84H
Motor Sheave	1VL40*7/8	1VP50*7/8	1VP56*7/8
Belt	A49	A50	A51
Turns Open	0	1	2
RPM	767	721	678
		1	2
		3	4
		5	5
		0	1
		2	2
		3	3
		4	4
		5	5
		0	0
		1	1
		2	2
		3	3
		4	4
		5	5
		0	0
		1	1
		2	2
		3	3
		4	4
		5	5
		0	0
		1	1
		2	2
		3	3
		4	4
		5	5
		0	0
		1	1
		2	2
		3	3
		4	4
		5	5
		0	0
		1	1
		2	2
		3	3
		4	4
		5	5
		0	0
		1	1
		2	2
		3	3
		4	4
		5	5
		0	0
		1	1
		2	2
		3	3
		4	4
		5	5
		0	0
		1	1
		2	2
		3	3
		4	4
		5	5
		0	0
		1	1
		2	2
		3	3
		4	4
		5	5
		0	0
		1	1
		2	2
		3	3
		4	4
		5	5
		0	0
		1	1
		2	2
		3	3
		4	4
		5	5
		0	0
		1	1
		2	2
		3	3
		4	4
		5	5
		0	0
		1	1
		2	2
		3	3
		4	4
		5	5
		0	0
		1	1
		2	2
		3	3
		4	4
		5	5
		0	0
		1	1
		2	2
		3	3
		4	4
		5	5
		0	0
		1	1
		2	2
		3	3
		4	4
		5	5
		0	0
		1	1
		2	2
		3	3
		4	4
		5	5
		0	0
		1	1
		2	2
		3	3
		4	4
		5	5
		0	0
		1	1
		2	2
		3	3
		4	4
		5	5
		0	0
		1	1
		2	2
		3	3
		4	4
		5	5
		0	0
		1	1
		2	2
		3	3
		4	4
		5	5
		0	0
		1	1
		2	2
		3	3
		4	4
		5	5
		0	0
		1	1
		2	2
		3	3
		4	4
		5	5
		0	0
		1	1
		2	2
		3	3
		4	4
		5	5
		0	0
		1	1
		2	2
		3	3
		4	4
		5	5
		0	0
		1	1
		2	2
		3	3
		4	4
		5	5
		0	0
		1	1
		2	2
		3	3
		4	4
		5	5
		0	0
		1	1
		2	2
		3	3
		4	4
		5	5
		0	0
		1	1
		2	2
		3	3
		4	4
		5	5
		0	0
		1	1
		2	2
		3	3
		4	4
		5	5
		0	0
		1	1
		2	2
		3	3
		4	4
		5	5
		0	0
		1	1
		2	2
		3	3
		4	4
		5	5
		0	0
		1	1
		2	2
		3	3
		4	4
		5	5
		0	



AIRFLOW PERFORMANCE— 7.5 TON [26.4 kW] — 60 Hz — DOWNFLOW (con't.)

Airflow	AIRFLOW CORRECTION FACTORS *			COMPONENT AIRFLOW RESISTANCE				
	CFM [L/s]	Total MBH	Sensible MBH	Power kW	Wet Coil	Vertical Economizer RA Damper Open	Concentric Diffuser RXRN-AEF2000 & Concentric Adapter RXMC-DD01 (Flush)	Concentric Diffuser RXRN-AEF2000 & Concentric Adapter RXMC-DD01 (Drop)
2400 [1133]	0.97	0.92	0.99	0.99	0.06 [.01]	0.01 [.00]	0.66 [.16]	0.53 [.13]
2500 [1180]	0.98	0.93	0.99	0.99	0.06 [.01]	0.02 [.00]	0.71 [.18]	0.57 [.14]
2600 [1227]	0.99	0.95	0.99	0.99	0.06 [.02]	0.02 [.01]	0.75 [.19]	0.60 [.15]
2700 [1274]	0.99	0.96	0.99	0.99	0.07 [.02]	0.03 [.01]	0.80 [.20]	0.65 [.16]
2800 [1321]	0.99	0.98	1.00	1.00	0.07 [.02]	0.04 [.01]	0.85 [.21]	0.69 [.17]
2900 [1368]	1.00	1.00	1.00	1.00	0.08 [.02]	0.04 [.01]	0.91 [.23]	0.74 [.18]
3000 [1416]	1.01	1.01	1.00	1.00	0.08 [.02]	0.05 [.01]	0.96 [.24]	0.79 [.20]
3100 [1463]	1.01	1.03	1.00	1.00	0.09 [.02]	0.06 [.02]	1.02 [.25]	0.86 [.21]
3200 [1510]	1.02	1.04	1.01	1.01	0.10 [.02]	0.07 [.02]	1.08 [.27]	0.92 [.23]
3300 [1557]	1.02	1.06	1.01	1.01	0.10 [.02]	0.08 [.02]	1.15 [.29]	0.99 [.25]
3400 [1604]	1.03	1.08	1.01	1.01	0.11 [.03]	0.09 [.02]	1.21 [.30]	1.05 [.26]
3500 [1652]	1.04	1.09	1.01	1.01	0.11 [.03]	0.10 [.02]	1.29 [.32]	1.09 [.27]
3600 [1699]	1.04	1.11	1.02	1.02	0.12 [.03]	0.11 [.03]	1.36 [.34]	1.13 [.28]

*Multiply correction factor times gross performance data resulting sensible capacity cannot exceed total capacity.

[] Designates Metric Conversions



AIRFLOW PERFORMANCE— 7.5 TON [26.4 kW] — 60 Hz — SIDEFLOW

Air Flow CFM [L/s]	Model RHPDZ*090* Voltage 208/230, 460, 575 — 3 phase 60 Hz																																							
	External Static Pressure—Inches of Water [kPa]																																							
	0.1 [0.02]	0.2 [0.05]	0.3 [0.07]	0.4 [0.10]	0.5 [0.12]	0.6 [0.15]	0.7 [0.17]	0.8 [0.20]	0.9 [0.22]	1.0 [0.25]	1.1 [0.27]	1.2 [0.30]	1.3 [0.32]	1.4 [0.35]	1.5 [0.37]	1.6 [0.40]	1.7 [0.42]	1.8 [0.45]	1.9 [0.47]	2.0 [0.50]																				
2400 [1133]	—	—	558	822	594	853	629	887	663	925	697	965	730	1009	763	1056	794	1106	826	1159	856	1216	886	1275	915	1338	943	1404	971	1474	998	1546	1025	1622	1051	1700	1076	1782		
2500 [1180]	—	—	568	848	604	881	638	917	672	956	705	998	738	1044	769	1092	801	1144	831	1199	861	1258	890	1319	919	1384	947	1452	974	1523	1001	1597	1027	1674	1052	1755	1077	1838		
2600 [1227]	—	543	846	579	877	613	912	647	950	681	991	713	1035	745	1082	777	1132	807	1186	837	1243	867	1303	895	1366	923	1433	951	1502	978	1575	1004	1651	1029	1730	1054	1812	1078	1898	
2700 [1274]	—	554	877	589	910	623	946	657	986	689	1029	722	1074	753	1124	784	1176	814	1231	844	1290	872	1352	901	1417	928	1485	955	1556	981	1631	1007	1708	1032	1789	1056	1873	1079	1961	
2800 [1321]	—	566	911	600	946	634	984	666	1026	699	1070	730	1118	761	1169	792	1223	821	1280	850	1340	878	1404	906	1470	933	1540	959	1613	985	1690	1010	1769	1034	1852	1058	1938	1081	2027	
2900 [1368]	543	916	577	949	611	986	644	1026	676	1069	708	1115	739	1164	770	1217	799	1273	828	1332	857	1394	885	1459	912	1528	938	1599	964	1674	989	1752	1014	1833	1037	1918	1061	2005	1083	2096
3000 [1416]	555	955	589	990	622	1029	655	1070	687	1115	718	1163	748	1214	778	1269	807	1326	836	1387	864	1451	891	1518	918	1588	944	1662	969	1738	994	1818	1017	1901	1041	1987	1063	2077	1086	2169
3100 [1463]	568	998	601	1035	634	1075	666	1118	697	1165	728	1215	758	1268	787	1324	816	1383	844	1445	871	1511	898	1580	924	1652	949	1727	974	1806	998	1887	1022	1972	1044	2060	1066	2151	1088	2245
3200 [1510]	581	1044	614	1083	646	1125	677	1170	708	1218	738	1270	768	1324	796	1382	824	1443	852	1507	879	1575	905	1646	931	1719	955	1796	980	1876	1003	1960	1026	2046	1048	2136	1070	2229	1091	2325
3300 [1557]	594	1093	626	1134	658	1178	689	1225	719	1275	749	1328	778	1384	806	1444	833	1507	860	1573	887	1642	912	1714	937	1790	962	1869	985	1951	1008	2036	1031	2124	1052	2216	1073	2310	1094	2408
3400 [1604]	607	1146	639	1189	670	1234	701	1283	730	1335	759	1390	788	1448	815	1509	843	1574	869	1642	895	1713	920	1787	944	1864	968	1945	991	2028	1014	2115	1036	2205	1057	2298	1077	2395	1097	2494
3500 [1652]	621	1203	652	1247	683	1294	713	1344	742	1398	770	1455	798	1515	825	1578	852	1644	878	1714	903	1786	928	1862	952	1941	975	2024	997	2109	1019	2198	1041	2290	1061	2385	1081	2483	1101	2584
3600 [1699]	635	1262	666	1308	696	1357	725	1409	754	1465	782	1523	809	1585	836	1650	862	1718	887	1789	912	1864	936	1941	959	2022	982	2106	1004	2194	1025	2284	1046	2378	1066	2474	1086	2574	1104	2677

NOTE: A/F-Drive left of the bold line, B/G-Drive right of bold lines, C/H-Drive right of double line.

Drive Package	A/F	B/G	C/H
Motor H.P. [W]	2 [1491.4]	3 [2237.1]	3 [2237.1]
Blower Sheave	AK84H	AK84H	AK84H
Motor Sheave	1VL40*7/8	1VP50*7/8	1VP56*7/8
Belt	A49	A50	A51
Turns Open	0 1 2 3 4 5	0 1 2 3 4 5	0 1 2 3 4 5
RPM	765 720 676 633 589 544	989 949 908 865 823 780	1108 1067 1029 987 946 905

NOTES: 1. Factory sheave settings are shown in bold type.

2. Do not set motor sheave below minimum or maximum turns open shown.

3. Re-adjustment of sheave required to achieve rated airflow at AHRI minimum External Static Pressure

4. Add component resistance (below) to duct resistance to determine total External Static Pressure.

[] Designates Metric Conversions



AIRFLOW PERFORMANCE— 7.5 TON [26.4 kW] — 60 Hz — SIDEFLOW (con't.)

Airflow	AIRFLOW CORRECTION FACTORS *			COMPONENT AIRFLOW RESISTANCE				
	CFM [L/s]	Total MBH	Sensible MBH	Power kW	Wet Coil	Horizontal Economizer RA Damper Open	Concentric Diffuser RXRN-AEF2000 & Concentric Adapter RXMC-DD01 (Flush)	Concentric Diffuser RXRN-AEF2000 & Concentric Adapter RXMC-DD01 (Drop)
					Resistance — Inches of Water [kPa]			
2400 [1133]	0.97	0.92	0.99	0.99	0.06 [.01]	0.01 [.00]	0.66 [.16]	0.53 [.13]
2500 [1180]	0.97	0.93	0.99	0.99	0.06 [.01]	0.02 [.00]	0.71 [.18]	0.57 [.14]
2600 [1227]	0.98	0.95	0.99	0.99	0.06 [.02]	0.02 [.00]	0.75 [.19]	0.60 [.15]
2700 [1274]	0.99	0.96	0.99	0.99	0.07 [.02]	0.03 [.01]	0.80 [.20]	0.65 [.16]
2800 [1321]	0.99	0.98	1.00	1.00	0.07 [.02]	0.04 [.01]	0.85 [.21]	0.69 [.17]
2900 [1368]	1.00	1.00	1.00	1.00	0.08 [.02]	0.04 [.01]	0.91 [.23]	0.74 [.18]
3000 [1416]	1.01	1.01	1.00	1.00	0.08 [.02]	0.05 [.01]	0.96 [.24]	0.79 [.20]
3100 [1463]	1.01	1.03	1.00	1.00	0.09 [.02]	0.06 [.01]	1.02 [.25]	0.86 [.21]
3200 [1510]	1.02	1.04	1.01	1.01	0.10 [.02]	0.07 [.02]	1.08 [.27]	0.92 [.23]
3300 [1557]	1.02	1.06	1.01	1.01	0.10 [.03]	0.08 [.02]	1.15 [.29]	0.99 [.25]
3400 [1604]	1.03	1.08	1.01	1.01	0.11 [.03]	0.09 [.02]	1.21 [.30]	1.05 [.26]
3500 [1652]	1.04	1.09	1.01	1.01	0.11 [.03]	0.10 [.02]	1.29 [.32]	1.09 [.27]
3600 [1699]	1.04	1.11	1.02	1.02	0.12 [.03]	0.11 [.03]	1.36 [.34]	1.13 [.28]

*Multiply correction factor times gross performance data resulting sensible capacity cannot exceed total capacity.

[] Designates Metric Conversions



AIRFLOW PERFORMANCE—8.5 TON [29.9 kW] — 60 Hz — DOWNFLOW

Air Flow CFM [L/s]	Model RHPDZ*102* Voltage 208/230, 460, 575 — 3 phase 60 Hz																							
	External Static Pressure—Inches of Water [kPa]																							
	0.1 [0.02]	0.2 [0.05]	0.3 [0.07]	0.4 [0.10]	0.5 [0.12]	0.6 [0.15]	0.7 [0.17]	0.8 [0.20]	0.9 [0.22]	1.0 [0.25]	1.1 [0.27]	1.2 [0.30]	1.3 [0.32]	1.4 [0.35]	1.5 [0.37]	1.6 [0.40]	1.7 [0.42]	1.8 [0.45]	1.9 [0.47]	2.0 [0.50]				
2700 [127.4]	—	—	561 [894]	596 [934]	631 [975]	665 [1018]	698 [1062]	730 [1108]	762 [1155]	793 [1203]	823 [1253]	853 [1304]	882 [1357]	910 [1411]	937 [1467]	964 [1524]	990 [1583]	1015 [1643]	1039 [1704]	1063 [1767]	1086 [1832]			
2800 [132.1]	—	—	573 [927]	608 [969]	642 [1013]	676 [1058]	708 [1104]	740 [1152]	771 [1201]	802 [1252]	832 [1304]	861 [1358]	889 [1413]	917 [1470]	943 [1528]	970 [1587]	995 [1648]	1020 [1711]	1044 [1775]	1067 [1840]	1090 [1907]			
2900 [136.8]	—	—	586 [964]	620 [1008]	654 [1054]	687 [1101]	719 [1150]	750 [1200]	781 [1252]	811 [1305]	840 [1360]	869 [1416]	897 [1473]	924 [1532]	950 [1593]	976 [1654]	1001 [1718]	1025 [1782]	1048 [1848]	1071 [1916]	1093 [1985]			
3000 [141.6]	564 [959]	599 [1004]	633 [1051]	666 [1099]	698 [1149]	730 [1200]	761 [1253]	791 [1307]	820 [1362]	849 [1419]	877 [1477]	904 [1537]	931 [1598]	957 [1661]	982 [1725]	1006 [1791]	1030 [1858]	1053 [1926]	1075 [1996]	1097 [2067]				
3100 [146.3]	578 [1001]	612 [1048]	645 [1098]	678 [1148]	710 [1200]	741 [1254]	771 [1308]	801 [1365]	830 [1423]	858 [1482]	886 [1542]	912 [1605]	939 [1668]	964 [1733]	989 [1800]	1012 [1868]	1036 [1937]	1058 [2008]	1080 [2080]	1101 [2154]				
3200 [151.0]	592 [1046]	625 [1096]	658 [1148]	690 [1201]	721 [1255]	752 [1311]	782 [1368]	811 [1427]	840 [1487]	867 [1548]	894 [1611]	921 [1676]	946 [1742]	971 [1809]	995 [1878]	1019 [1948]	1041 [2020]	1063 [2093]	1085 [2168]	1106 [2244]				
3300 [155.7]	605 [1096]	638 [1148]	671 [1202]	702 [1257]	733 [1314]	763 [1372]	793 [1432]	821 [1493]	849 [1555]	877 [1619]	903 [1684]	929 [1751]	954 [1819]	979 [1889]	1002 [1960]	1025 [2033]	1047 [2107]	1069 [2182]	1090 [2259]	1110 [2337]				
3400 [160.4]	619 [1149]	652 [1204]	684 [1260]	715 [1317]	745 [1376]	775 [1437]	804 [1499]	832 [1562]	860 [1627]	886 [1693]	912 [1761]	938 [1830]	962 [1900]	986 [1972]	1009 [2046]	1032 [2121]	1053 [2197]	1074 [2275]	1095 [2354]	1114 [2435]				
3500 [165.2]	634 [1206]	666 [1263]	697 [1322]	728 [1382]	758 [1443]	787 [1506]	815 [1570]	843 [1635]	870 [1702]	896 [1771]	922 [1841]	946 [1912]	970 [1985]	994 [2060]	1017 [2135]	1038 [2213]	1060 [2291]	1080 [2371]	1100 [2453]	1119 [2536]				
3600 [169.9]	648 [1267]	680 [1326]	711 [1387]	741 [1449]	770 [1513]	799 [1578]	827 [1645]	854 [1713]	880 [1782]	906 [1853]	931 [1925]	955 [1999]	979 [2074]	1002 [2151]	1024 [2229]	1045 [2308]	1066 [2389]	1086 [2472]	1105 [2556]	1124 [2641]				
3700 [174.6]	663 [1332]	694 [1393]	724 [1456]	754 [1521]	783 [1587]	811 [1654]	838 [1723]	865 [1793]	891 [1865]	916 [1938]	941 [2013]	965 [2089]	988 [2167]	1010 [2246]	1032 [2326]	1053 [2408]	1073 [2491]	1092 [2576]	1111 [2662]	1129 [2750]				
3800 [179.4]	678 [1400]	708 [1464]	738 [1529]	767 [1596]	795 [1665]	823 [1734]	850 [1805]	876 [1878]	902 [1952]	926 [2028]	951 [2105]	974 [2183]	996 [2263]	1018 [2344]	1039 [2427]	1060 [2511]	1080 [2597]	1099 [2684]	1117 [2772]	1134 [2862]				
3900 [184.0]	693 [1472]	723 [1538]	752 [1606]	781 [1675]	808 [1746]	836 [1818]	862 [1892]	888 [1966]	913 [2043]	937 [2121]	961 [2200]	983 [2281]	1005 [2363]	1027 [2447]	1048 [2532]	1067 [2618]	1087 [2706]	1105 [2796]	1123 [2886]	1140 [2979]				
4000 [188.8]	708 [1548]	737 [1617]	766 [1687]	794 [1758]	822 [1831]	848 [1906]	874 [1981]	900 [2059]	924 [2137]	948 [2218]	971 [2299]	993 [2382]	1015 [2467]	1036 [2553]	1056 [2640]	1075 [2729]	1094 [2819]	1112 [2911]	1129 [3004]	1146 [3099]				
4100 [193.5]	723 [1628]	752 [1699]	781 [1771]	808 [1845]	835 [1920]	861 [1997]	887 [2075]	911 [2155]	935 [2236]	959 [2318]	981 [2402]	1003 [2488]	1024 [2574]	1045 [2663]	1064 [2752]	1083 [2844]	1101 [2936]	1119 [3030]	1136 [3126]	1152 [3223]				

NOTE: A/F-Drive left of the bold line, B/G-Drive right of bold lines, C/H-Drive right of double line.

Drive Package	A/F										B/G										C/H			
Motor H.P. [W]	2 [1491.4]										3 [2237.1]										3 [2237.1]			
Blower Sheave	AK79H										AK79H										AK79H			
Motor Sheave	1VL40*7/8										1VP50*7/8										1VP56*7/8			
Belt	A49										A50										A51			
Turns Open	0	1	2	3	4	5	0	1	2	3	4	5	0	1	2	3	4	5	0	1	2	3	4	5
RPM	804	758	710	661	616	559	1048	1003	959	914	872	826	1168	1128	1087	1044	1002	957	915	873	831	789	747	705

NOTES: 1. Factory sheave settings are shown in bold type.

2. Do not set motor sheave below minimum or maximum turns open shown.

3. Re-adjustment of sheave required to achieve rated airflow at AHRI minimum External Static Pressure

4. Add component resistance (below) to duct resistance to determine total External Static Pressure.

[] Designates Metric Conversions

**AIRFLOW PERFORMANCE—8.5 TON [29.9 kW] — 60 Hz — DOWNFLOW (con't.)**

Airflow	AIRFLOW CORRECTION FACTORS *			COMPONENT AIRFLOW RESISTANCE				
	CFM [L/s]	Total MBH	Sensible MBH	Power kW	Wet Coil	Vertical Economizer RA Damper Open	Concentric Diffuser RXRN-AEF2000 & Concentric Adapter RXMC-DD01 (Flush)	Concentric Diffuser RXRN-AEF2000 & Concentric Adapter RXMC-DD01 (Drop)
					Resistance — Inches of Water [kPa]			
2700 [1274]	0.99	0.96	0.99	0.99	0.07 [.02]	0.03 [.01]	0.80 [.20]	0.65 [.16]
2800 [1321]	0.99	0.98	1.00	1.00	0.07 [.02]	0.03 [.01]	0.85 [.21]	0.69 [.17]
2900 [1368]	1.00	1.00	1.00	1.00	0.08 [.02]	0.04 [.01]	0.91 [.23]	0.74 [.18]
3000 [1416]	1.01	1.01	1.00	1.00	0.08 [.02]	0.05 [.01]	0.96 [.24]	0.79 [.20]
3100 [1463]	1.01	1.03	1.00	1.00	0.09 [.02]	0.06 [.01]	1.02 [.25]	0.86 [.21]
3200 [1510]	1.02	1.04	1.01	1.01	0.10 [.02]	0.07 [.02]	1.08 [.27]	0.92 [.23]
3300 [1557]	1.02	1.06	1.01	1.01	0.10 [.03]	0.08 [.02]	1.15 [.29]	0.99 [.25]
3400 [1604]	1.03	1.08	1.01	1.01	0.11 [.03]	0.09 [.02]	1.21 [.30]	1.05 [.26]
3500 [1652]	1.04	1.09	1.01	1.01	0.11 [.03]	0.10 [.02]	1.29 [.32]	1.09 [.27]
3600 [1699]	1.04	1.11	1.02	1.02	0.12 [.03]	0.11 [.03]	1.36 [.34]	1.13 [.28]
3700 [1746]	1.05	1.12	1.02	1.02	0.13 [.03]	0.12 [.03]	1.43 [.36]	1.18 [.29]
3800 [1793]	1.05	1.14	1.02	1.02	0.13 [.03]	0.13 [.03]	1.50 [.37]	1.23 [.31]
3900 [1840]	1.06	1.16	1.02	1.02	0.14 [.04]	0.15 [.04]	1.59 [.40]	1.31 [.33]
4000 [1888]	1.07	1.17	1.02	1.02	0.14 [.04]	0.16 [.04]	1.68 [.42]	1.38 [.34]
4100 [1935]	1.07	1.19	1.03	1.03	0.15 [.04]	0.17 [.04]	1.74 [.43]	1.44 [.36]

*Multiply correction factor times gross performance data resulting sensible capacity cannot exceed total capacity.

[] Designates Metric Conversions

AIRFLOW PERFORMANCE— 8.5 TON [29.9 kW] — 60 Hz — SIDEFLOW

Air Flow CFM [L/s]	Model RHPDZ*102* Voltage 208/230, 460, 575 — 3 phase 60 Hz																																							
	External Static Pressure—Inches of Water [kPa]																																							
	0.1 [0.2]	0.2 [0.05]	0.3 [0.07]	0.4 [0.10]	0.5 [0.12]	0.6 [0.15]	0.7 [0.17]	0.8 [0.20]	0.9 [0.22]	1.0 [0.25]	1.1 [0.27]	1.2 [0.30]	1.3 [0.32]	1.4 [0.35]	1.5 [0.37]	1.6 [0.40]	1.7 [0.42]	1.8 [0.45]	1.9 [0.47]	2.0 [0.50]																				
2700 [127.4]	—	—	577	932	611	969	644	1009	677	1052	710	1098	742	1147	774	1199	806	1254	837	1312	868	1373	898	1437	929	1505	959	1575	988	1648	1017	1725	1046	1804	1074	1886	1102	1972		
2800 [132.1]	—	556	926	589	962	622	1000	655	1042	687	1087	719	1134	751	1185	783	1239	814	1295	844	1355	875	1418	905	1484	934	1553	963	1624	992	1699	1021	1777	1049	1858	1077	1942	1105	2029	
2900 [136.8]	—	568	958	601	995	633	1036	666	1079	697	1125	729	1174	760	1227	791	1282	821	1340	851	1402	881	1466	911	1533	940	1604	968	1677	997	1754	1025	1834	1052	1916	1080	2002	1107	2090	
3000 [141.6]	—	580	994	613	1033	645	1074	676	1119	708	1167	738	1218	769	1272	799	1329	829	1389	859	1452	888	1518	917	1587	945	1659	973	1734	1001	1812	1029	1894	1056	1978	1082	2065	1109	2155	
3100 [146.3]	561	996	593	1033	624	1073	656	1117	687	1163	718	1213	748	1265	778	1321	808	1379	837	1441	866	1506	895	1573	923	1644	951	1718	978	1794	1006	1874	1033	1957	1059	2043	1085	2132	1111	2224
3200 [151.0]	574	1037	605	1076	636	1118	667	1163	698	1211	728	1262	758	1316	787	1373	816	1434	845	1497	873	1563	902	1632	929	1705	957	1780	984	1858	1010	1940	1037	2024	1063	2112	1088	2202	1113	2296
3300 [155.7]	587	1082	618	1122	648	1166	679	1212	709	1262	738	1315	767	1371	796	1430	825	1491	853	1556	881	1624	908	1695	936	1769	962	1846	989	1926	1015	2009	1041	2095	1066	2184	1091	2276	1116	2372
3400 [160.4]	600	1130	630	1172	660	1217	690	1266	720	1317	749	1371	777	1429	806	1489	834	1553	861	1619	888	1689	915	1761	942	1837	968	1916	994	1997	1020	2082	1045	2170	1070	2260	1094	2354	1118	2451
3500 [165.2]	613	1182	643	1226	672	1273	702	1323	730	1376	759	1432	787	1491	815	1553	842	1618	869	1686	896	1757	922	1831	948	1909	974	1989	999	2072	1024	2158	1049	2248	1073	2340	1097	2436	1121	2534
3600 [169.9]	626	1238	656	1283	685	1332	713	1383	741	1438	769	1495	797	1556	824	1620	851	1687	877	1756	904	1829	929	1905	955	1984	980	2066	1005	2151	1029	2238	1053	2329	1077	2423	1100	2520	1123	2621
3700 [174.6]	640	1297	668	1344	697	1394	725	1447	753	1504	780	1563	807	1625	833	1690	860	1759	886	1830	911	1905	937	1982	961	2063	986	2146	1010	2233	1034	2322	1057	2415	1081	2510	1103	2609	1128	2711
3800 [179.3]	653	1360	681	1409	709	1460	737	1515	764	1573	790	1634	817	1698	843	1765	869	1835	894	1908	919	1984	944	2063	968	2145	992	2230	1016	2318	1039	2410	1062	2504	1084	2601	1107	2701	1128	2805
3900 [184.0]	667	1426	694	1471	721	1530	748	1587	775	1646	801	1709	827	1774	852	1843	878	1914	902	1989	927	2067	951	2147	975	2231	998	2318	1021	2408	1044	2500	1066	2596	1088	2695	1110	2797	1131	2902
4000 [188.8]	680	1496	707	1548	734	1604	760	1662	786	1723	812	1787	837	1854	862	1924	887	1998	911	2074	935	2153	958	2235	981	2321	1004	2409	1027	2501	1049	2595	1071	2693	1092	2793	1113	2897	1134	3003
4100 [193.5]	694	1570	720	1624	746	1681	772	1740	797	1803	822	1869	847	1938	872	2009	896	2084	919	2162	943	2243	965	2327	988	2414	1010	2504	1032	2597	1054	2693	1075	2792	1096	2895	1116	3000	1137	3108

NOTE: A/F-Drive left of the bold line, B/G-Drive right of bold lines, C/H-Drive right of double line.

Drive Package	A/F	B/G	C/H
Motor H.P. [W]	2 [1491.4]	3 [2237.1]	3 [2237.1]
Blower Sheave	AK79H	AK79H	AK79H
Motor Sheave	1VL40*7/8	1VP50*7/8	1VP56*7/8
Belt	A49	A50	A51
Turns Open	0 1 2 3 4 5	0 1 2 3 4 5	0 1 2 3 4 5
RPM	802 754 707 662 616 555	1048 1005 960 916 870 827	1170 1126 1085 1044 1000 956

NOTES: 1. Factory sheave settings are shown in bold type.

2. Do not set motor sheave below minimum or maximum turns open shown.

3. Re-adjustment of sheave required to achieve rated airflow at AHRI minimum External Static Pressure

4. Add component resistance (below) to duct resistance to determine total External Static Pressure.

[] Designates Metric Conversions



**AIRFLOW PERFORMANCE—8.5 TON [29.9 kW] — 60 Hz — SIDEFLOW (con't.)**

Airflow	AIRFLOW CORRECTION FACTORS *			COMPONENT AIRFLOW RESISTANCE				
	CFM [L/s]	Total MBH	Sensible MBH	Power kW	Wet Coil	Horizontal Economizer RA Damper Open	Concentric Diffuser RXRN-AEF2000 & Concentric Adapter RXMC-DD01 (Flush)	Concentric Diffuser RXRN-AEF2000 & Concentric Adapter RXMC-DD01 (Drop)
					Resistance — Inches of Water [kPa]			
2700 [1274]	0.99	0.96	0.99	0.99	0.07 [.02]	0.03 [.01]	0.80 [.20]	0.65 [.16]
2800 [1321]	0.99	0.98	1.00	1.00	0.07 [.02]	0.03 [.01]	0.85 [.21]	0.69 [.17]
2900 [1368]	1.00	1.00	1.00	1.00	0.08 [.02]	0.04 [.01]	0.91 [.23]	0.74 [.18]
3000 [1416]	1.01	1.01	1.00	1.00	0.08 [.02]	0.05 [.01]	0.96 [.24]	0.79 [.20]
3100 [1463]	1.01	1.03	1.00	1.00	0.09 [.02]	0.06 [.01]	1.02 [.25]	0.86 [.21]
3200 [1510]	1.02	1.04	1.01	1.01	0.10 [.02]	0.07 [.02]	1.08 [.27]	0.92 [.23]
3300 [1557]	1.02	1.06	1.01	1.01	0.10 [.03]	0.08 [.02]	1.15 [.29]	0.99 [.25]
3400 [1604]	1.03	1.08	1.01	1.01	0.11 [.03]	0.09 [.02]	1.21 [.30]	1.05 [.26]
3500 [1652]	1.04	1.09	1.01	1.01	0.11 [.03]	0.10 [.02]	1.29 [.32]	1.09 [.27]
3600 [1699]	1.04	1.11	1.02	1.02	0.12 [.03]	0.11 [.03]	1.36 [.34]	1.13 [.28]
3700 [1746]	1.05	1.12	1.02	1.02	0.13 [.03]	0.12 [.03]	1.43 [.36]	1.18 [.29]
3800 [1793]	1.05	1.14	1.02	1.02	0.13 [.03]	0.13 [.03]	1.50 [.37]	1.23 [.31]
3900 [1840]	1.06	1.16	1.02	1.02	0.14 [.04]	0.15 [.04]	1.59 [.40]	1.31 [.33]
4000 [1888]	1.07	1.17	1.02	1.02	0.15 [.04]	0.16 [.04]	1.68 [.42]	1.38 [.34]
4100 [1935]	1.07	1.19	1.03	1.03	0.15 [.04]	0.17 [.04]	1.74 [.43]	1.44 [.36]

*Multiply correction factor times gross performance data resulting sensible capacity cannot exceed total capacity.

[] Designates Metric Conversions



AIRFLOW PERFORMANCE— 10 TON [35.1 kW] — 60 Hz — DOWNFLOW (con't.)

Airflow	AIRFLOW CORRECTION FACTORS *			COMPONENT AIRFLOW RESISTANCE				
	CFM [L/s]	Total MBH	Sensible MBH	Power kW	Wet Coil	Vertical Economizer RA Damper Open	Concentric Diffuser RXRN-AEF3415 & Diffuser RXMC-DD02 (Flush)	Concentric Diffuser RXRN-AEF3415 & Diffuser RXMC-DD02 (Drop)
					Resistance — Inches of Water [kPa]			
3200 [1510]	0.96	0.91	0.98	0.07 [02]	0.07 [02]	0.74 [18]	0.56 [14]	
3300 [1557]	0.97	0.92	0.99	0.07 [02]	0.08 [02]	0.79 [20]	0.59 [15]	
3400 [1604]	0.97	0.93	0.99	0.07 [02]	0.09 [02]	0.84 [21]	0.62 [15]	
3500 [1652]	0.98	0.94	0.99	0.08 [02]	0.10 [02]	0.90 [22]	0.66 [16]	
3600 [1699]	0.98	0.95	0.99	0.08 [02]	0.11 [03]	0.95 [24]	0.69 [17]	
3700 [1746]	0.99	0.97	1.00	0.09 [02]	0.12 [03]	1.00 [25]	0.73 [18]	
3800 [1793]	0.99	0.98	1.00	0.09 [02]	0.13 [03]	1.04 [26]	0.76 [19]	
3900 [1840]	1.00	0.99	1.00	0.09 [02]	0.15 [04]	1.09 [27]	0.80 [20]	
4000 [1888]	1.00	1.00	1.01	0.10 [02]	0.16 [04]	1.13 [28]	0.84 [21]	
4100 [1935]	1.00	1.01	1.01	0.10 [03]	0.17 [04]	1.19 [30]	0.88 [22]	
4200 [1982]	1.01	1.02	1.01	0.11 [03]	0.19 [05]	1.24 [31]	0.92 [23]	
4300 [2029]	1.01	1.03	1.01	0.11 [03]	0.20 [05]	1.31 [33]	0.97 [24]	
4400 [2076]	1.02	1.05	1.02	0.12 [03]	0.21 [05]	1.37 [34]	1.02 [25]	
4500 [2123]	1.02	1.06	1.02	0.13 [03]	0.23 [06]	1.43 [35]	1.07 [27]	
4600 [2171]	1.03	1.07	1.02	0.13 [03]	0.24 [06]	1.48 [37]	1.11 [28]	
4700 [2218]	1.03	1.08	1.03	0.14 [03]	0.26 [06]	1.54 [38]	1.15 [29]	
4800 [2265]	1.04	1.09	1.03	0.14 [04]	0.28 [07]	1.59 [40]	1.19 [30]	

*Multiply correction factor times gross performance data resulting sensible capacity cannot exceed total capacity.

[] Designates Metric Conversions





Air

Airflow Performance
RHPD Series**AIRFLOW PERFORMANCE— 10 TON [35.1 kW] — 60 Hz — SIDEFLOW (con't.)**

Airflow	AIRFLOW CORRECTION FACTORS *			COMPONENT AIRFLOW RESISTANCE				
	CFM [L/s]	Total MBH	Sensible MBH	Power kW	Wet Coil	Horizontal Economizer RA Damper Open	Concentric Diffuser RXRN-AED3415 & Diffuser RXMC-DD02 (Flush)	Concentric Diffuser RXRN-AED3415 & Diffuser RXMC-DD02 (Drop)
					Resistance — Inches of Water [kPa]			
3200 [1510]	0.96	0.91	0.98	0.98	0.07 [.02]	0.74 [.18]	0.56 [.14]	
3300 [1557]	0.97	0.92	0.99	0.99	0.07 [.02]	0.79 [.20]	0.59 [.15]	
3400 [1604]	0.97	0.93	0.99	0.99	0.07 [.02]	0.84 [.21]	0.62 [.15]	
3500 [1652]	0.98	0.94	0.99	0.99	0.08 [.02]	0.90 [.22]	0.66 [.16]	
3600 [1699]	0.98	0.95	0.99	0.99	0.08 [.02]	0.95 [.24]	0.69 [.17]	
3700 [1746]	0.99	0.97	1.00	1.00	0.09 [.02]	1.00 [.25]	0.73 [.18]	
3800 [1793]	0.99	0.98	1.00	1.00	0.09 [.02]	1.04 [.26]	0.76 [.19]	
3900 [1840]	1.00	0.99	1.00	1.00	0.09 [.02]	1.09 [.27]	0.80 [.20]	
4000 [1888]	1.00	1.00	1.01	1.01	0.10 [.02]	1.13 [.28]	0.84 [.21]	
4100 [1935]	1.00	1.01	1.01	1.01	0.10 [.03]	1.19 [.30]	0.88 [.22]	
4200 [1982]	1.01	1.02	1.01	1.01	0.11 [.03]	1.24 [.31]	0.92 [.23]	
4300 [2029]	1.01	1.03	1.01	1.01	0.11 [.03]	1.31 [.33]	0.97 [.24]	
4400 [2076]	1.02	1.05	1.02	1.02	0.12 [.03]	1.37 [.34]	1.02 [.25]	
4500 [2123]	1.02	1.06	1.02	1.02	0.13 [.03]	1.43 [.35]	1.07 [.27]	
4600 [2171]	1.03	1.07	1.02	1.02	0.13 [.03]	1.48 [.37]	1.11 [.28]	
4700 [2218]	1.03	1.08	1.03	1.03	0.14 [.03]	1.54 [.38]	1.15 [.29]	
4800 [2265]	1.04	1.09	1.03	1.03	0.14 [.04]	1.59 [.40]	1.19 [.30]	

*Multiply correction factor times gross performance data resulting sensible capacity cannot exceed total capacity.

[] Designates Metric Conversions

ELECTRICAL DATA – RHPDZR SERIES										
		090ACA	090ACB	090ACC	090ADA	090ADB	090ADC	090AYA	090AYB	090AYC
Unit Information	Unit Operating Voltage Range	187-253	187-253	187-253	414-506	414-506	414-506	517-632	517-632	517-632
	Volts	208/230	208/230	208/230	460	460	460	575	575	575
	Phase	3	3	3	3	3	3	3	3	3
	Hz	60	60	60	60	60	60	60	60	60
	Minimum Circuit Ampacity	43	46	46	23	24	24	17	18	18
	Minimum Overcurrent Protection Device Size	50	60	60	30	30	30	20	25	25
	Maximum Overcurrent Protection Device Size	60	70	70	35	35	35	25	25	25
Compressor Motor	No.	1	1	1	1	1	1	1	1	1
	Volts	200/230	200/230	200/230	460	460	460	575	575	575
	Phase	3	3	3	3	3	3	3	3	3
	RPM	3450	3450	3450	3450	3450	3450	3450	3450	3450
	HP, Compressor 1	7	7	7	7	7	7	7	7	7
	Amps (RLA), Comp. 1	25	25	25	12.8	12.8	12.8	9.6	9.6	9.6
	Amps (LRA), Comp. 1	164	164	164	100	100	100	78	78	78
	HP, Compressor 2									
	Amps (RLA), Comp. 2									
Amps (LRA), Comp. 2										
Condenser Motor	No.	2	2	2	2	2	2	2	2	2
	Volts	208/230	208/230	208/230	460	460	460	575	575	575
	Phase	1	1	1	1	1	1	1	1	1
	HP	1/2	1/2	1/2	1/2	1/2	1/2	1/2	1/2	1/2
	Amps (FLA, each)	2.5	2.5	2.5	1.5	1.5	1.5	1.1	1.1	1.1
	Amps (LRA, each)	5.6	5.6	5.6	3.1	3.1	3.1	1.5	1.5	1.5
Evaporator Fan	No.	1	1	1	1	1	1	1	1	1
	Volts	208/230	208/230	208/230	460	460	460	575	575	575
	Phase	3	3	3	3	3	3	3	3	3
	HP	2	3	3	2	3	3	2	3	3
	Amps (FLA, each)	6.6	9.1	9.1	3.2	4.6	4.6	2.5	3.5	3.5
	Amps (LRA, each)	45	74.5	74.5	45	38.1	38.1	19	20	20

ELECTRICAL DATA – RHPDZR SERIES

		102ACA	102ACB	102ACC	102ADA	102ADB	102ADC	102AYA	102AYB	102AYC
Unit Information	Unit Operating Voltage Range	187-253	187-253	187-253	414-506	414-506	414-506	517-632	517-632	517-632
	Volts	208/230	208/230	208/230	460	460	460	575	575	575
	Phase	3	3	3	3	3	3	3	3	3
	Hz	60	60	60	60	60	60	60	60	60
	Minimum Circuit Ampacity	47	49	52	23	24	25	17	18	18
	Minimum Overcurrent Protection Device Size	60	60	60	30	30	30	20	25	25
	Maximum Overcurrent Protection Device Size	70	70	70	35	35	35	25	25	25
Compressor Motor	No.	1	1	1	1	1	1	1	1	1
	Volts	200/230	200/230	200/230	460	460	460	575	575	575
	Phase	3	3	3	3	3	3	3	3	3
	RPM	3450	3450	3450	3450	3450	3450	3450	3450	3450
	HP, Compressor 1	7 1/2	7 1/2	7 1/2	7 1/2	7 1/2	7 1/2	7 1/2	7 1/2	7 1/2
	Amps (RLA), Comp. 1	27.6	27.6	27.6	12.8	12.8	12.8	9.6	9.6	9.6
	Amps (LRA), Comp. 1	191	191	191	100	100	100	78	78	78
	HP, Compressor 2									
	Amps (RLA), Comp. 2									
Amps (LRA), Comp. 2										
Condenser Motor	No.	2	2	2	2	2	2	2	2	2
	Volts	208/230	208/230	208/230	460	460	460	575	575	575
	Phase	1	1	1	1	1	1	1	1	1
	HP	1/2	1/2	1/2	1/2	1/2	1/2	1/2	1/2	1/2
	Amps (FLA, each)	2.5	2.5	2.5	1.5	1.5	1.5	1.1	1.1	1.1
	Amps (LRA, each)	5.6	5.6	5.6	3.1	3.1	3.1	1.5	1.5	1.5
Evaporator Fan	No.	1	1	1	1	1	1	1	1	1
	Volts	208/230	208/230	208/230	460	460	460	575	575	575
	Phase	3	3	3	3	3	3	3	3	3
	HP	2	3	3	2	3	3	2	3	3
	Amps (FLA, each)	7	8.9	12	3.5	4.4	6	2.5	3.5	3.5
	Amps (LRA, each)	45	74.5	74.5	22.5	38.1	38.1	19	20	20

ELECTRICAL DATA – RHPDZR SERIES

		120ACA	120ACB	120ACC	120ADA	120ADB	120ADC	120AYA	120AYB	120AYC
Unit Information	Unit Operating Voltage Range	187-253	187-253	187-253	414-506	414-506	414-506	517-632	517-632	517-632
	Volts	208/230	208/230	208/230	460	460	460	575	575	575
	Phase	3	3	3	3	3	3	3	3	3
	Hz	60	60	60	60	60	60	60	60	60
	Minimum Circuit Ampacity	48	51	53	26	27	28	19	20	20
	Minimum Overcurrent Protection Device Size	60	60	60	30	35	35	25	25	25
	Maximum Overcurrent Protection Device Size	70	70	80	40	40	40	30	30	30
Compressor Motor	No.	1	1	1	1	1	1	1	1	1
	Volts	200/230	200/230	200/230	460	460	460	575	575	575
	Phase	3	3	3	3	3	3	3	3	3
	RPM	3450	3450	3450	3450	3450	3450	3450	3450	3450
	HP, Compressor 1	10	10	10	10	10	10	10	10	10
	Amps (RLA), Comp. 1	28.2	28.2	28.2	14.7	14.7	14.7	11.3	11.3	11.3
	Amps (LRA), Comp. 1	239	239	239	130	130	130	93.7	93.7	93.7
	HP, Compressor 2									
	Amps (RLA), Comp. 2									
Amps (LRA), Comp. 2										
Condenser Motor	No.	2	2	2	2	2	2	2	2	2
	Volts	208/230	208/230	208/230	460	460	460	575	575	575
	Phase	1	1	1	1	1	1	1	1	1
	HP	1/2	1/2	1/2	1/2	1/2	1/2	1/2	1/2	1/2
	Amps (FLA, each)	2.5	2.5	2.5	1.5	1.5	1.5	1.1	1.1	1.1
	Amps (LRA, each)	5.6	5.6	5.6	3.1	3.1	3.1	1.5	1.5	1.5
Evaporator Fan	No.	1	1	1	1	1	1	1	1	1
	Volts	208/230	208/230	208/230	460	460	460	575	575	575
	Phase	3	3	3	3	3	3	3	3	3
	HP	2	3	3	2	3	3	2	3	3
	Amps (FLA, each)	7.7	10.4	12	3.9	5.2	6	2.5	3.5	3.5
	Amps (LRA, each)	45	74.5	74.5	23.5	38.1	38.1	19	20	20

ELECTRICAL DATA – RHPDZS SERIES

		090ACA							
Unit Information	Unit Operating Voltage Range	187-253							
	Volts	208/230							
	Phase	3							
	Hz	60							
	Minimum Circuit Ampacity	44							
	Minimum Overcurrent Protection Device Size	50							
	Maximum Overcurrent Protection Device Size	60							
Compressor Motor	No.	1							
	Volts	200/230							
	Phase	3							
	RPM	3450							
	HP, Compressor 1	7							
	Amps (RLA), Comp. 1	25.3							
	Amps (LRA), Comp. 1	184							
	HP, Compressor 2								
	Amps (RLA), Comp. 2								
	Amps (LRA), Comp. 2								
Condenser Motor	No.	2							
	Volts	208/230							
	Phase	1							
	HP	1/2							
	Amps (FLA, each)	2.5							
	Amps (LRA, each)	5.6							
Evaporator Fan	No.	1							
	Volts	208/230							
	Phase	3							
	HP	2							
	Amps (FLA, each)	6.6							
	Amps (LRA, each)	45							

ELECTRICAL DATA – RHPDZS SERIES

		090ACB	090ACC	090ACF	090ACG	090ACH	090ADA	090ADB	090ADC	090ADF
Unit Information	Unit Operating Voltage Range	187-253	187-253	187-253	187-253	187-253	414-506	414-506	414-506	414-506
	Volts	208/230	208/230	208/230	208/230	208/230	460	460	460	460
	Phase	3	3	3	3	3	3	3	3	3
	Hz	60	60	60	60	60	60	60	60	60
	Minimum Circuit Ampacity	46	46	44	46	46	19	20	20	19
	Minimum Overcurrent Protection Device Size	60	60	50	60	60	25	25	25	25
	Maximum Overcurrent Protection Device Size	70	70	60	70	70	25	25	25	25
Compressor Motor	No.	1	1	1	1	1	1	1	1	1
	Volts	200/230	200/230	200/230	200/230	200/230	460	460	460	460
	Phase	3	3	3	3	3	3	3	3	3
	RPM	3450	3450	3450	3450	3450	3450	3450	3450	3450
	HP, Compressor 1	7	7	7	7	7	7	7	7	7
	Amps (RLA), Comp. 1	25.3	25.3	25.3	25.3	25.3	9.6	9.6	9.6	9.6
	Amps (LRA), Comp. 1	184	184	184	184	184	84	84	84	84
	HP, Compressor 2									
	Amps (RLA), Comp. 2									
Amps (LRA), Comp. 2										
Condenser Motor	No.	2	2	2	2	2	2	2	2	2
	Volts	208/230	208/230	208/230	208/230	208/230	460	460	460	460
	Phase	1	1	1	1	1	1	1	1	1
	HP	1/2	1/2	1/2	1/2	1/2	1/2	1/2	1/2	1/2
	Amps (FLA, each)	2.5	2.5	2.5	2.5	2.5	1.5	1.5	1.5	1.5
	Amps (LRA, each)	5.6	5.6	5.6	5.6	5.6	3.1	3.1	3.1	3.1
Evaporator Fan	No.	1	1	1	1	1	1	1	1	1
	Volts	208/230	208/230	208/230	208/230	208/230	460	460	460	460
	Phase	3	3	3	3	3	3	3	3	3
	HP	3	3	2	3	3	2	3	3	2
	Amps (FLA, each)	9.1	9.1	6.6	9.1	9.1	3.2	4.6	4.6	3.2
	Amps (LRA, each)	74.5	74.5	45	74.5	74.5	45	38.1	38.1	45

ELECTRICAL DATA – RHPDZS SERIES

		090ADG	090ADH	090AYA	090AYB	090AYC	102ACA
Unit Information	Unit Operating Voltage Range	414-506	414-506	517-632	517-632	517-632	187-253
	Volts	460	460	575	575	575	208/230
	Phase	3	3	3	3	3	3
	Hz	60	60	60	60	60	60
	Minimum Circuit Ampacity	20	20	14	15	15	48
	Minimum Overcurrent Protection Device Size	25	25	20	20	20	60
	Maximum Overcurrent Protection Device Size	25	25	20	20	20	70
Compressor Motor	No.	1	1	1	1	1	1
	Volts	460	460	575	575	575	200/230
	Phase	3	3	3	3	3	3
	RPM	3450	3450	3450	3450	3450	3450
	HP, Compressor 1	7	7	7	7	7	7 1/2
	Amps (RLA), Comp. 1	9.6	9.6	7.1	7.1	7.1	28.8
	Amps (LRA), Comp. 1	84	84	60	60	60	191
	HP, Compressor 2						
	Amps (RLA), Comp. 2						
Amps (LRA), Comp. 2							
Condenser Motor	No.	2	2	2	2	2	2
	Volts	460	460	575	575	575	208/230
	Phase	1	1	1	1	1	1
	HP	1/2	1/2	1/2	1/2	1/2	1/2
	Amps (FLA, each)	1.5	1.5	1.1	1.1	1.1	2.5
	Amps (LRA, each)	3.1	3.1	1.5	1.5	1.5	5.6
Evaporator Fan	No.	1	1	1	1	1	1
	Volts	460	460	575	575	575	208/230
	Phase	3	3	3	3	3	3
	HP	3	3	2	3	3	2
	Amps (FLA, each)	4.6	4.6	2.5	3.5	3.5	7
	Amps (LRA, each)	38.1	38.1	19	20	20	45

ELECTRICAL DATA – RHPDZS SERIES

		102ACB	102ACC	102ACF	102ACG	102ACH	102ADA	102ADB	102ADC	102ADF
Unit Information	Unit Operating Voltage Range	187-253	187-253	187-253	187-253	187-253	414-506	414-506	414-506	414-506
	Volts	208/230	208/230	208/230	208/230	208/230	460	460	460	460
	Phase	3	3	3	3	3	3	3	3	3
	Hz	60	60	60	60	60	60	60	60	60
	Minimum Circuit Ampacity	50	53	48	50	53	23	24	25	23
	Minimum Overcurrent Protection Device Size	60	70	60	60	70	30	30	30	30
	Maximum Overcurrent Protection Device Size	70	80	70	70	80	30	35	35	30
Compressor Motor	No.	1	1	1	1	1	1	1	1	1
	Volts	200/230	200/230	200/230	200/230	200/230	460	460	460	460
	Phase	3	3	3	3	3	3	3	3	3
	RPM	3450	3450	3450	3450	3450	3450	3450	3450	3450
	HP, Compressor 1	7 1/2	7 1/2	7 1/2	7 1/2	7 1/2	7 1/2	7 1/2	7 1/2	7 1/2
	Amps (RLA), Comp. 1	28.8	28.8	28.8	28.8	28.8	12.5	12.5	12.5	12.5
	Amps (LRA), Comp. 1	191	191	191	191	191	100	100	100	100
	HP, Compressor 2									
	Amps (RLA), Comp. 2									
Amps (LRA), Comp. 2										
Condenser Motor	No.	2	2	2	2	2	2	2	2	2
	Volts	208/230	208/230	208/230	208/230	208/230	460	460	460	460
	Phase	1	1	1	1	1	1	1	1	1
	HP	1/2	1/2	1/2	1/2	1/2	1/2	1/2	1/2	1/2
	Amps (FLA, each)	2.5	2.5	2.5	2.5	2.5	1.5	1.5	1.5	1.5
	Amps (LRA, each)	5.6	5.6	5.6	5.6	5.6	3.1	3.1	3.1	3.1
Evaporator Fan	No.	1	1	1	1	1	1	1	1	1
	Volts	208/230	208/230	208/230	208/230	208/230	460	460	460	460
	Phase	3	3	3	3	3	3	3	3	3
	HP	3	3	2	3	3	2	3	3	2
	Amps (FLA, each)	8.9	12	7	8.9	12	3.5	4.4	6	3.5
	Amps (LRA, each)	74.5	74.5	45	74.5	74.5	22.5	38.1	38.1	22.5

ELECTRICAL DATA – RHPDZS SERIES

		102ADG	102ADH	102AYA	102AYB	102AYC	120ACA
Unit Information	Unit Operating Voltage Range	414-506	414-506	517-632	517-632	517-632	187-253
	Volts	460	460	575	575	575	208/230
	Phase	3	3	3	3	3	3
	Hz	60	60	60	60	60	60
	Minimum Circuit Ampacity	24	25	17	18	18	54
	Minimum Overcurrent Protection Device Size	30	30	20	25	25	70
	Maximum Overcurrent Protection Device Size	35	35	25	25	25	80
Compressor Motor	No.	1	1	1	1	1	1
	Volts	460	460	575	575	575	200/230
	Phase	3	3	3	3	3	3
	RPM	3450	3450	3450	3450	3450	3450
	HP, Compressor 1	7 1/2	7 1/2	7 1/2	7 1/2	7 1/2	10
	Amps (RLA), Comp. 1	12.5	12.5	9.7	9.7	9.7	32.6
	Amps (LRA), Comp. 1	100	100	70	70	70	240
	HP, Compressor 2						
	Amps (RLA), Comp. 2						
Amps (LRA), Comp. 2							
Condenser Motor	No.	2	2	2	2	2	2
	Volts	460	460	575	575	575	208/230
	Phase	1	1	1	1	1	1
	HP	1/2	1/2	1/2	1/2	1/2	1/2
	Amps (FLA, each)	1.5	1.5	1.1	1.1	1.1	2.5
	Amps (LRA, each)	3.1	3.1	1.5	1.5	1.5	5.6
Evaporator Fan	No.	1	1	1	1	1	1
	Volts	460	460	575	575	575	208/230
	Phase	3	3	3	3	3	3
	HP	3	3	2	3	3	2
	Amps (FLA, each)	4.4	6	2.5	3.5	3.5	7.7
	Amps (LRA, each)	38.1	38.1	19	20	20	45

ELECTRICAL DATA – RHPDZS SERIES

		120ACB	120ACC	120ACF	120ACG	120ACH	120ADA	120ADB	120ADC	120ADF
Unit Information	Unit Operating Voltage Range	187-253	187-253	187-253	187-253	187-253	414-506	414-506	414-506	414-506
	Volts	208/230	208/230	208/230	208/230	208/230	460	460	460	460
	Phase	3	3	3	3	3	3	3	3	3
	Hz	60	60	60	60	60	60	60	60	60
	Minimum Circuit Ampacity	57	58	54	57	58	26	27	28	26
	Minimum Overcurrent Protection Device Size	70	70	70	70	70	30	35	35	30
	Maximum Overcurrent Protection Device Size	80	90	80	80	90	40	40	40	40
Compressor Motor	No.	1	1	1	1	1	1	1	1	1
	Volts	200/230	200/230	200/230	200/230	200/230	460	460	460	460
	Phase	3	3	3	3	3	3	3	3	3
	RPM	3450	3450	3450	3450	3450	3450	3450	3450	3450
	HP, Compressor 1	10	10	10	10	10	10	10	10	10
	Amps (RLA), Comp. 1	32.6	32.6	32.6	32.6	32.6	14.8	14.8	14.8	14.8
	Amps (LRA), Comp. 1	240	240	240	240	240	130	130	130	130
	HP, Compressor 2									
	Amps (RLA), Comp. 2									
Amps (LRA), Comp. 2										
Condenser Motor	No.	2	2	2	2	2	2	2	2	2
	Volts	208/230	208/230	208/230	208/230	208/230	460	460	460	460
	Phase	1	1	1	1	1	1	1	1	1
	HP	1/2	1/2	1/2	1/2	1/2	1/2	1/2	1/2	1/2
	Amps (FLA, each)	2.5	2.5	2.5	2.5	2.5	1.5	1.5	1.5	1.5
	Amps (LRA, each)	5.6	5.6	5.6	5.6	5.6	3.1	3.1	3.1	3.1
Evaporator Fan	No.	1	1	1	1	1	1	1	1	1
	Volts	208/230	208/230	208/230	208/230	208/230	460	460	460	460
	Phase	3	3	3	3	3	3	3	3	3
	HP	3	3	2	3	3	2	3	3	2
	Amps (FLA, each)	10.4	12	7.7	10.4	12	3.9	5.2	6	3.9
	Amps (LRA, each)	74.5	74.5	45	74.5	74.5	23.5	38.1	38.1	23.5

ELECTRICAL DATA – RHPDZS SERIES

		120ADG	120ADH	120AYA	120AYB	120AYC
Unit Information	Unit Operating Voltage Range	414-506	414-506	517-632	517-632	517-632
	Volts	460	460	575	575	575
	Phase	3	3	3	3	3
	Hz	60	60	60	60	60
	Minimum Circuit Ampacity	27	28	19	20	20
	Minimum Overcurrent Protection Device Size	35	35	25	25	25
	Maximum Overcurrent Protection Device Size	40	40	25	30	30
Compressor Motor	No.	1	1	1	1	1
	Volts	460	460	575	575	575
	Phase	3	3	3	3	3
	RPM	3450	3450	3450	3450	3450
	HP, Compressor 1	10	10	10	10	10
	Amps (RLA), Comp. 1	14.8	14.8	11.1	11.1	11.1
	Amps (LRA), Comp. 1	130	130	93.7	93.7	93.7
	HP, Compressor 2					
	Amps (RLA), Comp. 2					
Amps (LRA), Comp. 2						
Condenser Motor	No.	2	2	2	2	2
	Volts	460	460	575	575	575
	Phase	1	1	1	1	1
	HP	1/2	1/2	1/2	1/2	1/2
	Amps (FLA, each)	1.5	1.5	1.1	1.1	1.1
	Amps (LRA, each)	3.1	3.1	1.5	1.5	1.5
Evaporator Fan	No.	1	1	1	1	1
	Volts	460	460	575	575	575
	Phase	3	3	3	3	3
	HP	3	3	2	3	3
	Amps (FLA, each)	5.2	6	2.5	3.5	3.5
	Amps (LRA, each)	38.1	38.1	19	20	20

ELECTRICAL DATA – RHPDZT SERIES							
		090ACF	090ACG	090ACH	090ADF	090ADG	090ADH
Unit Information	Unit Operating Voltage Range	187-253	187-253	187-253	414-506	414-506	414-506
	Volts	208/230	208/230	208/230	460	460	460
	Phase	3	3	3	3	3	3
	Hz	60	60	60	60	60	60
	Minimum Circuit Ampacity	44	46	46	19	20	20
	Minimum Overcurrent Protection Device Size	50	60	60	25	25	25
	Maximum Overcurrent Protection Device Size	60	70	70	25	25	25
Compressor Motor	No.	1	1	1	1	1	1
	Volts	200/230	200/230	200/230	460	460	460
	Phase	3	3	3	3	3	3
	RPM	3450	3450	3450	3450	3450	3450
	HP, Compressor 1	7	7	7	7	7	7
	Amps (RLA), Comp. 1	25.3	25.3	25.3	9.6	9.6	9.6
	Amps (LRA), Comp. 1	184	184	184	84	84	84
	HP, Compressor 2						
	Amps (RLA), Comp. 2						
Amps (LRA), Comp. 2							
Condenser Motor	No.	2	2	2	2	2	2
	Volts	208/230	208/230	208/230	460	460	460
	Phase	1	1	1	1	1	1
	HP	1/2	1/2	1/2	1/2	1/2	1/2
	Amps (FLA, each)	2.5	2.5	2.5	1.5	1.5	1.5
	Amps (LRA, each)	5.6	5.6	5.6	3.1	3.1	3.1
Evaporator Fan	No.	1	1	1	1	1	1
	Volts	208/230	208/230	208/230	460	460	460
	Phase	3	3	3	3	3	3
	HP	2	3	3	2	3	3
	Amps (FLA, each)	6.6	9.1	9.1	3.2	4.6	4.6
	Amps (LRA, each)	45	74.5	74.5	45	38.1	38.1

ELECTRICAL DATA – RHPDZT SERIES

		102ACF	102ACG	102ACH	102ADF	102ADG	102ADH
Unit Information	Unit Operating Voltage Range	187-253	187-253	187-253	414-506	414-506	414-506
	Volts	208/230	208/230	208/230	460	460	460
	Phase	3	3	3	3	3	3
	Hz	60	60	60	60	60	60
	Minimum Circuit Ampacity	48	50	53	23	24	25
	Minimum Overcurrent Protection Device Size	60	60	70	30	30	30
	Maximum Overcurrent Protection Device Size	70	70	80	30	35	35
Compressor Motor	No.	1	1	1	1	1	1
	Volts	200/230	200/230	200/230	460	460	460
	Phase	3	3	3	3	3	3
	RPM	3450	3450	3450	3450	3450	3450
	HP, Compressor 1	7 1/2	7 1/2	7 1/2	7 1/2	7 1/2	7 1/2
	Amps (RLA), Comp. 1	28.8	28.8	28.8	12.5	12.5	12.5
	Amps (LRA), Comp. 1	191	191	191	100	100	100
	HP, Compressor 2						
	Amps (RLA), Comp. 2						
Amps (LRA), Comp. 2							
Condenser Motor	No.	2	2	2	2	2	2
	Volts	208/230	208/230	208/230	460	460	460
	Phase	1	1	1	1	1	1
	HP	1/2	1/2	1/2	1/2	1/2	1/2
	Amps (FLA, each)	2.5	2.5	2.5	1.5	1.5	1.5
	Amps (LRA, each)	5.6	5.6	5.6	3.1	3.1	3.1
Evaporator Fan	No.	1	1	1	1	1	1
	Volts	208/230	208/230	208/230	460	460	460
	Phase	3	3	3	3	3	3
	HP	2	3	3	2	3	3
	Amps (FLA, each)	7	8.9	12	3.5	4.4	6
	Amps (LRA, each)	45	74.5	74.5	22.5	38.1	38.1

ELECTRICAL DATA – RHPDZT SERIES

		120ACF	120ACG	120ACH	120ADF	120ADG	120ADH
Unit Information	Unit Operating Voltage Range	187-253	187-253	187-253	414-506	414-506	414-506
	Volts	20/208	208/230	208/230	460	460	460
	Phase	3	3	3	3	3	3
	Hz	60	60	60	60	60	60
	Minimum Circuit Ampacity	54	57	58	26	27	28
	Minimum Overcurrent Protection Device Size	70	70	70	30	35	35
	Maximum Overcurrent Protection Device Size	80	80	90	40	40	40
Compressor Motor	No.	1	1	1	1	1	1
	Volts	200/230	200/230	200/230	460	460	460
	Phase	3	3	3	3	3	3
	RPM	3450	3450	3450	3450	3450	3450
	HP, Compressor 1	10	10	10	10	10	10
	Amps (RLA), Comp. 1	32.6	32.6	32.6	14.8	14.8	14.8
	Amps (LRA), Comp. 1	240	240	240	130	130	130
	HP, Compressor 2						
	Amps (RLA), Comp. 2						
Amps (LRA), Comp. 2							
Condenser Motor	No.	2	2	2	2	2	2
	Volts	208/230	208/230	208/230	460	460	460
	Phase	1	1	1	1	1	1
	HP	1/2	1/2	1/2	1/2	1/2	1/2
	Amps (FLA, each)	2.5	2.5	2.5	1.5	1.5	1.5
	Amps (LRA, each)	5.6	5.6	5.6	3.1	3.1	3.1
Evaporator Fan	No.	1	1	1	1	1	1
	Volts	208/230	208/230	208/230	460	460	460
	Phase	3	3	3	3	3	3
	HP	2	3	3	2	3	3
	Amps (FLA, each)	7.7	10.4	12	3.9	5.2	6
	Amps (LRA, each)	45	74.5	74.5	23.5	38.1	38.1



208/240 VOLT, THREE PHASE, 60 HZ, AUXILIARY ELECTRIC HEATER KITS CHARACTERISTICS AND APPLICATION

Unit Model No. RHPDZ-	Single Power Supply for Both Unit and Heater Kit							Separate Power Supply for Both Unit and Heater Kit							
	Heater Kit				Heat Pump			Heater Kit				Heat Pump			
	RXJJ-Heater Kit Nominal kW	No. of Sequence Steps	Rated Heater kW @ 208/240 V	Heater KBTU/Hr @ 208/240 V	Heater Amp. @ 208/240 V	Unit Min. Ckt. Ampacity @ 208-240 V	Over Current Protective Device Size Min./Max. @ 208 V	Min. Ckt. Ampacity 208/240 V	Max. Fuse Size 208/240 V	Min. Ckt. Ampacity 208/240 V	Over Current Protective Device Size Min./Max. @ 240 V	Min. Ckt. Ampacity 208/240 V	Max. Fuse Size 208/240 V	Min. Ckt. Ampacity 208/240 V	Over Current Protective Device Size Min./Max. @ 240 V
RHPDZR090ACA	No Heat	—	—	—	—	43/43	50/60	—	—	43/43	50/60	—	—	43/43	50/60
	DD10CP	1	7.4/9.9	25.25/33.78	20.6/23.8	69/73	80/80	80/80	26/30	30/30	43/43	30/30	43/43	43/43	50/60
	DD15CP	1	10.8/14.4	36.85/49.13	30.0/34.6	81/87	90/90	90/100	38/44	40/45	43/43	40/45	43/43	43/43	50/60
	DD20CP	2	14.9/19.8	50.84/67.56	41.3/47.6	95/103	100/100	110/110	52/60	60/60	43/43	60/60	43/43	43/43	50/60
	DD30CP	2	21.6/28.8	73.70/98.27	60.0/69.3	118/130	125/125	150/150	75/87	80/90	43/43	80/90	75/87	43/43	50/60
DD40CP	2	29.7/39.6	101.34/135.12	82.5/95.2	146/162	150/150	175/175	104/119	110/125	43/43	110/125	104/119	43/43	50/60	
RHPDZR090ACB	No Heat	—	—	—	—	46/46	60/70	60/70	—	—	46/46	—	—	60/70	60/70
	DD10CP	1	7.4/9.9	25.25/33.78	20.6/23.8	72/76	80/90	80/90	26/30	30/30	46/46	30/30	46/46	46/46	60/70
	DD15CP	1	10.8/14.4	36.85/49.13	30.0/34.6	83/89	90/100	100/100	38/44	40/45	46/46	40/45	46/46	46/46	60/70
	DD20CP	2	14.9/19.8	50.84/67.56	41.3/47.6	97/105	110/110	110/110	52/60	60/60	46/46	60/60	46/46	46/46	60/70
	DD30CP	2	21.6/28.8	73.70/98.27	60.0/69.3	121/132	125/125	150/150	75/87	80/90	46/46	80/90	75/87	46/46	60/70
DD40CP	2	29.7/39.6	101.34/135.12	82.5/95.2	149/165	175/175	175/175	104/119	110/125	46/46	110/125	104/119	46/46	60/70	
RHPDZR102ACC	No Heat	—	—	—	—	46/46	60/70	60/70	—	—	46/46	—	—	60/70	60/70
	DD10CP	1	7.4/9.9	25.25/33.78	20.6/23.8	72/76	80/90	80/90	26/30	30/30	46/46	30/30	46/46	46/46	60/70
	DD15CP	1	10.8/14.4	36.85/49.13	30.0/34.6	83/89	90/100	100/100	38/44	40/45	46/46	40/45	46/46	46/46	60/70
	DD20CP	2	14.9/19.8	50.84/67.56	41.3/47.6	97/105	110/110	110/110	52/60	60/60	46/46	60/60	46/46	46/46	60/70
	DD30CP	2	21.6/28.8	73.70/98.27	60.0/69.3	121/132	125/125	150/150	75/87	80/90	46/46	80/90	75/87	46/46	60/70
DD40CP	2	29.7/39.6	101.34/135.12	82.5/95.2	149/165	175/175	175/175	104/119	110/125	46/46	110/125	104/119	46/46	60/70	
RHPDZR102ACA	No Heat	—	—	—	—	47/47	60/70	60/70	—	—	47/47	—	—	60/70	60/70
	DD10CP	1	7.4/9.9	25.25/33.78	20.6/23.8	73/77	80/90	80/90	26/30	30/30	47/47	30/30	47/47	47/47	60/70
	DD15CP	1	10.8/14.4	36.85/49.13	30.0/34.6	84/90	90/100	100/100	38/44	40/45	47/47	40/45	47/47	47/47	60/70
	DD20CP	2	14.9/19.8	50.84/67.56	41.3/47.6	99/106	110/110	110/110	52/60	60/60	47/47	60/60	47/47	47/47	60/70
	DD30CP	2	21.6/28.8	73.70/98.27	60.0/69.3	122/134	125/125	150/150	75/87	80/90	47/47	80/90	75/87	47/47	60/70
DD40CP	2	29.7/39.6	101.34/135.12	82.5/95.2	150/166	175/175	175/175	104/119	110/125	47/47	110/125	104/119	47/47	60/70	
RHPDZR102ACB	No Heat	—	—	—	—	49/49	60/70	60/70	—	—	49/49	—	—	60/70	60/70
	DD10CP	1	7.4/9.9	25.25/33.78	20.6/23.8	75/79	80/90	80/90	26/30	30/30	49/49	30/30	49/49	49/49	60/70
	DD15CP	1	10.8/14.4	36.85/49.13	30.0/34.6	86/92	90/100	100/110	38/44	40/45	49/49	40/45	49/49	49/49	60/70
	DD20CP	2	14.9/19.8	50.84/67.56	41.3/47.6	101/108	110/110	125/125	52/60	60/60	49/49	60/60	49/49	49/49	60/70
	DD30CP	2	21.6/28.8	73.70/98.27	60.0/69.3	124/136	150/150	150/150	75/87	80/90	49/49	80/90	75/87	49/49	60/70
DD40CP	2	29.7/39.6	101.34/135.12	82.5/95.2	152/168	175/175	175/175	104/119	110/125	49/49	110/125	104/119	49/49	60/70	
RHPDZR102ACC	No Heat	—	—	—	—	52/52	60/70	60/70	—	—	52/52	—	—	60/70	60/70
	DD10CP	1	7.4/9.9	25.25/33.78	20.6/23.8	78/82	90/90	90/100	26/30	30/30	52/52	30/30	52/52	52/52	60/70
	DD15CP	1	10.8/14.4	36.85/49.13	30.0/34.6	89/95	100/100	100/110	38/44	40/45	52/52	40/45	52/52	52/52	60/70
	DD20CP	2	14.9/19.8	50.84/67.56	41.3/47.6	104/111	110/110	125/125	52/60	60/60	52/52	60/60	52/60	52/52	60/70
	DD30CP	2	21.6/28.8	73.70/98.27	60.0/69.3	127/139	150/150	150/150	75/87	80/90	52/52	80/90	75/87	52/52	60/70
DD40CP	2	29.7/39.6	101.34/135.12	82.5/95.2	155/171	175/175	175/175	104/119	110/125	52/52	110/125	104/119	52/52	60/70	

* = For Canadian use only. Uses "P" fuses for inductive circuit.
+ = Field installed only.





Air

Electric Heater Kits
RHPD Series**208/240 VOLT, THREE PHASE, 60 Hz, AUXILIARY ELECTRIC HEATER KITS CHARACTERISTICS AND APPLICATION****Single Power Supply for Both Unit and Heater Kit****Separate Power Supply for Both Unit and Heater Kit**

Unit Model No. RHPDZ-	Heater Kit						Heat Pump				Heater Kit			Heat Pump	
	RXJJ-Heater Kit Nominal kW	No. of Sequence Steps	Rated Heater kW @ 208/240 V	Heater KBTU/Hr @ 208/240 V	Heater Amp. @ 208/240 V	Unit Min. Ckt. Ampacity @ 208-240 V	Protective Device Size		Min. Circuit Ampacity 208/240 V	Max. Fuse Size 208/240 V	Min. Circuit Ampacity 208/240 V	Over Current			
							Min./Max. @ 208 V	Min./Max. @ 240 V				Min./Max. @ 208 V	Min./Max. @ 240 V		
RHPDZR120ACA	No Heat	—	—	—	—	48/48	60/70	60/70	—	—	48/48	60/70	60/70		
	DD10CP	1	7.4/9.9	25.25/33.78	20.6/23.8	74/78	80/90	90/90	26/30	30/30	48/48	60/70	60/70		
	DD15CP	1	10.8/14.4	36.85/49.13	30.0/34.6	86/92	90/100	100/110	38/44	40/45	48/48	60/70	60/70		
	DD20CP	2	14.9/19.8	50.84/67.56	41.3/47.6	100/108	110/110	125/125	52/60	60/60	48/48	60/70	60/70		
	DD30CP	2	21.6/28.8	73.70/98.27	60.0/69.3	123/135	150/150	150/150	75/87	80/90	48/48	60/70	60/70		
	DD40CP	2	29.7/39.6	101.34/135.12	82.5/95.2	152/167	175/175	175/175	104/119	110/125	48/48	60/70	60/70		
RHPDZR120ACB	No Heat	—	—	—	—	51/51	60/70	60/70	—	—	51/51	60/70	60/70		
	DD10CP	1	7.4/9.9	25.25/33.78	20.6/23.8	77/81	90/90	90/100	26/30	30/30	51/51	60/70	60/70		
	DD15CP	1	10.8/14.4	36.85/49.13	30.0/34.6	89/94	100/100	100/110	38/44	40/45	51/51	60/70	60/70		
	DD20CP	2	14.9/19.8	50.84/67.56	41.3/47.6	103/111	110/110	125/125	52/60	60/60	51/51	60/70	60/70		
	DD30CP	2	21.6/28.8	73.70/98.27	60.0/69.3	126/138	150/150	150/150	75/87	80/90	51/51	60/70	60/70		
	DD40CP	2	29.7/39.6	101.34/135.12	82.5/95.2	154/170	175/175	175/175	104/119	110/125	51/51	60/70	60/70		
RHPDZR120ACC	No Heat	—	—	—	—	53/53	60/80	60/80	—	—	53/53	60/80	60/80		
	DD10CP	1	7.4/9.9	25.25/33.78	20.6/23.8	78/82	90/100	90/100	26/30	30/30	53/53	60/80	60/80		
	DD15CP	1	10.8/14.4	36.85/49.13	30.0/34.6	90/96	100/110	100/110	38/44	40/45	53/53	60/80	60/80		
	DD20CP	2	14.9/19.8	50.84/67.56	41.3/47.6	104/112	110/110	125/125	52/60	60/60	53/53	60/80	60/80		
	DD30CP	2	21.6/28.8	73.70/98.27	60.0/69.3	128/139	150/150	150/150	75/87	80/90	53/53	60/80	60/80		
	DD40CP	2	29.7/39.6	101.34/135.12	82.5/95.2	156/172	175/175	200/200	104/119	110/125	53/53	60/80	60/80		
RHPDZS090ACA	No Heat	—	—	—	—	44/44	50/60	50/60	—	—	44/44	50/60	50/60		
	DD10CP	1	7.4/9.9	25.25/33.78	20.6/23.8	69/73	80/80	80/90	26/30	30/30	44/44	50/60	50/60		
	DD15CP	1	10.8/14.4	36.85/49.13	30.0/34.6	81/87	90/90	90/100	38/44	40/45	44/44	50/60	50/60		
	DD20CP	2	14.9/19.8	50.84/67.56	41.3/47.6	95/103	100/100	110/110	52/60	60/60	44/44	50/60	50/60		
	DD30CP	2	21.6/28.8	73.70/98.27	60.0/69.3	119/130	125/125	150/150	75/87	80/90	44/44	50/60	50/60		
	DD40CP	2	29.7/39.6	101.34/135.12	82.5/95.2	147/163	150/150	175/175	104/119	110/125	44/44	50/60	50/60		
RHPDZS090ACB	No Heat	—	—	—	—	46/46	60/70	60/70	—	—	46/46	60/70	60/70		
	DD10CP	1	7.4/9.9	25.25/33.78	20.6/23.8	72/76	80/90	80/90	26/30	30/30	46/46	60/70	60/70		
	DD15CP	1	10.8/14.4	36.85/49.13	30.0/34.6	84/89	90/100	100/100	38/44	40/45	46/46	60/70	60/70		
	DD20CP	2	14.9/19.8	50.84/67.56	41.3/47.6	98/106	110/110	110/110	52/60	60/60	46/46	60/70	60/70		
	DD30CP	2	21.6/28.8	73.70/98.27	60.0/69.3	121/133	125/125	150/150	75/87	80/90	46/46	60/70	60/70		
	DD40CP	2	29.7/39.6	101.34/135.12	82.5/95.2	149/165	175/175	175/175	104/119	110/125	46/46	60/70	60/70		
RHPDZS090ACC	No Heat	—	—	—	—	46/46	60/70	60/70	—	—	46/46	60/70	60/70		
	DD10CP	1	7.4/9.9	25.25/33.78	20.6/23.8	72/76	80/90	80/90	26/30	30/30	46/46	60/70	60/70		
	DD15CP	1	10.8/14.4	36.85/49.13	30.0/34.6	84/89	90/100	100/100	38/44	40/45	46/46	60/70	60/70		
	DD20CP	2	14.9/19.8	50.84/67.56	41.3/47.6	98/106	110/110	110/110	52/60	60/60	46/46	60/70	60/70		
	DD30CP	2	21.6/28.8	73.70/98.27	60.0/69.3	121/133	125/125	150/150	75/87	80/90	46/46	60/70	60/70		
	DD40CP	2	29.7/39.6	101.34/135.12	82.5/95.2	149/165	175/175	175/175	104/119	110/125	46/46	60/70	60/70		

* = For Canadian use only. Uses "r" fuses for inductive circuit.

+ = Field installed only.



INTEGRATED AIR & WATER



Air

Electric Heater Kits
RHPD Series**208/240 VOLT, THREE PHASE, 60 HZ, AUXILIARY ELECTRIC HEATER KITS CHARACTERISTICS AND APPLICATION****Single Power Supply for Both Unit and Heater Kit**

Unit Model No. RHPDZ-	Heater Kit						Heat Pump				Heater Kit				Heat Pump		
	RXJJ-Heater Kit Nominal kW	No. of Sequence Steps	Rated Heater kW @ 208/240 V	Heater KBTU/Hr @ 208/240 V	Heater Amp. @ 208/240 V	Unit Min. Ckt. Ampacity @ 208-240 V	Over Current Protective Device Size Min./Max. @ 208 V	Over Current Protective Device Size Min./Max. @ 240 V	Min. Ckt. Ampacity 208/240 V	Max. Fuse Size 208/240 V	Min. Circuit Ampacity 208/240 V	Over Current Protective Device Size Min./Max. @ 208 V	Over Current Protective Device Size Min./Max. @ 240 V	Min. Ckt. Ampacity 208/240 V	Max. Fuse Size 208/240 V	Min. Circuit Ampacity 208/240 V	Over Current Protective Device Size Min./Max. @ 208 V
RHPDZS090ACF	No Heat	—	—	—	—	44/44	50/60	50/60	—	—	44/44	50/60	50/60	—	—	44/44	50/60
	DD10CP	1	7.4/9.9	25.25/33.78	20.6/23.8	69/73	80/80	80/80	26/30	30/30	44/44	50/60	50/60	26/30	30/30	44/44	50/60
	DD15CP	1	10.8/14.4	36.85/49.13	30.0/34.6	81/87	90/90	90/90	38/44	40/45	44/44	50/60	50/60	38/44	40/45	44/44	50/60
	DD20CP	2	14.9/19.8	50.84/67.56	41.3/47.6	95/103	100/100	110/110	52/60	60/60	44/44	50/60	50/60	52/60	60/60	44/44	50/60
	DD30CP	2	21.6/28.8	73.70/98.27	60.0/69.3	119/130	125/125	150/150	75/87	80/90	44/44	50/60	50/60	75/87	80/90	44/44	50/60
	DD40CP	2	29.7/39.6	101.34/135.12	82.5/95.2	147/163	150/150	175/175	104/119	110/125	44/44	50/60	50/60	104/119	110/125	44/44	50/60
RHPDZS090ACG	No Heat	—	—	—	—	46/46	60/70	60/70	—	—	46/46	60/70	60/70	—	—	46/46	60/70
	DD10CP	1	7.4/9.9	25.25/33.78	20.6/23.8	72/76	80/90	80/90	26/30	30/30	46/46	60/70	60/70	26/30	30/30	46/46	60/70
	DD15CP	1	10.8/14.4	36.85/49.13	30.0/34.6	84/89	90/100	100/100	38/44	40/45	46/46	60/70	60/70	38/44	40/45	46/46	60/70
	DD20CP	2	14.9/19.8	50.84/67.56	41.3/47.6	98/106	110/110	110/110	52/60	60/60	46/46	60/70	60/70	52/60	60/60	46/46	60/70
	DD30CP	2	21.6/28.8	73.70/98.27	60.0/69.3	121/133	125/125	150/150	75/87	80/90	46/46	60/70	60/70	75/87	80/90	46/46	60/70
	DD40CP	2	29.7/39.6	101.34/135.12	82.5/95.2	149/165	175/175	175/175	104/119	110/125	46/46	60/70	60/70	104/119	110/125	46/46	60/70
RHPDZS090ACH	No Heat	—	—	—	—	46/46	60/70	60/70	—	—	46/46	60/70	60/70	—	—	46/46	60/70
	DD10CP	1	7.4/9.9	25.25/33.78	20.6/23.8	72/76	80/90	80/90	26/30	30/30	46/46	60/70	60/70	26/30	30/30	46/46	60/70
	DD15CP	1	10.8/14.4	36.85/49.13	30.0/34.6	84/89	90/100	100/100	38/44	40/45	46/46	60/70	60/70	38/44	40/45	46/46	60/70
	DD20CP	2	14.9/19.8	50.84/67.56	41.3/47.6	98/106	110/110	110/110	52/60	60/60	46/46	60/70	60/70	52/60	60/60	46/46	60/70
	DD30CP	2	21.6/28.8	73.70/98.27	60.0/69.3	121/133	125/125	150/150	75/87	80/90	46/46	60/70	60/70	75/87	80/90	46/46	60/70
	DD40CP	2	29.7/39.6	101.34/135.12	82.5/95.2	149/165	175/175	175/175	104/119	110/125	46/46	60/70	60/70	104/119	110/125	46/46	60/70
RHPDZS102ACA	No Heat	—	—	—	—	48/48	60/70	60/70	—	—	48/48	60/70	60/70	—	—	48/48	60/70
	DD10CP	1	7.4/9.9	25.25/33.78	20.6/23.8	74/78	80/90	80/90	26/30	30/30	48/48	60/70	60/70	26/30	30/30	48/48	60/70
	DD15CP	1	10.8/14.4	36.85/49.13	30.0/34.6	86/92	90/100	100/110	38/44	40/45	48/48	60/70	60/70	38/44	40/45	48/48	60/70
	DD20CP	2	14.9/19.8	50.84/67.56	41.3/47.6	100/108	110/110	125/125	52/60	60/60	48/48	60/70	60/70	52/60	60/60	48/48	60/70
	DD30CP	2	21.6/28.8	73.70/98.27	60.0/69.3	123/135	150/150	150/150	75/87	80/90	48/48	60/70	60/70	75/87	80/90	48/48	60/70
	DD40CP	2	29.7/39.6	101.34/135.12	82.5/95.2	152/167	175/175	175/175	104/119	110/125	48/48	60/70	60/70	104/119	110/125	48/48	60/70
RHPDZS102ACB	No Heat	—	—	—	—	50/50	60/70	60/70	—	—	50/50	60/70	60/70	—	—	50/50	60/70
	DD10CP	1	7.4/9.9	25.25/33.78	20.6/23.8	76/80	80/90	90/100	26/30	30/30	50/50	60/70	60/70	26/30	30/30	50/50	60/70
	DD15CP	1	10.8/14.4	36.85/49.13	30.0/34.6	88/94	100/100	100/110	38/44	40/45	50/50	60/70	60/70	38/44	40/45	50/50	60/70
	DD20CP	2	14.9/19.8	50.84/67.56	41.3/47.6	102/110	110/110	125/125	52/60	60/60	50/50	60/70	60/70	52/60	60/60	50/50	60/70
	DD30CP	2	21.6/28.8	73.70/98.27	60.0/69.3	125/137	150/150	150/150	75/87	80/90	50/50	60/70	60/70	75/87	80/90	50/50	60/70
	DD40CP	2	29.7/39.6	101.34/135.12	82.5/95.2	154/169	175/175	175/175	104/119	110/125	50/50	60/70	60/70	104/119	110/125	50/50	60/70
RHPDZS102ACC	No Heat	—	—	—	—	53/53	70/80	70/80	—	—	53/53	70/80	70/80	—	—	53/53	70/80
	DD10CP	1	7.4/9.9	25.25/33.78	20.6/23.8	79/83	90/100	90/100	26/30	30/30	53/53	70/80	70/80	26/30	30/30	53/53	70/80
	DD15CP	1	10.8/14.4	36.85/49.13	30.0/34.6	91/97	100/110	110/110	38/44	40/45	53/53	70/80	70/80	38/44	40/45	53/53	70/80
	DD20CP	2	14.9/19.8	50.84/67.56	41.3/47.6	105/113	110/110	125/125	52/60	60/60	53/53	70/80	70/80	52/60	60/60	53/53	70/80
	DD30CP	2	21.6/28.8	73.70/98.27	60.0/69.3	128/140	150/150	150/150	75/87	80/90	53/53	70/80	70/80	75/87	80/90	53/53	70/80
	DD40CP	2	29.7/39.6	101.34/135.12	82.5/95.2	157/172	175/175	200/200	104/119	110/125	53/53	70/80	70/80	104/119	110/125	53/53	70/80

* = For Canadian use only. Uses "P" fuses for inductive circuit.
+ = Field installed only.



208/240 VOLT, THREE PHASE, 60 Hz, AUXILIARY ELECTRIC HEATER KITS CHARACTERISTICS AND APPLICATION

Single Power Supply for Both Unit and Heater Kit										Separate Power Supply for Both Unit and Heater Kit										
Unit Model No. RHPDZ-	Heater Kit					Heat Pump					Heater Kit					Heat Pump				
	RXJJ-Heater Kit Nominal kW	No. of Sequence Steps	Rated Heater kW @ 208/240 V	Heater KBTU/Hr @ 208/240 V	Heater Amp. @ 208/240 V	Unit Min. Ckt. Ampacity @ 208-240 V	Protective Device Size Min./Max. @ 208 V	Over Current Min./Max. @ 240 V	Min. Circuit Ampacity 208/240 V	Max. Fuse Size 208/240 V	Min. Ckt. Ampacity 208/240 V	Over Current Min./Max. @ 208 V	Protective Device Size Min./Max. @ 240 V	Min. Circuit Ampacity 208/240 V	Max. Fuse Size 208/240 V	Min. Ckt. Ampacity 208/240 V	Over Current Min./Max. @ 208 V	Protective Device Size Min./Max. @ 240 V		
RHPDZS102ACF	No Heat	—	—	—	—	48/48	60/70	60/70	48/48	—	—	60/70	60/70	48/48	—	60/70	60/70			
	DD10CP	1	7.4/9.9	25.25/33.78	20.6/23.8	74/78	80/90	90/100	26/30	30/30	26/30	80/90	90/100	48/48	30/30	48/48	60/70			
	DD15CP	1	10.8/14.4	36.85/49.13	30.0/34.6	86/92	90/100	100/110	38/44	40/45	38/44	100/110	100/110	48/48	40/45	48/48	60/70	60/70		
	DD20CP	2	14.9/19.8	50.84/67.56	41.3/47.6	100/108	110/110	125/125	52/60	60/60	52/60	110/110	125/125	48/48	60/60	60/70	60/70	60/70		
	DD30CP	2	21.6/28.8	73.70/98.27	60.0/69.3	123/135	150/150	150/150	75/87	80/90	75/87	150/150	150/150	48/48	80/90	60/70	60/70	60/70		
DD40CP	2	29.7/39.6	101.34/135.12	82.5/95.2	152/167	175/175	175/175	104/119	110/125	104/119	175/175	175/175	48/48	110/125	60/70	60/70	60/70			
RHPDZS102ACG	No Heat	—	—	—	—	50/50	60/70	60/70	50/50	—	—	60/70	60/70	50/50	—	60/70	60/70			
	DD10CP	1	7.4/9.9	25.25/33.78	20.6/23.8	76/80	80/90	90/100	26/30	30/30	26/30	80/90	90/100	50/50	30/30	50/50	60/70	60/70		
	DD15CP	1	10.8/14.4	36.85/49.13	30.0/34.6	88/94	100/100	100/110	38/44	40/45	38/44	100/100	100/110	50/50	40/45	50/50	60/70	60/70		
	DD20CP	2	14.9/19.8	50.84/67.56	41.3/47.6	102/110	110/110	125/125	52/60	60/60	52/60	110/110	125/125	60/60	60/60	60/70	60/70	60/70		
	DD30CP	2	21.6/28.8	73.70/98.27	60.0/69.3	125/137	150/150	150/150	75/87	80/90	75/87	150/150	150/150	80/90	80/90	60/70	60/70	60/70		
DD40CP	2	29.7/39.6	101.34/135.12	82.5/95.2	154/169	175/175	175/175	104/119	110/125	104/119	175/175	175/175	50/50	110/125	60/70	60/70	60/70			
RHPDZS102ACH	No Heat	—	—	—	—	53/53	70/80	70/80	53/53	—	—	70/80	70/80	53/53	—	70/80	70/80			
	DD10CP	1	7.4/9.9	25.25/33.78	20.6/23.8	79/83	90/100	90/100	26/30	30/30	26/30	90/100	90/100	53/53	30/30	53/53	70/80	70/80		
	DD15CP	1	10.8/14.4	36.85/49.13	30.0/34.6	91/97	100/110	110/110	38/44	40/45	38/44	100/110	110/110	53/53	40/45	53/53	70/80	70/80		
	DD20CP	2	14.9/19.8	50.84/67.56	41.3/47.6	105/113	110/110	125/125	52/60	60/60	52/60	110/110	125/125	60/60	60/60	60/70	60/70	60/70		
	DD30CP	2	21.6/28.8	73.70/98.27	60.0/69.3	128/140	150/150	150/150	75/87	80/90	75/87	150/150	150/150	80/90	80/90	60/70	60/70	60/70		
DD40CP	2	29.7/39.6	101.34/135.12	82.5/95.2	157/172	175/175	200/200	104/119	110/125	104/119	175/175	200/200	50/50	110/125	60/70	60/70	60/70			
RHPDZS120ACA	No Heat	—	—	—	—	54/54	70/80	70/80	54/54	—	—	70/80	70/80	54/54	—	70/80	70/80			
	DD10CP	1	7.4/9.9	25.25/33.78	20.6/23.8	80/84	90/100	90/100	26/30	30/30	26/30	90/100	90/100	54/54	30/30	54/54	70/80	70/80		
	DD15CP	1	10.8/14.4	36.85/49.13	30.0/34.6	91/97	100/110	100/110	38/44	40/45	38/44	100/110	100/110	54/54	40/45	54/54	70/80	70/80		
	DD20CP	2	14.9/19.8	50.84/67.56	41.3/47.6	106/113	110/125	125/125	52/60	60/60	52/60	110/125	125/125	60/60	60/60	60/70	60/70	60/70		
	DD30CP	2	21.6/28.8	73.70/98.27	60.0/69.3	129/141	150/150	150/150	75/87	80/90	75/87	150/150	150/150	80/90	80/90	60/70	60/70	60/70		
DD40CP	2	29.7/39.6	101.34/135.12	82.5/95.2	157/173	175/175	200/200	104/119	110/125	104/119	175/175	200/200	54/54	110/125	60/70	60/70	60/70			
RHPDZS120ACB	No Heat	—	—	—	—	57/57	70/80	70/80	57/57	—	—	70/80	70/80	57/57	—	70/80	70/80			
	DD10CP	1	7.4/9.9	25.25/33.78	20.6/23.8	82/86	90/100	90/110	26/30	30/30	26/30	90/100	90/110	57/57	30/30	57/57	70/80	70/80		
	DD15CP	1	10.8/14.4	36.85/49.13	30.0/34.6	94/100	100/110	110/110	38/44	40/45	38/44	100/110	110/110	57/57	40/45	57/57	70/80	70/80		
	DD20CP	2	14.9/19.8	50.84/67.56	41.3/47.6	108/116	125/125	125/125	52/60	60/60	52/60	125/125	125/125	60/60	60/60	60/70	60/70	60/70		
	DD30CP	2	21.6/28.8	73.70/98.27	60.0/69.3	132/143	150/150	150/150	75/87	80/90	75/87	150/150	150/150	80/90	80/90	60/70	60/70	60/70		
DD40CP	2	29.7/39.6	101.34/135.12	82.5/95.2	160/176	175/175	200/200	104/119	110/125	104/119	175/175	200/200	57/57	110/125	60/70	60/70	60/70			
RHPDZS120ACC	No Heat	—	—	—	—	58/58	70/90	70/90	58/58	—	—	70/90	70/90	58/58	—	70/90	70/90			
	DD10CP	1	7.4/9.9	25.25/33.78	20.6/23.8	84/88	90/100	90/110	26/30	30/30	26/30	90/100	90/110	58/58	30/30	58/58	70/90	70/90		
	DD15CP	1	10.8/14.4	36.85/49.13	30.0/34.6	96/101	100/110	110/110	38/44	40/45	38/44	100/110	110/110	58/58	40/45	58/58	70/90	70/90		
	DD20CP	2	14.9/19.8	50.84/67.56	41.3/47.6	110/118	125/125	125/125	52/60	60/60	52/60	125/125	125/125	60/60	60/60	60/70	60/70	60/70		
	DD30CP	2	21.6/28.8	73.70/98.27	60.0/69.3	133/145	150/150	150/150	75/87	80/90	75/87	150/150	150/150	80/90	80/90	60/70	60/70	60/70		
DD40CP	2	29.7/39.6	101.34/135.12	82.5/95.2	161/177	175/175	200/200	104/119	110/125	104/119	175/175	200/200	58/58	110/125	60/70	60/70	60/70			

* = For Canadian use only. Uses "r" fuses for inductive circuit.

+ = Field installed only.



208/240 VOLT, THREE PHASE, 60 HZ, AUXILIARY ELECTRIC HEATER KITS CHARACTERISTICS AND APPLICATION

Unit Model No. RHPDZ-	Single Power Supply for Both Unit and Heater Kit										Separate Power Supply for Both Unit and Heater Kit					
	Heater Kit					Heat Pump					Heater Kit			Heat Pump		
	RXJJ-Heater Kit Nominal kW	No. of Sequence Steps	Rated Heater kW @ 208/240 V	Heater KBTU/Hr @ 208/240 V	Heater Amp. @ 208/240 V	Unit Min. Ckt. Ampacity @ 208-240 V	Over Current Protective Device Size Min./Max. @ 208 V	Over Current Protective Device Size Min./Max. @ 240 V	Min. Ckt. Ampacity 208/240 V	Max. Fuse Size 208/240 V	Min. Ckt. Ampacity 208/240 V	Over Current Protective Device Size Min./Max. @ 208 V	Over Current Protective Device Size Min./Max. @ 240 V			
RHPDZS102ACF	No Heat	—	—	—	—	54/54	70/80	70/80	—	—	54/54	70/80				
	DD10CP	1	7.4/9.9	25.25/33.78	20.6/23.8	80/84	90/100	90/100	26/30	30/30	54/54	70/80				
	DD15CP	1	10.8/14.4	36.85/49.13	30.0/34.6	91/97	100/110	100/110	38/44	40/45	54/54	70/80				
	DD20CP	2	14.9/19.8	50.84/67.56	41.3/47.6	106/113	110/125	125/125	52/60	60/60	54/54	70/80				
	DD30CP	2	21.6/28.8	73.70/98.27	60.0/69.3	129/141	150/150	150/150	75/87	80/90	54/54	70/80				
	DD40CP	2	29.7/39.6	101.34/135.12	82.5/95.2	157/173	175/175	200/200	104/119	110/125	54/54	70/80				
RHPDZS120ACG	No Heat	—	—	—	—	57/57	70/80	70/80	—	—	57/57	70/80				
	DD10CP	1	7.4/9.9	25.25/33.78	20.6/23.8	82/86	90/100	90/100	26/30	30/30	57/57	70/80				
	DD15CP	1	10.8/14.4	36.85/49.13	30.0/34.6	94/100	100/110	110/110	38/44	40/45	57/57	70/80				
	DD20CP	2	14.9/19.8	50.84/67.56	41.3/47.6	108/116	125/125	125/125	52/60	60/60	57/57	70/80				
	DD30CP	2	21.6/28.8	73.70/98.27	60.0/69.3	132/143	150/150	150/150	75/87	80/90	57/57	70/80				
	DD40CP	2	29.7/39.6	101.34/135.12	82.5/95.2	160/176	175/175	200/200	104/119	110/125	57/57	70/80				
RHPDZS120ACH	No Heat	—	—	—	—	58/58	70/90	70/90	—	—	58/58	70/90				
	DD10CP	1	7.4/9.9	25.25/33.78	20.6/23.8	84/88	90/100	100/110	26/30	30/30	58/58	70/90				
	DD15CP	1	10.8/14.4	36.85/49.13	30.0/34.6	96/101	100/110	110/110	38/44	40/45	58/58	70/90				
	DD20CP	2	14.9/19.8	50.84/67.56	41.3/47.6	110/118	125/125	125/125	52/60	60/60	58/58	70/90				
	DD30CP	2	21.6/28.8	73.70/98.27	60.0/69.3	133/145	150/150	150/150	75/87	80/90	58/58	70/90				
	DD40CP	2	29.7/39.6	101.34/135.12	82.5/95.2	161/177	175/175	200/200	104/119	110/125	58/58	70/90				
RHPDZT120ACF	No Heat	—	—	—	—	44/44	50/60	50/60	—	—	44/44	50/60				
	DD10CP	1	7.4/9.9	25.25/33.78	20.6/23.8	69/73	80/80	80/90	26/30	30/30	44/44	50/60				
	DD15CP	1	10.8/14.4	36.85/49.13	30.0/34.6	81/87	90/90	90/100	38/44	40/45	44/44	50/60				
	DD20CP	2	14.9/19.8	50.84/67.56	41.3/47.6	95/103	100/100	110/110	52/60	60/60	44/44	50/60				
	DD30CP	2	21.6/28.8	73.70/98.27	60.0/69.3	119/130	125/125	150/150	75/87	80/90	44/44	50/60				
	DD40CP	2	29.7/39.6	101.34/135.12	82.5/95.2	147/163	150/150	175/175	104/119	110/125	44/44	50/60				
RHPDZT090ACG	No Heat	—	—	—	—	46/46	60/70	60/70	—	—	46/46	60/70				
	DD10CP	1	7.4/9.9	25.25/33.78	20.6/23.8	72/76	80/90	80/90	26/30	30/30	46/46	60/70				
	DD15CP	1	10.8/14.4	36.85/49.13	30.0/34.6	84/89	90/100	100/100	38/44	40/45	46/46	60/70				
	DD20CP	2	14.9/19.8	50.84/67.56	41.3/47.6	98/106	110/110	110/110	52/60	60/60	46/46	60/70				
	DD30CP	2	21.6/28.8	73.70/98.27	60.0/69.3	121/133	125/125	150/150	75/87	80/90	46/46	60/70				
	DD40CP	2	29.7/39.6	101.34/135.12	82.5/95.2	149/165	175/175	175/175	104/119	110/125	46/46	60/70				
RHPDZT090ACH	No Heat	—	—	—	—	46/46	60/70	60/70	—	—	46/46	60/70				
	DD10CP	1	7.4/9.9	25.25/33.78	20.6/23.8	72/76	80/90	80/90	26/30	30/30	46/46	60/70				
	DD15CP	1	10.8/14.4	36.85/49.13	30.0/34.6	84/89	90/100	100/100	38/44	40/45	46/46	60/70				
	DD20CP	2	14.9/19.8	50.84/67.56	41.3/47.6	98/106	110/110	110/110	52/60	60/60	46/46	60/70				
	DD30CP	2	21.6/28.8	73.70/98.27	60.0/69.3	121/133	125/125	150/150	75/87	80/90	46/46	60/70				
	DD40CP	2	29.7/39.6	101.34/135.12	82.5/95.2	149/165	175/175	175/175	104/119	110/125	46/46	60/70				

* = For Canadian use only. Uses "P" fuses for inductive circuit.
+ = Field installed only.



208/240 VOLT, THREE PHASE, 60 Hz, AUXILIARY ELECTRIC HEATER KITS CHARACTERISTICS AND APPLICATION

Single Power Supply for Both Unit and Heater Kit										Separate Power Supply for Both Unit and Heater Kit				
Unit Model No. RHPDZ-	Heater Kit					Heat Pump					Heater Kit		Heat Pump	
	RXJJ-Heater Kit Nominal kW	No. of Sequence Steps	Rated Heater kW @ 208/240 V	Heater KBTU/Hr @ 208/240 V	Heater Amp. @ 208/240 V	Unit Min. Ckt. Ampacity @ 208-240 V	Protective Device Size		Min. Circuit Ampacity 208/240 V	Max. Fuse Size 208/240 V	Min. Ckt. Ampacity 208/240 V	Over Current Protective Device Size		
							Min./Max. @ 208 V	Min./Max. @ 240 V				Min./Max. @ 208 V	Min./Max. @ 240 V	
RHPDZT102ACF	No Heat	—	—	—	—	48/48	60/70	60/70	—	—	48/48	60/70	60/70	
	DD10CP	1	7.4/9.9	25.25/33.78	20.6/23.8	74/78	80/90	90/100	26/30	30/30	48/48	60/70	60/70	
	DD15CP	1	10.8/14.4	36.85/49.13	30.0/34.6	86/92	90/100	100/110	38/44	40/45	48/48	60/70	60/70	
	DD20CP	2	14.9/19.8	50.84/67.56	41.3/47.6	100/108	110/110	125/125	52/60	60/60	48/48	60/70	60/70	
	DD30CP	2	21.6/28.8	73.70/98.27	60.0/69.3	123/135	150/150	150/150	75/87	80/90	48/48	60/70	60/70	
	DD40CP	2	29.7/39.6	101.34/135.12	82.5/95.2	152/167	175/175	175/175	104/119	110/125	48/48	60/70	60/70	
RHPDZT102ACG	No Heat	—	—	—	—	50/50	60/70	60/70	—	—	50/50	60/70	60/70	
	DD10CP	1	7.4/9.9	25.25/33.78	20.6/23.8	76/80	80/90	90/100	26/30	30/30	50/50	60/70	60/70	
	DD15CP	1	10.8/14.4	36.85/49.13	30.0/34.6	88/94	100/100	100/110	38/44	40/45	50/50	60/70	60/70	
	DD20CP	2	14.9/19.8	50.84/67.56	41.3/47.6	102/110	110/110	125/125	52/60	60/60	50/50	60/70	60/70	
	DD30CP	2	21.6/28.8	73.70/98.27	60.0/69.3	125/137	150/150	150/150	75/87	80/90	50/50	60/70	60/70	
	DD40CP	2	29.7/39.6	101.34/135.12	82.5/95.2	154/169	175/175	175/175	104/119	110/125	50/50	60/70	60/70	
RHPDZT102ACH	No Heat	—	—	—	—	53/53	70/80	70/80	—	—	53/53	70/80	70/80	
	DD10CP	1	7.4/9.9	25.25/33.78	20.6/23.8	79/83	90/100	90/100	26/30	30/30	53/53	70/80	70/80	
	DD15CP	1	10.8/14.4	36.85/49.13	30.0/34.6	91/97	100/110	110/110	38/44	40/45	53/53	70/80	70/80	
	DD20CP	2	14.9/19.8	50.84/67.56	41.3/47.6	105/113	110/110	125/125	52/60	60/60	53/53	70/80	70/80	
	DD30CP	2	21.6/28.8	73.70/98.27	60.0/69.3	128/140	150/150	150/150	75/87	80/90	53/53	70/80	70/80	
	DD40CP	2	29.7/39.6	101.34/135.12	82.5/95.2	157/172	175/175	200/200	104/119	110/125	53/53	70/80	70/80	
RHPDZT120ACF	No Heat	—	—	—	—	54/54	70/80	70/80	—	—	54/54	70/80	70/80	
	DD10CP	1	0.1/7.4	0.34/25.25	2.0/20.6	56/80	70/80	90/100	15/26	15/30	54/54	70/80	70/80	
	DD15CP	1	0.1/10.8	0.34/36.85	2.9/30.0	58/91	70/80	100/110	15/38	15/40	54/54	70/80	70/80	
	DD20CP	2	0.1/14.9	0.34/50.84	4.0/41.3	59/106	70/90	110/125	15/52	15/60	54/54	70/80	70/80	
	DD30CP	2	0.2/21.6	0.68/73.70	5.8/60.1	61/129	70/90	150/150	15/76	15/80	54/54	70/80	70/80	
	DD40CP	2	0.3/29.7	1.02/101.34	7.9/82.5	64/157	70/90	175/175	15/104	15/110	54/54	70/80	70/80	
RHPDZT120ACG	No Heat	—	—	—	—	57/57	70/80	70/80	—	—	57/57	70/80	70/80	
	DD10CP	1	7.4/9.9	25.25/33.78	20.6/23.8	82/86	90/100	90/110	26/30	30/30	57/57	70/80	70/80	
	DD15CP	1	10.8/14.4	36.85/49.13	30.0/34.6	94/100	100/110	110/110	38/44	40/45	57/57	70/80	70/80	
	DD20CP	2	14.9/19.8	50.84/67.56	41.3/47.6	108/116	125/125	125/125	52/60	60/60	57/57	70/80	70/80	
	DD30CP	2	21.6/28.8	73.70/98.27	60.0/69.3	132/143	150/150	150/150	75/87	80/90	57/57	70/80	70/80	
	DD40CP	2	29.7/39.6	101.34/135.12	82.5/95.2	160/176	175/175	200/200	104/119	110/125	57/57	70/80	70/80	
RHPDZT120ACH	No Heat	—	—	—	—	58/58	70/90	70/90	—	—	58/58	70/90	70/90	
	DD10CP	1	7.4/9.9	25.25/33.78	20.6/23.8	84/88	90/110	100/110	26/30	30/30	58/58	70/90	70/90	
	DD15CP	1	10.8/14.4	36.85/49.13	30.0/34.6	96/101	100/110	110/110	38/44	40/45	58/58	70/90	70/90	
	DD20CP	2	14.9/19.8	50.84/67.56	41.3/47.6	110/118	125/125	125/125	52/60	60/60	58/58	70/90	70/90	
	DD30CP	2	21.6/28.8	73.70/98.27	60.0/69.3	133/145	150/150	150/150	75/87	80/90	58/58	70/90	70/90	
	DD40CP	2	29.7/39.6	101.34/135.12	82.5/95.2	161/177	175/175	200/200	104/119	110/125	58/58	70/90	70/90	

* = For Canadian use only. Uses "r" fuses for inductive circuit.

+ = Field installed only.



480 VOLT, THREE PHASE, 60 HZ, AUXILIARY ELECTRIC HEATER KITS CHARACTERISTICS AND APPLICATION

Single Power Supply for Both Unit and Heater Kit										Separate Power Supply for Both Unit and Heater Kit					
Unit Model No. RHPDZ-	Heater Kit					Heat Pump					Heater Kit		Heat Pump		
	RXJJ-Heater Kit Nominal kW	No. of Sequence Steps	Rated Heater kW @ 480 V	Heater KBTU/Hr @ 480 V	Heater Amp. @ 480 V	Unit Min. Ckt. Ampacity @ 480 V	Over Current Protective Device Size Min./Max. @ 480 V	Min. Ckt. Ampacity 480 V	Max. Fuse Size 480 V	Min. Circuit Ampacity 480 V	Over Current Protective Device Size Min./Max. @ 480 V	Min. Ckt. Ampacity 480 V	Max. Fuse Size 480 V	Min. Circuit Ampacity 480 V	Over Current Protective Device Size Min./Max. @ 480 V
RHPDZR090ADA	No Heat	—	—	—	—	23	30/35	—	—	23	30/35	—	—	23	30/35
	DD10DNV	1	9.9	33.78	11.9	38	40/45	15	15	23	30/35	15	15	23	30/35
	DD15DNV	1	14.4	49.13	17.3	44	50/50	22	25	23	30/35	22	25	23	30/35
	DD20DNV	2	19.8	67.56	23.8	52	60/60	30	30	23	30/35	30	30	23	30/35
	DD30DNV	2	28.8	98.27	34.6	66	70/70	44	45	23	30/35	44	45	23	30/35
RHPDZR090ADB	DD40DNV	2	39.6	135.12	47.6	82	90/90	60	60	23	30/35	60	60	23	30/35
	No Heat	—	—	—	—	24	30/35	—	—	24	30/35	—	—	24	30/35
	DD10DNV	1	9.9	33.78	11.9	39	45/45	15	15	24	30/35	15	15	24	30/35
	DD15DNV	1	14.4	49.13	17.3	46	50/50	22	25	24	30/35	22	25	24	30/35
	DD20DNV	2	19.8	67.56	23.8	54	60/60	30	30	24	30/35	30	30	24	30/35
RHPDZR090ADC	DD30DNV	2	28.8	98.27	34.6	67	70/70	44	45	24	30/35	44	45	24	30/35
	DD40DNV	2	39.6	135.12	47.6	84	90/90	60	60	24	30/35	60	60	24	30/35
	No Heat	—	—	—	—	24	30/35	—	—	24	30/35	—	—	24	30/35
	DD10DNV	1	9.9	33.78	11.9	39	45/45	15	15	24	30/35	15	15	24	30/35
	DD15DNV	1	14.4	49.13	17.3	46	50/50	22	25	23	30/35	22	25	23	30/35
RHPDZR102ADA	DD20DNV	2	19.8	67.56	23.8	53	60/60	30	30	23	30/35	30	30	23	30/35
	DD30DNV	2	28.8	98.27	34.6	66	70/70	44	45	23	30/35	44	45	23	30/35
	DD40DNV	2	39.6	135.12	47.6	82	90/90	60	60	23	30/35	60	60	23	30/35
	No Heat	—	—	—	—	24	30/35	—	—	24	30/35	—	—	24	30/35
	DD10DNV	1	9.9	33.78	11.9	39	45/45	15	15	24	30/35	15	15	24	30/35
RHPDZR102ADB	DD15DNV	1	14.4	49.13	17.3	46	50/50	22	25	24	30/35	22	25	24	30/35
	DD20DNV	2	19.8	67.56	23.8	54	60/60	30	30	24	30/35	30	30	24	30/35
	DD30DNV	2	28.8	98.27	34.6	67	70/70	44	45	24	30/35	44	45	24	30/35
	DD40DNV	2	39.6	135.12	47.6	83	90/90	60	60	24	30/35	60	60	24	30/35
	No Heat	—	—	—	—	25	30/35	—	—	25	30/35	—	—	25	30/35
RHPDZR102ADC	DD10DNV	1	9.9	33.78	11.9	40	45/45	15	15	25	30/35	15	15	25	30/35
	DD15DNV	1	14.4	49.13	17.3	47	50/50	22	25	25	30/35	22	25	25	30/35
	DD20DNV	2	19.8	67.56	23.8	55	60/60	30	30	25	30/35	30	30	25	30/35
	DD30DNV	2	28.8	98.27	34.6	69	80/80	44	45	25	30/35	44	45	25	30/35
	DD40DNV	2	39.6	135.12	47.6	85	90/90	60	60	25	30/35	60	60	25	30/35

* = For Canadian use only. Uses "p" fuses for inductive circuit.
+ = Field installed only.





Air

Electric Heater Kits
RHPD Series**480 VOLT, THREE PHASE, 60 Hz, AUXILIARY ELECTRIC HEATER KITS CHARACTERISTICS AND APPLICATION****Single Power Supply for Both Unit and Heater Kit****Separate Power Supply for Both Unit and Heater Kit**

Unit Model No. RHPDZ-	Heater Kit						Heater Kit			Heater Kit			Heat Pump			Heat Pump					
	RXJJ- Heater Kit Nominal kW	No. of Sequence Steps	Rated Heater kW @ 480 V	Heater KBTU/Hr @ 480 V	Heater Amp. @ 480 V	Unit Min. Ckt. Ampacity @ 480 V	Min. Ckt. Ampacity 480 V	Max. Fuse Size 480 V	Min. Circuit Ampacity 480 V	Over Current Protective Device Size Min./Max. @ 480 V	Over Current Protective Device Size	Min. Ckt. Ampacity 480 V	Max. Fuse Size 480 V	Min. Circuit Ampacity 480 V	Over Current Protective Device Size Min./Max. @ 480 V	Over Current Protective Device Size	Min. Ckt. Ampacity 480 V	Max. Fuse Size 480 V	Min. Circuit Ampacity 480 V	Over Current Protective Device Size Min./Max. @ 480 V	Over Current Protective Device Size
RHPDZR120ADA	No Heat	—	—	—	—	26	—	—	—	30/40	—	—	—	26	30/40	—	—	—	26	30/40	—
	DD10DNV	1	9.9	33.78	11.9	41	—	—	—	45/50	—	—	—	26	30/40	—	—	—	26	30/40	—
	DD15DNV	1	14.4	49.13	17.3	47	—	—	—	50/50	—	—	—	26	30/40	—	—	—	26	30/40	—
	DD20DNV	2	19.8	67.56	23.8	56	—	—	—	60/60	—	—	—	30	30/40	—	—	—	26	30/40	—
RHPDZR120ADB	DD30DNV	2	28.8	98.27	34.6	69	—	—	—	80/80	—	—	—	44	30/40	—	—	—	26	30/40	—
	DD40DNV	2	39.6	135.12	47.6	85	—	—	—	90/90	—	—	—	60	30/40	—	—	—	26	30/40	—
	No Heat	—	—	—	—	27	—	—	—	35/40	—	—	—	—	35/40	—	—	—	27	35/40	—
	DD10DNV	1	9.9	33.78	11.9	42	—	—	—	45/50	—	—	—	15	35/40	—	—	—	27	35/40	—
RHPDZR120ADC	DD15DNV	1	14.4	49.13	17.3	49	—	—	—	60/60	—	—	—	22	35/40	—	—	—	27	35/40	—
	DD20DNV	2	19.8	67.56	23.8	57	—	—	—	60/60	—	—	—	30	35/40	—	—	—	27	35/40	—
	DD30DNV	2	28.8	98.27	34.6	70	—	—	—	80/80	—	—	—	44	35/40	—	—	—	27	35/40	—
	DD40DNV	2	39.6	135.12	47.6	87	—	—	—	90/90	—	—	—	60	35/40	—	—	—	27	35/40	—
RHPDZS090ADA	No Heat	—	—	—	—	28	—	—	—	35/40	—	—	—	—	35/40	—	—	—	28	35/40	—
	DD10DNV	1	9.9	33.78	11.9	43	—	—	—	45/50	—	—	—	15	35/40	—	—	—	28	35/40	—
	DD15DNV	1	14.4	49.13	17.3	49	—	—	—	60/60	—	—	—	22	35/40	—	—	—	28	35/40	—
	DD20DNV	2	19.8	67.56	23.8	58	—	—	—	60/60	—	—	—	30	35/40	—	—	—	28	35/40	—
RHPDZS090ADB	DD30DNV	2	28.8	98.27	34.6	71	—	—	—	80/80	—	—	—	44	35/40	—	—	—	28	35/40	—
	DD40DNV	2	39.6	135.12	47.6	87	—	—	—	90/90	—	—	—	60	35/40	—	—	—	28	35/40	—
	No Heat	—	—	—	—	19	—	—	—	25/25	—	—	—	—	25/25	—	—	—	19	25/25	—
	DD10DNV	1	9.9	33.78	11.9	34	—	—	—	35/35	—	—	—	15	25/25	—	—	—	19	25/25	—
RHPDZS090ADC	DD15DNV	1	14.4	49.13	17.3	40	—	—	—	45/45	—	—	—	22	25/25	—	—	—	19	25/25	—
	DD20DNV	2	19.8	67.56	23.8	48	—	—	—	50/50	—	—	—	30	25/25	—	—	—	19	25/25	—
	DD30DNV	2	28.8	98.27	34.6	62	—	—	—	70/70	—	—	—	44	25/25	—	—	—	19	25/25	—
	DD40DNV	2	39.6	135.12	47.6	78	—	—	—	80/80	—	—	—	60	25/25	—	—	—	19	25/25	—
RHPDZS090ADB	No Heat	—	—	—	—	20	—	—	—	25/25	—	—	—	—	25/25	—	—	—	20	25/25	—
	DD10DNV	1	9.9	33.78	11.9	35	—	—	—	40/40	—	—	—	15	25/25	—	—	—	20	25/25	—
	DD15DNV	1	14.4	49.13	17.3	42	—	—	—	45/45	—	—	—	22	25/25	—	—	—	20	25/25	—
	DD20DNV	2	19.8	67.56	23.8	50	—	—	—	60/60	—	—	—	30	25/25	—	—	—	20	25/25	—
RHPDZS090ADC	DD30DNV	2	28.8	98.27	34.6	63	—	—	—	70/70	—	—	—	44	25/25	—	—	—	20	25/25	—
	DD40DNV	2	39.6	135.12	47.6	80	—	—	—	90/90	—	—	—	60	25/25	—	—	—	20	25/25	—
	No Heat	—	—	—	—	20	—	—	—	25/25	—	—	—	—	25/25	—	—	—	20	25/25	—
	DD10DNV	1	9.9	33.78	11.9	35	—	—	—	40/40	—	—	—	15	25/25	—	—	—	20	25/25	—
RHPDZS090ADC	DD15DNV	1	14.4	49.13	17.3	42	—	—	—	45/45	—	—	—	22	25/25	—	—	—	20	25/25	—
	DD20DNV	2	19.8	67.56	23.8	50	—	—	—	60/60	—	—	—	30	25/25	—	—	—	20	25/25	—
	DD30DNV	2	28.8	98.27	34.6	63	—	—	—	70/70	—	—	—	44	25/25	—	—	—	20	25/25	—
	DD40DNV	2	39.6	135.12	47.6	80	—	—	—	90/90	—	—	—	60	25/25	—	—	—	20	25/25	—

* = For Canadian use only. Uses "IP" fuses for inductive circuit.

+ = Field installed only.





480 VOLT, THREE PHASE, 60 HZ, AUXILIARY ELECTRIC HEATER KITS CHARACTERISTICS AND APPLICATION

Single Power Supply for Both Unit and Heater Kit										Separate Power Supply for Both Unit and Heater Kit					
Unit Model No. RHPDZ-	Heater Kit					Heater Pump					Heater Kit			Heater Pump	
	RXJJ-Heater Kit Nominal kW	No. of Sequence Steps	Rated Heater kW @ 480 V	Heater KBTU/Hr @ 480 V	Heater Amp. @ 480 V	Unit Min. Ckt. Ampacity @ 480 V	Over Current Protective Device Size Min./Max. @ 480 V	Heater Amp. @ 480 V	Heater Min. Ckt. Ampacity @ 480 V	Max. Fuse Size @ 480 V	Min. Circuit Ampacity @ 480 V	Over Current Protective Device Size Min./Max. @ 480 V	Min. Circuit Ampacity @ 480 V	Max. Fuse Size @ 480 V	Over Current Protective Device Size Min./Max. @ 480 V
RHPDZS090ADF	No Heat	—	—	—	—	19	25/25	—	—	—	19	25/25	—	—	—
	DD10DNV	1	9.9	33.78	11.9	34	35/35	—	—	—	19	25/25	15	15	19
	DD15DNV	1	14.4	49.13	17.3	40	45/45	—	—	—	19	25/25	22	25	19
	DD20DNV	2	19.8	67.56	23.8	48	50/50	—	—	—	19	25/25	30	30	19
	DD30DNV	2	28.8	98.27	34.6	62	70/70	—	—	—	19	25/25	44	45	19
RHPDZS090ADG	DD40DNV	2	39.6	135.12	47.6	78	80/80	—	—	—	19	25/25	60	60	19
	No Heat	—	—	—	—	20	25/25	—	—	—	20	25/25	—	—	—
	DD10DNV	1	9.9	33.78	11.9	35	40/40	—	—	—	20	25/25	15	15	20
	DD15DNV	1	14.4	49.13	17.3	42	45/45	—	—	—	20	25/25	22	25	20
	DD20DNV	2	19.8	67.56	23.8	50	60/60	—	—	—	20	25/25	30	30	20
RHPDZS090ADH	DD30DNV	2	28.8	98.27	34.6	63	70/70	—	—	—	20	25/25	44	45	20
	DD40DNV	2	39.6	135.12	47.6	80	90/90	—	—	—	20	25/25	60	60	20
	No Heat	—	—	—	—	20	25/25	—	—	—	20	25/25	—	—	—
	DD10DNV	1	9.9	33.78	11.9	35	40/40	—	—	—	20	25/25	15	15	20
	DD15DNV	1	14.4	49.13	17.3	42	45/45	—	—	—	20	25/25	22	25	20
RHPDZS102ADA	DD20DNV	2	19.8	67.56	23.8	50	60/60	—	—	—	20	25/25	30	30	20
	DD30DNV	2	28.8	98.27	34.6	63	70/70	—	—	—	20	25/25	44	45	20
	DD40DNV	2	39.6	135.12	47.6	80	90/90	—	—	—	20	25/25	60	60	20
	No Heat	—	—	—	—	23	30/30	—	—	—	23	30/30	—	—	—
	DD10DNV	1	9.9	33.78	11.9	37	40/45	—	—	—	23	30/30	15	15	23
RHPDZS102ADB	DD15DNV	1	14.4	49.13	17.3	44	50/50	—	—	—	23	30/30	22	25	23
	DD20DNV	2	19.8	67.56	23.8	52	60/60	—	—	—	23	30/30	30	30	23
	DD30DNV	2	28.8	98.27	34.6	66	70/70	—	—	—	23	30/30	44	45	23
	DD40DNV	2	39.6	135.12	47.6	82	90/90	—	—	—	23	30/30	60	60	23
	No Heat	—	—	—	—	24	30/35	—	—	—	24	30/35	—	—	—
RHPDZS102ADC	DD10DNV	1	9.9	33.78	11.9	38	40/45	—	—	—	24	30/35	15	15	24
	DD15DNV	1	14.4	49.13	17.3	45	50/50	—	—	—	24	30/35	22	25	24
	DD20DNV	2	19.8	67.56	23.8	53	60/60	—	—	—	24	30/35	30	30	24
	DD30DNV	2	28.8	98.27	34.6	67	70/70	—	—	—	24	30/35	44	45	24
	DD40DNV	2	39.6	135.12	47.6	83	90/90	—	—	—	24	30/35	60	60	24
RHPDZS102ADC	No Heat	—	—	—	—	25	30/35	—	—	—	25	30/35	—	—	—
	DD10DNV	1	9.9	33.78	11.9	40	45/45	—	—	—	25	30/35	15	15	25
	DD15DNV	1	14.4	49.13	17.3	47	50/50	—	—	—	25	30/35	22	25	25
	DD20DNV	2	19.8	67.56	23.8	55	60/60	—	—	—	25	30/35	30	30	25
	DD30DNV	2	28.8	98.27	34.6	68	80/80	—	—	—	25	30/35	44	45	25
DD40DNV	2	39.6	135.12	47.6	85	90/90	—	—	—	25	30/35	60	60	25	

* = For Canadian use only. Uses "P" fuses for inductive circuit.
+ = Field installed only.





Air

Electric Heater Kits
RHPD Series**480 VOLT, THREE PHASE, 60 Hz, AUXILIARY ELECTRIC HEATER KITS CHARACTERISTICS AND APPLICATION****Single Power Supply for Both Unit and Heater Kit**

Unit Model No. RHPDZ-	Single Power Supply for Both Unit and Heater Kit										Separate Power Supply for Both Unit and Heater Kit				
	Heater Kit					Heat Pump					Heater Kit		Heat Pump		
	RXJJ- Heater Kit Nominal kW	No. of Sequence Steps	Rated Heater kW @ 480 V	Heater KBTU/Hr @ 480 V	Heater Amp. @ 480 V	Unit Min. Ckt. Ampacity @ 480 V	Over Current Protective Device Size Min./Max. @ 480 V	Min. Ckt. Ampacity 480 V	Max. Fuse Size 480 V	Min. Circuit Ampacity 480 V	Over Current Protective Device Size Min./Max. @ 480 V	Min. Ckt. Ampacity 480 V	Max. Fuse Size 480 V	Min. Circuit Ampacity 480 V	Over Current Protective Device Size Min./Max. @ 480 V
RHPDZS102ADF	No Heat	—	—	—	—	23	30/30	—	—	23	30/30	—	—	23	30/30
	DD10DNV	1	9.9	33.78	11.9	37	40/45	—	15	23	30/30	—	15	23	30/30
	DD15DNV	1	14.4	49.13	17.3	44	50/50	—	22	23	30/30	—	25	23	30/30
	DD20DNV	2	19.8	67.56	23.8	52	60/60	—	30	30	30/30	—	30	30	30/30
	DD30DNV	2	28.8	98.27	34.6	66	70/70	—	44	23	30/30	—	45	23	30/30
DD40DNV	2	39.6	135.12	47.6	82	90/90	—	60	23	30/30	—	60	23	30/30	
RHPDZS102ADG	No Heat	—	—	—	—	24	30/35	—	—	24	30/35	—	—	24	30/35
	DD10DNV	1	9.9	33.78	11.9	38	40/45	—	15	24	30/35	—	15	24	30/35
	DD15DNV	1	14.4	49.13	17.3	45	50/50	—	22	24	30/35	—	25	24	30/35
	DD20DNV	2	19.8	67.56	23.8	53	60/60	—	30	30	30/35	—	30	24	30/35
	DD30DNV	2	28.8	98.27	34.6	67	70/70	—	44	24	30/35	—	45	24	30/35
DD40DNV	2	39.6	135.12	47.6	83	90/90	—	60	24	30/35	—	60	24	30/35	
RHPDZS102ADH	No Heat	—	—	—	—	25	30/35	—	—	25	30/35	—	—	25	30/35
	DD10DNV	1	9.9	33.78	11.9	40	45/45	—	15	25	30/35	—	15	25	30/35
	DD15DNV	1	14.4	49.13	17.3	47	50/50	—	22	25	30/35	—	25	25	30/35
	DD20DNV	2	19.8	67.56	23.8	55	60/60	—	30	30	30/35	—	30	25	30/35
	DD30DNV	2	28.8	98.27	34.6	68	80/80	—	44	25	30/35	—	45	25	30/35
DD40DNV	2	39.6	135.12	47.6	85	90/90	—	60	25	30/35	—	60	25	30/35	
RHPDZS120ADA	No Heat	—	—	—	—	26	30/40	—	—	26	30/40	—	—	26	30/40
	DD10DNV	1	9.9	33.78	11.9	41	45/50	—	15	26	30/40	—	15	26	30/40
	DD15DNV	1	14.4	49.13	17.3	48	50/50	—	22	26	30/40	—	25	26	30/40
	DD20DNV	2	19.8	67.56	23.8	56	60/60	—	30	30	30/40	—	30	26	30/40
	DD30DNV	2	28.8	98.27	34.6	69	80/80	—	44	26	30/40	—	45	26	30/40
DD40DNV	2	39.6	135.12	47.6	85	90/90	—	60	26	30/40	—	60	26	30/40	
RHPDZS120ADB	No Heat	—	—	—	—	27	35/40	—	—	27	35/40	—	—	27	35/40
	DD10DNV	1	9.9	33.78	11.9	42	45/50	—	15	27	35/40	—	15	27	35/40
	DD15DNV	1	14.4	49.13	17.3	49	60/60	—	22	27	35/40	—	25	27	35/40
	DD20DNV	2	19.8	67.56	23.8	57	60/60	—	30	27	35/40	—	30	27	35/40
	DD30DNV	2	28.8	98.27	34.6	70	80/80	—	44	27	35/40	—	45	27	35/40
DD40DNV	2	39.6	135.12	47.6	87	90/90	—	60	27	35/40	—	60	27	35/40	
RHPDZS120ADC	No Heat	—	—	—	—	28	35/40	—	—	28	35/40	—	—	28	35/40
	DD10DNV	1	9.9	33.78	11.9	43	45/50	—	15	28	35/40	—	15	28	35/40
	DD15DNV	1	14.4	49.13	17.3	50	60/60	—	22	28	35/40	—	25	28	35/40
	DD20DNV	2	19.8	67.56	23.8	58	60/60	—	30	28	35/40	—	30	28	35/40
	DD30DNV	2	28.8	98.27	34.6	71	80/80	—	44	28	35/40	—	45	28	35/40
DD40DNV	2	39.6	135.12	47.6	87	90/90	—	60	28	35/40	—	60	28	35/40	

* = For Canadian use only. Uses "IP" fuses for inductive circuit.

+ = Field installed only.



INTEGRATED AIR & WATER



480 VOLT, THREE PHASE, 60 HZ, AUXILIARY ELECTRIC HEATER KITS CHARACTERISTICS AND APPLICATION

Single Power Supply for Both Unit and Heater Kit										Separate Power Supply for Both Unit and Heater Kit				
Unit Model No. RHPDZ-	Heater Kit					Heat Pump					Heater Kit		Heat Pump	
	RXJJ-Heater Kit Nominal kW	No. of Sequence Steps	Rated Heater kW @ 480 V	Heater KBTU/Hr @ 480 V	Heater Amp. @ 480 V	Unit Min. Ckt. Ampacity @ 480 V	Over Current Protective Device Size Min./Max. @ 480 V	Min. Ckt. Ampacity 480 V	Max. Fuse Size 480 V	Min. Circuit Ampacity 480 V	Over Current Protective Device Size Min./Max. @ 480 V			
RHPDZS120ADF	No Heat	—	—	—	—	26	30/40	—	—	26	30/40	—		
	DD10DNV	1	9.9	33.78	11.9	41	45/50	15	15	26	30/40	—		
	DD15DNV	1	14.4	49.13	17.3	48	50/50	22	25	26	30/40	—		
	DD20DNV	2	19.8	67.56	23.8	56	60/60	30	30	26	30/40	—		
	DD30DNV	2	28.8	98.27	34.6	69	80/80	44	45	26	30/40	—		
DD40DNV	2	39.6	135.12	47.6	85	90/90	60	60	26	30/40	—			
RHPDZS120ADG	No Heat	—	—	—	—	27	35/40	—	—	27	35/40	—		
	DD10DNV	1	9.9	33.78	11.9	42	45/50	15	15	27	35/40	—		
	DD15DNV	1	14.4	49.13	17.3	49	60/60	22	25	27	35/40	—		
	DD20DNV	2	19.8	67.56	23.8	57	60/60	30	30	27	35/40	—		
	DD30DNV	2	28.8	98.27	34.6	70	80/80	44	45	27	35/40	—		
DD40DNV	2	39.6	135.12	47.6	87	90/90	60	60	27	35/40	—			
RHPDZS120ADH	No Heat	—	—	—	—	28	35/40	—	—	28	35/40	—		
	DD10DNV	1	9.9	33.78	11.9	43	45/50	15	15	28	35/40	—		
	DD15DNV	1	14.4	49.13	17.3	50	60/60	22	25	28	35/40	—		
	DD20DNV	2	19.8	67.56	23.8	58	60/60	30	30	28	35/40	—		
	DD30DNV	2	28.8	98.27	34.6	71	80/80	44	45	28	35/40	—		
DD40DNV	2	39.6	135.12	47.6	87	90/90	60	60	28	35/40	—			
RHPDZT090ADF	No Heat	—	—	—	—	19	25/25	—	—	19	25/25	—		
	DD10DNV	1	9.9	33.78	11.9	34	35/35	15	15	19	25/25	—		
	DD15DNV	1	14.4	49.13	17.3	40	45/45	22	25	19	25/25	—		
	DD20DNV	2	19.8	67.56	23.8	48	50/50	30	30	19	25/25	—		
	DD30DNV	2	28.8	98.27	34.6	62	70/70	44	45	19	25/25	—		
DD40DNV	2	39.6	135.12	47.6	78	80/80	60	60	19	25/25	—			
RHPDZT090ADG	No Heat	—	—	—	—	20	25/25	—	—	20	25/25	—		
	DD10DNV	1	9.9	33.78	11.9	35	40/40	15	15	20	25/25	—		
	DD15DNV	1	14.4	49.13	17.3	42	45/45	22	25	20	25/25	—		
	DD20DNV	2	19.8	67.56	23.8	50	60/60	30	30	20	25/25	—		
	DD30DNV	2	28.8	98.27	34.6	63	70/70	44	45	20	25/25	—		
DD40DNV	2	39.6	135.12	47.6	80	90/90	60	60	20	25/25	—			
RHPDZT090ADH	No Heat	—	—	—	—	20	25/25	—	—	20	25/25	—		
	DD10DNV	1	9.9	33.78	11.9	35	40/40	15	15	20	25/25	—		
	DD15DNV	1	14.4	49.13	17.3	42	45/45	22	25	20	25/25	—		
	DD20DNV	2	19.8	67.56	23.8	50	60/60	30	30	20	25/25	—		
	DD30DNV	2	28.8	98.27	34.6	63	70/70	44	45	20	25/25	—		
DD40DNV	2	39.6	135.12	47.6	80	90/90	60	60	20	25/25	—			

* = For Canadian use only. Uses "P" fuses for inductive circuit.
+ = Field installed only.

480 VOLT, THREE PHASE, 60 Hz, AUXILIARY ELECTRIC HEATER KITS CHARACTERISTICS AND APPLICATION

Single Power Supply for Both Unit and Heater Kit										Separate Power Supply for Both Unit and Heater Kit					
Unit Model No. RHPDZ-	Heater Kit					Heat Pump					Heater Kit			Heat Pump	
	RXJJ- Heater Kit Nominal kW	No. of Sequence Steps	Rated Heater kW @ 480 V	Heater KBTU/Hr @ 480 V	Heater Amp. @ 480 V	Unit Min. Ckt. Ampacity @ 480 V	Over Current Protective Device Size Min./Max. @ 480 V	Min. Ckt. Ampacity 480 V	Max. Fuse Size 480 V	Min. Circuit Ampacity 480 V	Over Current Protective Device Size Min./Max. @ 480 V	Min. Ckt. Ampacity 480 V	Max. Fuse Size 480 V	Min. Circuit Ampacity 480 V	Over Current Protective Device Size Min./Max. @ 480 V
RHPDZT102ADF	No Heat	—	—	—	—	23	30/30	—	—	23	30/30	—	—	23	30/30
	DD10DNV	1	9.9	33.78	11.9	37	40/45	—	15	23	30/30	—	15	23	30/30
	DD15DNV	1	14.4	49.13	17.3	44	50/50	—	22	23	30/30	—	25	23	30/30
	DD20DNV	2	19.8	67.56	23.8	52	60/60	—	30	30	30/30	—	30	30	30/30
	DD30DNV	2	28.8	98.27	34.6	66	70/70	—	44	44	23	30/30	—	45	30/30
	DD40DNV	2	39.6	135.12	47.6	82	90/90	—	60	60	23	30/30	—	60	30/30
RHPDZT102ADG	No Heat	—	—	—	—	24	30/35	—	—	24	30/35	—	—	24	30/35
	DD10DNV	1	9.9	33.78	11.9	38	40/45	—	15	24	30/35	—	15	24	30/35
	DD15DNV	1	14.4	49.13	17.3	45	50/50	—	22	24	30/35	—	25	24	30/35
	DD20DNV	2	19.8	67.56	23.8	53	60/60	—	30	30	30/35	—	30	30	30/35
	DD30DNV	2	28.8	98.27	34.6	67	70/70	—	44	44	24	30/35	—	45	30/35
	DD40DNV	2	39.6	135.12	47.6	83	90/90	—	60	60	24	30/35	—	60	30/35
RHPDZT102ADH	No Heat	—	—	—	—	25	30/35	—	—	25	30/35	—	—	25	30/35
	DD10DNV	1	9.9	33.78	11.9	40	45/45	—	15	25	30/35	—	15	25	30/35
	DD15DNV	1	14.4	49.13	17.3	47	50/50	—	22	25	30/35	—	25	25	30/35
	DD20DNV	2	19.8	67.56	23.8	55	60/60	—	30	30	30/35	—	30	25	30/35
	DD30DNV	2	28.8	98.27	34.6	68	80/80	—	44	44	25	30/35	—	45	30/35
	DD40DNV	2	39.6	135.12	47.6	85	90/90	—	60	60	25	30/35	—	60	30/35
RHPDZT120ADF	No Heat	—	—	—	—	26	30/40	—	—	26	30/40	—	—	26	30/40
	DD10DNV	1	9.9	33.78	11.9	41	45/50	—	15	26	30/40	—	15	26	30/40
	DD15DNV	1	14.4	49.13	17.3	48	50/50	—	22	26	30/40	—	25	26	30/40
	DD20DNV	2	19.8	67.56	23.8	56	60/60	—	30	30	30/40	—	30	26	30/40
	DD30DNV	2	28.8	98.27	34.6	69	80/80	—	44	44	26	30/40	—	45	30/40
	DD40DNV	2	39.6	135.12	47.6	85	90/90	—	60	60	26	30/40	—	60	30/40
RHPDZT120ADG	No Heat	—	—	—	—	27	35/40	—	—	27	35/40	—	—	27	35/40
	DD10DNV	1	9.9	33.78	11.9	42	45/50	—	15	27	35/40	—	15	27	35/40
	DD15DNV	1	14.4	49.13	17.3	49	60/60	—	22	27	35/40	—	25	27	35/40
	DD20DNV	2	19.8	67.56	23.8	57	60/60	—	30	30	35/40	—	30	27	35/40
	DD30DNV	2	28.8	98.27	34.6	70	80/80	—	44	44	27	35/40	—	45	35/40
	DD40DNV	2	39.6	135.12	47.6	87	90/90	—	60	60	27	35/40	—	60	35/40
RHPDZT120ADH	No Heat	—	—	—	—	28	35/40	—	—	28	35/40	—	—	28	35/40
	DD10DNV	1	9.9	33.78	11.9	43	45/50	—	15	28	35/40	—	15	28	35/40
	DD15DNV	1	14.4	49.13	17.3	50	60/60	—	22	28	35/40	—	25	28	35/40
	DD20DNV	2	19.8	67.56	23.8	58	60/60	—	30	30	35/40	—	30	28	35/40
	DD30DNV	2	28.8	98.27	34.6	71	80/80	—	44	44	28	35/40	—	45	35/40
	DD40DNV	2	39.6	135.12	47.6	87	90/90	—	60	60	28	35/40	—	60	35/40

* = For Canadian use only. Uses "r" fuses for inductive circuit.

+ = Field installed only.



Air

Electric Heater Kits
RHPD Series

600 VOLT, THREE PHASE, 60 Hz, AUXILIARY ELECTRIC HEATER KITS CHARACTERISTICS AND APPLICATION

Single Power Supply for Both Unit and Heater Kit										Separate Power Supply for Both Unit and Heater Kit			
Unit Model No. RHPDZ-	Heater Kit				Heat Pump				Heater Kit		Heat Pump		
	RXJJ-Heater Kit Nominal kW	No. of Sequence Steps	Rated Heater kW @ 600 V	Heater KBTU/Hr @ 600 V	Heater Amp. @ 600 V	Unit Min. Ckt. Ampacity @ 600 V	Over Current Protective Device Size Min./Max. @ 600 V	Min. Ckt. Ampacity 600 V	Max. Fuse Size 600 V	Min. Circuit Ampacity 600 V	Over Current Protective Device Size Min./Max. @ 600 V		
RHPDZR090AYA	No Heat	—	—	—	—	17	20/25	—	—	17	20/25		
RHPDZR090AYB	No Heat	—	—	—	—	18	25/25	—	—	18	25/25		
RHPDZR090AYC	No Heat	—	—	—	—	18	25/25	—	—	18	25/25		
RHPDZR102AYA	No Heat	—	—	—	—	17	20/25	—	—	17	20/25		
RHPDZR102AYB	No Heat	—	—	—	—	18	25/25	—	—	18	25/25		
RHPDZR102AYC	No Heat	—	—	—	—	18	25/25	—	—	18	25/25		
RHPDZR120AYA	No Heat	—	—	—	—	19	25/30	—	—	19	25/30		
RHPDZR120AYB	No Heat	—	—	—	—	20	25/30	—	—	20	25/30		
RHPDZR120AYC	No Heat	—	—	—	—	20	25/30	—	—	20	25/30		
RHPDZS090AYA	No Heat	—	—	—	—	14	20/20	—	—	14	20/20		
RHPDZS090AYB	No Heat	—	—	—	—	15	20/20	—	—	15	20/20		
RHPDZS090AYC	No Heat	—	—	—	—	15	20/20	—	—	15	20/20		
RHPDZS090AYF	No Heat	—	—	—	—	14	20/20	—	—	14	20/20		
RHPDZS090AYG	No Heat	—	—	—	—	15	20/20	—	—	15	20/20		
RHPDZS090AYH	No Heat	—	—	—	—	15	20/20	—	—	15	20/20		
RHPDZS102AYA	No Heat	—	—	—	—	17	20/25	—	—	17	20/25		
RHPDZS102AYB	No Heat	—	—	—	—	18	25/25	—	—	18	25/25		
RHPDZS102AYC	No Heat	—	—	—	—	18	25/25	—	—	18	25/25		
RHPDZS102AYF	No Heat	—	—	—	—	17	20/25	—	—	17	20/25		
RHPDZS102AYG	No Heat	—	—	—	—	18	25/25	—	—	18	25/25		
RHPDZS102AYH	No Heat	—	—	—	—	18	25/25	—	—	18	25/25		
RHPDZS120AYA	No Heat	—	—	—	—	19	25/25	—	—	19	25/25		
RHPDZS120AYB	No Heat	—	—	—	—	20	25/30	—	—	20	25/30		
RHPDZS120AYC	No Heat	—	—	—	—	20	25/30	—	—	20	25/30		
RHPDZS120AYF	No Heat	—	—	—	—	19	25/25	—	—	19	25/25		
RHPDZS120AYG	No Heat	—	—	—	—	20	25/30	—	—	20	25/30		
RHPDZS120AYH	No Heat	—	—	—	—	20	25/30	—	—	20	25/30		
RHPDZT090AYF	No Heat	—	—	—	—	14	20/20	—	—	14	20/20		
RHPDZT090AYG	No Heat	—	—	—	—	15	20/20	—	—	15	20/20		
RHPDZT090AYH	No Heat	—	—	—	—	15	20/20	—	—	15	20/20		
RHPDZT102AYF	No Heat	—	—	—	—	17	20/25	—	—	17	20/25		
RHPDZT102AYG	No Heat	—	—	—	—	18	25/25	—	—	18	25/25		
RHPDZT102AYH	No Heat	—	—	—	—	18	25/25	—	—	18	25/25		
RHPDZT120AYF	No Heat	—	—	—	—	19	25/25	—	—	19	25/25		
RHPDZT120AYG	No Heat	—	—	—	—	20	25/30	—	—	20	25/30		
RHPDZT120AYH	No Heat	—	—	—	—	20	25/30	—	—	20	25/30		

* = For Canadian use only. Uses "P" fuses for inductive circuit.
+ = Field installed only.



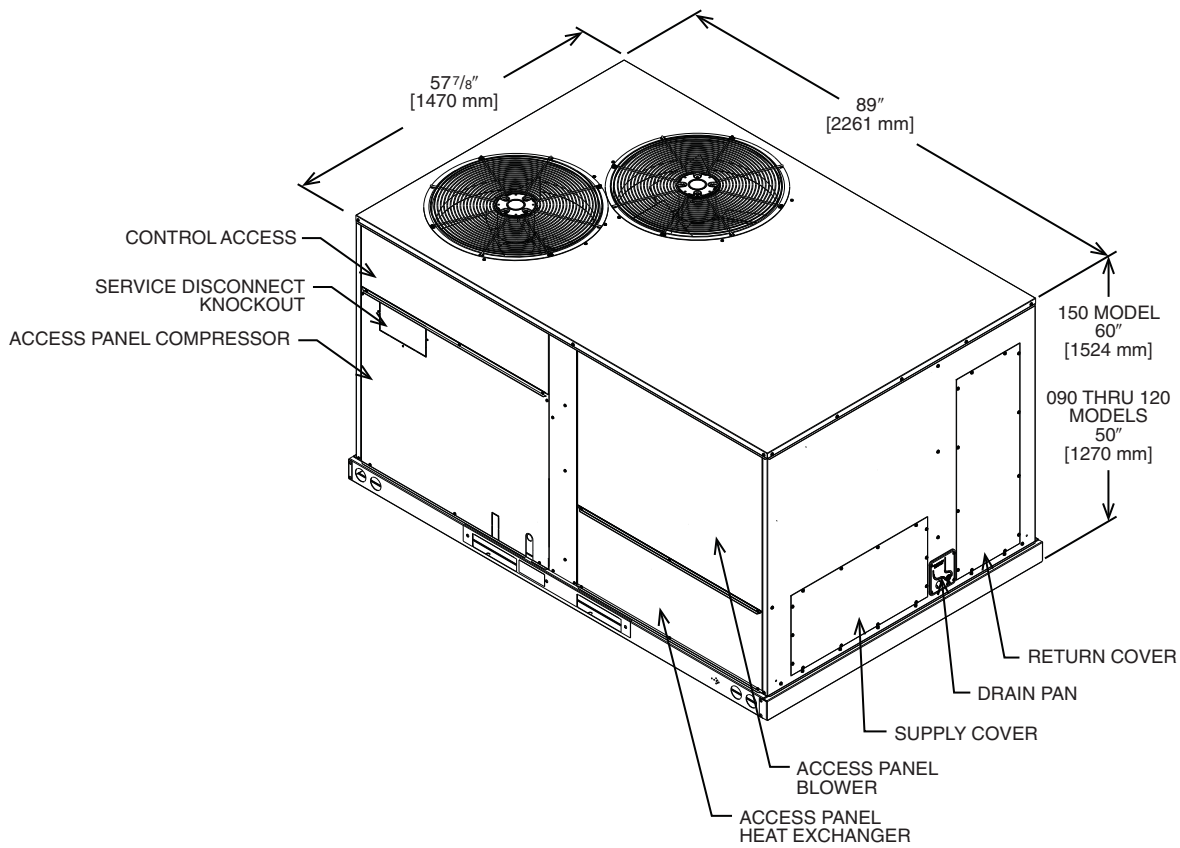


Illustration ST-A1273-26-00

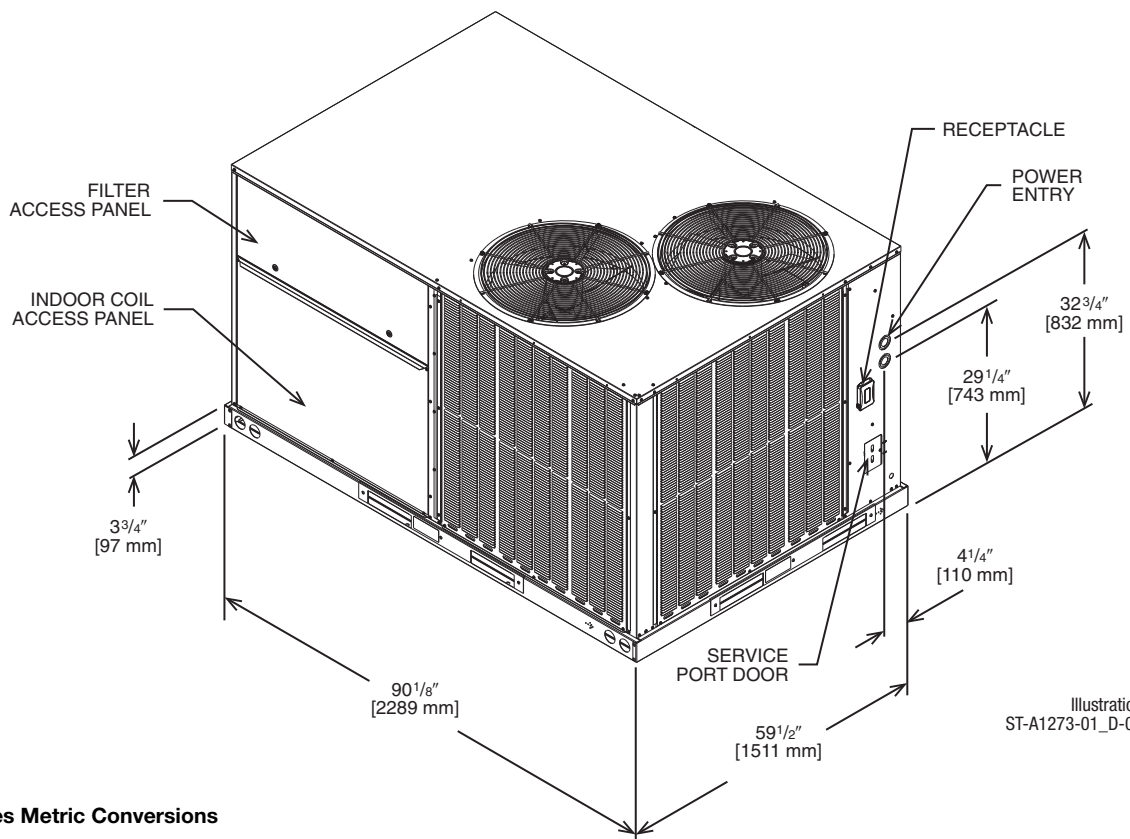
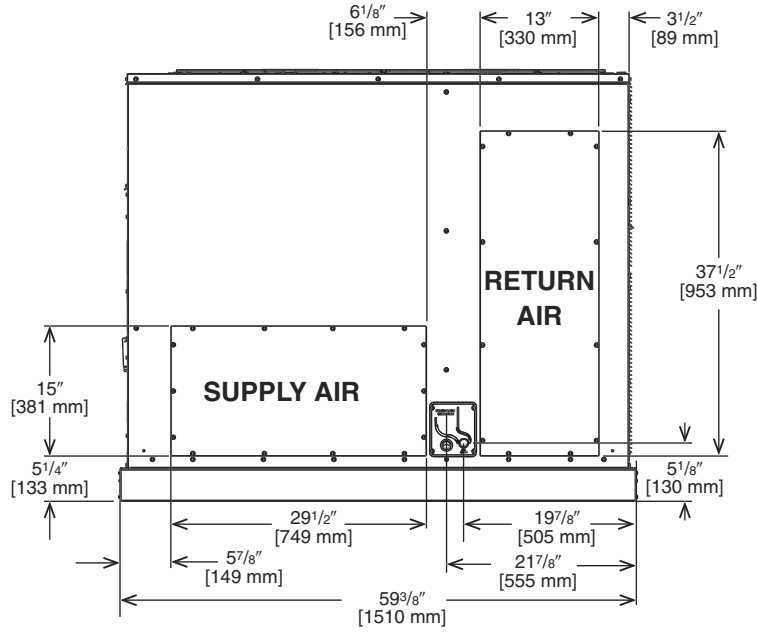


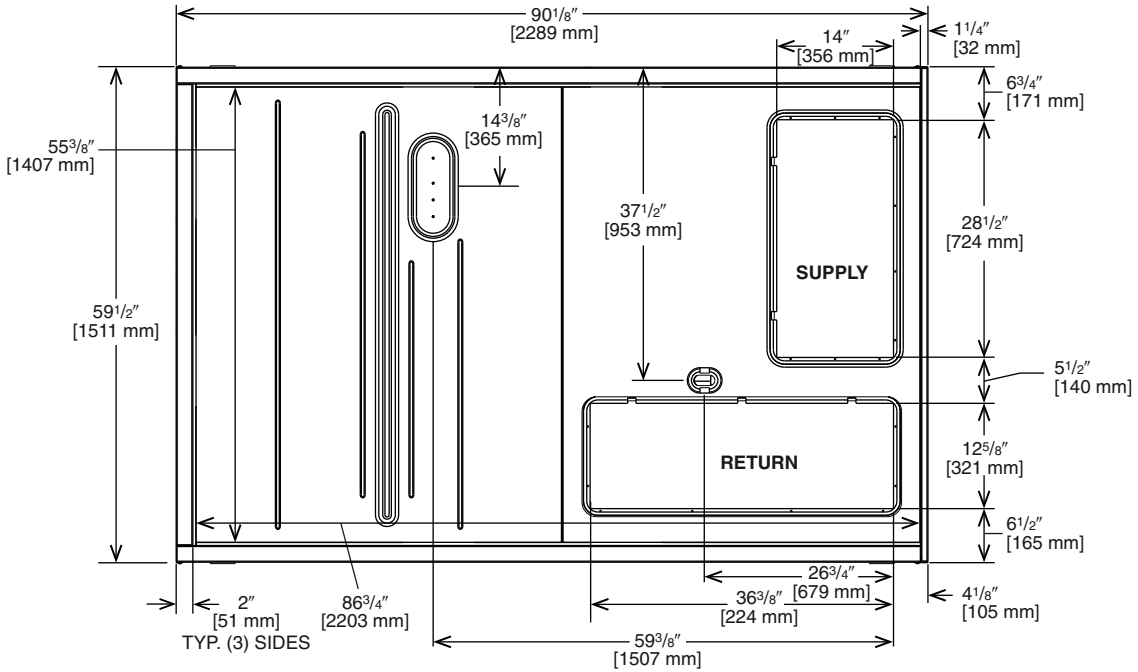
Illustration ST-A1273-01_D-00

[] Designates Metric Conversions

SUPPLY AND RETURN DIMENSIONS FOR HORIZONTAL APPLICATIONS



SUPPLY AND RETURN DIMENSIONS FOR DOWNFLOW APPLICATIONS



[] Designates Metric Conversions

WEIGHTS

Capacity Tons [kW]	Corner Weights by Percentage			
	A	B	C	D
7.5-12.5 [21.1-44.0]	26%	34%	17%	23%

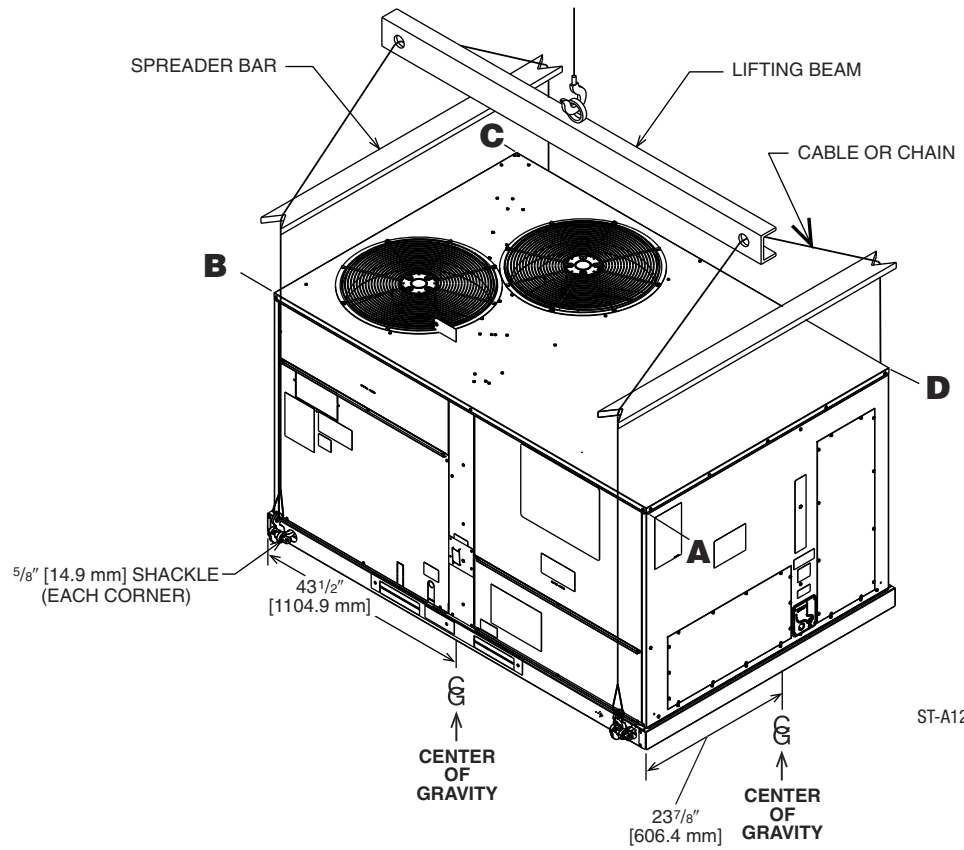


Illustration
ST-A1273-01_J-00

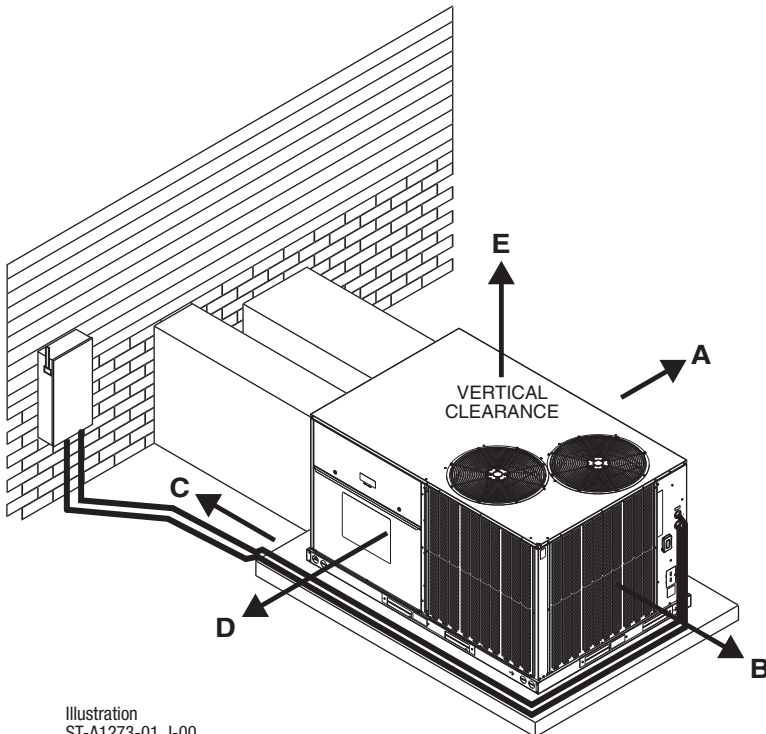


Illustration
ST-A1273-01_J-00

CLEARANCES

The following minimum clearances must be observed for proper unit performance and serviceability.

RECOMMENDED CLEARANCE In. [mm]	LOCATION
48 [1219]	A - FRONT
24 [609]	B - CONDENSER END
48 [1219] ①	C - DUCT END
24 [609] ②	D - FILTER SIDE
60 [1524]	E - ABOVE

① 18" [457 mm] MINIMUM IF DRAINPAN WILL NOT BE REMOVED.

② 48" [1219 MM] MINIMUM IF ECONOMIZER IS INSTALLED.



FIELD INSTALLED ACCESSORY EQUIPMENT (cont'd.)

Accessory	Model Number	Shipping Weight Lbs. [kg]	Installed Weight Lbs. [kg]	Factory Installation Available?
Economizer w/Single Enthalpy (Downflow)	RXRD-01MDDAM3	86 [39.0]	57 [25.9]	Yes
Economizer w/Single Enthalpy (Horizontal)	RXRD-01MDHAM3	84 [38.1]	55 [24.9]	Yes
Economizer-w/Single Enthalpy (Downflow) DDC	RXRD-01MDDBM3	86 [39.0]	57 [25.9]	No
Economizer w/Single Enthalpy (Horizontal) DDC	RXRD-01MDHBM3	84 [38.1]	55 [24.9]	No
Dual Enthalpy Kit	RXXR-BV01	1 [.5]	1 [.5]	No
Dual Enthalpy Kit DDC	RXXR-BV02	1 [.5]	1 [.5]	No
Carbon Dioxide Sensor (Wall Mount)	RXXR-AR02	3 [1.4]	2 [1.0]	No
Power Exhaust	RXXR-CDF01C	58 [26.3]	48 [21.8]	No
Power Exhaust	RXXR-CDF01D	50 [22.7]	44 [20.0]	No
Manual Fresh Air Damper	RXRF-ADA1	15 [6.8]	12 [5.4]	No
Motorized Fresh Air Damper	RXRF-ADB1	38 [17.2]	31 [14.06]	No
Motorized Fresh Air Damper (DDC)	RXRF-ADC1	38 [17.2]	31 [14.06]	No
Roofcurb, 14"	RXKG-DDD14	109 [49.4]	104 [47.2]	No
Roofcurb, 24"	RXKG-DDD24	145 [65.8]	140 [63.5]	No
Roofcurb Adapter	RXXR-DDCAE	235 [106.6]	215 [97.5]	No
Concentric Diffuser 7.5/8.5 Ton Flush	RXRN-AEF2000	235 [106.6]	215 [97.5]	No
Concentric Diffuser 10.0 Ton Flush	RXRN-AEF3415	30 [13.6]	25 [11.3]	No
Concentric Diffuser 12.5 Ton Flush	RXRN-AEF3618	250 [113.4]	130 [59]	No
Concentric Diffuser 7.5/8.5 Ton Drop	RXRN-AED2000	275 [124.7]	170 [77.1]	No
Concentric Diffuser 10.0 Ton Drop	RXRN-AED3415	35 [15.9]	30 [13.6]	No
Concentric Diffuser 12.5 Ton Drop	RXRN-AED3618	270 [122.5]	160 [72.6]	No
Concentric Adapter 7.5/8.5 Ton Drop	RXMC-DD01	300 [136.1]	180 [81.6]	No
Concentric Adapter 10 Ton Drop	RXMC-DD02	25 [11.3]	20 [9.1]	No
Concentric Adapter 12.5 Ton Drop	RXMC-DD03	75 [34]	65 [29.5]	No
Outdoor Coil Louver Kit - ACD/090/102/120	RXXR-ADD04A	52 [23.6]	47 [21.3]	Yes
Outdoor Coil Louver Kit - ACD150	RXXR-ADD04B	43 [19.5]	39 [17.7]	Yes
Unwired Convenience Outlet	RXXR-BN01	2 [1.0]	1.5 [.7]	Yes
Unfused Service Disconnect	RXXR-BP01	10 [4.5]	9 [4.1]	Yes
Comfort Alert (1 Per Compressor)	RXXR-AZ01 DDC	3 [1.5]	2 [0.9]	Yes
Comfort Alert (1 Per Compressor)	RXXR-AZ02	3 [1.5]	2 [0.9]	Yes
BACnet Communication Card	RXXR-AY01	1 [0.5]	1 [0.5]	No
LonWorks Communication Card	RXXR-AY02	1 [0.5]	1 [0.5]	No
Room Humidity Sensor	RHC-ZNS4	1 [0.5]	1 [0.5]	No
Room Temperature and Relative Humidity Sensor	RHC-ZNS5	1 [0.5]	1 [0.5]	No
Low-Ambient Control Kit	RXRZ-A04	4 [1.8]	3 [1.4]	Yes
Freeze Stat Kit	RXXR-AM01	2 [1.0]	1.5 [.7]	Yes

[] Designates Metric Conversions



FIELD INSTALLED ACCESSORY EQUIPMENT

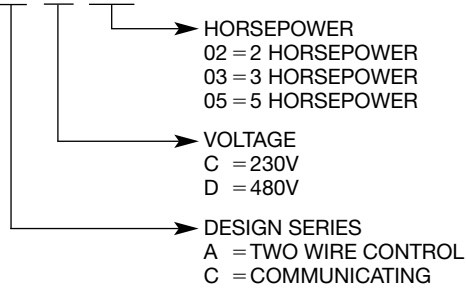
Accessory	Model Number	Shipping Weight Lbs. [kg]	Installed Weight Lbs. [kg]	Factory Installation Available?
Variable Frequency Drive Kit	RXRX-AC02	9.1 [4.1]	7.6 [3.4]	No
	RXRX-AC03	11.7 [5.3]	10.2 [4.6]	No
	RXRX-AC05	11.7 [5.3]	10.2 [4.6]	No
	RXRX-AD02	9.4 [4.3]	7.9 [3.6]	No
	RXRX-AD03	12.3 [5.6]	10.8 [4.9]	No
	RXRX-AD05	12.3 [5.6]	10.8 [4.9]	No
	RXRX-CC02	9.1 [4.1]	7.6 [3.4]	No
	RXRX-CC03	11.7 [5.3]	10.2 [4.6]	No
	RXRX-CC05	11.7 [5.3]	10.2 [4.6]	No
	RXRX-CD02	9.4 [4.3]	7.9 [3.6]	No
	RXRX-CD03	12.3 [5.6]	10.8 [4.9]	No
	RXRX-CD05	12.3 [5.6]	10.8 [4.9]	No
Electric Heater Kits	RXJJ-DD10CP	30 [13.6]	27.5 [12.5]	Yes
	RXJJ-DD15CP	32 [14.5]	29.5 [13.4]	Yes
	RXJJ-DD20CP	34 [15.4]	31.5 [14.3]	Yes
	RXJJ-DD30CP	37 [16.8]	34.5 [15.6]	Yes
	RXJJ-DD40CP	40 [18.1]	37.5 [17]	Yes
	RXJJ-DD10DNV	30 [13.6]	27.5 [12.5]	Yes
	RXJJ-DD15DNV	32 [14.5]	29.5 [13.4]	Yes
	RXJJ-DD20DNV	34 [15.4]	31.5 [14.3]	Yes
	RXJJ-DD30DNV	37 [16.8]	34.5 [15.6]	Yes
	RXJJ-DD40DNV	40 [18.1]	37.5 [17]	Yes
Single Point Wiring Kit	RXJX-AC0605	23 [10.4]	25 [11.3]	No
	RXJX-AC0805	24 [10.9]	26 [11.8]	No
	RXJX-AD0405	25 [11.3]	27 [12.2]	No
	RXJX-AD0605	25 [11.3]	27 [12.2]	No
	RXJX-AD0409	25 [11.3]	27 [12.2]	No
	RXJX-AC0909	26 [11.8]	28 [12.7]	No
	RXJX-AD0609	25 [11.3]	27 [12.2]	No

[] Designates Metric Conversions



VARIABLE FREQUENCY DRIVE KIT

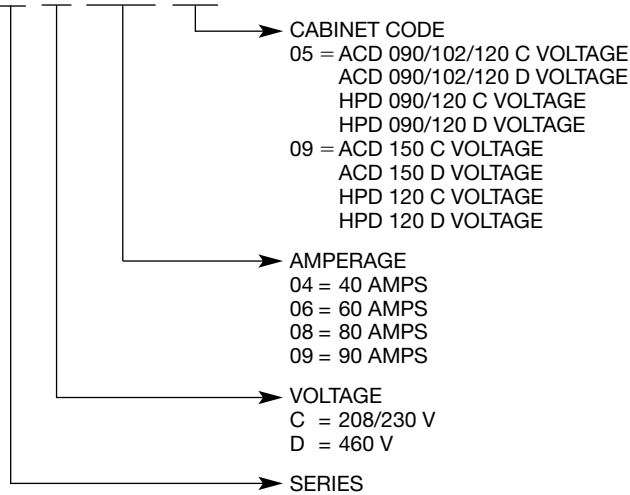
RXRX – A C 02



Kit Model Number	Volts	Unit Application
RXJX-AC0605	C Voltage 240V	ACD 090/102
RXJX-AC0805	C Voltage 240V	ACD 120
RXJX-AD0605	D Voltage 480/600V	ACD 090/102/120
RXJX-AC0805	C Voltage 240V	HPD 090/102
RXJX-AD0405	D Voltage 480/600V	HPD 090/102
RXJX-AC0909	C Voltage 240V	ACD 150
RXJX-AD0609	D Voltage 480/600V	ACD 150
RXJX-AC0909	C Voltage 240V	HPD 120
RXJX-AD0409	D Voltage 480/600V	HPD 120

SINGLE POINT WIRING KIT

RXJX – A C 090 09



FLUSH MOUNT ROOM TEMPERATURE SENSORS FOR NETWORKED DDC APPLICATIONS



ROOM TEMPERATURE SENSOR ZNS-101 with **TIMED OVERRIDE BUTTON**

10kΩ room temperature sensor transmits room temperature to DDC system. Timed override button allows tenant to change from unoccupied temperature setpoint to occupied temperature setpoint for a preset time.



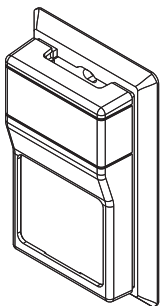
ROOM TEMPERATURE SENSOR ZNS-102 with **TIMED OVERRIDE BUTTON** and **STATUS INDICATOR**

10kΩ room temperature sensor transmits room temperature to DDC system. Timed override button allows tenant to change from unoccupied temperature setpoint to occupied temperature setpoint for a preset time. Status Indicator Light transmits ALARM flash code to occupied space.



ROOM TEMPERATURE SENSOR ZNS-103 with **SETPOINT ADJUSTMENT** and **TIMED OVERRIDE BUTTON**

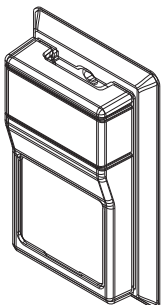
10kΩ room temperature sensor with setpoint adjustment transmits room temperature to DDC system along with desired occupied room temperature setpoint. Timed override button allows tenant to change from unoccupied temperature setpoint to occupied temperature setpoint for a preset time.



ROOM HUMIDITY SENSOR

RHC-ZNS4

Transmits room relative humidity to DDC System.



ROOM TEMPERATURE AND RELATIVE HUMIDITY SENSOR

RHC-ZNS5

Transmits room temperature and relative humidity to DDC System.

COMMUNICATION CARDS

Field Installed



BACnet® COMMUNICATION CARD RXX-AY01

The field installed BACnet® Communication Card allows the RTU-C unit controller to communicate with a third party building management system that supports the BACnet Application Specific Controller device profile. The BACnet® Communication Module plugs onto the unit RTU-C controller and allows communication between the RTU-C and the BACnet MSTP network.



LonWorks® COMMUNICATION CARD RXX-AY02

The field installed LonWorks® Communication Card allows the RTU-C unit controller to communicate with a third party building management system that supports the LonMark Space Comfort Controller (SCC) functional profile or LonMark Discharge Air Controller (DAC) functional profile. The LonMark Communication Module plugs onto the RTU-C controller and allows communication between the RTU-C and a LonWorks Network.



NON-DDC ECONOMIZER FOR DOWNFLOW DUCT INSTALLATION

Use to Select Factory Installed Options Only

RXRD-01MDDAM3—Single Enthalpy (Outdoor) and AXRD-SJCM3

Single Enthalpy with Smoke Detector

RXX-BV02—Dual Enthalpy Upgrade Kit

RXX-AR02—Optional Wall-Mounted CO₂ Sensor

- Features **Honeywell** Controls
- Available Factory Installed or Field Accessory
- Gear Driven Direct Drive Actuator
- Fully Modulating (0-100%)
- Low Leakage Dampers
- Slip-In Design for Easy Installation
- Standard Barometric Relief Damper
- Single Enthalpy with Dual Enthalpy Upgrade Kit Available
- CO₂ Input Sensor Available
- Field Assembled Hood Ships with Economizer
- Economizer Ships Complete for Downflow Duct Application.
- Optional Remote Minimum Position Potentiometer (270 ohm) (Honeywell #S963B1136) is Available from Prostock.
- Field Installed Power Exhaust Available
- Prewired for Smoke Detector
- If connected to a Building Automation System (BAS), all economizer functions can be viewed on the (BAS) or 16 x 2 LCD screen
- If connected to thermostat, all economizer functions can be viewed on 16 x 2 LCD screen

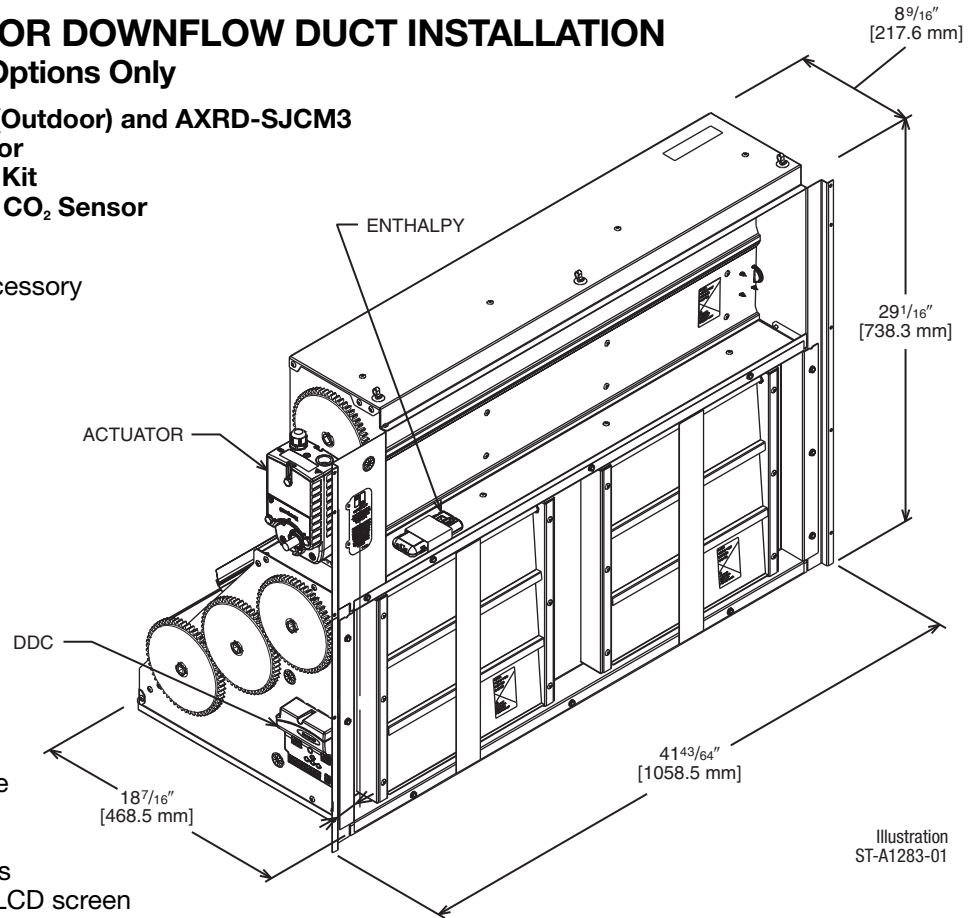
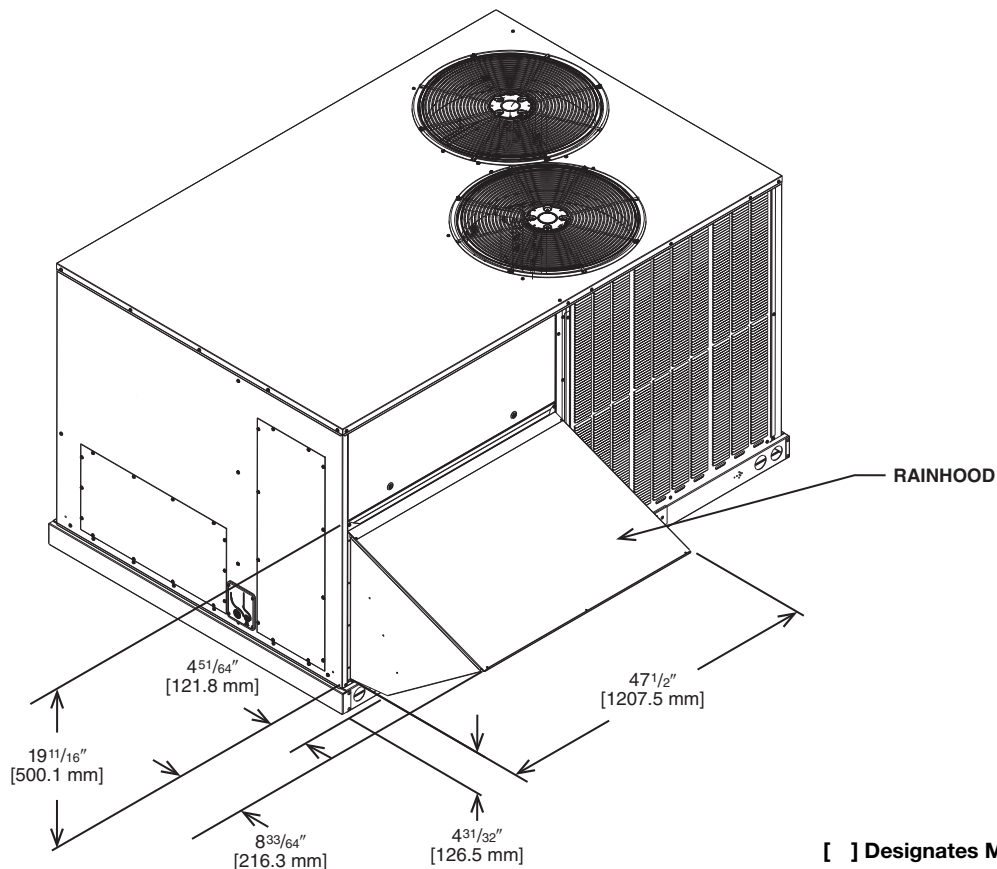


Illustration ST-A1273-01_G-00



[] Designates Metric Conversions



NON-DDC ECONOMIZER FOR HORIZONTAL DUCT INSTALLATION

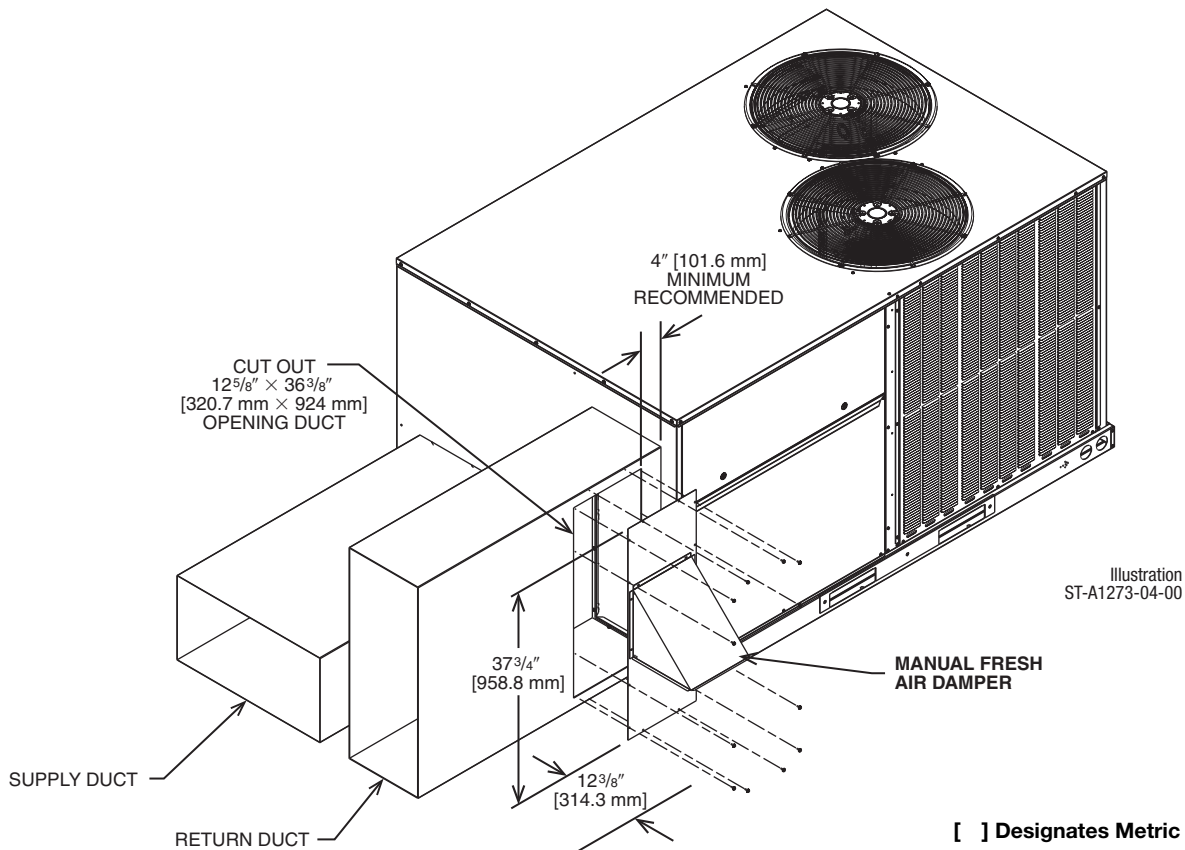
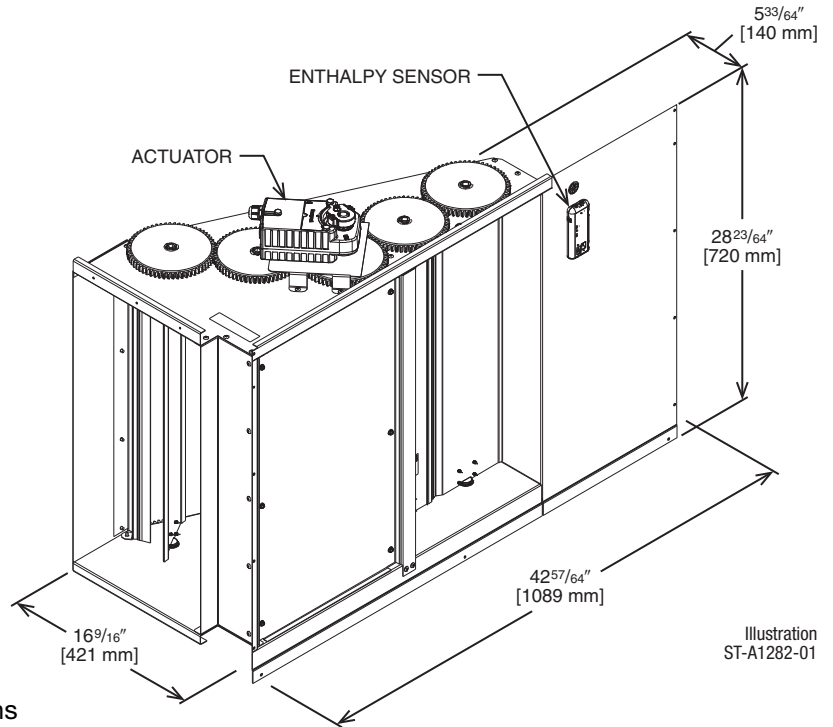
Field Installed Only

RXRD-01DAH3—Single Enthalpy (Outdoor)

RRRX-BV01—Dual Enthalpy Upgrade Kit

RRRX-AR02—Wall-mounted CO₂ Sensor

- Features **Honeywell** Controls
- Available as a Field Installed Accessory Only
- Gear Driven Direct Drive Actuator
- Fully Modulating (0-100%)
- Low Leakage Dampers
- Slip-In Design for Easy Installation
- Standard Barometric Relief Damper
- Single Enthalpy with Dual Enthalpy Upgrade Kit Available
- CO₂ Input Sensor Available
- Field Assembled Hood Ships with Economizer
- Economizer Ships Complete for Horizontal Duct Application
- Optional Remote Minimum Position Potentiometer (270 ohm) (Honeywell #S963B1136) is Available from Prostock
- Field Installed Power Exhaust Available
- If connected to a Building Automation System (BAS), all economizer functions can be viewed on the (BAS) or 16 x 2 LCD screen
- If connected to thermostat, all economizer functions can be viewed on 16 x 2 LCD screen



[] Designates Metric Conversions

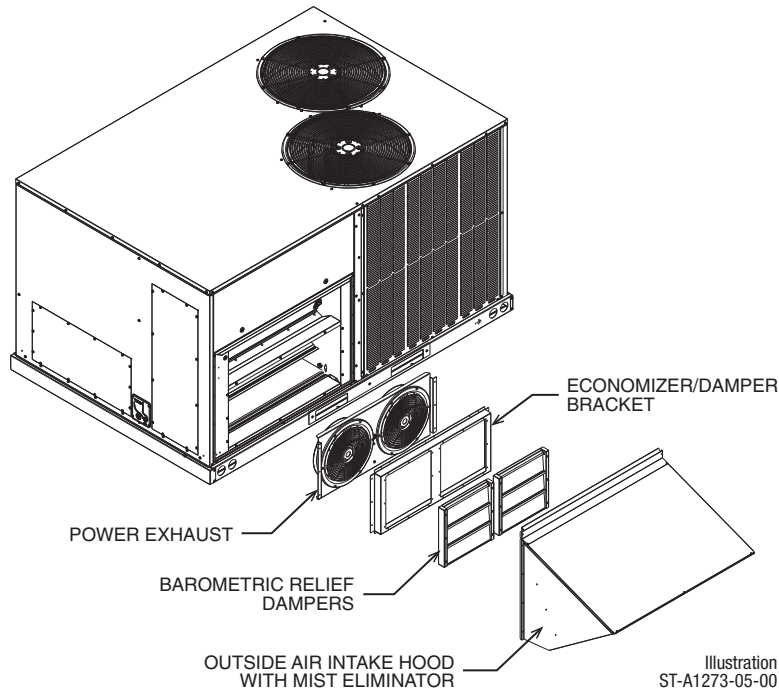


POWER EXHAUST KIT FOR RXRD-01MDDAM3, RXRD-01MDDDBM3, RXRD-01MDHAM3, RXRD-01MDHBM3 ECONOMIZERS

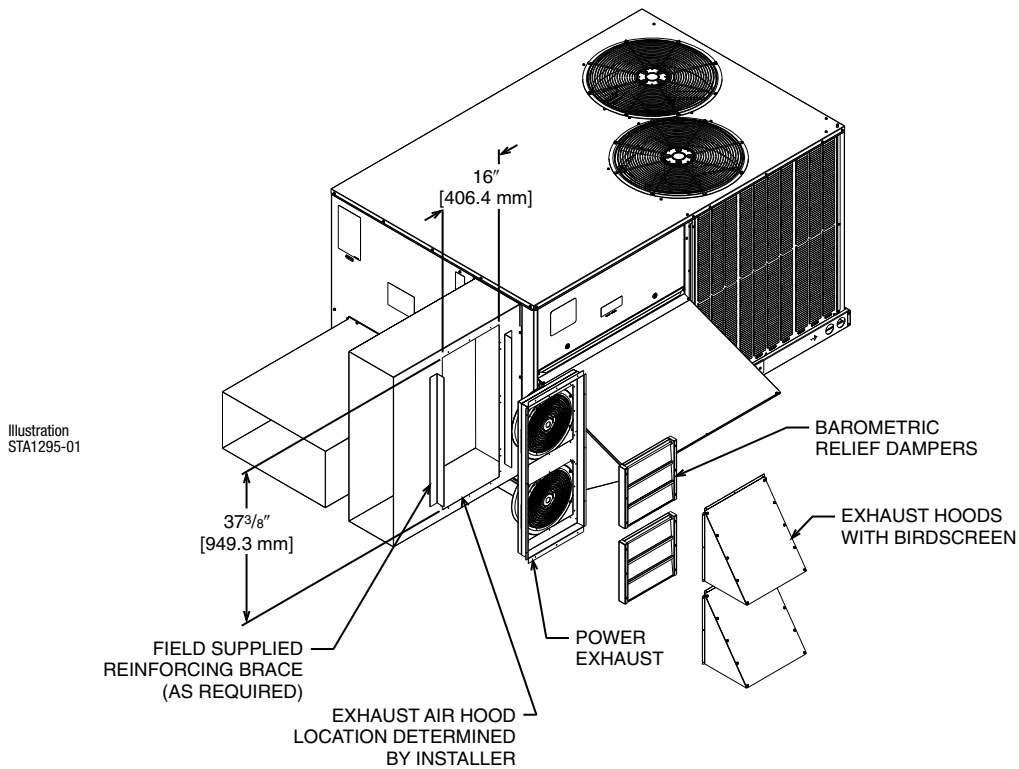
RXRX-CDF01

*Voltage Code

VERTICAL AIRFLOW



HORIZONTAL AIRFLOW



Model No.	No. of Fans	Volts	Phase	HP (ea.)	CFM [L/s]*	RPM	FLA (ea.)	LRA (ea.)
RXRX-CDF01C	2	208-230	1	0.47	2200	3000	1.55	1.1
RXRX-CDF01D	2	460	3	0.40	1970	2750	0.51	1.9

*CFM is per fan at 0" w.c. external static pressure.

[] Designates Metric Conversions



DDC—ECONOMIZER FOR DOWNFLOW DUCT INSTALLATION

Use to Select Field Installed Options Only

RXRD-01MDDBM3—Single Enthalpy (Outdoor)

RXXR-BV02—Dual Enthalpy Upgrade Kit

RXXR-AR02—Optional Wall-Mounted CO₂ Sensor

- Features **Honeywell** Controls
- Available Factory Installed or Field Accessory
- Gear Driven Direct Drive Actuator
- Fully Modulating (0-100%)
- Ultra Low Leak Dampers meet California Title 24 requirements
- Slip-In Design for Easy Installation
- Standard Barometric Relief Damper
- Single Enthalpy with Dual Enthalpy Upgrade Kit Available
- CO₂ Input Sensor Available
- Field Assembled Hood Ships with Economizer
- Economizer Ships Complete for Downflow Duct Application.
- Optional Remote Minimum Position Potentiometer (270 ohm) (Honeywell #S963B1136) is Available from Prostock.
- Field Installed Power Exhaust Available
- Prewired for Smoke Detector
- If connected to a Building Automation System (BAS), all economizer functions can be viewed on the (BAS), or 16 x 2 LCD screen
- If connected to thermostat, all economizer functions can be viewed on 16 x 2 LCD screen

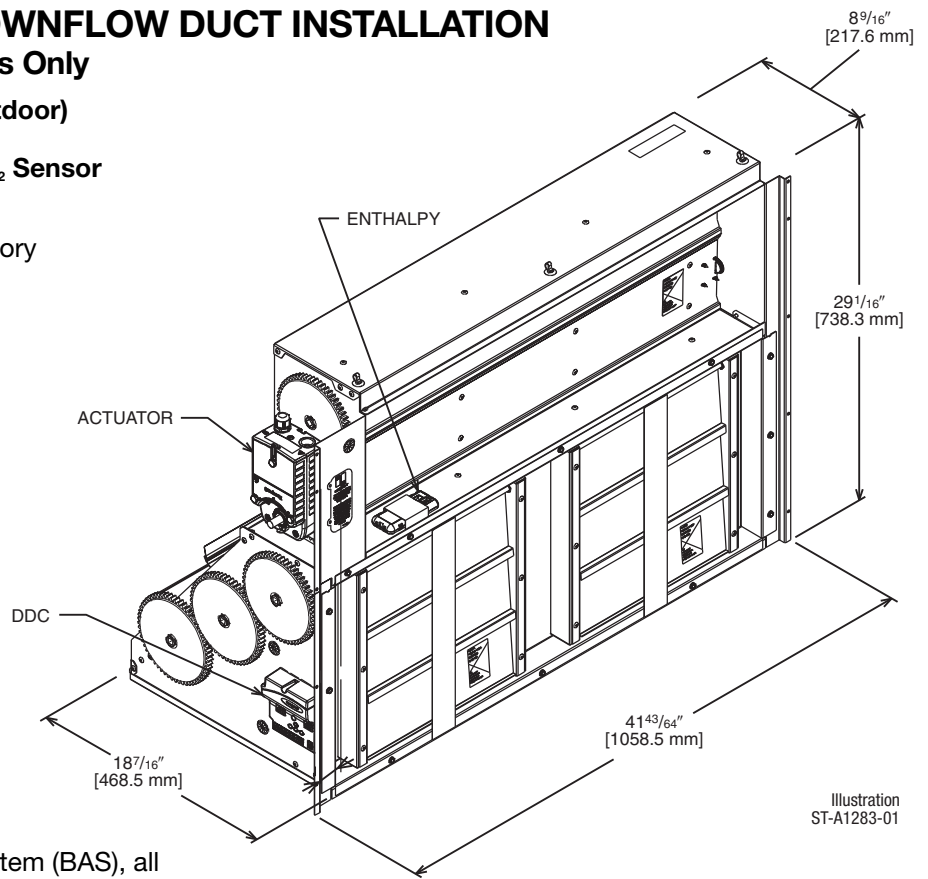


Illustration
ST-A1283-01

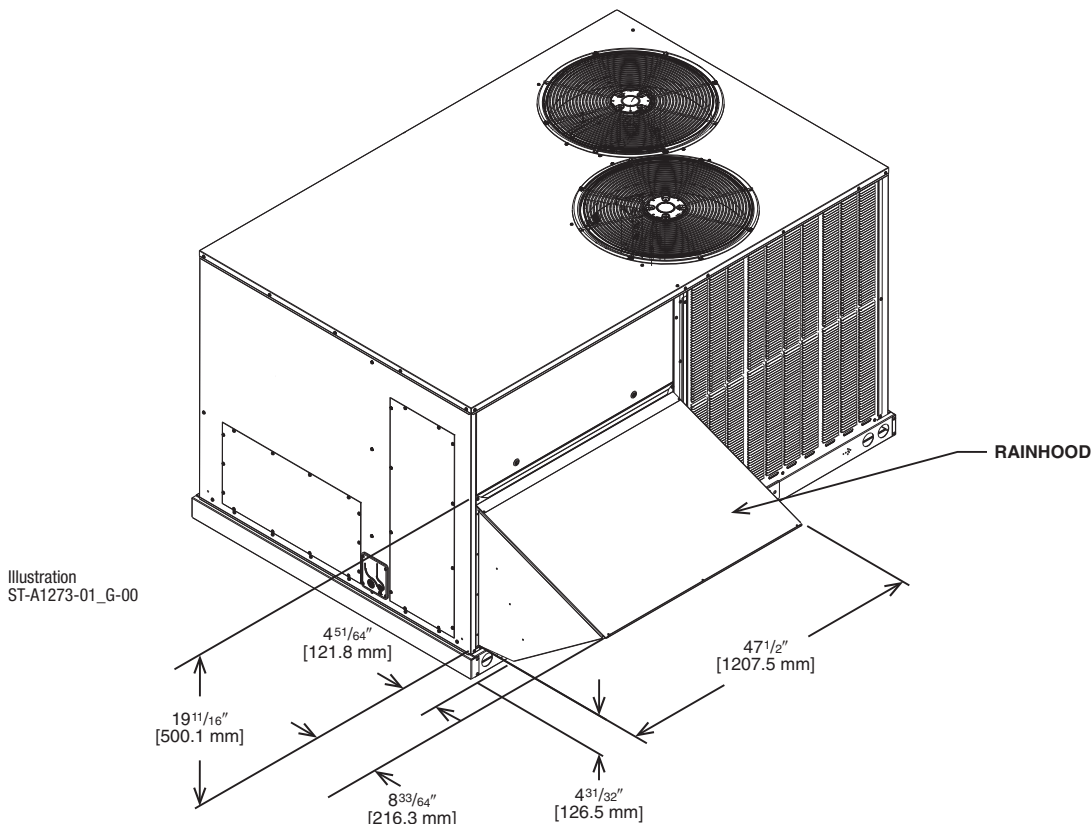


Illustration
ST-A1273-01_G-00

[] Designates Metric Conversions





DDC—ECONOMIZER FOR HORIZONTAL DUCT INSTALLATION

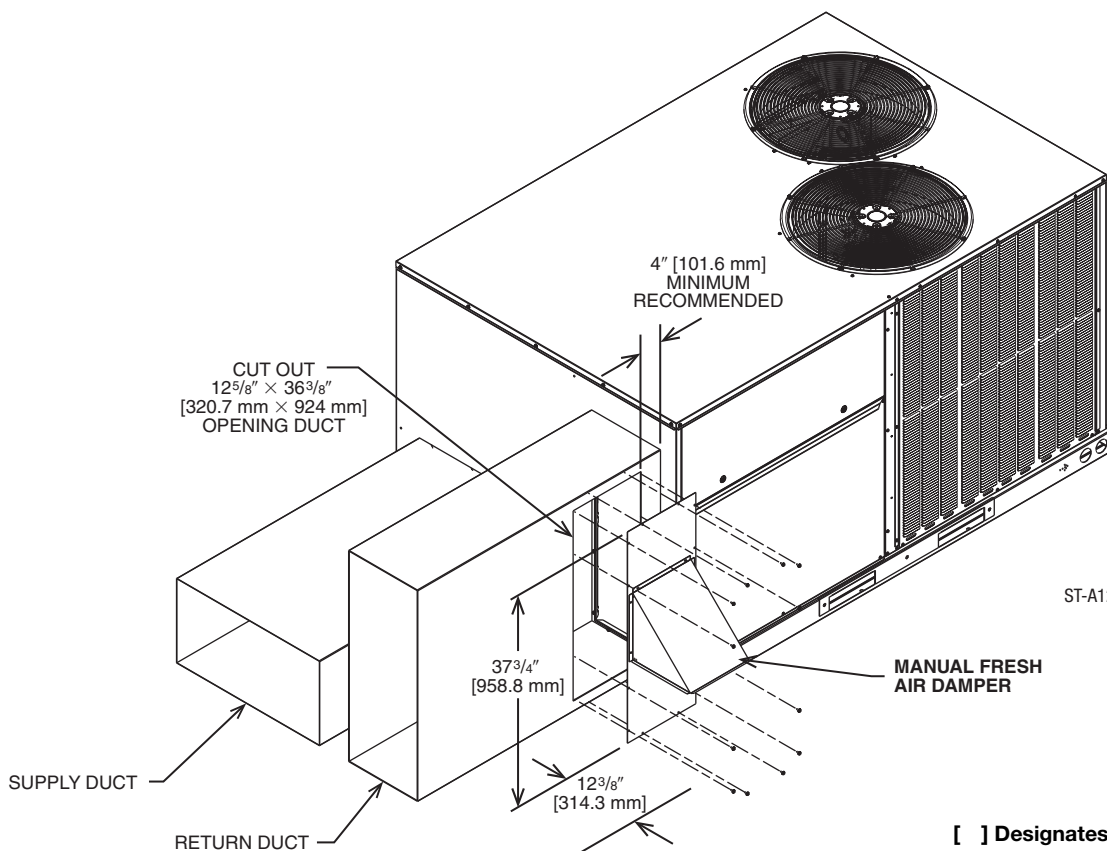
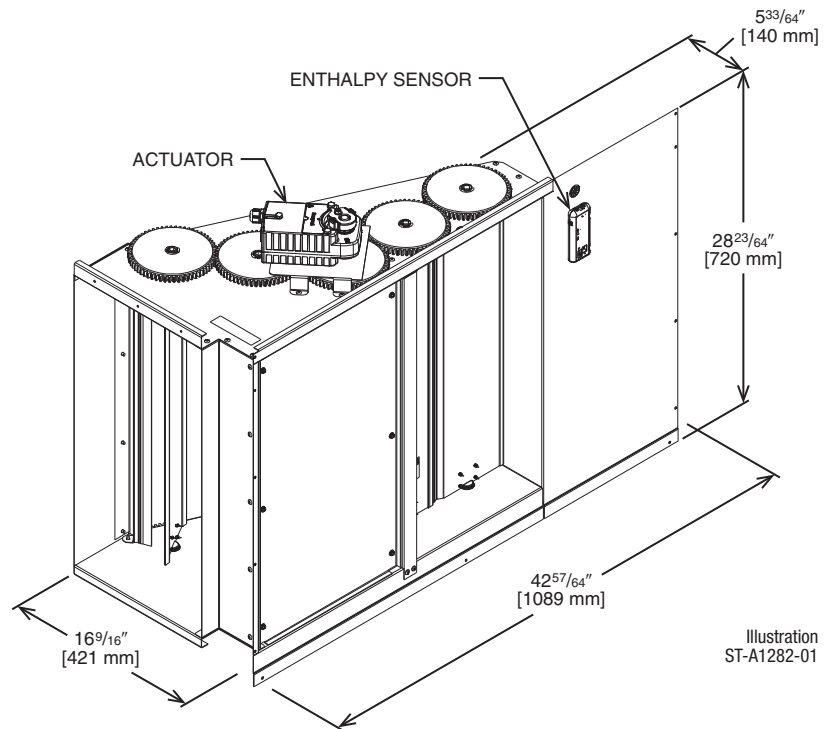
Field Installed Only

RXRD-01MDHBM3—Single Enthalpy (Outdoor)

RXRX-BV02—Dual Enthalpy Upgrade Kit

RXRX-AR02—Wall-mounted CO₂ Sensor

- Features **Honeywell** Controls
- Available as a Field Installed Accessory Only
- Gear Driven Direct Drive Actuator
- Fully Modulating (0-100%)
- Ultra Low Leak Dampers meet California Title 24 requirements
- Slip-In Design for Easy Installation
- Standard Barometric Relief Damper
- Single Enthalpy with Dual Enthalpy Upgrade Kit Available
- CO₂ Input Sensor Available
- Field Assembled Hood Ships with Economizer
- Economizer Ships Complete for Horizontal Duct Application
- Optional Remote Minimum Position Potentiometer (270 ohm) (Honeywell #S963B1136) is Available from Prostock
- Field Installed Power Exhaust Available
- If connected to a Building Automation System (BAS), all economizer functions can be viewed on the (BAS), or 16 x 2 LCD screen
- If connected to thermostat, all economizer functions can be viewed on 16 x 2 LCD screen



[] Designates Metric Conversions



FRESH AIR DAMPER

MOTORIZED DAMPER KIT RXRF-ADB1

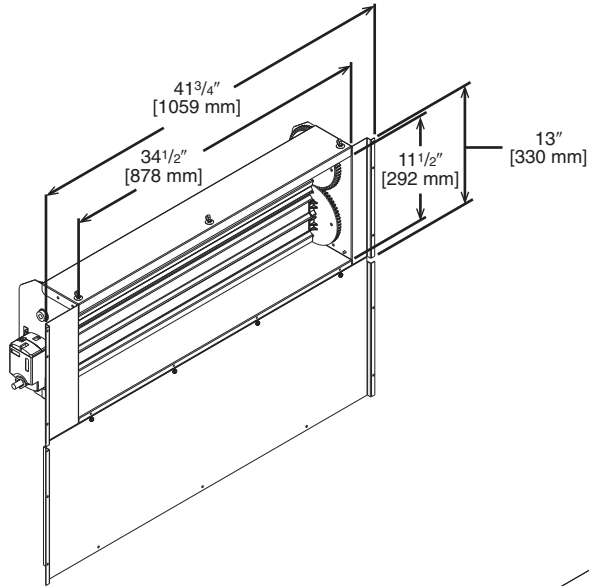


Illustration
ST-A1273-10-00

[] Designates Metric Conversions

MOTORIZED DAMPER KIT RXRX-ADC1 (Motor Kit for DDC Models)

RXRX-AW04 (Modulating Motor Kit w/position feedback for AXRF-KDA1)

- Features **Honeywell** Controls
- Gear Driven Direct Drive Actuator
- Fully Modulating (0-100%)
- Low Leakage Dampers
- Slip-In Design for Easy Installation
- Plug-In Polarized 12-pin and 4-pin Electrical Connections
- Pre-Configured—No Field Adjustments Necessary
- Addition of Dual Enthalpy Upgrade Kit allows limited economizer function
- CO₂ Sensor Input Available for Demand Control Ventilation (DCV)
- Optional Remote Minimum Position Potentiometer (270 ohm) (Honeywell #S963B1136) is available from Prostock
- All fresh air damper functions can be viewed at the RTU-C unit controller display
- If connected to a Building Automation System (BAS), all fresh air damper functions can be viewed on the (BAS)

[] Designates Metric Conversions

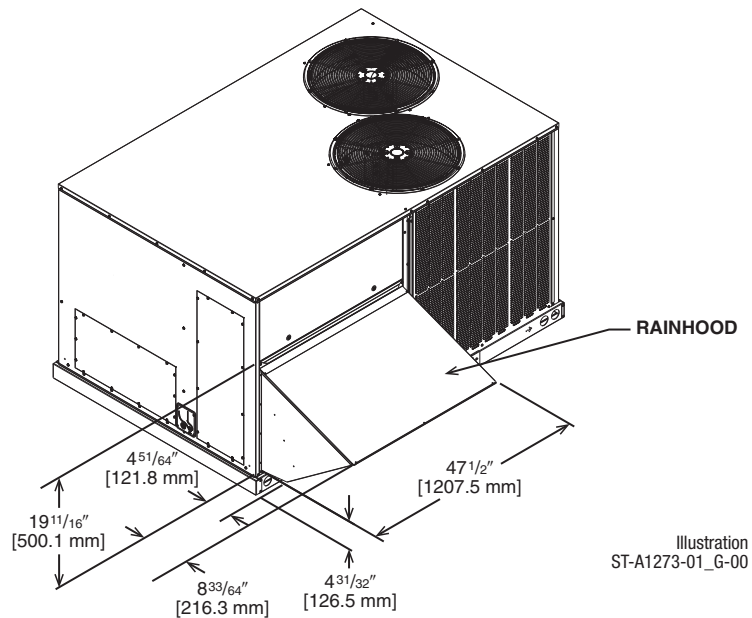


Illustration
ST-A1273-01_G-00



FRESH AIR DAMPER (Cont.)

RXRF-ADA1

DOWNFLOW APPLICATION

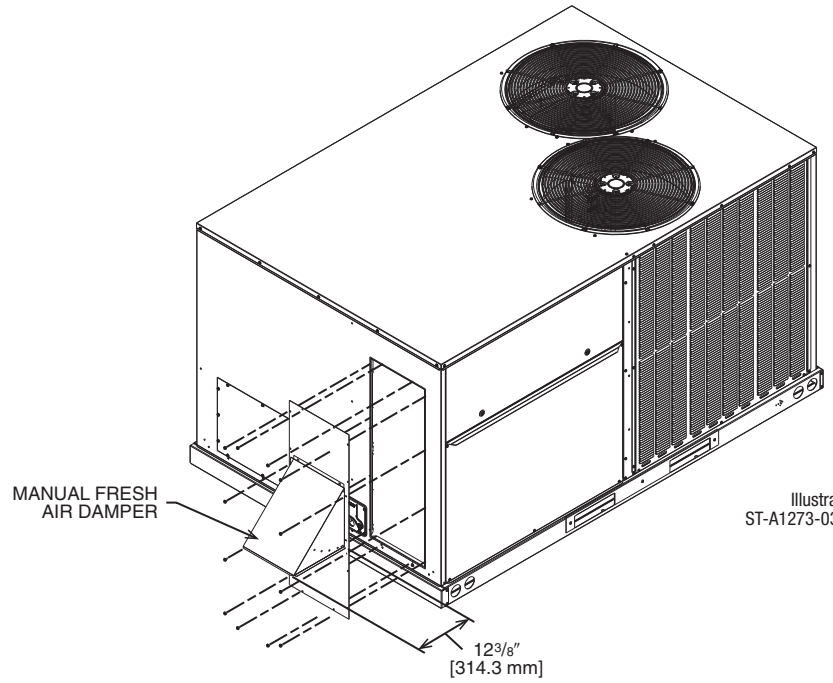


Illustration
ST-A1273-03-00

HORIZONTAL APPLICATION

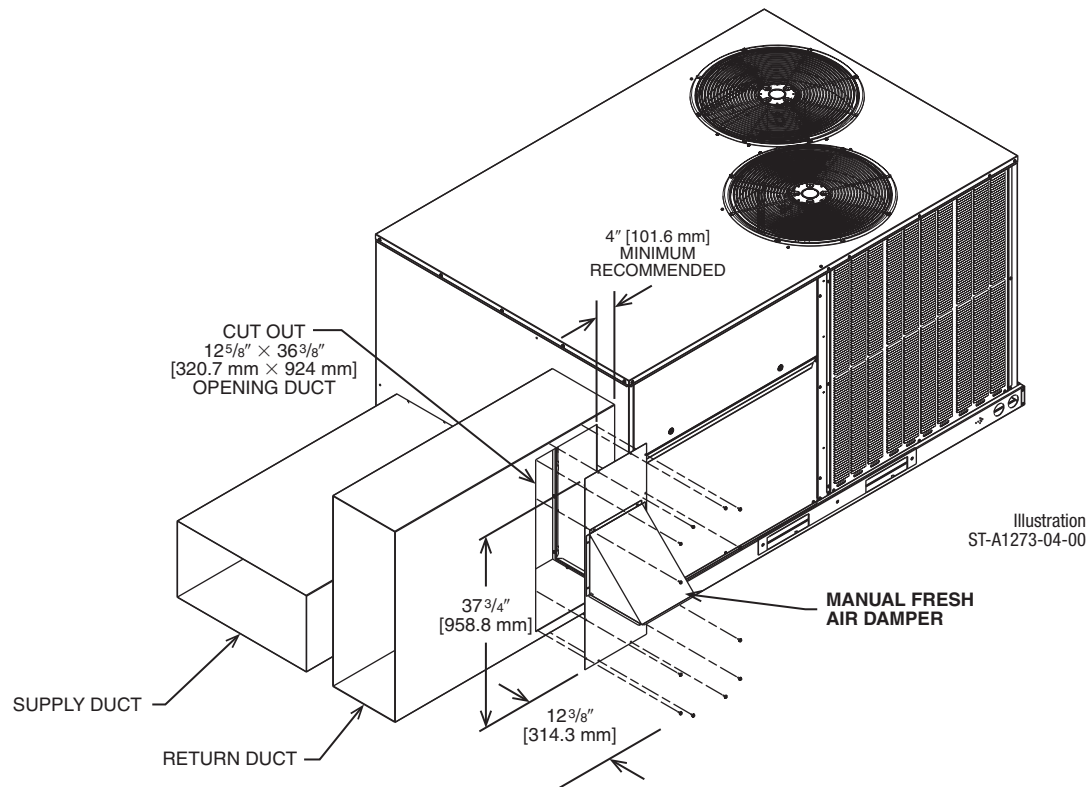
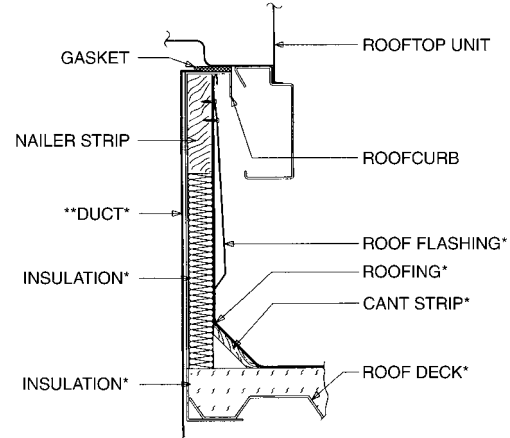


Illustration
ST-A1273-04-00

[] Designates Metric Conversions

ROOFCURBS (Full Perimeter)

- Rheem's roofcurb design can be utilized on all 7.5-10 ton [26.4-35.1 kW] RHPD.
- Two available heights (14" [356 mm] and 24" [610 mm]) for ALL models.
- Quick assembly corners for simple and fast assembly.
- Opening provided in bottom pan to match the "Thru the Curb" electrical connection opening provided on the unit base pan.
- 1" [25 mm] x 4" [102 mm] Nailers provided.
- Insulating panels not required because of insulated outdoor base pan.
- Sealing gasket (40' [12.2 m]) provided with Roofcurb.
- Packaged for easy field assembly.



*BY CONTRACTOR
 **FOR INSTALLATION OF DUCT AS SHOWN, USE RECOMMENDED DUCT SIZES FROM ROOFCURB INSTALLATION INSTRUCTIONS. FOR DUCT FLANGE ATTACHMENT TO UNIT, SEE UNIT INSTALLATION INSTRUCTIONS FOR RECOMMENDED DUCT SIZES.

Illustration
 ST-A0743-02

Roofcurb Model	Height of Curb
RXKG-DDD14	14" [356 mm]
RXKG-DDD24	24" [610 mm]

ROOFCURB INSTALLATION

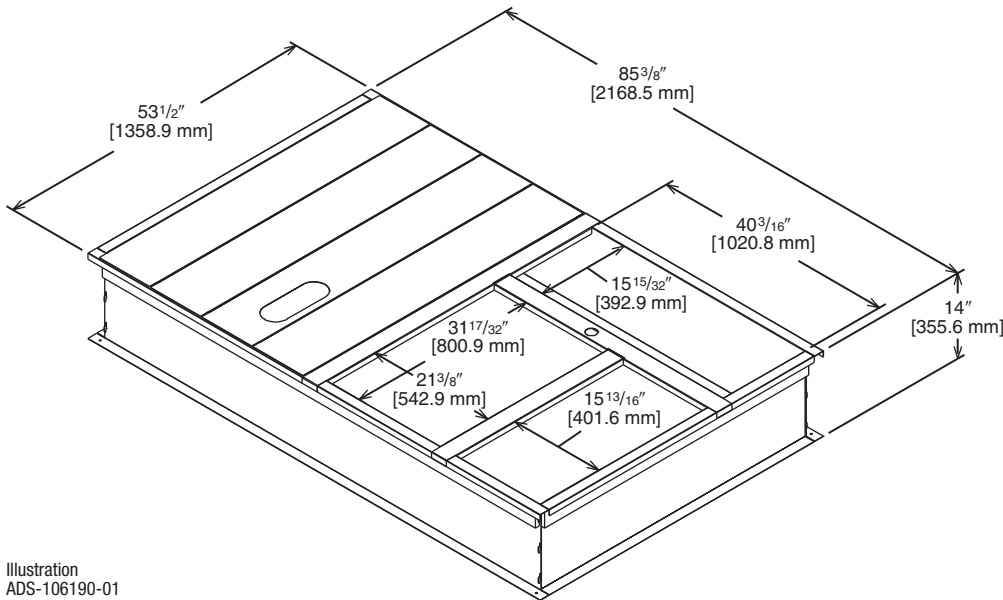


Illustration
 ADS-106190-01

[] Designates Metric Conversions

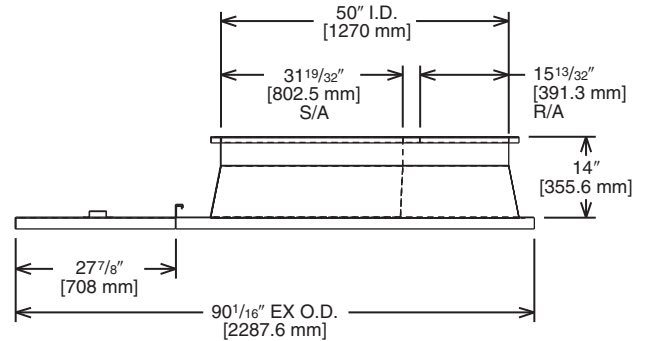
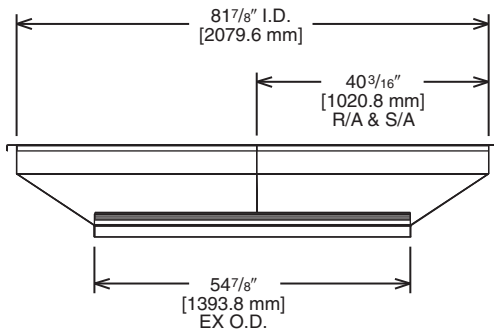
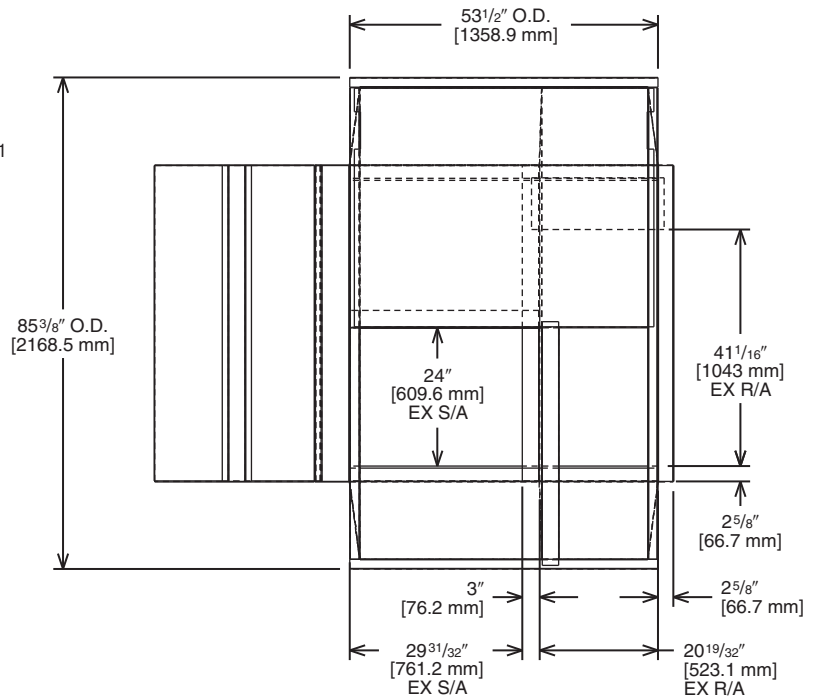
ROOFCURB ADAPTERS (Cont.)

RXXR-DDCAE

Illustration
 ADS-106176-01
 SHEET 2

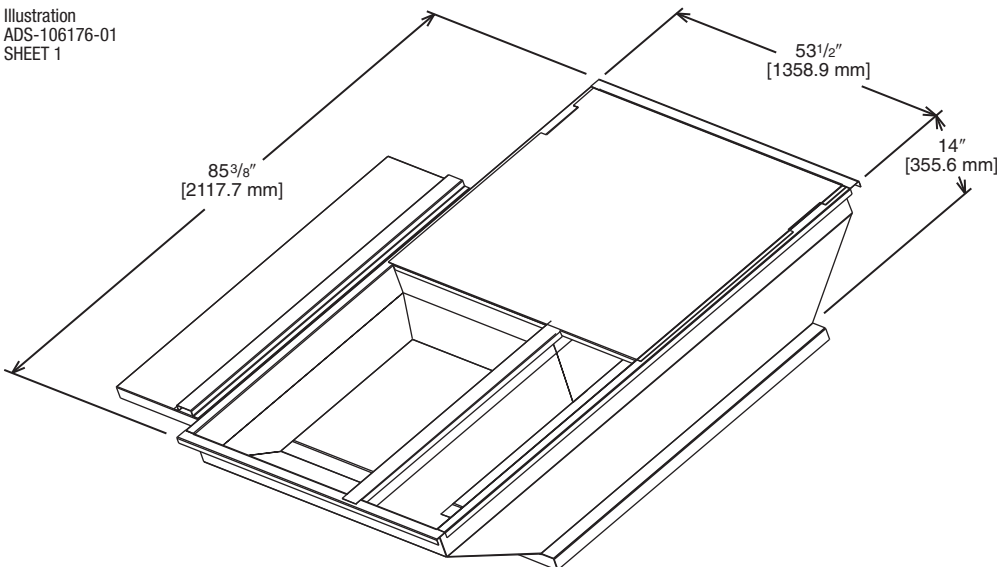
APPROXIMATE STATIC PRESSURE DROP

@2,000 = 0.06" w.g.
@3,000 = 0.12" w.g.
@4,000 = 0.22" w.g.
@5,000 = 0.36" w.g.



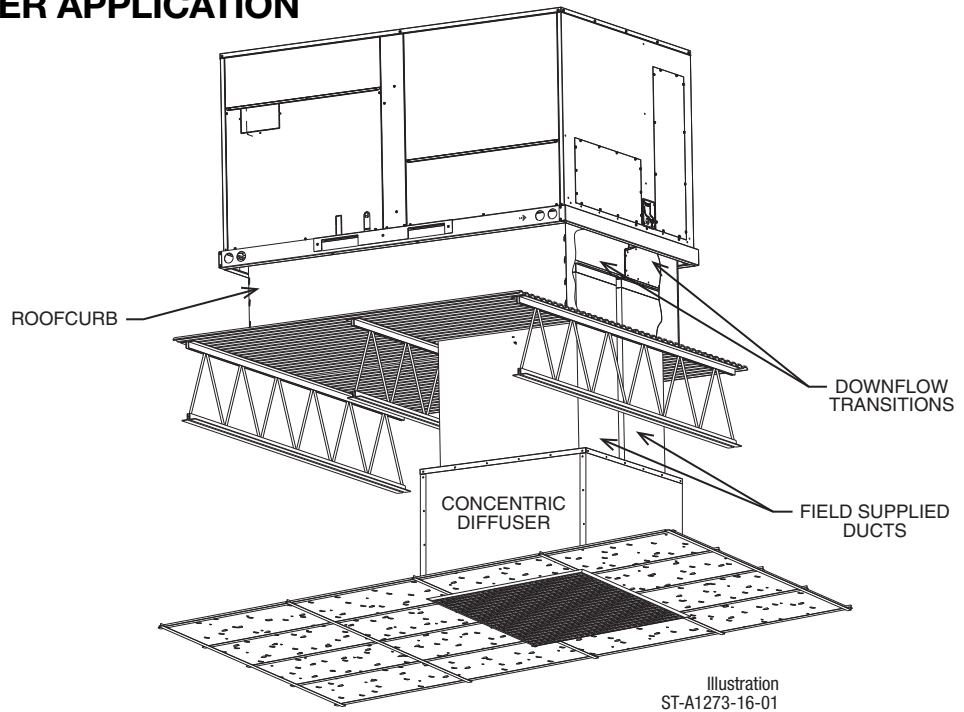
TOP VIEW

Illustration
 ADS-106176-01
 SHEET 1



[] Designates Metric Conversions

CONCENTRIC DIFFUSER APPLICATION



DOWNFLOW TRANSITION DRAWINGS

RXMC-DD02

- Used with RXRN-AEF3415 or RXRN-AED3415 Concentric Diffusers.

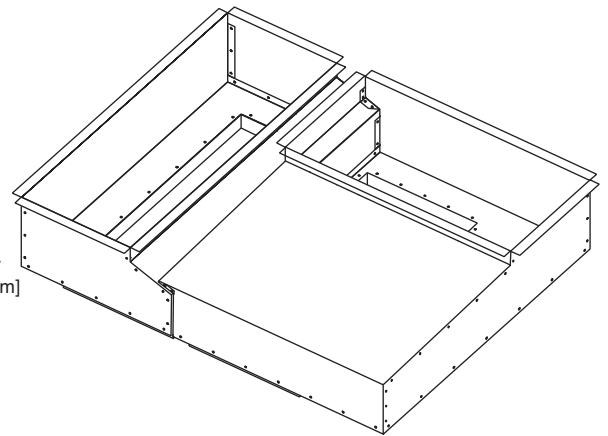
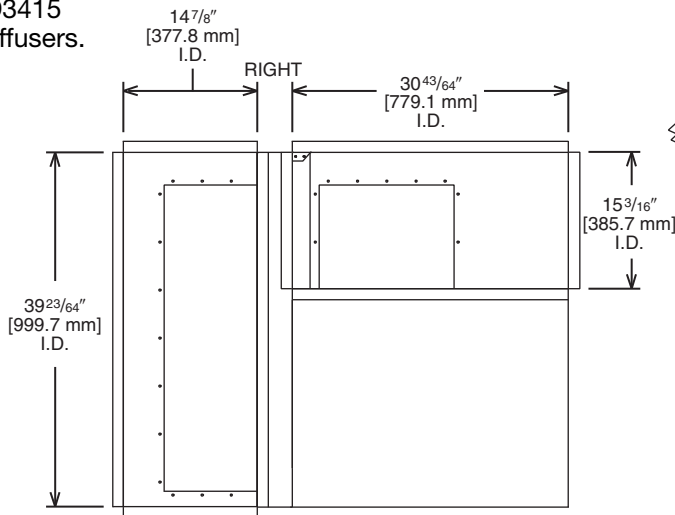
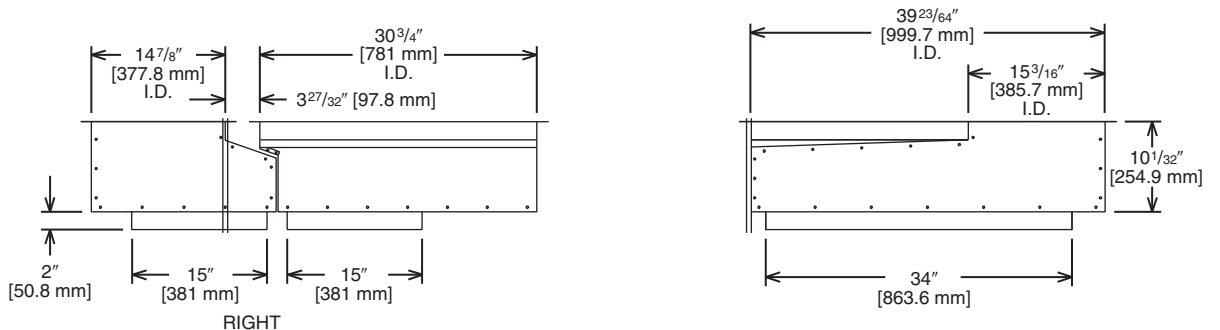


Illustration ADS-106193-02



[] Designates Metric Conversions

DOWNFLOW TRANSITION DRAWINGS (Cont.)

RXMC-DD03

- Used with RXRN-AEF3618
or RXRN-AED3618
Concentric Diffusers.

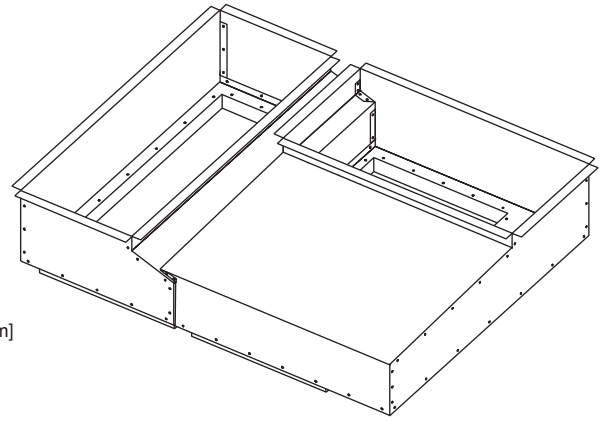
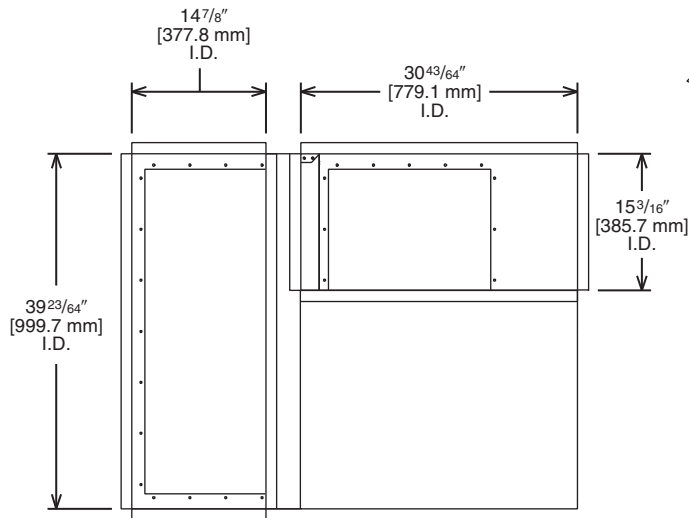
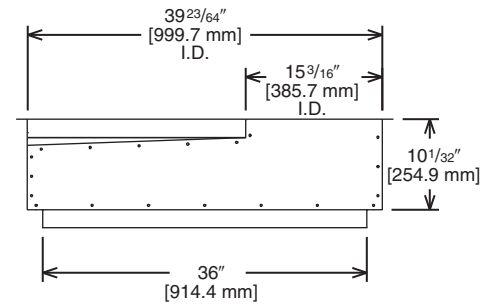
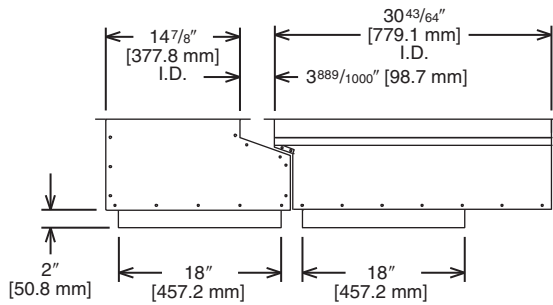


Illustration
ADS-106193-03



[] Designates Metric Conversions

DOWNFLOW TRANSITION DRAWINGS (Cont.)

RXMC-DD01

- Used with RXRN-AEF2000
or RXRN-AED2000
Concentric Diffusers.

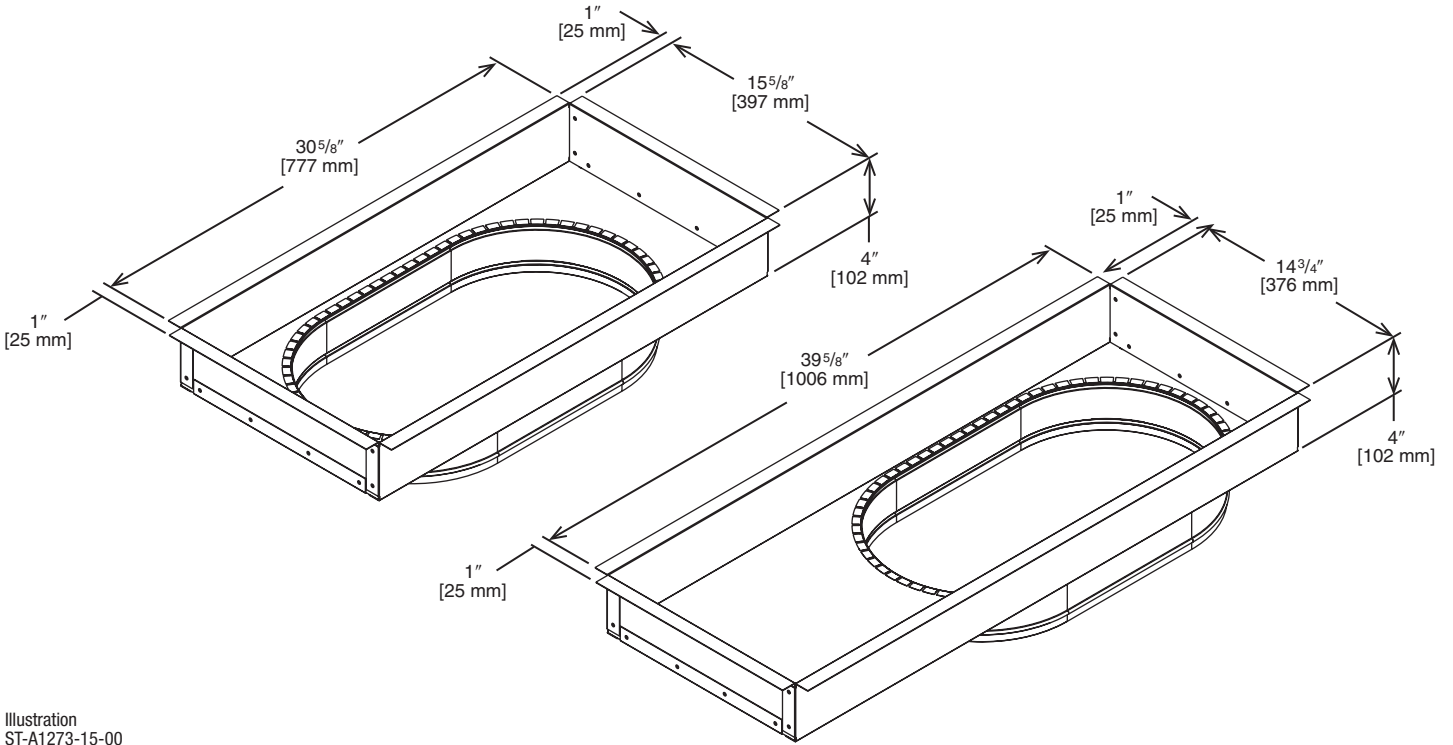


Illustration
ST-A1273-15-00

[] Designates Metric Conversions

CONCENTRIC DIFFUSER – STEP DOWN

RXRN-AED2000 (7.5 & 8.5 Ton [26.4 & 29.9 kW] Models)

For Use With Downflow Transition (RXMC-DD01)
 and 20" [508 mm] Round Supply and Return Ducts

- All aluminum diffuser with aluminum return air eggcrate.
- Built-in anti-sweat gasket.
- Molded fiberglass supports.
- Built-in hanging supports.
- Diffuser box constructed of sheetmetal insulated with 1" [25.4 mm] 1.5 lbs. [.7 kg] duct liner.

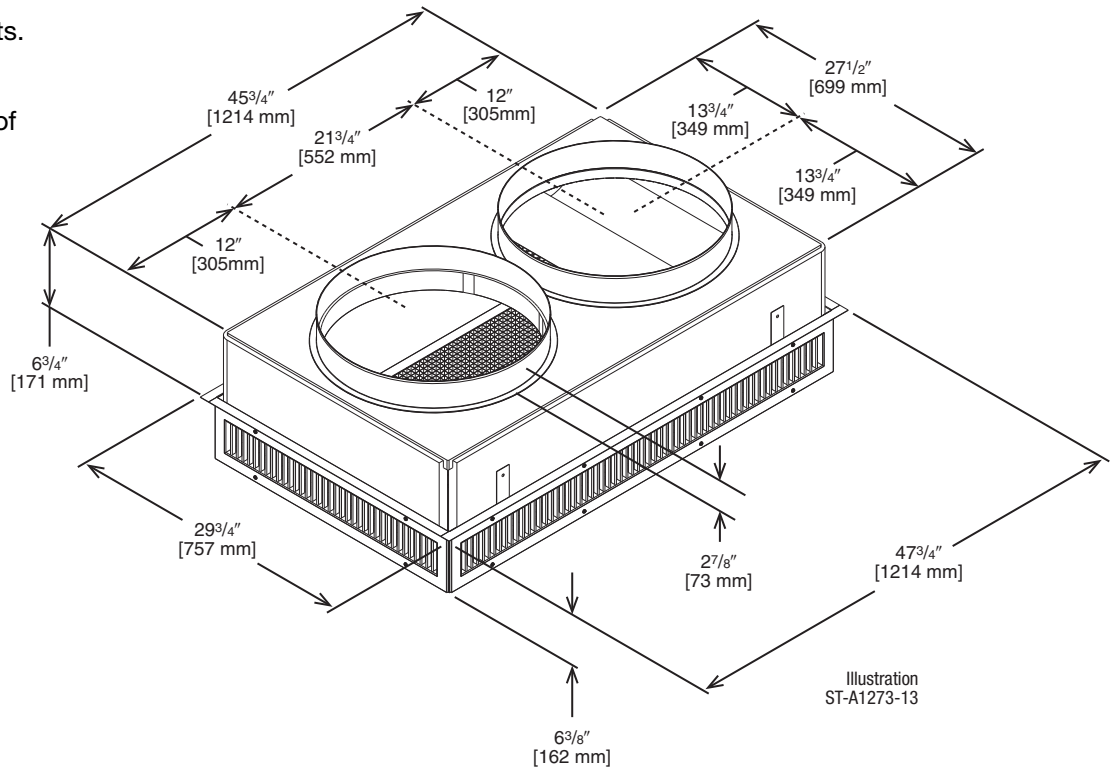


Illustration
ST-A1273-13

ENGINEERING DATA^①

Model No.	Flow Rate CFM [L/s]	Throw ^{② ③} Feet [m]	Neck Velocity fpm [m/s]	Noise Level ^④ (dbA)
RXRN-AED2000	2600 [1222]	22-39 [6.7-11.9]	669 [3.4]	32
	2800 [1316]	23-40 [7.1-12.2]	720 [3.7]	38
	3000 [1410]	25-42 [7.6-12.8]	772 [3.9]	40
	3200 [1504]	26-43 [7.9-13.1]	823 [4.2]	41
	3400 [1598]	27-45 [8.2-13.7]	874 [4.4]	42
	3600 [1692]	30-50 [9.1-15.2]	925.5 [4.7]	45
	3800 [1786]	32-53 [9.8-16.2]	976.8 [4.9]	48
	4000 [1880]	34-56 [10.4-17.1]	1028.1 [5.2]	50

- NOTES: ① All data is based on the air diffusion council guidelines.
 ② Throw data is based on 75 FPM Terminal Velocities using isothermal air.
 ③ Throw is based on diffuser blades being directed in a straight pattern.
 ④ Actual noise levels may vary due to duct design and do not include transmitted unit noise.
 Adequate duct attenuation must be provided to reduce sound output from the unit.

[] Designates Metric Conversions

CONCENTRIC DIFFUSER—STEP DOWN

15" x 34" [381 x 836 mm]

RXRN-AED3415 (8.5 & 10 Ton [29.9 kW & 35.2] Models)

For Use With Downflow Transition (RXMC-DD02) and 15" x 34" [381 x 836 mm] Supply and Return Ducts

- All aluminum diffuser with aluminum return air eggcrate.
- Built-in anti-sweat gasket.
- Molded fiberglass supports.
- Built-in hanging supports.
- Diffuser box constructed of sheetmetal insulated with 1" [25.4 mm] 1.5 lbs. [.7 kg] duct liner.
- Double deflection diffuser with the blades secured by spring steel.

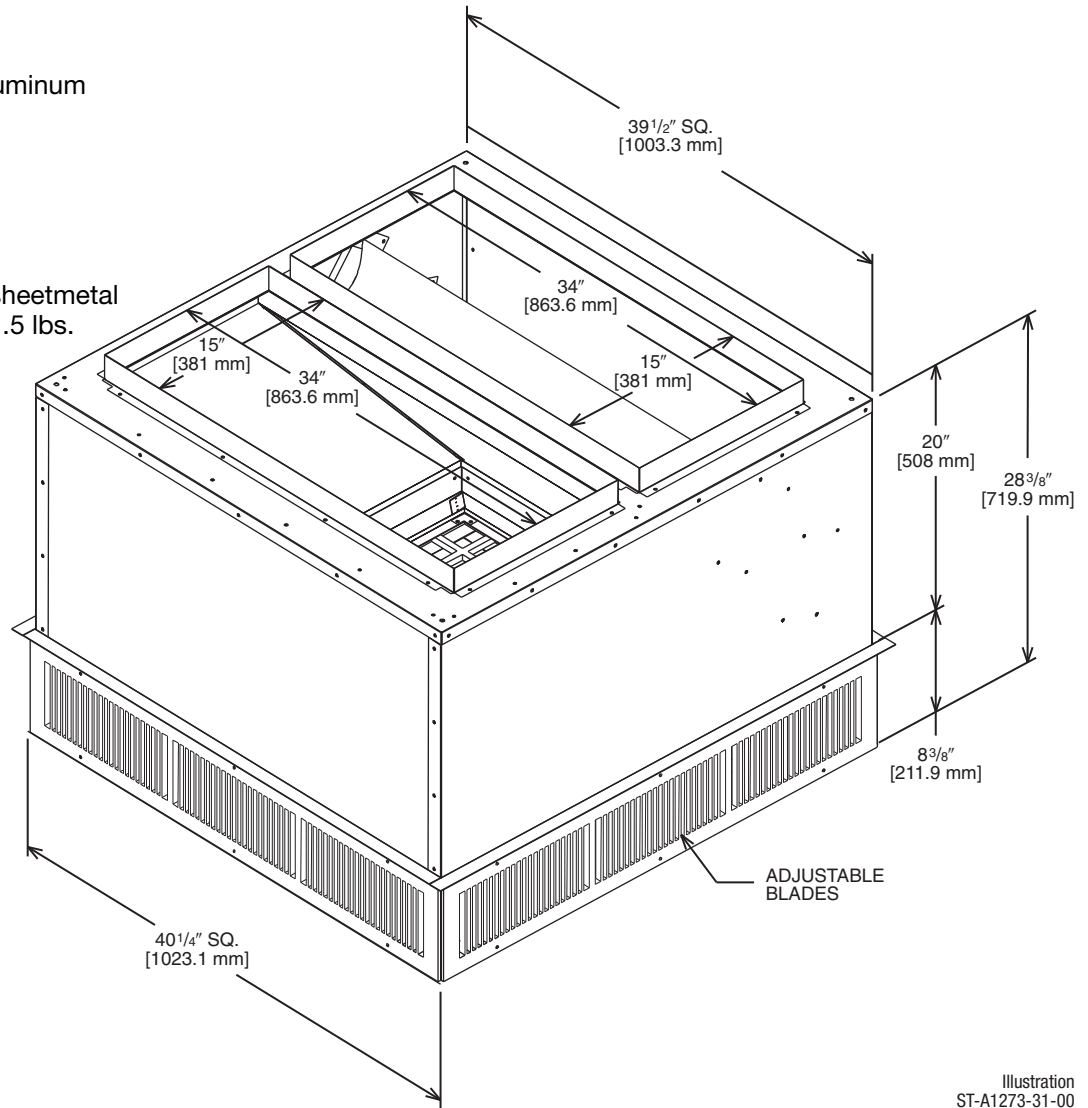


Illustration
ST-A1273-31-00

ENGINEERING DATA^①

Model No.	Flow Rate CFM [L/s]	Throw ^{② ③} Feet [m]	Neck Velocity fpm [m/s]	Noise Level ^④ (dbA)
RXRN-AED3415	3600 [1692]	26-53 [7.9-16.2]	851 [4.3]	27
	3800 [1786]	27-55 [8.2-16.8]	898 [4.5]	29
	4000 [1880]	29-58 [8.8-17.7]	946 [4.8]	30
	4200 [1974]	31-61 [9.4-18.6]	993 [5.1]	32
	4400 [2068]	32-64 [9.8-19.5]	1040 [5.3]	33
	4600 [2162]	34-66 [10.4-20.1]	1087.5 [5.5]	35

- NOTES: ① All data is based on the air diffusion council guidelines.
 ② Throw data is based on 75 FPM Terminal Velocities using isothermal air.
 ③ Throw is based on diffuser blades being directed in a straight pattern.
 ④ Actual noise levels may vary due to duct design and do not include transmitted unit noise. Adequate duct attenuation must be provided to reduce sound output from the unit.

[] Designates Metric Conversions

CONCENTRIC DIFFUSER – STEP DOWN 18" x 36" [457 x 914 mm]

RXRN-AED3618 (12.5 & 15 Ton [44.0 & 52.8 kW] Models)

For Use With Downflow Transition (RXMC-DD03)
and 18" x 36" [457 x 914 mm]
Supply and Return Ducts

- All aluminum diffuser with aluminum return air eggcrate.
- Built-in anti-sweat gasket.
- Molded fiberglass supports.
- Built-in hanging supports.
- Diffuser box constructed of sheetmetal insulated with 1" [25.4 mm] 1.5 lbs. [.7 kg] duct liner.
- Double deflection diffuser with the blades secured by spring steel.

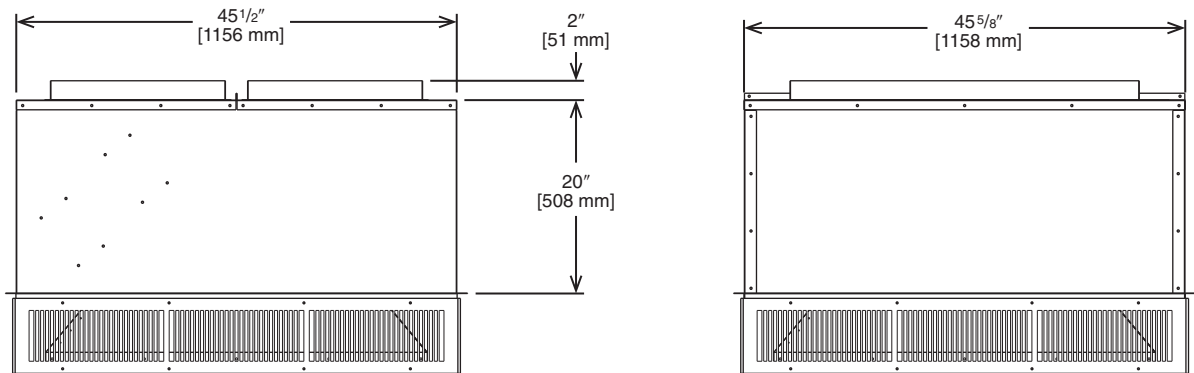
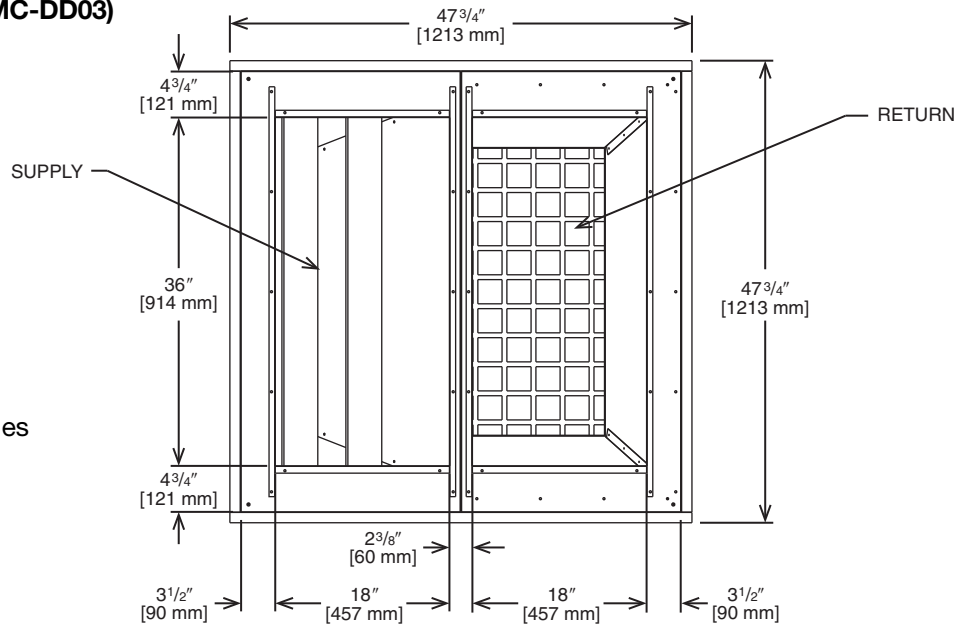


Illustration
ST-A1273-11-00

ENGINEERING DATA^①

Model No.	Flow Rate CFM [L/s]	Throw ^{②③} Feet [m]	Neck Velocity fpm [m/s]	Noise Level ^④ (dba)
RXRN-AED3618	4400 [2068]	29-55 [8.8-16.8]	841 [4.3]	26
	4600 [2162]	31-57 [9.4-17.4]	875 [4.4]	28
	4800 [2256]	32-60 [9.8-18.3]	915 [4.6]	29
	5000 [2350]	33-62 [10.1-18.9]	951 [4.8]	30
	5200 [2444]	34-65 [10.4-19.8]	988 [5.1]	31
	5400 [2538]	36-67 [10.9-20.4]	1025 [5.2]	32

- NOTES: ① All data is based on the air diffusion council guidelines.
 ② Throw data is based on 75 FPM Terminal Velocities using isothermal air.
 ③ Throw is based on diffuser blades being directed in a straight pattern.
 ④ Actual noise levels may vary due to duct design and do not include transmitted unit noise. Adequate duct attenuation must be provided to reduce sound output from the unit.

[] Designates Metric Conversions

FLUSH MOUNT CONCENTRIC DIFFUSER—FLUSH

RXRN-AEF2000 (7.5 & 8.5 Ton [26.4 & 29.9 kW] Models)

For Use With Downflow Transition (RXMC-DD01)
20" [508 mm] Round Supply and Return Ducts

- All aluminum diffuser with aluminum return air eggcrate.
- Built-in anti-sweat gasket.
- Molded fiberglass supports.
- Built-in hanging supports.
- Diffuser box constructed of sheetmetal insulated with 1" [25.4 mm] 1.5 lbs. [.7 kg] duct liner.

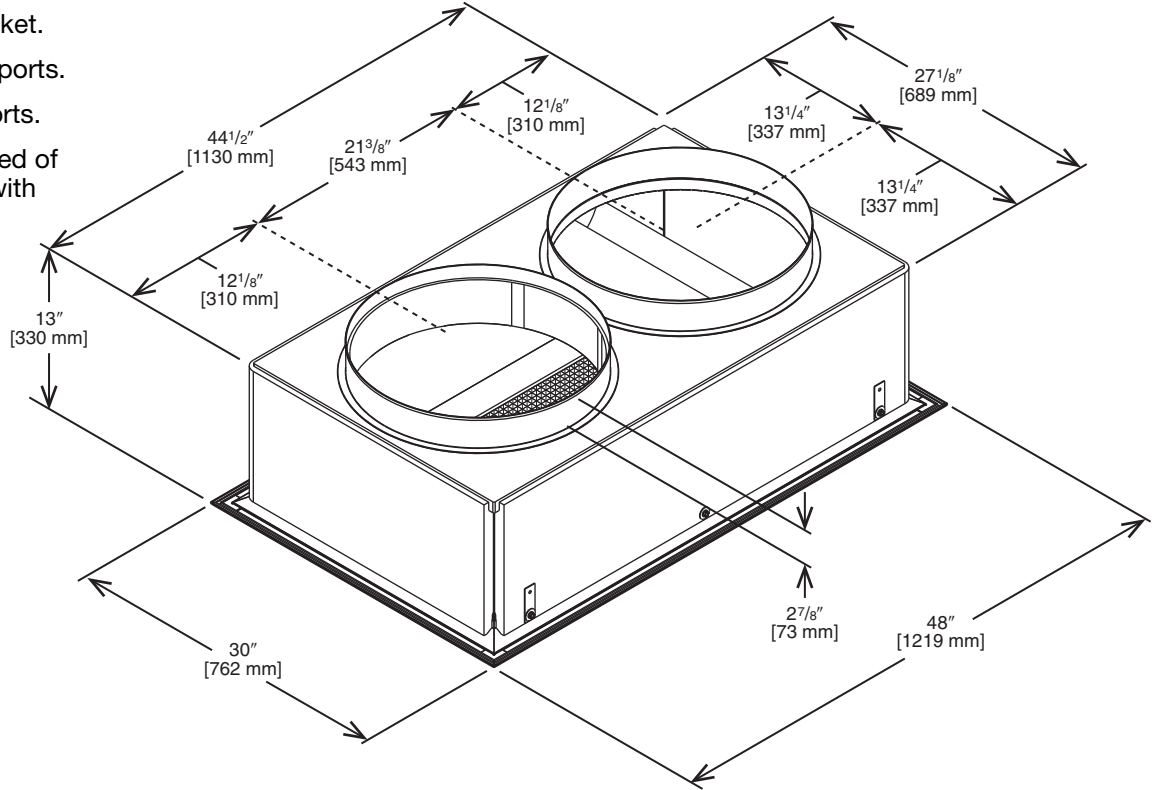


Illustration
ST-A1273-14-00

ENGINEERING DATA^①

Model No.	Flow Rate CFM [L/s]	Throw ^{② ③} Feet [m]	Neck Velocity fpm [m/s]	Noise Level ^④ (dbA)
RXRN-AEF2000	2600 [1222]	17-24 [5.2-7.3]	663 [3.4]	30
	2800 [1316]	18-28 [5.5-8.5]	714 [3.6]	35
	3000 [1410]	20-30 [6.1-9.1]	765 [3.9]	35
	3200 [1504]	22-33 [6.7-10.1]	816 [4.1]	40
	3400 [1598]	23-37 [7-11.3]	867 [4.4]	40
	3600 [1692]	25-38 [7.6-11.6]	918 [4.7]	43
	3800 [1786]	26-39 [7.9-11.9]	969 [4.9]	45
	4000 [1880]	27-40 [8.2-12.2]	1020 [5.2]	48

- NOTES: ① All data is based on the air diffusion council guidelines.
 ② Throw data is based on 75 FPM Terminal Velocities using isothermal air.
 ③ Throw is based on diffuser blades being directed in a straight pattern.
 ④ Actual noise levels may vary due to duct design and do not include transmitted unit noise.
 Adequate duct attenuation must be provided to reduce sound output from the unit.

[] Designates Metric Conversions

CONCENTRIC DIFFUSER – FLUSH 15" x 34" [381 x 864 mm]

RXRN-AEF3415 (8.5 & 10 Ton [29.9 & 35.2] Models)

For Use With Downflow Transition (RXMC-DD02)
15" x 34" [381 x 864 mm]
Supply and Return Ducts

- All aluminum diffuser with aluminum return air eggcrate.
- Built-in anti-sweat gasket.
- Molded fiberglass supports.
- Built-in hanging supports.
- Diffuser box constructed of sheetmetal insulated with 1" [25.4 mm] 1.5 lbs. [.7 kg] duct liner.

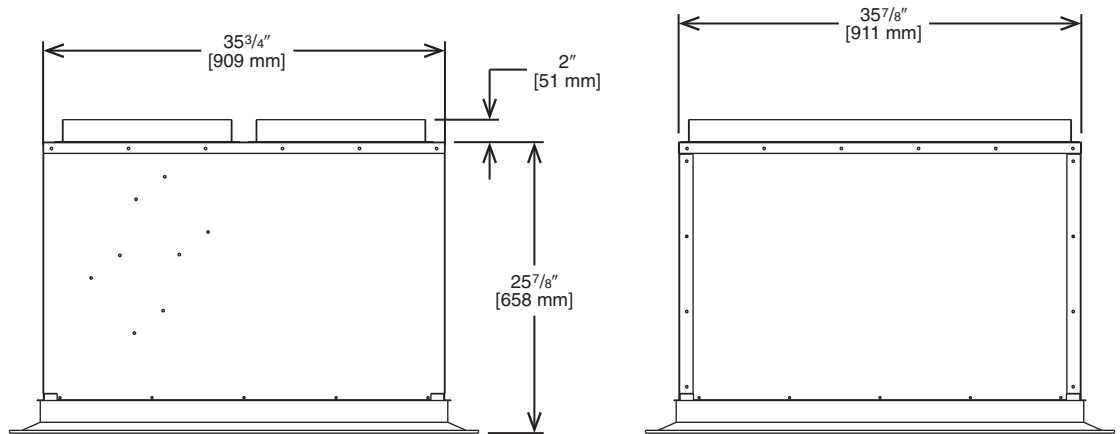
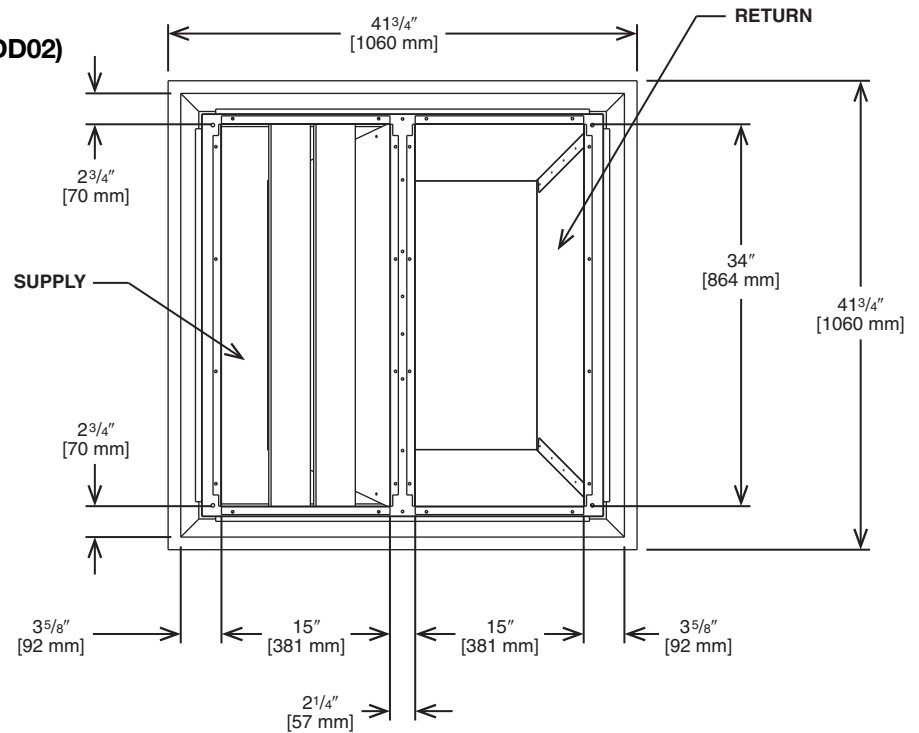


Illustration
ST-A1273-07-00

ENGINEERING DATA^①

Model No.	Flow Rate CFM [L/s]	Throw ^{② ③} Feet [m]	Neck Velocity fpm [m/s]	Noise Level ^④ (dba)
RXRN-AEF3415	3600 [1692]	14-34 [4.3-10.4]	844 [4.3]	27
	3800 [1786]	15-36 [4.6-11.1]	891 [4.5]	29
	4000 [1880]	16-37 [4.9-11.3]	938 [4.8]	30
	4200 [1974]	17-39 [5.2-11.9]	985 [5.1]	32
	4400 [2068]	18-41 [5.5-12.5]	1032 [5.2]	33
	4600 [2162]	19-43 [5.8-13.1]	1079 [5.5]	35
	4800 [2256]	20-45 [6.1-13.7]	1126 [5.7]	36

NOTES: ① All data is based on the air diffusion council guidelines.
 ② Throw data is based on 75 FPM Terminal Velocities using isothermal air.
 ③ Throw is based on diffuser blades being directed in a straight pattern.
 ④ Actual noise levels may vary due to duct design and do not include transmitted unit noise.
 Adequate duct attenuation must be provided to reduce sound output from the unit.

[] Designates Metric Conversions

CONCENTRIC DIFFUSER—FLUSH

18" x 36" [457 x 914 mm]

RXRN-AEF3618 (12.5 Ton [44.0 kW] Models)

For Use With Downflow Transition (RXMC-DD03)
and 18" x 36" [457 x 914 mm]
Supply and Return Ducts

- All aluminum diffuser with aluminum return air eggcrate.
- Built-in anti-sweat gasket.
- Molded fiberglass supports.
- Built-in hanging supports.
- Diffuser box constructed of sheetmetal insulated with 1" [25.4 mm] 1.5 lbs. [.7 kg] duct liner.

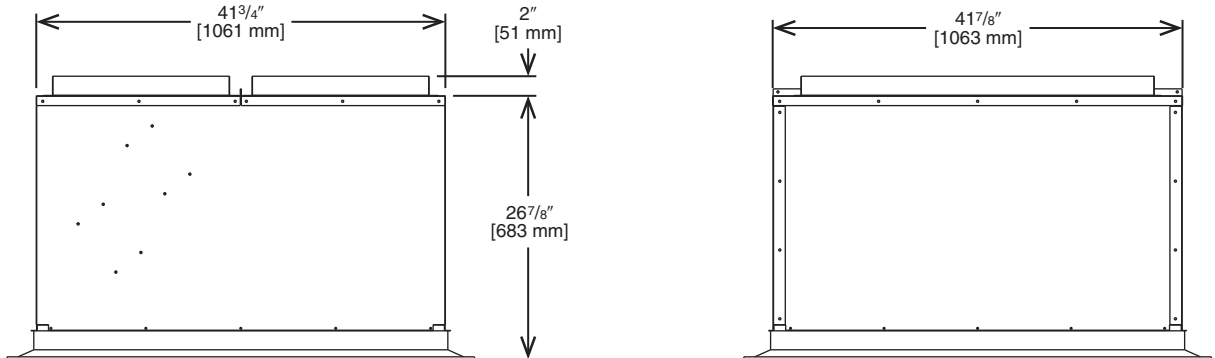
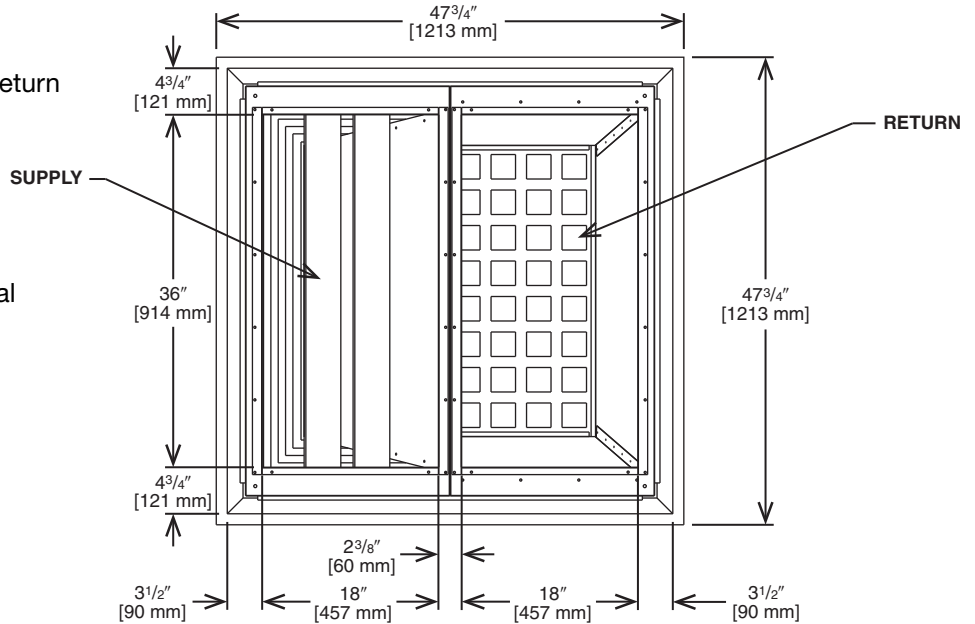


Illustration
ST-A1273-12-00

ENGINEERING DATA^①

Model No.	Flow Rate CFM [L/s]	Throw ^② ③ Feet [m]	Neck Velocity fpm [m/s]	Noise Level ^④ (dbA)
RXRN-AEF3618	4400 [2068]	13-28 [4.1-8.5]	922 [47]	35
	4600 [2162]	14-30 [4.3-9.1]	962 [4.9]	37
	4800 [2256]	15-31 [4.6-9.4]	1002 [5.1]	39
	5000 [2350]	16-32 [4.9-9.8]	1043 [5.3]	40
	5200 [2444]	17-33 [5.2-10.1]	1083 [5.5]	42
	5400 [2538]	18-35 [5.5-10.7]	1123 [5.7]	43

- NOTES: ① All data is based on the air diffusion council guidelines.
 ② Throw data is based on 75 FPM Terminal Velocities using isothermal air.
 ③ Throw is based on diffuser blades being directed in a straight pattern.
 ④ Actual noise levels may vary due to duct design and do not include transmitted unit noise.
 Adequate duct attenuation must be provided to reduce sound output from the unit.

[] Designates Metric Conversions

GUIDE SPECIFICATIONS – RHPD-090 thru 120

You may copy this document directly into your building specification. This specification is written to comply with the 2016 version of the “master format” as published by the Construction Specification Institute. www.csinet.org.

ELECTRIC HEAT PACKAGED ROOFTOP

HVAC Guide Specifications

Size Range: 7.5 to 10 Nominal Tons

Section Description

23 06 80 Schedules for Decentralized HVAC Equipment

23 06 80.13 Decentralized Unitary HVAC Equipment Schedule

23 06 80.13.A Rooftop unit schedule

1. Schedule is per the project specification requirements.

23 07 16 HVAC Equipment Insulation

23 07 16.00.A Decentralized, Rooftop Units:

1. Interior cabinet surfaces shall be insulated with a minimum 1/2-in. thick, minimum 1.6 lb density, flexible fiberglass insulation bonded with a phenolic binder, with aluminum foil facing on the air side.
2. Insulation and adhesive shall meet NFPA 90A requirements for flame spread and smoke generation.

23 09 13 Instrumentation and Control Devices for HVAC

23 09 13.23 Sensors and Transmitters

23 09 13.23.A Thermostats

1. Thermostat must
 - a. have capability to energize 2 different stages of cooling, and 2 different stages of heating.
 - b. must include capability for occupancy scheduling.

23 09 23 Direct-Digital Control System for HVAC

23 09 23.00.A RTU-C controller

1. Shall be ASHRAE 62-2001 compliant.
2. Shall accept 18-32VAC input power.
3. Shall have an operating temperature range from –40°F (–40°C) to 158°F (70°C), 10%–95% RH (non-condensing).
4. Controller shall accept the following inputs: space temperature, setpoint adjustment, outdoor air temperature, indoor air quality, outdoor air enthalpy, fire shutdown, return air enthalpy, fan status, remote time clock/door switch.
5. Shall accept a CO2 sensor in the conditioned space, and be Demand Control Ventilation (DCV) ready.
6. Shall provide the following outputs: Economizer, fan, cooling stage 1, cooling stage 2, heat stage 1, heat stage 2, exhaust, occupied.
7. Unit shall provide surge protection for the controller through a circuit breaker.
8. Shall have a field installed communication card allowing the unit to be Internet capable, and communicate at a Baud rate of 19.2K or faster
9. Shall have an LED display independently showing the status of activity on the communication bus, and processor operation.
10. Shall have either a field installed BACnet® plug-in communication card which includes an EIA-485 protocol communication port, or a field installed LonWorks™ plug-in communications card.
11. Software upgrades will be accomplished by local download. Software upgrades through chip replacements are not allowed.
12. Shall be shock resistant in all planes to 5G peak, 11ms during operation, and 100G peak, 11ms during storage.
13. Shall be vibration resistant in all planes to 1.5G @ 20-300 Hz.
14. Shall support a bus length of 4000 ft max, 60 devices per 1000 ft section, and 1 RS-485 repeater per 1000 ft sections.

23 09 23.00.B. Open protocol, direct digital controller:

1. Shall be ASHRAE 62-2001 compliant.
2. Shall accept 18-30VAC, 50-60Hz, and consumer 15VA or less power.
3. Shall have an operating temperature range from –40°F (–40°C) to 130°F (54°C), 10% - 90% RH (non-condensing).
4. Shall have either a field installed BACnet® plug-in communication card which includes an EIA-485 protocol communication port, or a field installed LonWorks™ plug-in communications card.
5. The BACnet® plug in communication card shall include built-in protocol for BACNET (MS/TP and PTP modes)
6. The LonWorks™ plug in communication card shall include the Echelon processor required for all Lon applications.
7. Shall allow access of up to 62 network variables (SNVT). Shall be compatible with all open controllers
8. Baud rate Controller shall be selectable through the EIA-485 protocol communication port.
9. Shall have an LED display independently showing the status of serial communication, running, errors, power, all digital outputs, and all analog inputs.

10. Shall accept the following inputs: space temperature, setpoint adjustment, outdoor air temperature, indoor air quality, outdoor air enthalpy, compressor lock-out, fire shutdown, enthalpy switch, and fan status/filter status/ humidity/ remote occupancy.
11. Shall provide the following outputs: economizer, fan, cooling stage 1, cooling stage 2, heat stage 1, heat stage 2, exhaust.
12. Software upgrades will be accomplished by either local or remote download. No software upgrades through chip replacements are allowed.63

23 09 33 Electric and Electronic Control System for HVAC

23 09 33.00.A. General:

1. Shall be complete with self-contained low-voltage control circuit protected by a resettable circuit breaker on the 24-v transformer side. Transformer shall have 100VA capabilities.
2. Shall utilize color-coded wiring.
3. Shall include a central control terminal board to conveniently and safely provide connection points for vital control functions such as: smoke detectors, phase monitor, economizer, thermostat, DDC control options, loss of charge, freeze sensor, high pressure switches.
4. Unit shall include a minimum of one 10-pin screw terminal connection board for connection of control wiring.

23 09 33.00.B. Safeties:

1. Compressor over-temperature, over current.
2. Loss of charge switch.
 - a. Units with 2 compressors shall have different colored wires for the circuit 1 and circuit 2 low and high pressure switches.
 - b. Loss of charge switch shall use different color wire than the high pressure switch. The purpose is to assist the installer and service technician to correctly wire and or troubleshoot the rooftop unit.
 - c. Loss of charge switch shall have a different sized connector than the high pressure switch. They shall physically prevent the cross-wiring of the safety switches between the high and low pressure side of the system.
3. High-pressure switch.
 - a. Units with 2 compressors shall have different colored wires for the circuit 1 and circuit 2 low and high pressure switches.
 - b. High pressure switch shall use different color wire than the low pressure switch. The purpose is to assist the installer and service person to correctly wire and or troubleshoot the rooftop unit.
 - c. High pressure switch shall have a different sized connector than the loss of charge switch. They shall physically prevent the cross-wiring of the safety switches between the high and low pressure side of the system.
4. Freeze protection sensor, evaporator coil.
5. Automatic reset, motor thermal overload protector.

23 09 93 Sequence of Operations for HVAC Controls

23 09 93.00.A INSERT SEQUENCE OF OPERATION

23 41 13 Panel Air Filters

23 41 13.00.A. Standard filter section shall

1. Shall consist of factory-installed, low velocity, throwaway 2-in. thick fiberglass filters of commercially available sizes.
2. Filters shall be accessible through an access panel as described in the unit cabinet section of this specification (23 81 19.13.H).

23 81 19 Self-Contained Air Conditioners

23 81 19.13 Small-Capacity Self-Contained Air Conditioners

23 81 19.13.A. General

1. Outdoor, rooftop mounted, electrically controlled, heating and cooling unit utilizing a(n) hermetic scroll compressor(s) for cooling duty and heat pump for heating duty.
2. Factory assembled, single-piece heating and cooling rooftop unit. Contained within the unit enclosure shall be all factory wiring, piping, controls, and special features required prior to field start-up.
3. Unit shall use environmentally sound R-410a refrigerant.
4. Unit shall be installed in accordance with the manufacturer's instructions.
5. Unit must be selected and installed in compliance with local, state, and federal codes.

23 81 19.13.B. Quality Assurance

1. Unit meets ASHRAE 90.1-2007 and 2013 minimum efficiency requirements.
2. 3 phase units are Energy Star qualified.
3. Unit shall be rated in accordance with AHRI Standards 210/240 and 340/360.
4. Unit shall be designed to conform to ASHRAE 15.
5. Unit shall be UL-tested and certified in accordance with ANSI Z21.47 Standards and UL-listed and certified under Canadian standards as a total package for safety requirements.
6. Insulation and adhesive shall meet NFPA 90A requirements for flame spread and smoke generation.
7. Unit casing shall be capable of withstanding 1000-hour salt spray exposure per ASTM B117 (scribed specimen).

8. Unit shall be designed in accordance with ISO 9001:2015, and shall be manufactured in a facility registered by ISO 9001:2015.
 9. Roof curb shall be designed to conform to NRCA Standards.
 10. Unit shall be subjected to a completely automated run test on the assembly line. The data for each unit will be stored at the factory, and must be available upon request.
 11. Unit shall be designed in accordance with UL Standard 1995, Fifth Edition including tested to withstand rain.
 12. Unit shall be constructed to prevent intrusion of snow and tested to prevent snow intrusion into the control box up to 40 mph.
- 23 81 19.13.C. Delivery, Storage, and Handling
1. Unit shall be stored and handled per manufacturer's recommendations.
 2. Lifted by crane requires either shipping top panel or spreader bars.
 3. Unit shall only be stored or positioned in the upright position.
- 23 81 19.13.E. Project Conditions
1. As specified in the contract.
- 23 81 19.13.F. Operating Characteristics
1. Unit shall be capable of starting and running at 115°F (46°C) ambient outdoor temperature, meeting maximum load criteria of AHRI Standard 210/240 or 340/360 at ± 10% voltage.
 2. Compressor with standard controls shall be capable of operation from 40°F (4°C) , ambient outdoor temperatures. Accessory low ambient kit is necessary if mechanically cooling at ambient temperatures below 40°F (4°C).
 3. Unit shall discharge supply air vertically or horizontally as shown on contract drawings.
 4. Unit shall be factory configured for vertical supply & return configurations.
 5. Unit shall be field convertible from vertical to horizontal configuration.
- 23 81 19.13.G. Electrical Requirements
1. Main power supply voltage, phase, and frequency must match those required by the manufacturer.
- 23 81 19.13.H. Unit Cabinet
1. Unit cabinet shall be constructed of galvanized pre-painted steel.
 2. Unit cabinet exterior paint shall be: film thickness, (dry) 0.003 inches minimum, flat (per ASTM D523, 60°F): 60, Hardness: H-2H Pencil hardness.
 3. Evaporator fan compartment interior cabinet insulation shall conform to AHRI Standards 210/240 or 340/360 minimum exterior sweat criteria. Interior surfaces shall be insulated with a minimum 1/2-in. thick, 1.6 lb density, flexible fiberglass insulation, aluminum foil-faced on the air side.
 4. Base of unit shall have locations for thru-the-base electrical connections (factory installed or field installed), standard.
 5. Base Rail
 - a. Unit shall have base rails on all sides.
 - b. Holes shall be provided in the base rails for rigging shackles to facilitate maneuvering and overhead rigging.
 - c. Holes shall be provided in the base rail for moving the rooftop by fork truck.
 - d. Base rail shall be a minimum of 14 gauge thickness.
 6. Condensate pan and connections:
 - a. Shall be a sloped condensate drain pan made of a non-corrosive material.
 - b. Shall comply with ASHRAE Standard 62.
 - c. Shall use a 3/4" NPT drain connection, through the side of the drain pan. Connection shall be made per manufacturer's recommendations.
 7. Top panel:
 - a. Indoor section shall be a single piece top panel.
 8. Electrical Connections
 - a. All unit power wiring shall enter unit cabinet at a single, factory-prepared, knockout location.
 - b. Thru-the-base capability
 1. Standard unit shall have a thru-the-base electrical location(s) using a raised, embossed portion of the unit basepan.
 2. No basepan penetration, other than those authorized by the manufacturer, is permitted.
 9. Component access panels (standard)
 - a. Cabinet panels shall be easily removable for servicing.
 - b. Stainless steel metal hinges are standard on all doors.
 - c. Panels covering control box, indoor fan, indoor fan motor, and electric or gas heater components (where applicable), shall have 1/4 turn latches.

23 81 19.13.J. Coils

1. Standard Aluminum Micro Channel Coils: on all models.
 - a. Standard evaporator and condenser coils shall have aluminum micro channel coils.
 - b. Evaporator and Condenser coils shall be leak tested to 150 psig, pressure tested to 550 psig, and qualified to UL 1995 burst test at 2,200 psig.

23 81 19.13.K. Refrigerant Components

1. Refrigerant circuit shall include the following control, safety, and maintenance features:
 - a. Thermal Expansion Valve (TXV) with venturi type distributor .
 - b. Refrigerant filter drier.
 - c. External service gauge connections to unit suction and discharge lines.
2. Compressors
 - a. Unit shall use one fully hermetic, scroll compressor for each independent refrigeration circuit.
 - b. Compressor motors shall be cooled by refrigerant gas passing through motor windings.
 - d. Compressors shall be internally protected from high discharge temperature conditions.
 - e. Compressors shall be protected from an over-temperature and over-amperage conditions by an internal, motor overload device.
 - f. Compressor shall be factory mounted on rubber grommets.
 - g. Compressor motors shall have internal line break thermal, current overload and high pressure differential protection.
 - h. Crankcase heaters shall not be required for normal operating range.

23 81 19.13.L. Filter Section

1. Filters access is specified in the unit cabinet section of this specification.
2. Filters shall be held in place by a sliding filter tray, facilitating easy removal and installation.
3. Shall consist of factory-installed, low velocity, throw-away 2-in. thick fiberglass filters.
4. Filters shall be standard, commercially available sizes.
5. Filter face velocity shall not exceed 365 fpm at nominal airflows.

23 81 19.13.M. Evaporator Fan and Motor

1. Evaporator fan motor:
 - a. Shall have permanently lubricated bearings.
 - b. Shall have inherent automatic-reset thermal overload protection or circuit breaker.
 - c. Shall have a maximum continuous bhp rating for continuous duty operation; no safety factors above that rating shall be required.
2. Belt-driven Evaporator Fan:
 - a. Belt drive shall include an adjustable-pitch motor pulley.
 - b. Shall use sealed, permanently lubricated ball-bearing type.
 - c. Blower fan shall be double-inlet type with forward-curved blades.
 - d. Shall be constructed from steel with a corrosion resistant finish and dynamically balanced.

23 81 19.13.N. Condenser Fans and Motors

1. Condenser fan motors:
 - a. Shall be a totally enclosed motor.
 - b. Shall use permanently lubricated bearings.
 - c. Shall have inherent thermal overload protection with an automatic reset feature.
 - d. Shall use a shaft-down design. Shaft-up designs including those with "rain-slinger devices" shall not be allowed.
2. Condenser Fans:
 - a. Shall be a direct-driven propeller type fan.
 - b. Shall have aluminum blades riveted to corrosion-resistant steel spiders and shall be dynamically balanced.

23 81 19.13.O. Special Features, Options and Accessories

1. Integrated Economizers:
 - a. Integrated, gear-driven parallel modulating blade design type capable of simultaneous economizer and compressor operation.
 - b. Independent modules for vertical or horizontal return configurations shall be available. Vertical return modules shall be available as a factory installed option.
 - c. Damper blades shall be galvanized steel with metal gears. Plastic or composite blades on intake or return shall not be acceptable.

- d. Shall include all hardware and controls to provide free cooling with outdoor air when temperature and/or humidity are below setpoints.
 - e. Shall be equipped with gear driven dampers for both the outdoor ventilation air and the return air for positive air stream control.
 - f. Shall be capable of introducing up to 100% outdoor air.
 - g. Shall be equipped with a barometric relief damper capable of relieving up to 100% return air.
 - h. Shall be designed to close damper(s) during loss-of-power situations with spring return built into motor.
 - i. An outdoor single enthalpy sensor shall be provided as standard. Outdoor air sensor setpoint shall be adjustable and shall range from the enthalpy equivalent of 63°F @ 50% rh to 73°F @ 50% rh. Additional sensor options shall be available as accessories.
 - j. The economizer controller shall also provide control of an accessory power exhaust unit function. Factory set at 70%, with a range of 0% to 100%.
 - k. The economizer shall maintain minimum airflow into the building during occupied period and provide design ventilation rate for full occupancy. A remote potentiometer may be used to override the damper setpoint.
 - l. Dampers shall be completely closed when the unit is in the unoccupied mode.
 - m. Economizer controller shall accept a 2-10Vdc CO2 sensor input for IAQ/DCV control. In this mode, dampers shall modulate the outdoor-air damper to provide ventilation based on the sensor input.
 - n. Compressor lockout sensor on the unit controller is factory set at 35°F and is adjustable from 30°F (–1°C) to 50°F (10°C) and resets the cooling lockout at 5°F (+2.7°C) above the set point.
 - o. Actuator shall be direct coupled to economizer gear. No linkage arms or control rods shall be acceptable.
 - p. Economizer controller shall provide indications when in free cooling mode, in the DCV mode, or the exhaust fan contact is closed.
 - q. Economizer wire harness will have provision for smoke detector.
2. Two-Position Motorized Damper
- a. Damper shall be a Two-Position Motorized Damper. Damper travel shall be from the full closed position to the field adjustable %-open setpoint.
 - b. Damper shall include adjustable damper travel from 25% to 100% (full open).
 - c. Damper shall include single or dual blade, gear driven dampers and actuator motor.
 - d. Actuator shall be direct coupled to damper gear. No linkage arms or control rods shall be acceptable.
 - e. Damper will admit up to 100% outdoor air for applicable rooftop units.
 - f. Damper shall close upon indoor (evaporator) fan shutoff and/or loss of power.
 - g. The damper actuator shall plug into the rooftop unit's wiring harness plug. No hard wiring shall be required.
 - h. Outside air hood shall include aluminum water entrainment filter
3. Manual damper
- a. Manual damper package shall consist of damper, air inlet screen, and rain hood which can be preset to admit up to 50% outdoor air for year round ventilation.
4. Head Pressure Control Package
- a. Controller shall control coil head pressure by condenser-fan cycling.
5. Condenser Coil Hail Guard Assembly
- a. Shall protect against damage from hail.
 - b. Shall be louvered design.
6. Convenience Outlet:
- a. Non-Powered convenience outlet.
 - 1. Outlet shall be powered from a separate 115-120v power source.
 - 2. A transformer shall not be included.
 - 3. Outlet shall be factory-installed and internally mounted with easily accessible 115-v female receptacle.
 - 4. Outlet shall include 15 amp GFI receptacles.
 - 5. Outlet shall be accessible from outside the unit.
7. Fan/Filter Status Switch:
- a. Switch shall provide status of indoor evaporator fan (ON/OFF) or filter (CLEAN/DIRTY).
 - b. Status shall be displayed either over communication bus (when used with direct digital controls) or through the controller LCD display inside the unit control box.
8. Propeller Power Exhaust:
- a. Power exhaust shall be used in conjunction with an integrated economizer.
 - b. Independent modules for vertical or horizontal return configurations shall be available.

- c. Horizontal power exhaust is shall be mounted in return ductwork.
- d. Power exhaust shall be controlled by economizer controller operation. Exhaust fans shall be energized when dampers open past the 0-100% adjustable setpoint on the economizer control.
- 9. Roof Curbs (Vertical):
 - a. Full perimeter roof curb with exhaust capability providing separate air streams for energy recovery from the exhaust air without supply air contamination.
 - b. Formed galvanized steel with wood nailer strip and shall be capable of supporting entire unit weight.
 - c. Permits installation and securing of ductwork to curb prior to mounting unit on the curb.
- 10. High-Static Indoor Fan Motor(s) and Drive(s):
 - a. High-static motor(s) and drive(s) shall be factory-installed to provide additional performance range.
- 11. Outdoor Air Enthalpy Sensor:
 - a. The outdoor air enthalpy sensor shall be used to provide single enthalpy control. When used in conjunction with a return air enthalpy sensor, the unit will provide differential enthalpy control. The sensor allows the unit to determine if outside air is suitable for free cooling.
- 12. Return Air Enthalpy Sensor:
 - a. The return air enthalpy sensor shall be used in conjunction with an outdoor air enthalpy sensor to provide differential enthalpy control.
- 13. Indoor Air Quality (CO2) Sensor:
 - a. Shall be able to provide demand ventilation indoor air quality (IAQ) control.
 - b. The IAQ sensor shall be available in wall mount with LED display. The setpoint shall have adjustment capability.
- 14. Smoke detectors:
 - a. Shall be a Four-Wire Controller and Detector.
 - b. Shall be environmental compensated with differential sensing for reliable, stable, and drift-free sensitivity.
 - c. Shall use magnet-activated test/reset sensor switches.
 - d. Shall have a recessed momentary switch for testing and resetting the detector.
 - e. Controller shall include:
 - 1. One set of normally open alarm initiation contacts for connection to an initiating device circuit on a fire alarm control panel.
 - 2. Two Form-C auxiliary alarm relays for interface with rooftop unit or other equipment.
 - 3. One Form-C supervision (trouble) relay to control the operation of the Trouble LED on a remote test/reset station.
 - 4. Capable of direct connection to two individual detector modules.
 - 5. Can be wired to up to 14 other duct smoke detectors for multiple fan shutdown applications.
- 15. Electric Heat:
 - a. Heating Section
 - 1. Heater element open coil resistance wire, nickel-chrome alloy, strung through ceramic insulators mounted on metal frame. Coil ends are staked and welded to terminal screw slots.
 - 2. Heater assemblies are provided with integral fusing for protection of internal heater circuits not exceeding 48 amps each. Auto reset thermo limit controls, magnetic heater contactors (24 v coil) and terminal block all mounted in electric heater control box (minimum 18 ga galvanized steel) attached to end of heater assembly.
- 26 29 23.12. Adjustable Frequency Drive
 - 1. Unit shall be supplied with an electronic variable frequency drive for the supply air fan.
 - 2. Drive shall be factory installed in an enclosed cabinet.
 - 3. Drive shall meet UL Standard 95-5V.
 - 4. The completed unit assembly shall be UL listed.
 - 5. Drives are to be accessible through a tooled access hinged door assembly.
 - 6. The unit manufacturer shall install all power and control wiring.
 - 7. The supply air fan drive output shall be controlled by the factory installed main unit control system and drive status and operating speed shall be monitored and displayed at the main unit control panel.
 - 8. Drive shall be programmed and factory run tested in the unit.

BEFORE PURCHASING THIS APPLIANCE, READ IMPORTANT ENERGY COST AND EFFICIENCY INFORMATION AVAILABLE FROM YOUR RETAILER.

GENERAL TERMS OF LIMITED WARRANTY*

Rheem will furnish a replacement for any part of this product which fails in normal use and service within the applicable periods stated, in accordance with the terms of the limited warranty.

***For complete details of the Limited and Conditional Warranties, including applicable terms and conditions, contact your local contractor or the Manufacturer for a copy of the product warranty certificate.**

Compressor	
3 Phase, Commercial Applications.....	Five (5) Years
Parts	
3 Phase, Commercial Applications.....	One (1) Year



The new degree of comfort.™

In keeping with its policy of continuous progress and product improvement, Rheem reserves the right to make changes without notice.

Rheem Heating, Cooling & Water Heating • P.O. Box 17010
Fort Smith, Arkansas 72917 • www.rheem.com

Rheem Canada Ltd./Ltée • 125 Edgeware Road, Unit 1
Brampton, Ontario • L6Y 0P5



INTEGRATED AIR & WATER

PRINTED IN U.S.A 11/18 QG FORM NO. P11-815