



MITSUBISHI ELECTRIC Package Air-Conditioner De i-see sensor corner Panel Installation Manual

Safety precautions that must be followed

- Before installing the unit, make sure you read all the “Safety precautions that must be followed”.
- The precautions herein provide very important points regarding safety. Make sure you follow them.
- Symbols used in this manual are categorized as follows according to the degree of risk when used improperly:

 Warning	Describes precautions that should be observed to prevent danger of serious injury or death of the user.
 Caution	Describes precautions that should be observed to prevent the danger of injury or damage to the premises and/or contents thereof.

- After installation, describe the user “Safety Precautions”, how to use, and how to care for and clean the unit following the operation manual, and test run the unit to confirm whether there are any problems.
In addition, direct the user to keep this installation manual together with the operation manual, and, should the users change, to give the manuals to the new user.

Warning

- The unit must not be installed by the user. Ask the dealer or an authorized company to install the unit.**
 - If the unit is installed improperly, water leakage, electric shock or fire may result.
- Installation must be properly done following this installation manual.**
 - If the unit is installed improperly, water leakage, electric shock or fire may result.
- Installation must be done in proper order in case of strong wind such as storms and earthquakes.**
 - If the unit is installed improperly, there is a risk that a fall may result.
- The unit must be installed on a surface that is able to support the weight of the unit.**
 - If the surface does not have sufficient strength, accidents may result due to falling of the unit.
- If the unit is to be installed in a small room, take measures to prevent exceeding the concentration limit of refrigerant in the case of refrigerant leakage.**
 - Ask a dealer about measures to prevent the exceeding the concentration limit. If there is any chance of refrigerant leakage and its concentration exceeds the limit, it may result in lack of oxygen.
- Ventilate the room if refrigerant leaks out during installation.**
 - When refrigerant comes in contact with fire, noxious fumes may be produced.
- Electrical work must be done by an authorized engineer following “Technical standards for electrical equipment”, “Extension Code” and this installation manual and using dedicated communication circuit and rated power voltage/circuit breakers.**
 - If the electrical circuit does not have sufficient capacity or if the unit is installed improperly, electric shock or fire may result.

- Wiring must be done properly using specific cables and fixed so that external pressure from the cable will not transmit to the terminal area.**
 - If the connection and/or fixation are not done properly, heat or fire may result.
- Terminal board cover (panel) of the indoor/outdoor unit must be installed properly.**
 - If the terminal board cover (panel) is installed improperly, fire or electric shock may result due to dust or water.
- Do not mix substances other than the designated refrigerant in the refrigerant cycle when installing and/or moving the unit.**
 - If air or other substances mix in, abnormal high-pressure will occur in the refrigerant cycle, which may cause explosion.
- Use genuine Mitsubishi parts such as humidifier and high-performance filters (sold separately).**
 - Ask an authorized company to install. If the unit is installed improperly, water leakage, electric shock, or fire may result.
- Never make alterations to the unit.**
 - Consult with a dealer for repairs. If alterations are done on the unit or the unit is repaired improperly, water leakage, electric shock, or fire may result.
- The unit must not be moved or reinstalled by the user.**
 - If the unit is installed improperly, water leakage, electric shock, or fire may result. Ask the dealer or an authorized company to do so.
- Make sure the refrigerant has not leaked after installation.**
 - In case the refrigerant leaks into the room and comes in contact with a fan heater, heater, or stove burner, noxious fumes may be produced.

Before installation: Environment

Caution

- This product must not be used in certain environments.**
 - If used in an environment with a large amount of grease (including mechanical oil), steam, or sulfidizing gas or where it is high in salt content such as a seashore where the outdoor unit may become blocked by snow, performance may drop significantly or parts may become damaged.
- Do not install the unit in an area where flammable gas may be generated, flow in, be retained or leaked.**
 - In case gas leaks around the unit, fire or explosion may result.
- If the unit is installed in a hospital or telecommunications office, preparation for noise must be adequately completed.**
 - The effect of inverter equipment, private power generators, high-frequency medical devices and radio communication devices may result in malfunctions and/or damage of the air-conditioner. Air-conditioners may affect medical devices or telecommunications devices to interfere with medical treatment or cause adverse effects such as disturbance of broadcasting and/or noise bursts.
- The unit must not be used for special purposes such as the storage of precision apparatuses, food, animals and plants, and art objects.**
 - It may cause deterioration in quality of the objects.
- Do not install the unit above objects that should not get wet.**
 - In case humidity exceeds 80% or the drain outlet is blocked, dew may fall from the indoor unit. When the heating function is on, water leaks from the outdoor unit; intensive drain work may be done to the outdoor unit as needed.

Decorative Panel (Optional Part) { PLP-6B Series }

Before installation (relocation)

Caution

Transport of the product must be done carefully.

- In principle, products over 20 kg must be carried by two or more people. Make sure you move the product holding the designated handles such as a PP band. Use protectors to prevent injury; do not touch the fins with your bare hands.

Appropriately dispose of packages.

- Packaging may contain metal objects such as "nails" and wood chips. So injury may result if disposal is neglected.

Make sure heat insulation for refrigerant piping is properly installed to prevent bedewing.

- If heat insulation is not done properly, bedewing of the surfaces such as piping may result, which will make the ceilings, floors or other valuable items wet.

Drain piping must be done properly according to the installation manual to drain water and must be kept warm to prevent bedewing.

- If piping is not properly installed, water leakage may result, which will make the ceilings, floors or other household items wet.

Do not neglect damaged platforms.

- If left damaged, the unit may fall and result in injury.

Do not wash the air-conditioner.

- Doing so may cause electric shock.

Before electrical work

Caution

Install short circuit breakers depending on the installation area (area with high moisture content).

- If a short circuit breaker is not installed, electric shock may result.

Use proper electrical cables to meet the standard for current capacity.

- If proper electrical cables are not used, short circuit, electric shock or fire may result.

Electrical wiring must be done without tension.

- If there is tension on the cables, wire disconnection, electric shock or fire may result.

Unit must be grounded.

- Do not connect the ground wires with ground wires for gas pipes, water pipes, conductor rods or telephones. If the unit is not properly grounded, electric shock may result.

Use fuses with appropriate capacity.

- If fuses, wires and copper wires with larger capacities are used, damage or fire may result.

Before test runs

Caution

Turn it on more than 12 hours before operation.

- If operation starts as soon as the unit is turned on, damage may result. Do not turn it off during the season.

Do not operate the unit without the panel or guard.

- If you touch rotating, hot or high-voltage parts of the equipment, injury may result from being snagged or burnt, or from electric shock.

Do not operate the unit without air filters.

- Dirt may get clogged inside and may result in damage.

Do not operate the unit with wet hands.

- Electric shock may result.



Do not touch refrigerant piping when operating with bare hands.

- Refrigerant piping when operating becomes cold and hot, depending on the condition of the flowing refrigerant. If touched with bare hands, frostbite or burns may result.

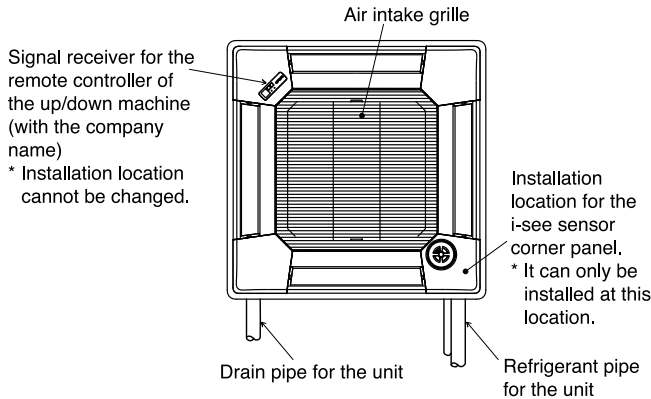
Do not turn the unit off soon after operation stops.

- Make sure you wait for more than five minutes. If it is turned off too soon, water leakage or damage may result.

1. Included parts (This manual and following parts are included.)

Part Number/ Name	① i-see sensor corner panel	② Plastic fastener
Quantity	1	2
Shapes/ Sizes		

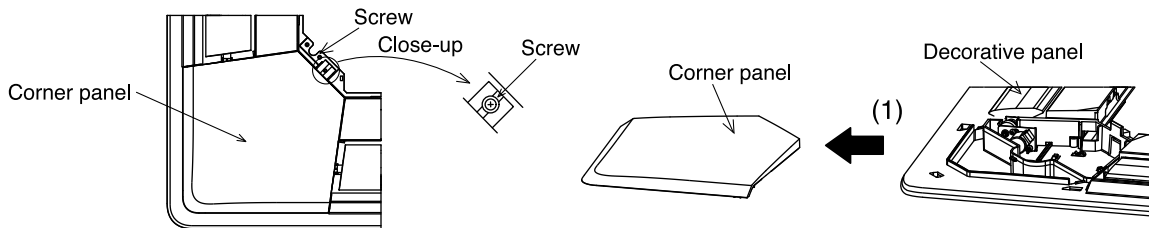
2. Preparation before installing the decorative panel



Warning Turn off the main power.
 • If the main power is not turned off, injury or electric shock may result.

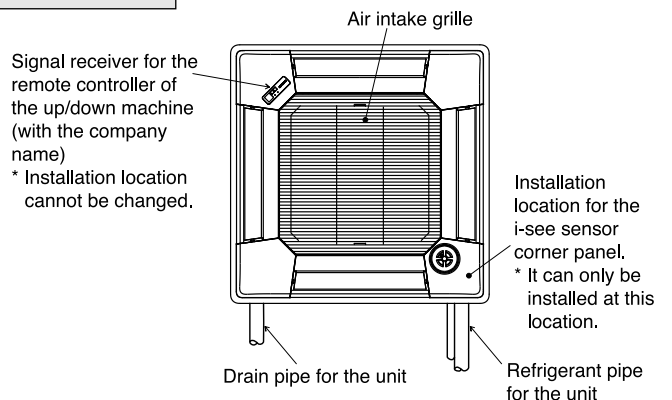
Removing the corner panel

- It can only be installed at this location with corner panel.
- * If the corner panel with sensor is removed, a problem may occur when installing the decorative panel.
- Remove the screw on the corner, slide the panel in the direction of the arrow (1) in the figure and remove the corner panel.



3. Installation of corner panels and air intake grille

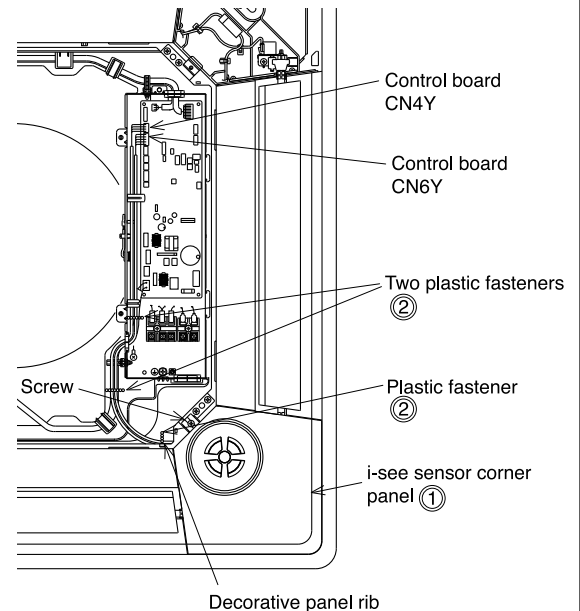
* You can set the direction of the air intake grille such as grids when installing multiple units as desired. If forced to be set at other than the position shown in the figure, failure may result.



Installation of i-see sensor corner panel

Optional part: PAC-SA1ME-E

- Take CN4Y (white) and CN6Y (red), lead wires of the i-see sensor corner panel ① from the side of the electric box on the unit and make sure to connect them to the connector of the control board.
- Lead wires of the i-see sensor corner panel ① should be fixed at the rib of the decorative panel with the plastic fastener ② so that there is no slack.
- Lead wires should be held together with the lead wires of the unit and fixed with two of the plastic fastener ② so that there is no slack.
- Put the cover back on the electric box with three screws.
- * Make sure wires are not caught in the cover of electric box. If they get caught, they will be cut off.
- Adverse procedure of "Preparation before installing the decorative panel" in the Section 2 will be taken for installing the i-see sensor corner panels.
- * The i-see sensor corner panel should be fixed onto the decorative panel with screw.



4. Verification

- For optional part PAC-SA1ME-E, check the rotating movement of the i-see sensor. If the i-see sensor does not rotate, review the procedure in "installation of i-see sensor corner panel" in section 3.

After verifying all the items above, hand all the documents including this manual and the manuals for the unit and separately sold parts to the user. Be sure to explain the descriptions of cleaning the filters and how to use the air intake grille up/down function (remote controller operation) in the operation manual of the decorative panel to the user.