

| Specifications |                |
|----------------|----------------|
| Rated Voltage  | Electric Power |
| 208 / 230 V    | 106 / 130 W    |

## BEFORE INSTALLATION

The defrost heater prevents freezing of outdoor unit base. The base may freeze when the heating operation is performed for a long time in very low temperature, high humidity condition.

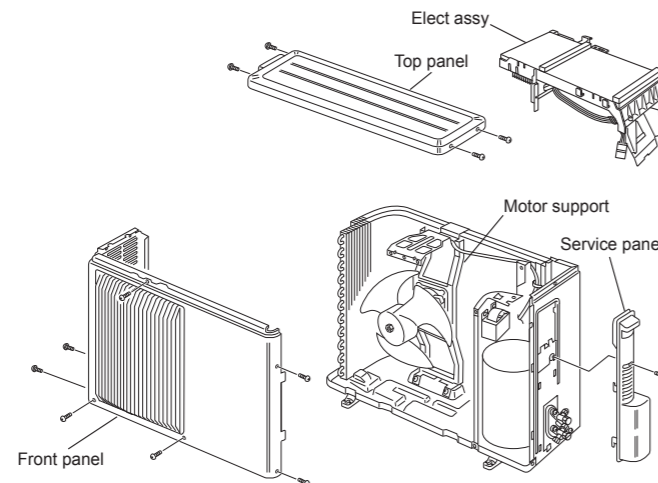
- Wear protective equipment such as gloves for your safety.
- Be careful not to cut your hands with the aluminum tape.
- Be careful not to wet electrical parts with water or snow during installation. Wet electrical parts could cause malfunction.
- Do not install the outdoor unit directly on the ground. Install the outdoor unit on a raised platform, such as on racks, to suppress freezing.

### Components

|                  |   |                       |   |
|------------------|---|-----------------------|---|
| ① Defrost heater | 1 | ④ Cable tie           | 1 |
| ② Aluminum tape  | 1 | ⑤ Self drilling screw | 2 |
| ③ Heater support | 1 | ⑥ Insulation          | 1 |

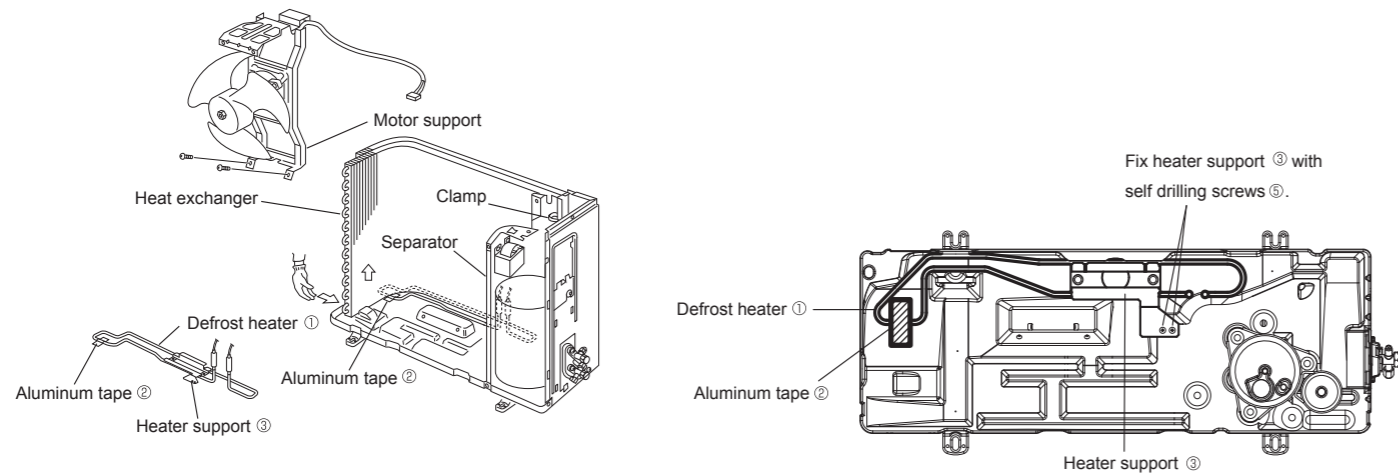
## 1. PREPARING FOR INSTALLATION

- (1) Make sure to switch off the power supply or turn off the breaker.
- (2) Remove the top panel, front panel, service panel, motor support, and elect assy.



## 2. INSTALLING THE HEATER

- (1) Hold the left lower side of the heat exchanger, and slightly lift up the heat exchanger.
- (2) Insert the defrost heater ① under the heat exchanger, and align it with the groove on the base. After positioning the defrost heater ①, secure it to the base with the aluminum tape ②. In order to fix the defrost heater ① to the base, fix the heater support ③ to the base with 2 self drilling screws ⑤.
- (3) Put the heat exchanger back in place, and install the motor support and the propeller fan. (Refer to the figure below for details.)



## THE FOLLOWING SHOULD ALWAYS BE OBSERVED FOR SAFETY

- Be sure to read these safety precautions and instructions.
- Be sure to observe the warnings and cautions specified here as they include important items related to safety.
- After reading this manual, be sure to store it for future reference.

**WARNING** (Could lead to death, serious injury, etc.)

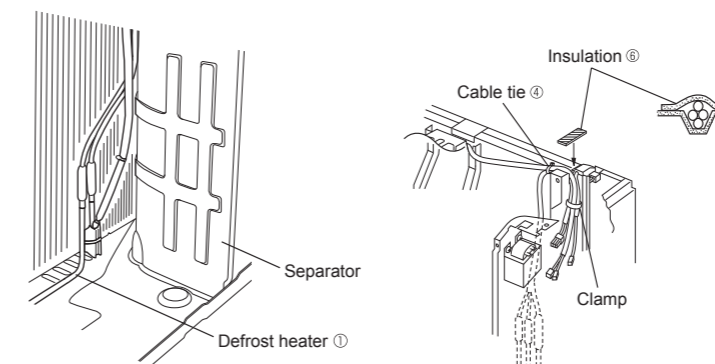
- **Do not install the unit by yourself (user).**  
Incomplete installation could cause fire, electric shock, or injury due to the unit falling, or leakage of water. Consult the dealer from whom you purchased the unit or a qualified installer.
- **Be sure to use the parts provided or specified parts for the installation work.**  
Incomplete installation could cause fire, electric shock, or injury.
- **Ground the unit correctly.**  
Do not connect the ground to a gas pipe, water pipe, lightning rod, or telephone ground. Defective grounding could cause electric shock.

**CAUTION** (Could lead to serious injury in particular environments when operated incorrectly.)

- **Depending on the installation area, install a Ground Fault Interrupt (GFI) circuit breaker.**  
If the Ground Fault Interrupt (GFI) circuit breaker is not installed, an electric shock could occur.

## 3. FIXING THE WIRES

- (1) Place the lead wires of the defrost heater ①, fan motor, and ambient temp. thermistor as shown in the figure below. Secure them with the cable tie ④.  
\* If the lead wires slacken, there is a possibility that they touch the propeller fan. Be sure to secure the wires with the cable tie ④ for safety. Cut off the surplus of the cable tie ④.
- (2) Apply the insulation ⑥ on the place indicated in the figure below. Secure all the wires tightly with the clamp.
- (3) Install the elect assy on the fixed place.  
Connect the lead wires from the defrost heater ① to CN 722 on the inverter P.C. board.



## 4. AFTER INSTALLATION

- (1) Reinstall the front panel, top panel, and service panel.
- (2) Turn on the breaker, and perform test run to confirm that it works properly.  
\* Do not install either drain socket which is provided with the outdoor unit or purchased separately. Inside of the drain hose and/or drain socket may freeze if the drain socket is installed.