

CSBS1, CSBS1A, CSBS2

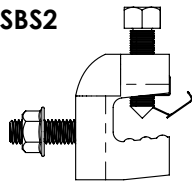
Single Side Flange Attachments

EG Finish*		Flange Thickness in [mm]	UL Load Rating lbs [N]		
Part Number	Article Number		Installation		
			Parallel to Beam	Perpendicular to Beam	Down
CSBS1	404504	1/4-5/16 [6-8]	2,200 (9,786)	3,000 (13,344)	3,000 (13,344)
		3/8-3/4 [9.5-19]	2,765 (12,299)		
CSBS1A	404505	1/4-5/16 [6-8]	2,200 (9,786)		
		3/8-3/4 [9.5-19]	2,765 (12,299)		
CSBS2	404506	3/4 - 1-1/4 [19-31]	2,500 (11,120)		

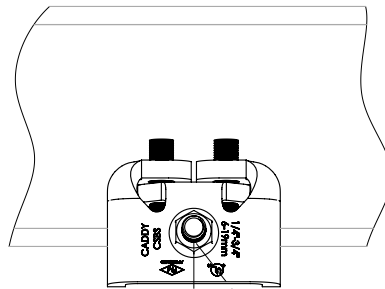
EG Finish*		Flange Thickness in [mm]	Orientation to Structure	FM Load Rating lbs [N]			
Part Number	Article Number			Installation Angle			
				30°-44°	45°-59°	60°-74°	75°-90°
CSBS1	404504	1/4-3/4 [6-19]	Parallel to Beam	880 (3,914)	1,430 (6,361)	2,020 (8,985)	2,410 (10,720)
			Perpendicular to Beam	850 (3,781)	1,780 (7,918)	2,770 (12,322)	2,840 (12,633)
CSBS1A	404505	1/4-3/4 [6-19]	Parallel to Beam	880 (3,914)	1,430 (6,361)	2,020 (8,985)	2,410 (10,720)
			Perpendicular to Beam	850 (3,781)	1,780 (7,918)	2,770 (12,322)	2,840 (12,633)
CSBS2	404506	3/4 - 1-1/4 [19-31]	Parallel to Beam	1,100 (4,893)	1,820 (8,096)	2,190 (9,742)	2,680 (11,921)
			Perpendicular to Beam	1,220 (5,427)	2,140 (9,519)	2,580 (11,476)	2,870 (12,766)

*Part numbers and article numbers are for EG only. Other coatings available. Contact customer service for availability.

CSBS1/CSBS2



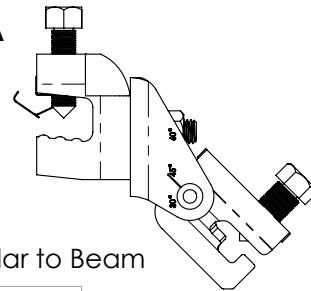
Parallel to Beam



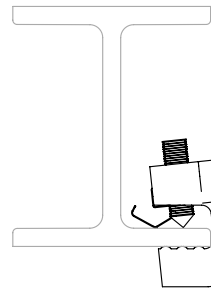
Brace Installation Angle from Vertical

Down

CSBS1A



Perpendicular to Beam



Brace Installation Angle from Vertical

Down

WARNING:

1. Pentair products shall be installed and used only as indicated in Pentair product instruction sheets and training materials. Instruction sheets are available at www.erico.pentair.com and from your Pentair customer service representative.
2. PENTAIR products must never be used for a purpose other than the purpose for which they were designed or in a manner that exceeds specified load ratings.
3. All instructions must be completely followed to ensure proper and safe installation and performance.
4. Improper installation, misuse, misapplication or other failure to completely follow Pentair's instructions and warnings may cause product malfunction, property damage, serious bodily injury and/or death, and void your warranty.
5. Products that are manufactured using spring steel components shall be used only in a non-corrosive indoor environment.
6. All pipe supports, hangers, intermediate components and structural attachments must ONLY be used as described herein and are NEVER to be used for any other purpose.

NOTE: All load ratings are for static conditions and do not account for dynamic loading such as wind, water or seismic loads, unless otherwise noted.

The customer is responsible for:

- a. Conformance to all governing codes.
- b. The integrity of structures to which the products are attached, including their capability of safely accepting the loads imposed, as evaluated by a qualified engineer.
- c. Using appropriate industry standard hardware as noted above.

SAFETY INSTRUCTIONS:

All governing codes and regulations and those required by the job site must be observed. Always use appropriate safety equipment such as eye protection, hard hat, and gloves as appropriate to the application.

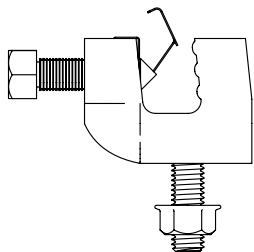


Pentair, CADDY, ERICO CADWELD, ERICO CRITEC, ERICO, ERIFLEX, and LENTON are owned by Pentair or its global affiliates. All other trademarks are the property of their respective owners. Pentair reserves the right to change specifications without prior notice.

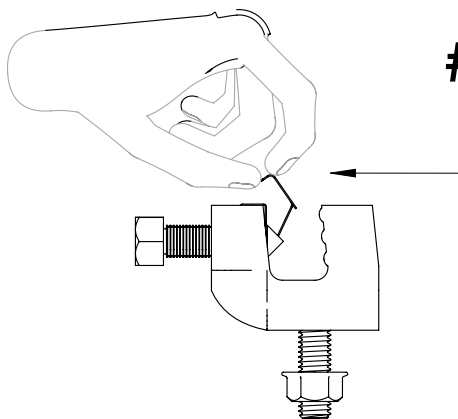


Installation Steps

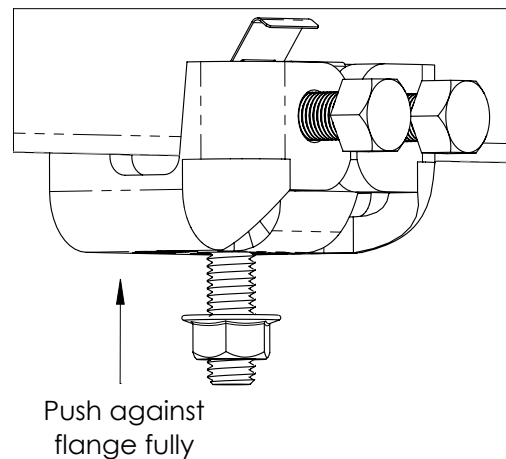
#1a



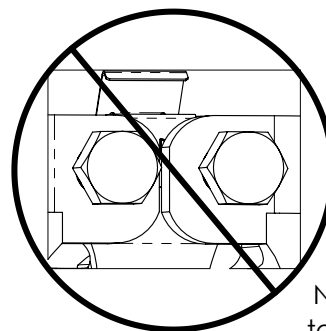
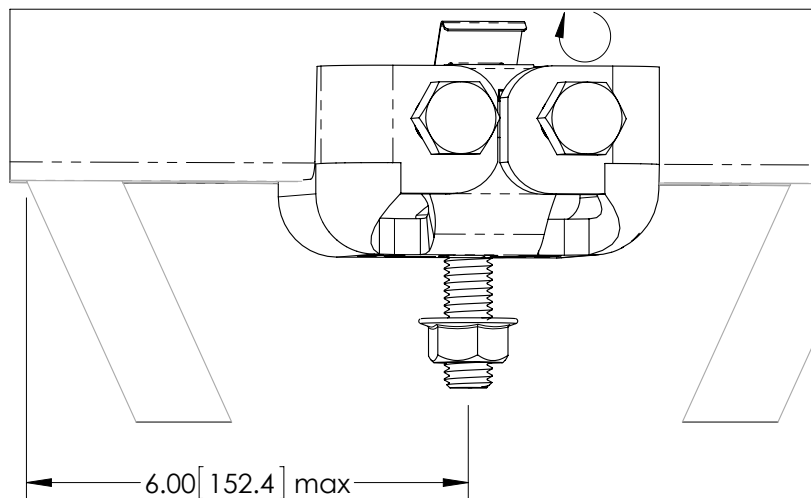
#1b



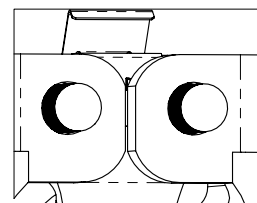
#2



#3

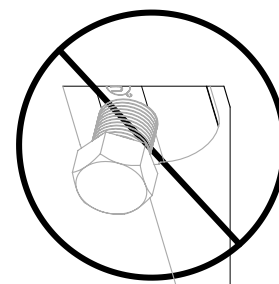
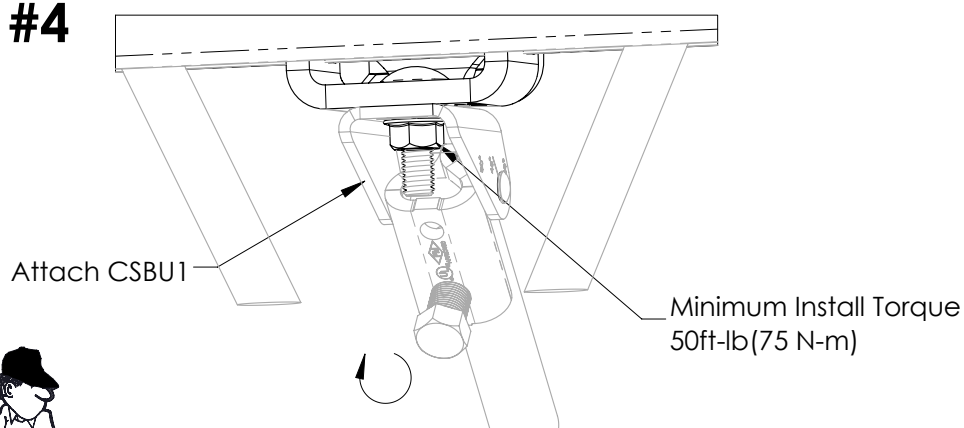


Note: Alternate torque between bolts evenly



Shear off

#4



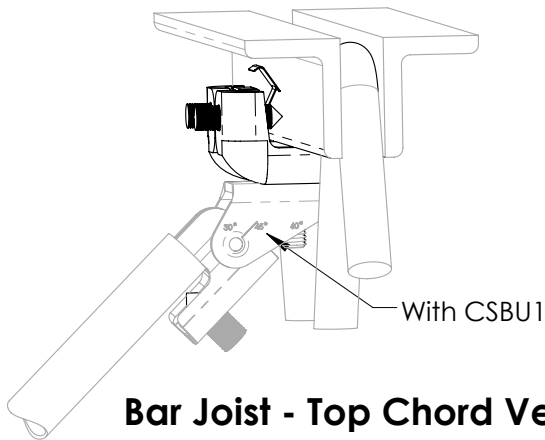
Shear off



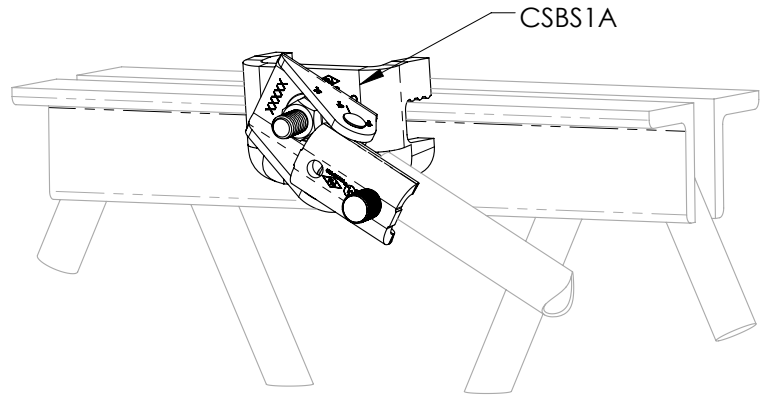
Pentair, CADDY, ERICO CADWELD, ERICO CRITEC, ERICO, ERIFLEX, and LENTON are owned by Pentair or its global affiliates. All other trademarks are the property of their respective owners. Pentair reserves the right to change specifications without prior notice.

Flange Attachment Applications

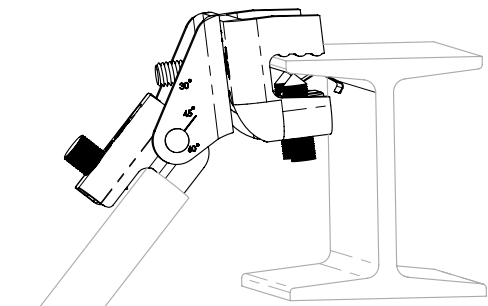
← .875 [22.23] min gap



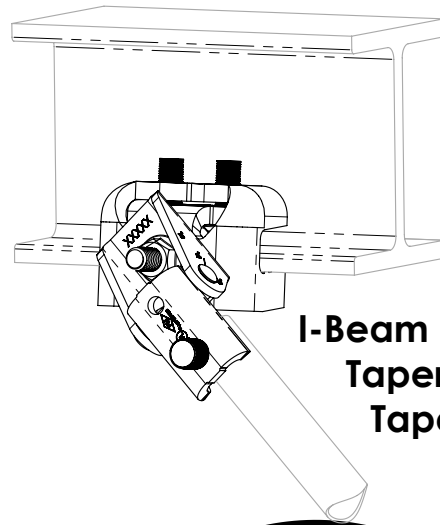
Bar Joist - Top Chord Vertical Leg



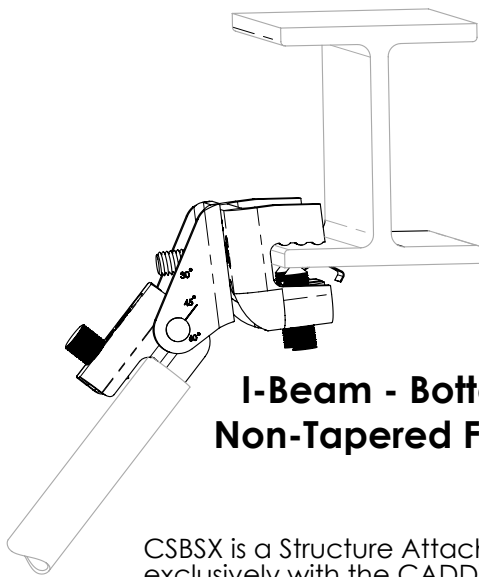
Bar Joist - Top Chord Horizontal Leg



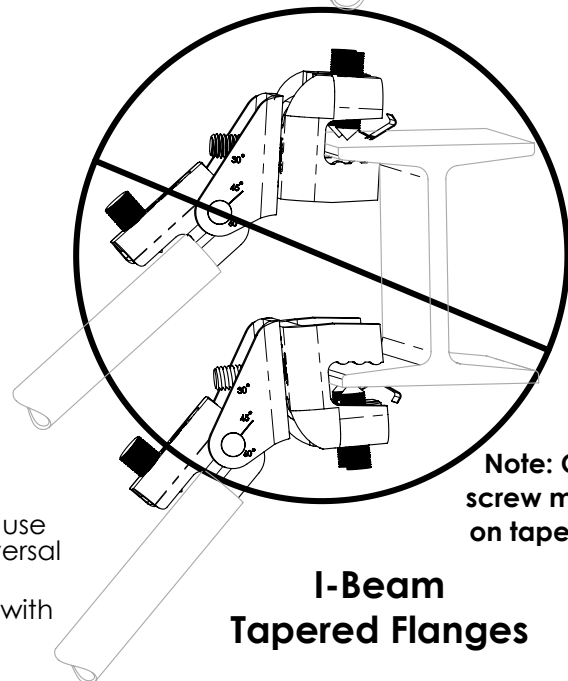
**I-Beam - Top Flange
Tapered and Non-Tapered Flange**



**I-Beam - Bottom Flange
Tapered and Non-Tapered Flange**



**I-Beam - Bottom Flange
Non-Tapered Flanges Only**



Note: Cone point set screw must be installed on tapered flange side

**I-Beam
Tapered Flanges**

CSBSX is a Structure Attachment intended for use exclusively with the CADDY brand CSBU1 Universal Attachment.

Sway Braces shall be installed in accordance with NFPA®-13 and the manufacturer's installation instruction.



Pentair, CADDY, ERICO CADWELD, ERICO CRITEC, ERICO, ERIFLEX, and LENTON are owned by Pentair or its global affiliates. All other trademarks are the property of their respective owners. Pentair reserves the right to change specifications without prior notice.