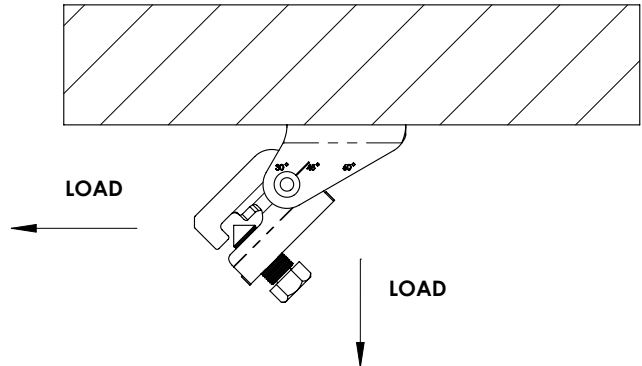
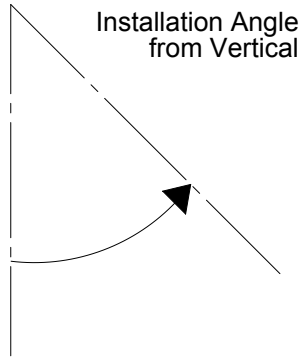


# CSBU Universal Structural Attachment

UL Approved when used with 1", 1-1/4", 1-1/2" or 2" (DN25, DN32, DN40, DN50) NPS Schedule 40 brace pipe.

*Part Number	*Article Number	Fastener Diameter		Brace		UL® Load Rating
		Inch	mm	Inch	mm	lbs. (N)
CSBU1	404500	1/2	13	1 - 2 Pipe	25 - 50 Pipe	3,000 (13,345)
CSBU2	404501	3/4	19	1 - 2 Pipe	25 - 50 Pipe	



FM® Approved when used with 1", 1-1/4", 1-1/2" or 2" (DN25, DN32, DN40, DN50) NPS Schedule 40, GB/T 3091, EN 10255 (Heavy), or JIS G3454 brace pipe.

*Part Number	*Article Number	Fastener Diameter		FM® Horizontal Load Ratings lbs (N)			
				Installation Angle			
		Inch	mm	30° - 44°	45° - 59°	60° - 74°	75° - 90°
CSBU1	404500	1/2	13	1,690 (7,517)	2,210 (9,831)	2,660 (11,832)	3,090 (13,745)
CSBU2	404501	3/4	19	1,480 (6,583)	2,290 (10,186)	2,860 (12,722)	3,090 (13,745)

Sway Brace assemblies are intended to be installed in accordance with NFPA-13 and the manufacturer's installation instructions. The required type, number, and size of fasteners used for the structure attachment fitting shall be in accordance with NFPA-13.

\*Part numbers and article numbers are for EG only. Other coatings available. Contact customer service for availability.

**WARNING:**

1. Pentair products shall be installed and used only as indicated in Pentair product instruction sheets and training materials. Instruction sheets are available at [www.erico.pentair.com](http://www.erico.pentair.com) and from your Pentair customer service representative.
2. PENTAIR products must never be used for a purpose other than the purpose for which they were designed or in a manner that exceeds specified load ratings.
3. All instructions must be **completely** followed to ensure proper and safe installation and performance.
4. Improper installation, misuse, misapplication or other failure to completely follow Pentair's instructions and warnings may cause product malfunction, property damage, serious bodily injury and/or death, and void your warranty.
5. Products that are manufactured using spring steel components shall be used only in a non-corrosive indoor environment.
6. All pipe supports, hangers, intermediate components and structural attachments must **ONLY** be used as described herein and are **NEVER** to be used for any other purpose.

NOTE: All load ratings are for static conditions and do not account for dynamic loading such as wind, water or seismic loads, unless otherwise noted.

The customer is responsible for:

- a. Conformance to all governing codes.
- b. The integrity of structures to which the products are attached, including their capability of safely accepting the loads imposed, as evaluated by a qualified engineer.
- c. Using appropriate industry standard hardware as noted above.

**SAFETY INSTRUCTIONS:**

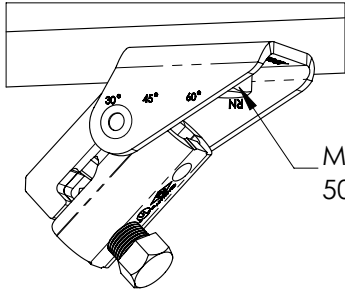
All governing codes and regulations and those required by the job site must be observed. Always use appropriate safety equipment such as eye protection, hard hat, and gloves as appropriate to the application.



Pentair, CADDY, ERICO CADWELD, ERICO CRITEC, ERICO, ERIFLEX, and LENTON are owned by Pentair or its global affiliates. All other trademarks are the property of their respective owners. Pentair reserves the right to change specifications without prior notice.

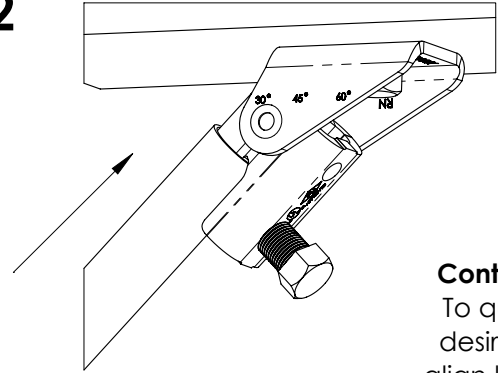
# Installation Steps

#1



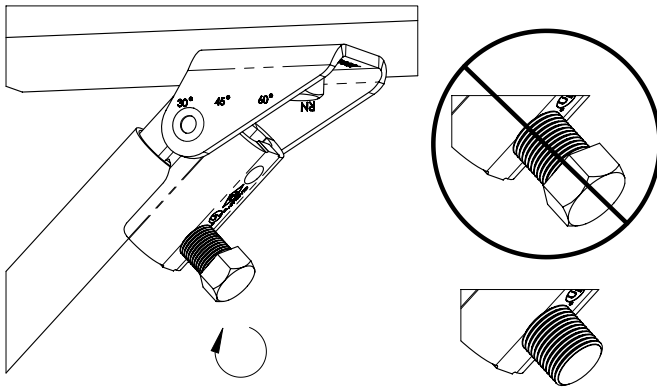
Minimum Install Torque  
50 ft-lb(75 N-m)

#2



**Contractor Tip:**  
To quickly get  
desired angle,  
align brace pipe  
with angle gauge.

#3



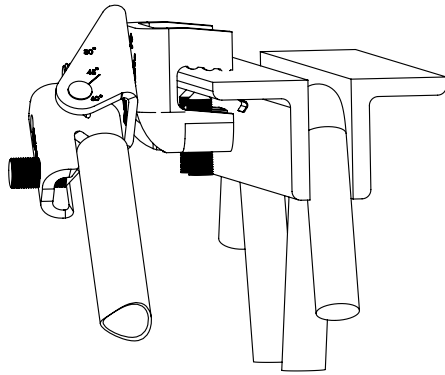
Vertical Mount  
45°

Horizontal Mount  
30°

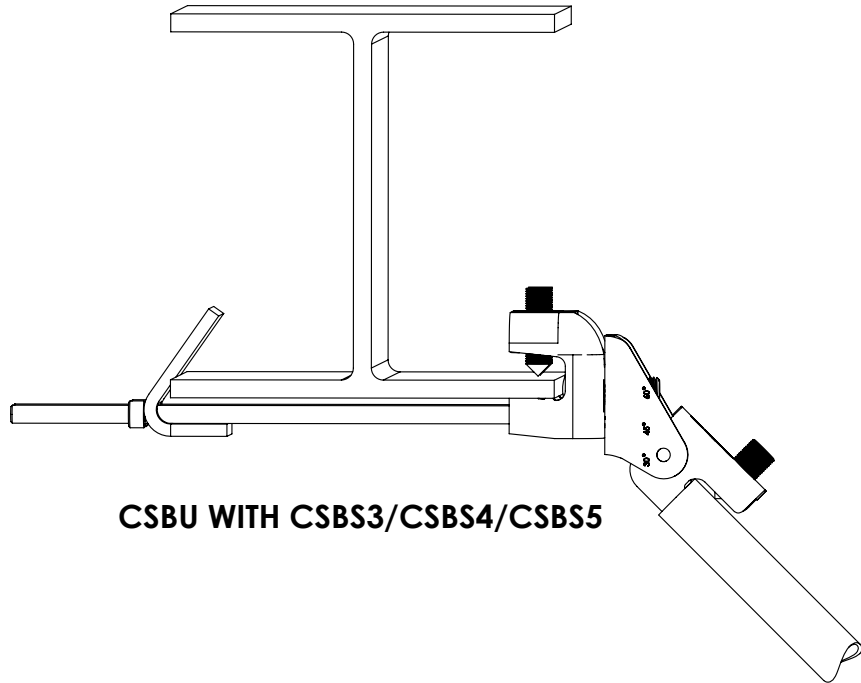
Line up pipe with 45° mark

Line up pipe with 30° mark

#4



**CSBU WITH CSBS1/CSBS2**



**CSBU WITH CSBS3/CSBS4/CSBS5**

**CSBU WITH DIRECT  
BOLTING TO STRUCTURE**



Pentair, CADDY, ERICO CADWELD, ERICO CRITEC, ERICO, ERIFLEX, and LENTON are owned by Pentair or its global affiliates. All other trademarks are the property of their respective owners. Pentair reserves the right to change specifications without prior notice.