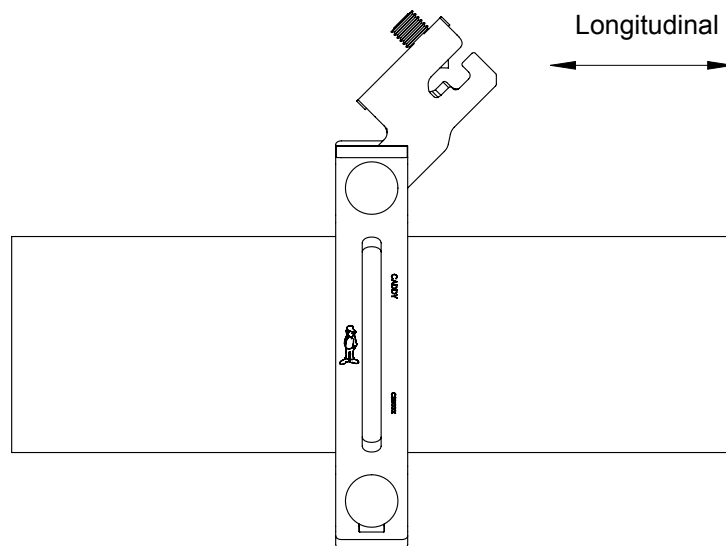


# CSBXXXX

## SWAY BRACE FITTING

EG Finish*		Service Pipe Size	
Part Number	Article Number	NPS (in)	mm**
CSB0100	404516	1	25
CSB0125	404517	1-1/4	32
CSB0150	404518	1-1/2	38
CSB0200	404519	2	50
CSB0250	404520	2-1/2	65
CSB0300	404521	3	80
CSB0400	404522	4	100
CSB0500	404523	5	125
CSB0600	404524	6	150
CSB0800	404525	8	200
CSB1000	404526	10	250

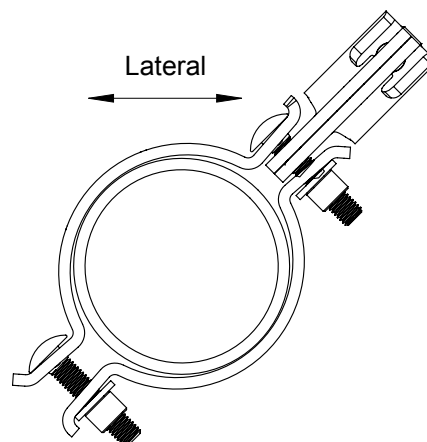
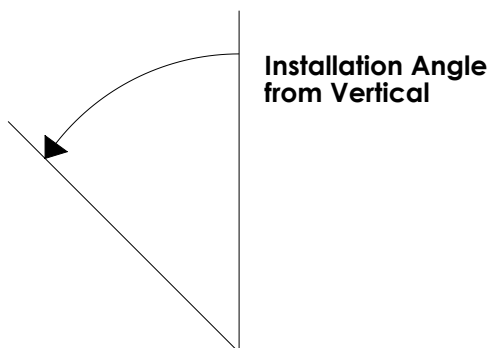


Sway Brace assemblies are intended to be installed in accordance with NFPA®-13 and the manufacturer's installation instructions.

The required type, number, and size of fasteners used for the structure attachment fitting shall be in accordance with NFPA-13.

\*Part numbers and article numbers are for EG only. Other coatings available. Contact customer service for availability.

\*\*Metric pipe sizes are not UL listed.



#### WARNING:

1. Pentair products shall be installed and used only as indicated in Pentair product instruction sheets and training materials. Instruction sheets are available at [www.erico.pentair.com](http://www.erico.pentair.com) and from your Pentair customer service representative.
2. PENTAIR products must never be used for a purpose other than the purpose for which they were designed or in a manner that exceeds specified load ratings.
3. All instructions must be **completely** followed to ensure proper and safe installation and performance.
4. Improper installation, misuse, misapplication or other failure to completely follow Pentair's instructions and warnings may cause product malfunction, property damage, serious bodily injury and/or death, and void your warranty.
5. Products that are manufactured using spring steel components shall be used only in a non-corrosive indoor environment.
6. All pipe supports, hangers, intermediate components and structural attachments must **ONLY** be used as described herein and are **NEVER** to be used for any other purpose.

NOTE: All load ratings are for static conditions and do not account for dynamic loading such as wind, water or seismic loads, unless otherwise noted.

The customer is responsible for:

- a. Conformance to all governing codes.
- b. The integrity of structures to which the products are attached, including their capability of safely accepting the loads imposed, as evaluated by a qualified engineer.
- c. Using appropriate industry standard hardware as noted above.

#### SAFETY INSTRUCTIONS:

All governing codes and regulations and those required by the job site must be observed. Always use appropriate safety equipment such as eye protection, hard hat, and gloves as appropriate to the application.



Pentair, CADDY, ERICO CADWELD, ERICO CRITEC, ERICO, ERIFLEX, and LENTON are owned by Pentair or its global affiliates. All other trademarks are the property of their respective owners. Pentair reserves the right to change specifications without prior notice.

UL® Loads (Listed for Sway Braces) lbs (N)					
EG Finish*	Lateral				
Part Number	Youngstown Tube Fire Flow	Bull Moose Eddy Flow	Wheatland Mega Flow	Sch 10 Service Pipe	Sch 40 Service Pipe
CSB0100	N/A	N/A	N/A	2,765 (12,299)	2,765 (12,299)
CSB0125	N/A	2,765 (12,299)	2,765 (12,299)	2,765 (12,299)	2,765 (12,299)
CSB0150	2,765 (12,299)				
CSB0200					
CSB0250					
CSB0300					
CSB0400					
CSB0500	N/A	N/A	N/A	2,765 (12,299)	2,765 (12,299)
CSB0600	N/A	N/A	2,765 (12,299)	2,765 (12,299)	2,765 (12,299)
CSB0800	N/A	N/A	N/A	2,765 (12,299)	2,765 (12,299)
CSB1000	N/A	N/A	N/A	2800 (12,455)	2800 (12,455)

UL® Loads (Listed for Sway Braces) lbs (N)					
EG Finish*	Longitudinal				
Part Number	Youngstown Tube Fire Flow	Bull Moose Eddy Flow	Wheatland Mega Flow	Sch 10 Service Pipe	Sch 40 Service Pipe
CSB0100	N/A	N/A	N/A	1,600 (7,117)	1,600 (7,117)
CSB0125	N/A	1,000 (4,448)	1,000 (4,448)	1,000 (4,448)	1,000 (4,448)
CSB0150	1,600 (7,117)				
CSB0200	2,015 (8,963)				
CSB0250					
CSB0300	2,100 (9,341)				
CSB0400	2,600 (11,565)	2,600 (11,565)	2,600 (11,565)	2,600 (11,565)	2,600 (11,565)
CSB0500	N/A	N/A	N/A	2,600 (11,565)	2,600 (11,565)
CSB0600	N/A	N/A	2,600 (11,565)	2,600 (11,565)	2,600 (11,565)
CSB0800	N/A	N/A	N/A	2,600 (11,565)	2,600 (11,565)
CSB1000	N/A	N/A	N/A	2,800 (12,455)	2,800 (12,455)

- A) UL Listed for use with Lightwall Service Pipe, Schedule 10, and Schedule 40 Service Pipe, for use with 1 to 2 NPS Schedule 40 brace pipe.
- B) \*Part numbers and article numbers are for EG only. Other coatings available. Contact customer service for availability.



Pentair, CADDY, ERICO CADWELD, ERICO CRITEC, ERICO, ERIFLEX, and LENTON are owned by Pentair or its global affiliates. All other trademarks are the property of their respective owners. Pentair reserves the right to change specifications without prior notice.

EG Finish*	Orientation to Sprinkler Pipe	Service Pipe Size		FM® Horizontal Load Ratings lbs (N)				Pipe Schedule
				Installation Angle				
		Inch	mm	30° - 44°	45° - 59°	60° - 74°	75° - 90°	
CSB0100	Lateral	1	25	1,490 (6,628)	2,110 (9,386)	2,580 (11,476)	2,900 (12,900)	LW, 10, 40
CSB0125		1 - 1/4	32	1,380 (6,139)	1,960 (8,719)	2,400 (10,676)	2,690 (11,966)	
CSB0150		1 - 1/2	40					
CSB0200		2	50	1,440 (6,405)	2,030 (9,030)	2,490 (11,076)	2,790 (12,411)	
CSB0250		2 - 1/2	65					
CSB0300		3	85	1,390 (6,183)	1,970 (8,763)	2,420 (10,765)	2,710 (12,055)	
CSB0400		4	100					
CSB0500		5	125	1,460 (6,494)	2,060 (9,163)	2,520 (11,210)	2,830 (12,588)	
CSB0600		6	150					
CSB0800		8	200	1,330 (5,916)	1,880 (8,363)	2,300 (10,231)	2,580 (11,476)	
CSB1000		10	250					
CSB0100		Longitudinal	1	25	1,290 (5,738)	1,240 (5,516)	1,260 (5,605)	
CSB0125	1 - 1/4		32	1,200 (5,338)	1,860 (8,274)			
CSB0150	1 - 1/2		40					
CSB0200	2		50	1,320 (5,872)	1,820 (8,096)	2,190 (9,742)	2,500 (11,121)	
CSB0250	2 - 1/2		65					
CSB0300	3		80	1,300 (5,783)	1,790 (7,962)	2,190 (9,742)	2,630 (11,699)	
CSB0400	4		100					
CSB0500	5		125	1,410 (6,272)	1,950 (8,674)	2,350 (10,453)	2,680 (11,921)	
CSB0600	6		150					
CSB0800	8		200	1,400 (6,228)	1,920 (8,541)	2,350 (10,453)	2,640 (11,743)	
CSB1000	10		250					

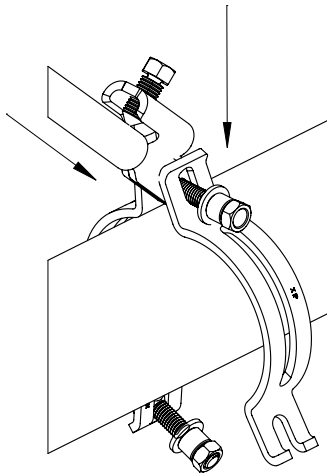
## Notes:

- A) FM approved when used with 1", 1-1/4" or 2" (DN25, DN32, DN40, DN50) NPS Schedule 40, GB/T 3091, EN 10255 (Heavy), AS 1074 (Heavy) or JIS G3454 brace pipe.
- B) Load ratings for Schedule 40 above may also be applied to AS 1074 (Heavy), GB/T 3091, EN 10255 (Heavy) and JIS G3454 pipe.
- C) Load ratings for Schedule 40 above may also be applied to AS 1074 (Medium), GB/T 3091, EN 10255 (Medium or Heavy), JIS G3452, FM approved Thinwall, and Schedule 40 pipes unless otherwise indicated.
- D) Load ratings for LW above refers to FM Approved Lightwall Pipe, commonly referred to as "Schedule 7". These ratings may also be applied to A1074 Lightwall, EN 10255 L, EN 10220, and GB/T 8163 pipe unless otherwise specified.
- E) Load ratings for "0.188 wall" above may be applied to any thicker walled pipe unless otherwise specified.
- F) \*Part numbers and article numbers are for EG only. Other coatings available. Contact customer service for availability.



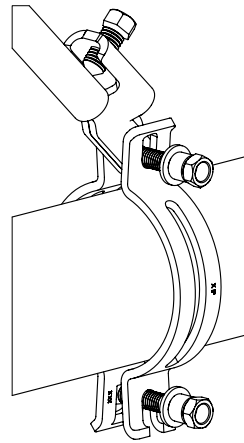
Pentair, CADDY, ERICO CADWELD, ERICO CRITEC, ERICO, ERIFLEX, and LENTON are owned by Pentair or its global affiliates. All other trademarks are the property of their respective owners. Pentair reserves the right to change specifications without prior notice.

#1

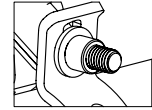
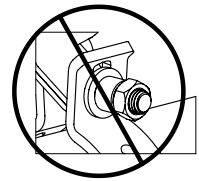


Insert brace pipe and drop clamp over service pipe

#2

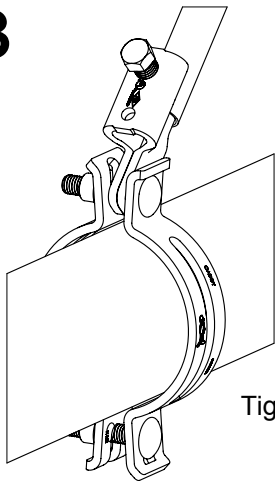


Tighten nuts until head snaps off

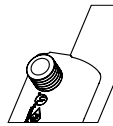
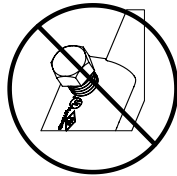


Note: Alternate torque between nuts evenly

#3

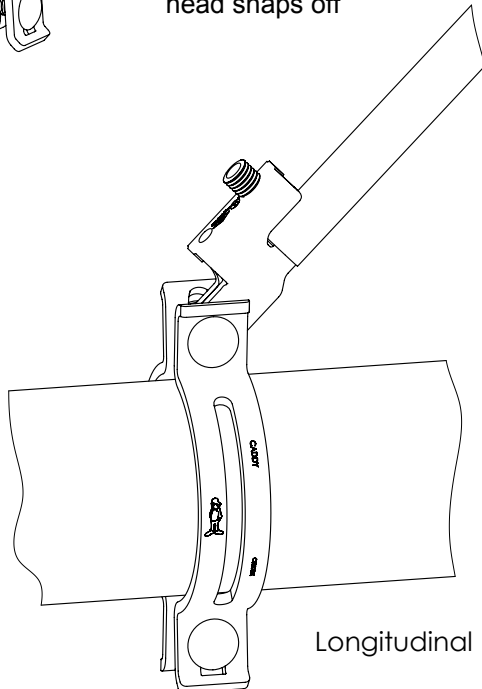


Tighten set screw until head snaps off

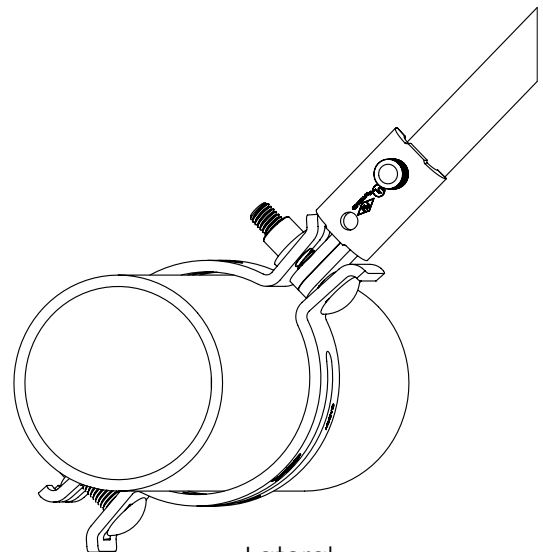


CSBXXXX is a Sway Brace Fitting to be combined with a CADDY brand Structural Attachment Fitting and "Bracing Pipe" to form a complete bracing assembly.

Sway Braces shall be installed in accordance with NFPA®-13.



Longitudinal



Lateral



Pentair, CADDY, ERICO CADWELD, ERICO CRITEC, ERICO, ERIFLEX, and LENTON are owned by Pentair or its global affiliates. All other trademarks are the property of their respective owners. Pentair reserves the right to change specifications without prior notice.