

NOW FEATURING MOLDED CIOD FITTINGS



MULTI FITTINGS DR18 CIOD NON-PRESSURE SEWER FITTINGS

- Molded White in 4"- 8" sizes
- Fabricated (green or blue) in larger diameters

APPLICATIONS

- Gravity sewer drainage applications
- Non-pressure applications
- Seismic applications
- Under roadbeds and higher road load applications
- Transitions from CIOD to sewer

FEATURES & BENEFITS

- White in color molded
- Molded in 4"-8" configurations
- Long-term reliability
- Easy to install
- High impact strength
- Corrosion resistant

SIZES

Molded: 4" - 8"
Fabricated: 4" - 12"

MULTI FITTINGS

Telephone: 519 681-2140
Toll Free: 800 265-1815
Fax: 519 681-2156



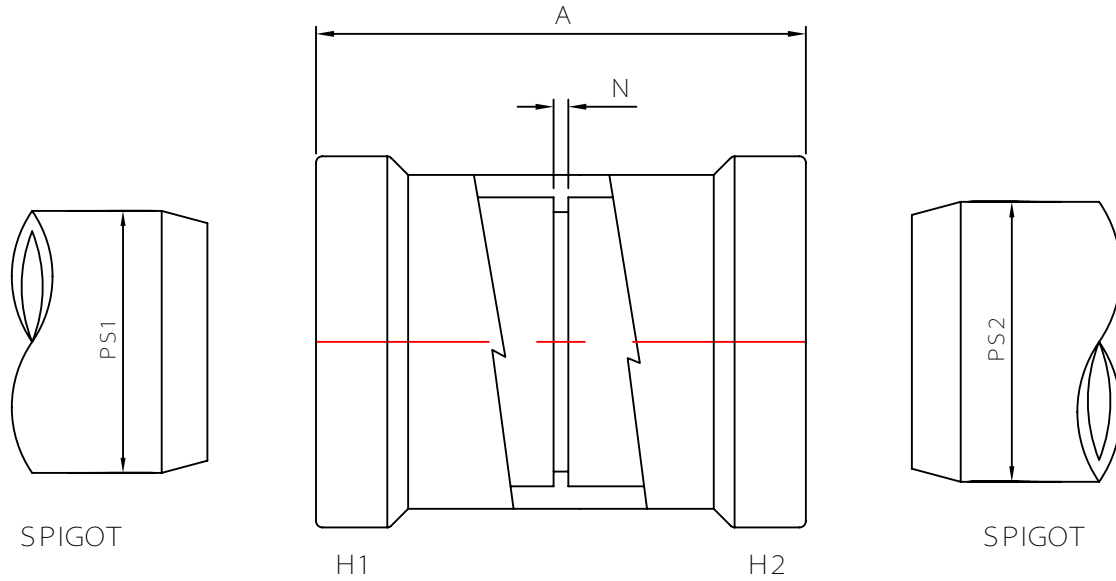


MULTI FITTINGS

LAYING LENGTH

ISSUE DATE: 2017 11 30
SUPERCEDES: 2005 08 05

ADAPTER - IPS x C900 (BxB)



INJECTION MOLDED FITTING (M)

	PS1	SIZE H1xH2	PART NUMBER	A REF	N	PS2
M=	IPS - 4.500	4x4	274039	8.125	0.250	C900 - 4.800
M=	IPS - 6.625	6x6	274040	10.750	0.250	C900 - 6.900

Note:= Refer to Page C9S4 for Hub Detail