

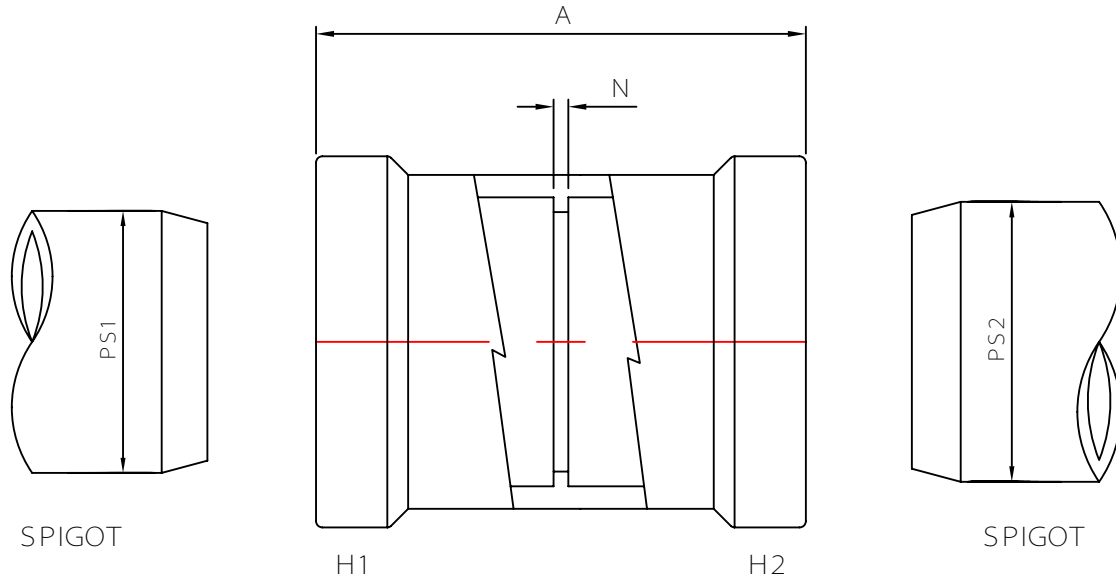


MULTI FITTINGS

LAYING LENGTH

ISSUE DATE: 2017 11 30
 SUPERCEDES: 2005 08 05

ADAPTER - IPS x C900 (BxB)



INJECTION MOLDED FITTING (M)

	PS1	SIZE H1xH2	PART NUMBER	A REF	N	PS2
M=	IPS - 4.500	4x4	274039	8.125	0.250	C900 - 4.800
M=	IPS - 6.625	6x6	274040	10.750	0.250	C900 - 6.900

Note:= Refer to Page C9S4 for Hub Detail