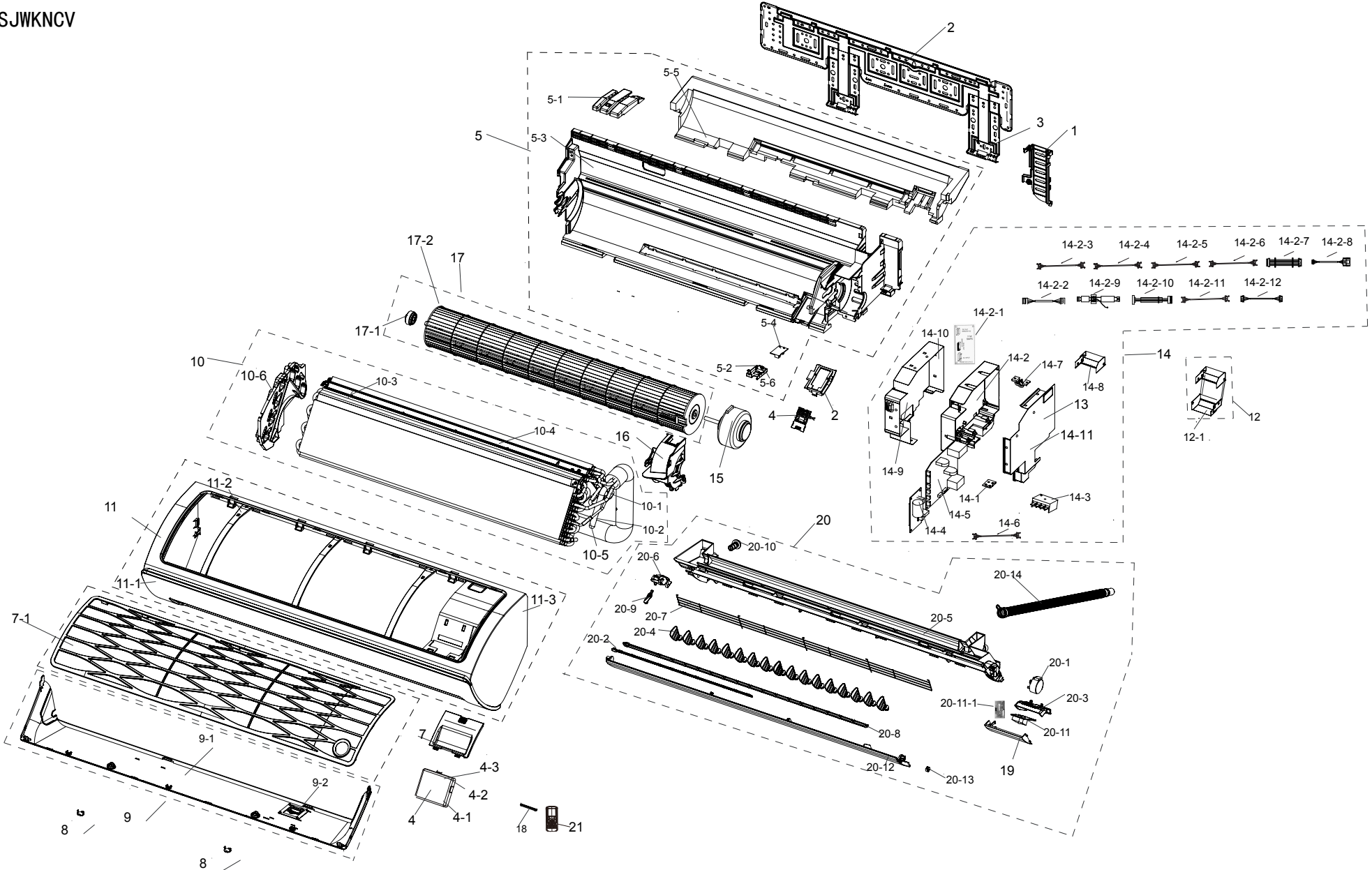


Exploded Views and Parts List

INDOOR UNIT

AR18HSFSJWKNCV



Parts List

Exploded Views and Parts List

NO	Parts Code	Parts Description	Quantity	Service
			AR18FHSJWKNCV	
1	DB61-05852A	HOLDER-PIPE	1	SNA
2	DB90-07731A	ASSY HANGER	1	SA
3	DB61-05900A	HANGER-LINK	1	SNA
4	DB90-07763A	ASSY-WIFI KIT	1	SNA
4-1	DB61-05847A	CASE PCB	1	SA
4-2	DB63-03503A	COVER PCB	1	SA
4-3	DB92-02875A	ASSY PCB SUB	1	SA
5	DB94-04161H	ASSY BACK BODY	1	SA
5-1	DB61-05849A	HOLDER	1	SA
5-2	DB61-05854A	CASE PCB-REMOCON	1	SNA
5-3	DB61-05870B	BODY BACK	1	SNA
5-4	DB92-02874A	ASSY PCB SUB	1	SA
5-5	DB62-11537A	SEAL CUSHION-BODY	1	SNA
5-6	DB94-04100A	ASSY PCB SMD	1	SNA
6	DB63-03494A	COVER PANEL-SUB	1	SA
7	DB94-04358A	ASSY FILTER-PRE	1	SA
7-1	DB63-03525A	FILTER-PRE	1	SA
8	DB67-01404B	CAP-SCREW	3	SNA
9	DB92-02906B	ASSY-COVER PANEL	1	SNA
9-1	DB63-03504B	COVER PANEL	1	SNA
9-2	DB64-03045A	BUTTON POWER	1	SA
10	DB96-19009A	ASSY EVAP TOTAL	1	SA
10-1	DB96-18946A	ASSY TUBE EVAP IN	1	SNA
10-2	DB96-18947A	ASSY TUBE EVAP OUT	1	SNA
10-3	DB63-03510A	COVER EVAP	1	SA
10-4	DB63-03512A	COVER EVAP	1	SA
10-5	DB67-60030A	SPRING-SENSOR	2	SA
10-6	DB61-05851A	HOLDER EVAP	1	SNA
11	DB92-02903B	ASSY PANEL FRONT	1	SA
11-1	DB64-02997D	GRILLE INLET	1	SNA
11-2	DB64-02996A	PANEL FRONT	1	SNA
11-3	DB92-02905A	ASSY PANEL FRONT SUB	1	SA
12	DB90-07861A	ASSY PLATE-MIDDLE	1	SA
12-1	DB61-06079A	PLATE CONTROL-MIDDLE	1	SC
13	DB90-07796A	ASSY PLATE-CONTROL	1	SNA
14	DB90-08174C	ASSY CASE CONTROL IN	1	SNA
14-1	DB61-05812A	PLATE CONTROL-SUB	1	SA
14-2	DB93-14738F	ASSY CONTROL IN	1	SNA
14-2-1	DB61-05963A	SUPPORT-CONTROL	1	SA
14-2-2	DB93-14724A	ASSY CONNECTOR WIRE-MOTOR	1	SA
14-2-3	DB93-14203A	ASSY CONNECTOR WIRE-POWER	1	SA
14-2-4	DB93-14206A	ASSY CONNECTOR WIRE-DC SIGNAL	1	SA
14-2-5	DB93-14245A	ASSY CONNECTOR WIRE-EARTH	1	SA
14-2-6	DB93-14237A	ASSY CONNECTOR WIRE-COMM	1	SNA
14-2-7	DB93-14221A	ASSY CONNECTOR WIRE-DC SIGNAL	1	SA
14-2-8	DB93-14208A	ASSY CONNECTOR WIRE-DC SIGNAL	1	SA
14-2-9	DB93-06677A	ASSY CONNECTOR WIRE	1	SA
14-2-10	DB93-14207B	ASSY CONNECTOR WIRE-DC SIGNAL	1	SA
14-2-11	DB93-14209B	ASSY CONNECTOR WIRE-DISPLAY	1	SA
14-2-12	DB93-14218A	ASSY CONNECTOR WIRE-DC SIGNAL	1	SA
14-3	DB65-00326D	TERMINAL BLOCK	1	SA
14-4	DB92-02861A	ASSY MODULE	1	SA
14-5	DB92-02873C	ASSY PCB MAIN	1	SA
14-6	DB95-05163A	ASSY THERMISTOR IN	1	SA
14-7	DB61-05871A	HOLDER-WIRE	1	SNA
14-8	DB61-05965A	PLATE CONTROL-UP	1	SA
14-9	DB93-14211A	ASSY CONNECTOR WIRE-DC SIGNAL	1	SA
14-10	DB61-05961A	PLATE CONTROL-LEFT	1	SA
14-11	DB61-05960A	PLATE CONTROL-RIGHT	1	SA
15	DB31-00637A	MOTOR BLDC FAN	1	SNA
16	DB63-03492A	COVER MOTOR	1	SA
17	DB94-04183A	ASSY FAN CROSS-TOTAL	1	SA
17-1	DB94-00455B	ASSY-RUBBER BEARING	1	SC
17-2	DB94-03085A	ASSY FAN CROSS	1	SA
18	4301-000121	BATTERY-MN	2	SA
19	DB90-07953A	ASSY COVER DISPLAY	1	SNA
20	DB94-04179B	ASSY TRAY DRAIN	1	SA
20-1	DB31-00369D	MOTOR STEP	2	SA
20-2	DB66-01729A	LINK BLADE-A	1	SNA
20-3	DB61-05827A	CASE-DISPLAY	1	SA
20-4	DB61-05846A	BLADE V	21	SA
20-5	DB63-03502A	TRAY DRAIN	1	SNA
20-6	DB61-05872A	GUIDE BLADE	1	SA
20-7	DB63-03531A	GUARD-SCREEN	1	SNA
20-8	DB66-01750A	LINK BLADE-A	1	SA
20-9	DB66-01730A	LINK BLADE-B	1	SA
20-10	DB73-00180B	RUBBER-CAP DRAIN	1	SA
20-11	DB90-08116B	ASSY CASE PCB-DISPLAY	1	SNA
20-11-1	DB92-02877A	ASSY PCB DISPLAY	1	SA
20-12	DB92-02916A	ASSY BLADE H	1	SA
20-13	DB61-03132A	HOLDER-BLADE OUT	2	SNA
20-14	DB94-00458H	ASSY HOSE DRAIN	1	SA
21	DB93-14195G	ASSY WIRELESS REMOCON	1	SA