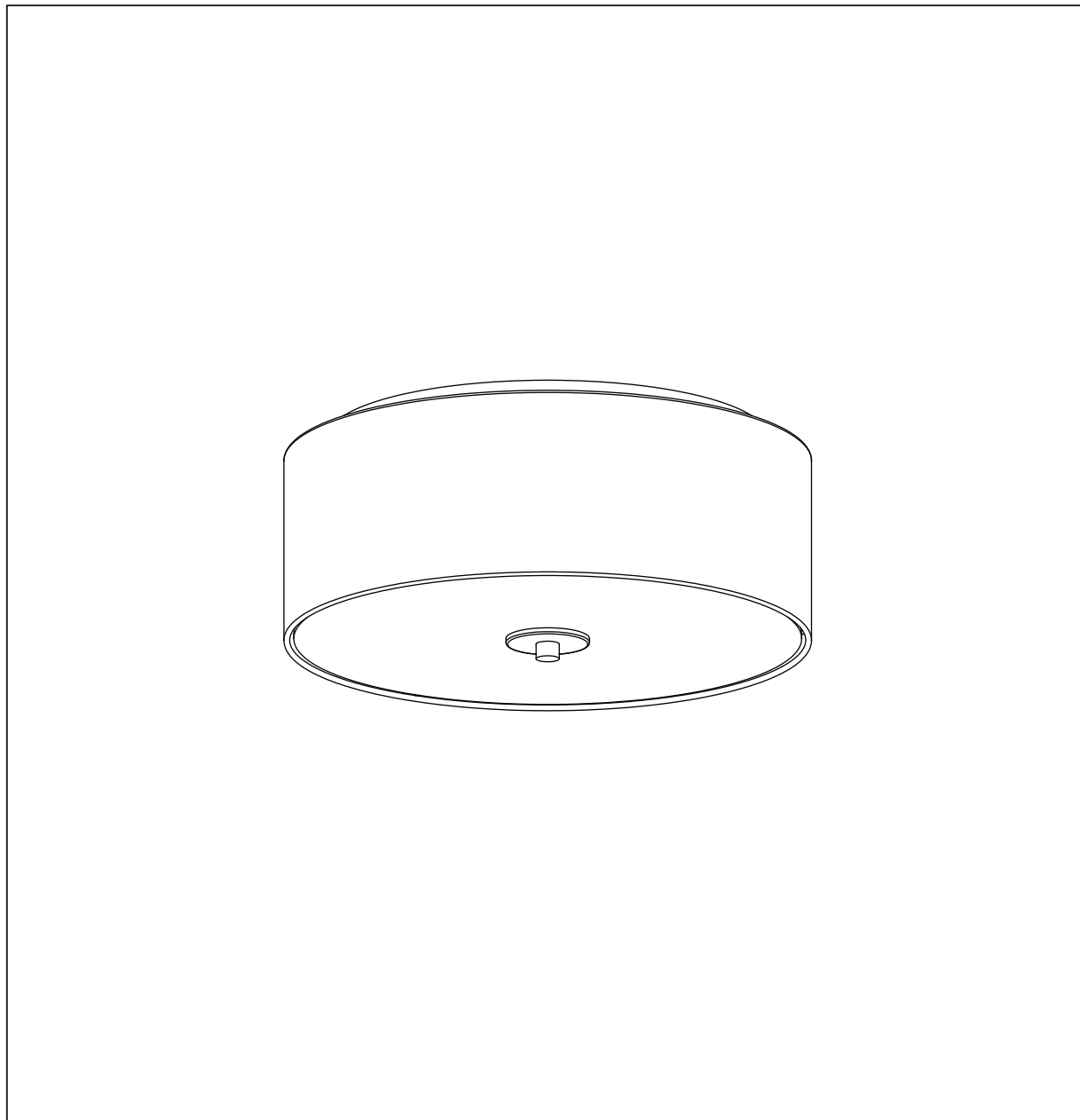




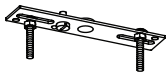
PRODUCT NAME: Bongo 3-Light Flush Mount
ITEM NUMBER: 10010

Please consult your electrician for hanging fixture and wiring.



Bulb (not included): 3x60W Medium Base Bulb

IMPORTANT: Turn off the power at the main fuse or circuit breaker box before starting installation



(A) Bracket



(B) Ball Nuts
2Pcs



(C) Mounting Screws
2Pcs



(D) Hex Nuts
3Pcs



(E) Glass



(F) Nipple



(G) Metal Washer



(H) Rubber Washer

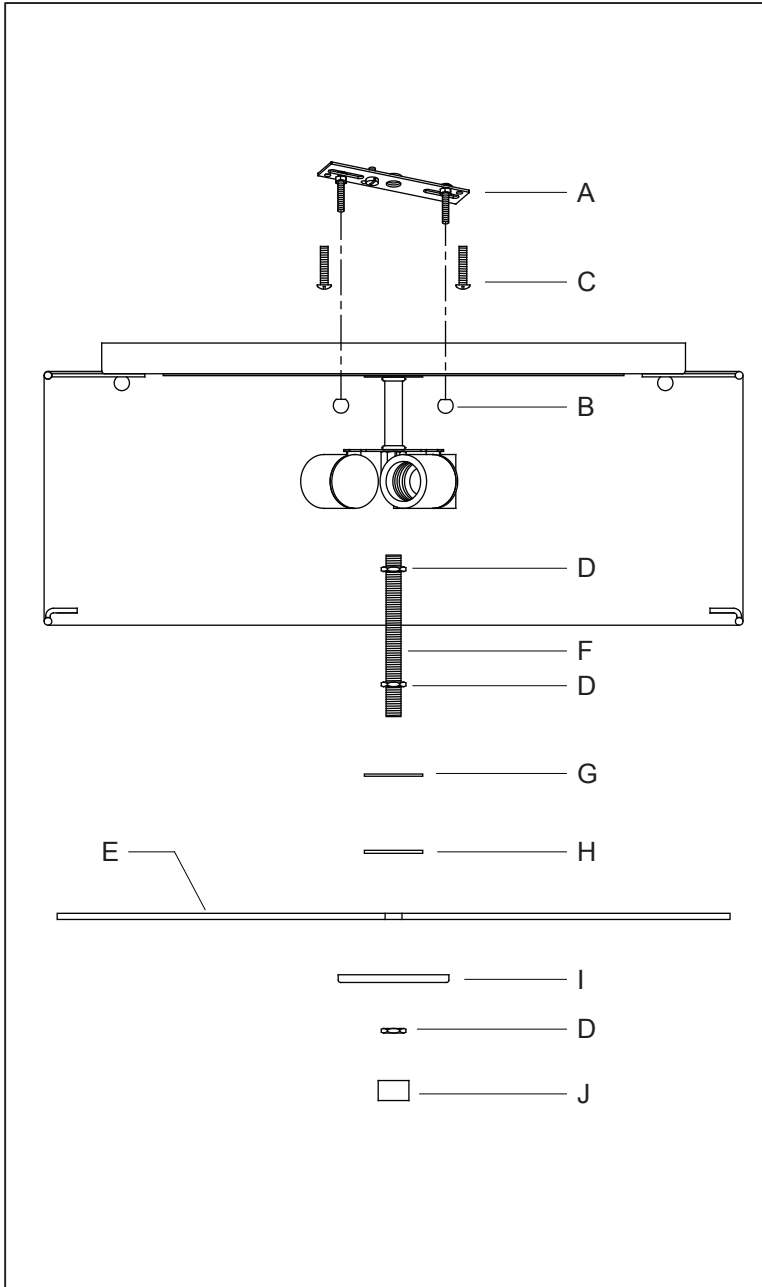


(I) Cap

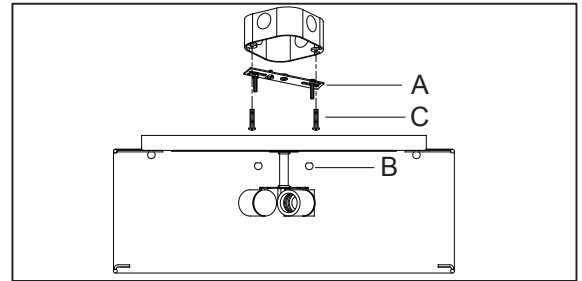


(J) Finial

Locate all hardware & components before discarding packaging

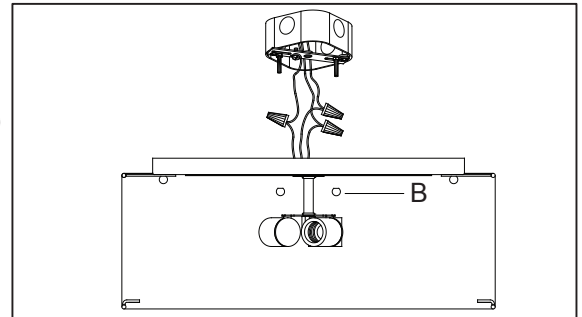


1.)



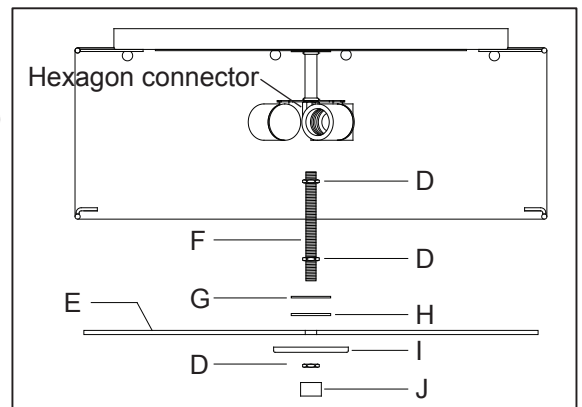
Step1: Remove mounting bracket from fixture and install to electrical box.

2.)



Step2: Wire fixture to wires in outlet box. Copper wire is for Ground. Attach canopy to mounting bracket and tighten with ball nuts.

3.)



Step2: Thread the nipple into Hexagon connector, then secured by hex nut. Put the metal washer and rubber washer on the nipple, adjust them close to the glass diffuser by the hex nut, then put the glass diffuser on the shade spider, and put the Cap close to the glass diffuser, then secured by hex nut and finial.

Cleaning & Care:
Clean with soft cloth and a mild detergent.
Do not use abrasive cleaner.