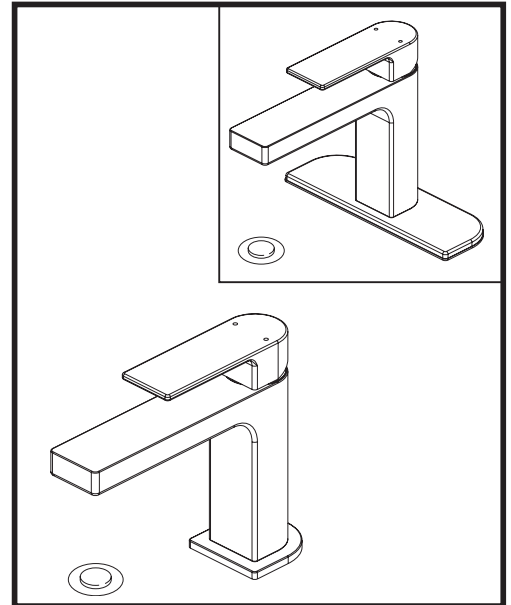


# PEERLESS®

P1519LF▲  
 P1519LF▲-M  
 P1519LF▲-LPU  
 P1519LF▲-0.5  
 P1519LF▲-M-0.5  
 P1519LF▲-LPU-0.5



## BATHROOM FAUCET

- Single Handle Deck Mount
- 1 or 3 Hole Sink Applications

### STANDARD SPECIFICATIONS:

- Maximum 1.0 gpm @ 60 psi, 3.8 L/min @ 414 kPa (P1519LF▲, P1519LF▲-M & P1519LF▲-LPU)
- Maximum 0.5 gpm @ 60 psi, 1.9 L/min @ 414 kPa (P1519LF▲-0.5, P1519LF▲-M-0.5 & P1519LF▲-LPU-0.5)
- Solid brass casted body
- One or three hole mount (escutcheon optional, included)
- Ceramic cartridge
- Red/Blue indicator markings
- Polymer braided flexible supply hose with 3/8" compression fitting - 29 7/16" (747mm) long
- Models with no suffix have 50/50 pop-up type fitting with plated flange and stopper
- Models with suffix "M" have metal drain with pop-up type fitting with plated flange and stopper
- Models with suffix "LPU" are less pop-up

### WARRANTY:

- Parts and Finish - Lifetime limited warranty; or for commercial purchasers, 10 years for multi-family residential (apartments and condominiums) and 5 years for all other commercial uses, in each case from the date of purchase.

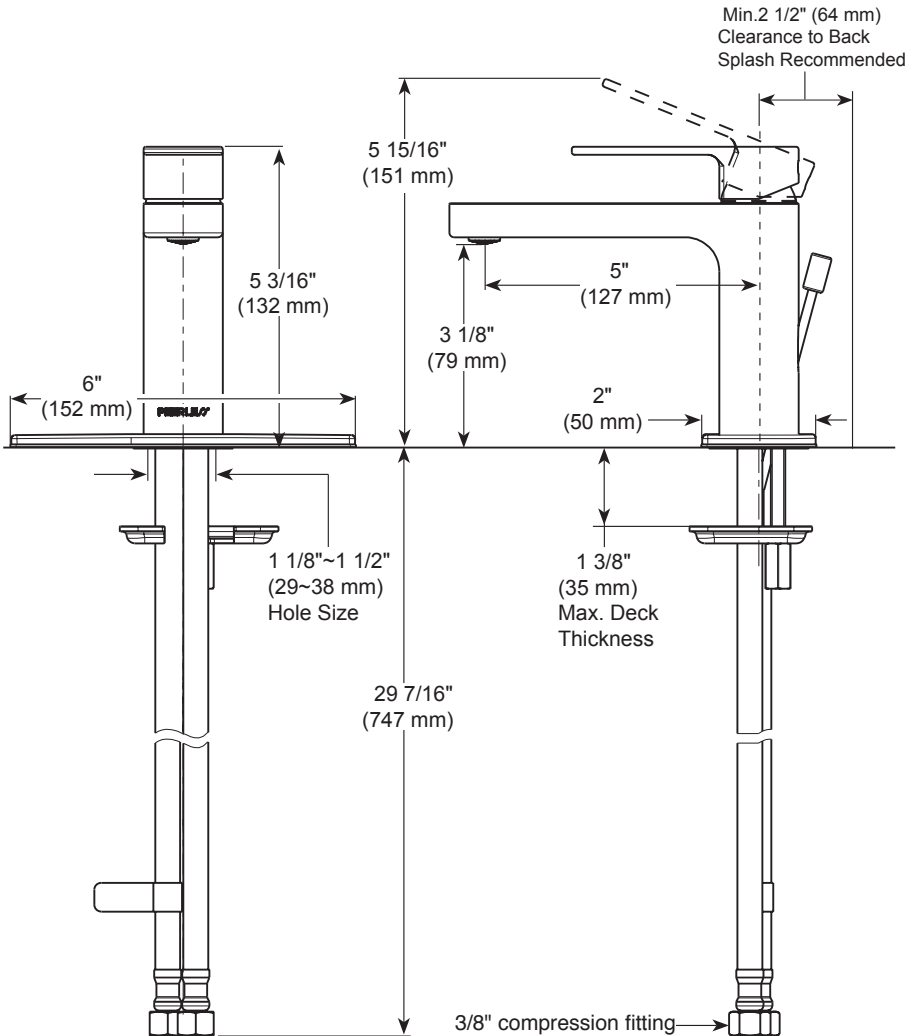


### COMPLIES WITH:

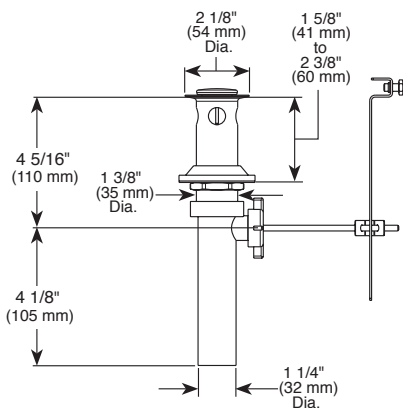
- ASME A112.18.1 / CSA B125.1
- ASME A112.18.2 / CSA B125.2

♿ Indicates compliance to ICC / ANSI A117.1

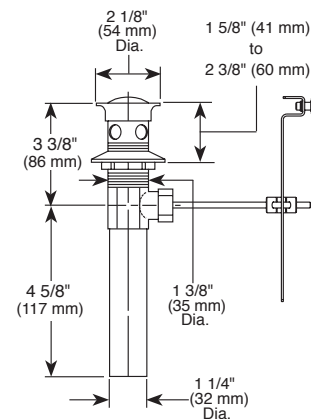
- EPA WaterSense® - Applies to P1519LF▲, P1519LF▲-M & P1519LF▲-LPU only



RP38958▲  
50/50 Pop-Up



RP26533▲  
Metal Pop-up



▲ Designate proper finish suffix