

Trim Kits

QuickTrim™ Kits

SPECIFICATIONS

FEATURES AND BENEFITS:

- No tools needed!
- Install chrome on the rough-in and easily upgrade to a special finish without removing the strainer body.
- Quickly and easily replace a damaged strainer body.
- Looks just as good as the original strainer body.
- Cover is thinner than a standard strainer body (.03") and will not create a water dam.
- The o-ring seal is all that is required; no silicone, plumber's putty, or epoxy is needed.
- Eliminates destroying the integrity of your test when removing a strainer body.
- Eliminates the labor required to remove and replace the strainer body.
- Eliminates the possibility of cross-threading or damaging the tub or of the drain fitting moving out of line when replacing the strainer body.

PATENTS:

- U.S. Patent No. 4,720,877; 5,758,368; 7,503,083 B2; Patents Pending



Model 939290
Model 959290



Model 91050

In order to take advantage of the full "total installed cost" benefits of Watco *QuickTrim*™ Kits, we recommend the following:

1. Purchase and install chrome Rough-In (RI) kits on all initial installations.
2. Purchase chrome Stopper/Faceplate (SF) kits for all chrome trim finishes.
3. Purchase kits for all special finish upgrades.
4. Purchase chrome *QuickTrim*™ strainer body covers for repair of chrome strainer bodies that have been damaged during rough-in.

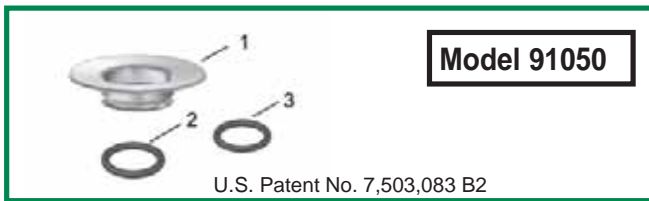


For More Information Contact:
WATCO Manufacturing Company
 1220 South Powell Road
 Independence, MO 64057-2724
 Ph. 816-796-3900 • FAX 816-796-0875
www.watcomfg.com

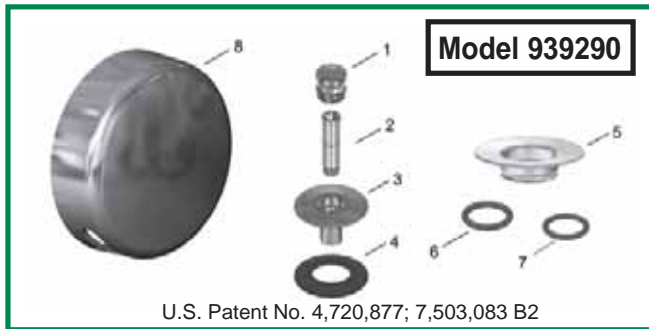
Finishes Available in the *QuickTrim*™ Series:

| Tub Closures: | PUSH PULL® | LIFT & TURN | PRESFLO® | FOOT ACT. |
|------------------------|------------|-------------|----------|-----------|
| CP - Chrome Plated | ● | ● | | ● |
| AB - Antique Brass | ● | ● | | |
| AP - Aged Pewter | ● | ● | | |
| BB - Brushed Bronze | ● | ● | | |
| BN - Brushed Nickel | ● | ● | | ● |
| BO - Bone | ● | ● | | |
| BS - Biscuit | ● | ● | | |
| BZ - Oil-Rubbed Bronze | ● | ● | | ● |
| CB - Chrome Brushed | ● | ● | | |
| NP - Nickel Polished | ● | ● | | ● |
| PB - Polished Brass | ● | ● | | ● |
| PN - Pearl Nickel | ● | ● | | |
| WH - White | ● | ● | | |
| WI - Wrought Iron | ● | ● | | |

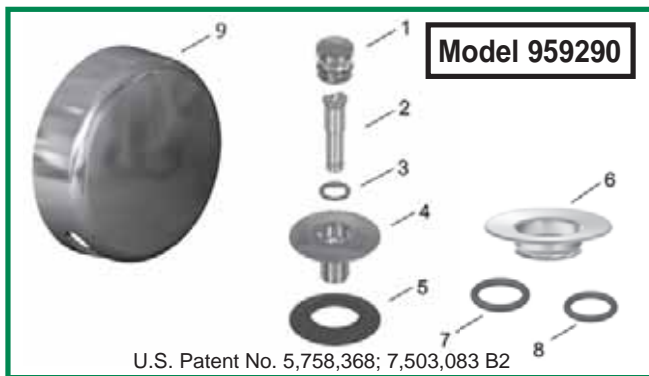
QuickTrim™ Kits Parts Lists



| Item | Part # | Strainer Body Cover |
|------|---------------|--|
| 1. | 01050CP | QuickTrim™ Strainer Body Cover |
| 2. | 11138..... | QuickTrim™ O-Ring (thick) for brass bodies |
| 3. | 11136..... | QuickTrim™ O-Ring (thin) for zinc bodies |



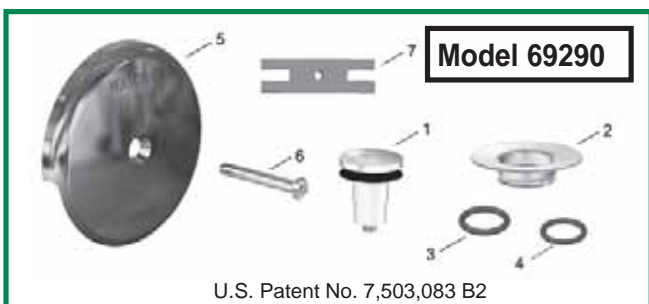
| Item | Part # | PUSH PULL® Innovator® Trim Kit |
|------|---------------|--|
| 1. | 01010CP | PUSH PULL® Knob, Brass |
| 2. | 11510..... | Friction Ring (11505) and Post (11532) |
| 3. | 01013CP | Stopper, Brass |
| 4. | 11507..... | Seal, 1 1/16" dia. |
| 5. | 01050CP | QuickTrim™ Strainer Body Cover |
| 6. | 11138..... | QuickTrim™ O-Ring (thick) for brass bodies |
| 7. | 11136..... | QuickTrim™ O-Ring (thin) for zinc bodies |
| 8. | 01004CP | Snap-on Overflow Plate, Innovator® |



| Item | Part # | LIFT AND TURN Innovator® Trim Kit |
|------|---------------|--|
| 1. | 01010CP | PUSH PULL® Knob, Brass |
| 2. | 11079..... | Lift and Turn "D" Pin, full length |
| 3. | 11088 | Lift and Turn "D" Ring |
| 4. | 11290CP | PUSH PULL® Stopper, Plastic, <u>Chrome</u> |
| | 01013__ | PUSH PULL® Stopper, Metal, <u>Finishes</u> |
| 5. | 11507..... | Seal, 1 1/16" dia |
| 6. | 01050CP | QuickTrim™ Strainer Body Cover |
| 7. | 11138..... | QuickTrim™ O-Ring (thick) for brass bodies |
| 8. | 11136..... | QuickTrim™ O-Ring (thin) for zinc bodies |
| 9. | 01004CP | Snap-on Overflow Plate, Innovator® |



| Item | Part # | Foot Actuated Innovator® Trim Kit |
|------|---------------|---|
| 1. | 38412CP | Foot Actuated Replacement Stopper, 3/8" pin |
| 2. | 01050CP | QuickTrim™ Strainer Body Cover |
| 3. | 11138..... | QuickTrim™ O-Ring (thick) for brass bodies |
| 4. | 11136..... | QuickTrim™ O-Ring (thin) for zinc bodies |
| 5. | 01004CP | Snap-on Overflow Plate, Innovator® |



| Item | Part # | Foot Actuated 1-Hole Trim Kit* |
|------|---------------|---|
| 1. | 38412CP | Foot Actuated Replacement Stopper, 3/8" pin |
| 2. | 01050CP | QuickTrim™ Strainer Body Cover |
| 3. | 11138..... | QuickTrim™ O-Ring (thick) for brass bodies |
| 4. | 11136..... | QuickTrim™ O-Ring (thin) for zinc bodies |
| 5. | 01002CP** ... | Overflow Plate, 1-Hole, metal |
| 6. | 01024CP | Overflow Plate Screw, 2.25" |
| 7. | 11641..... | Adapter Bar |

*All 1-hole trim kits are available in 2-hole trim kits. Add "2H" to end of part number (example: 69290-CP-2H).
 ** 01003CP Overflow Plate, 2-hole, metal