



Model 400ST SERIES

Enclosure Dimensions

450ST



450STDA



450STDAR



475ST



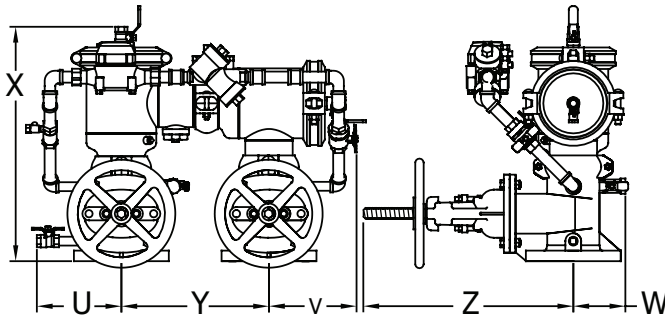
475STDA



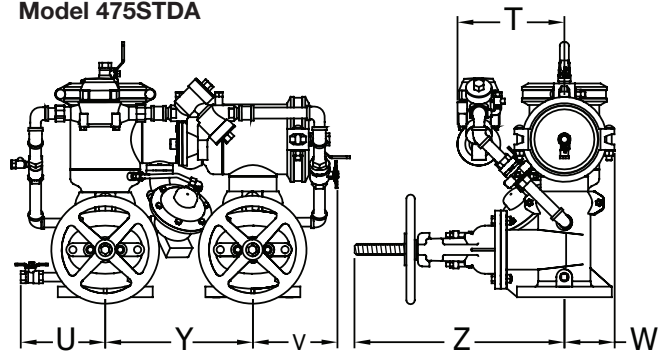
475STDAR



Model 450STDA



Model 475STDA



Dimensions & Weights (do not include pkg.)

SIZE	DIMENSIONS (approximate)																							
	U		V		X		X WITH BUTTERFLY VALVES		Y		Y WITH SPOOL		Z OS&Y OPEN		Z OS&Y CLOSED		Z NRS GATES		Z WITH BUTTERFLY VALVES		T		W	
	in.	mm	in.	mm	in.	mm	in.	mm	in.	mm	in.	mm	in.	mm	in.	mm	in.	mm	in.	mm	in.	mm	in.	mm
4"	7	178	7 1/4	184	22 1/4	565	19 7/8	505	14	356	18 5/16	465	22 1/2	572	9	230	14 1/2	368	9	230	10 1/8	257	4 7/8	124
6"	9 1/8	232	10 1/2	267	27 7/8	708	24 3/4	630	16	406	18 11/16	465	30 1/2	775	10 1/2	267	18	457	10 1/4	260	10 5/8	270	6 1/4	159
8"	9 1/2	241	14 3/4	375	34 7/8	886	29 1/8	740	18 1/2	470	29	737	37	940	12	305	22	560	12	305	12 7/8	327	8 7/8	226
10"	10 1/2	267	15 7/8	403	38 3/4	984	35 3/4	908	21	533	29	737	45 5/8	1160	12	305	24 3/4	630	13	330	12 7/8	327	8 7/8	226