



# PFWF SERIES Light Commercial Wall Faucets

### Product Features

- Brass body
- Maximum operating pressure: 125 psi
- Maximum operating temperature: 120°F
- 3/4" Male hose thread outlet
- VACUUM BREAKER - ANTI-SIPHON, Model # BC-8000:
  - ASSE standard 1011 and CSA B64.2 approved
  - IAPMO listed / cUPC

### Optional Accessories / Available Parts

MODEL NUMBER	DESCRIPTION	FINISH	INLET	IOUTLET
PFWFDRB	*NP 1/2 FPT INL NF AREA WALL FCT RB	Rough Brass	1/2" NPT	3/4" MHT
PFWFDRC	*NP 1/2 FPT INL NF AREA WALL FCT RC	Rough Chrome	1/2" NPT	3/4" MHT
PFWFDCP	*NP 1/2 FPT INL NF AREA WALL FCT CP	Polished Chrome	1/2" NPT	3/4" MHT
PFWFFRB	*NP 3/4 FPT INL NF AREA WALL FCT RB	Rough Brass	3/4" NPT	3/4" MHT
PFWFFRC	*NP 3/4 FPT INL NF AREA WALL FCT RC	Rough Chrome	3/4" NPT	3/4" MHT
PFWFFCP	*NP 3/4 FPT INL NF AREA WALL FCT CP	Polished Chrome	3/4" NPT	3/4" MHT



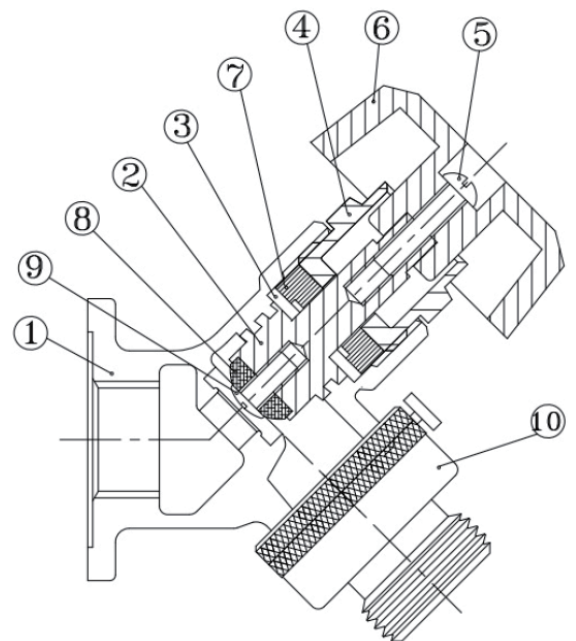
PFWFFCP

### Product Specifications

NO.	PART	MATERIAL	QTY
1	Body	Brass	1
2	Stem	Brass	1
3	Washer	Brass	1
4	Packing Nut	Brass	1
5	Handle Screw	Brass	1
6	Wheel Handle	Zinc Alloy	1
7	Packing	Graphite	1
8	Gasket	NBR	1
9	Gasket Screw	Brass	1
10	Vacuum Breaker	Brass	1

\*Installed with a Zinc alloy wheel handle.

\*Additional parts included: 1 zinc alloy loose key and 1 polycarbonate handle.



### Warranty and Codes

This PROFLO product carries a 1-year limited warranty.

 PROP65 WARNING FOR CALIFORNIA RESIDENTS  
WARNING: Cancer and Reproductive Harm  
[www.p65warnings.ca.gov](http://www.p65warnings.ca.gov)