

GSX16 "S" Remote Condensing Unit

GSX16S181AA
GSX16S241AA
GSX16S301AA
GSX16S301AB
GSX16S361AA
GSX16S421AA
GSX16S481AA



This manual is to be used by qualified technicians only.

This manual replaces RP-G4320.

© 2018 Goodman Manufacturing Company, L.P. ♦ 5151 San Felipe St., Suite 500 ♦ Houston, TX 77056

Important Information

Index

Functional Parts List	3
Illustration and Parts	4 - 9

Views shown are for parts illustrations only, not servicing procedures

Text Codes:

AR - As Required

NA - Not Available

NS - Not Shown

00000000 - See Note

QTY - Quantity Example (QTY 3) (If Quantity not shown, Quantity = 1)

M - Model Example (M1) (If M Code not shown, then part is used on all Models)

Expanded Model Nomenclature:

Example M1 - Model#1 M2 - Model#2 M3 - Model#3

Goodman Manufacturing Company, L.P. is not responsible for personal injury or property damage resulting from improper service. Review all service information before beginning repairs.

Warranty service must be performed by an authorized technician, using authorized factory parts. If service is required after the warranty expires, Goodman Manufacturing Company, L.P. also recommends contacting an authorized technician and using authorized factory parts.

Goodman Manufacturing Company, L.P. reserves the right to discontinue, or change at any time, specifications or designs without notice or without incurring obligations.

For assistance within the U.S.A. contact:
Homeowner Support
Goodman Manufacturing Company, L.P.
19001 Kermier Road
Waller, Texas 77484
877-254-4729-Telephone
713-863-2382-Facsimile

For assistance outside the U.S.A. contact:
International Division
Goodman Manufacturing Company, L.P.
19001 Kermier Road
Waller, Texas 77484
713-861-2500-Telephone
713-863-2382-Facsimile

Functional Parts

Part

No: Description:

50N382YV-ZAKQ	1.5T RECHI COMPRESSOR (4-LEGS) (M1)
50N492ZV-ZAKM	2.0TONRECHI COMPR.4 LEGS (M2)
0151R00081	7/8" BALL VALVE (M7)
0151R00079	BASE VALVE 3/4" (M1, M2)
0151R00167	BASE VALVE 3/8"
0151R00080	BASE VALVE 7/8" (M3, M4, M5, M6)
CAP050350440CS	CAPACITOR 5/35/440V (M1)
CAP050400440CT	CAPACITOR 5/40/440V/DUAL RD (M3, M4)
CAP050450440CT	CAPACITOR 5/45/440V/DUAL RD (M2, M5, M6, M7)
ZP24K5EPFV130	COMP,24000,208/230/60/1 (M3, M4)
ZP29K5EPFV130	COMP,29000,208/230/60/1 (M5)
ZP34K5EPFV130	COMPRESSOR 34500, 208/230/60/1 (M6)
ZP36K5EPFV130	COMPRESSOR 36200, 208/230/60/1 (M7)
CONT1P025024V	CONTACTOR 25 AMP, 1P, 24V (M1, M2, M5)
CONT1P030024V	CONTACTOR 30 AMP, 1P, 24V (M3, M4, M6, M7)
0150M00008	FAN BLADE 22" TNT2203-25 (M1, M2, M3, M4, M5)
0150M00054	FAN BLADE, 26" (M6, M7)
0131M00807	MOTOR, 1/4HP, 1SP, 8PL, AL (M7)
0131M00753	MOTOR, 1/6HP, 1SP, 8PL, AL (M1, M2, M3, M4, M5, M6)

SPECIAL PARTS

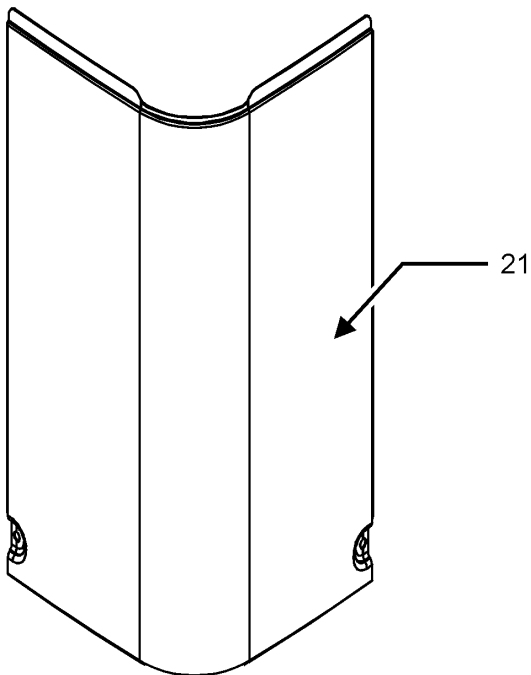
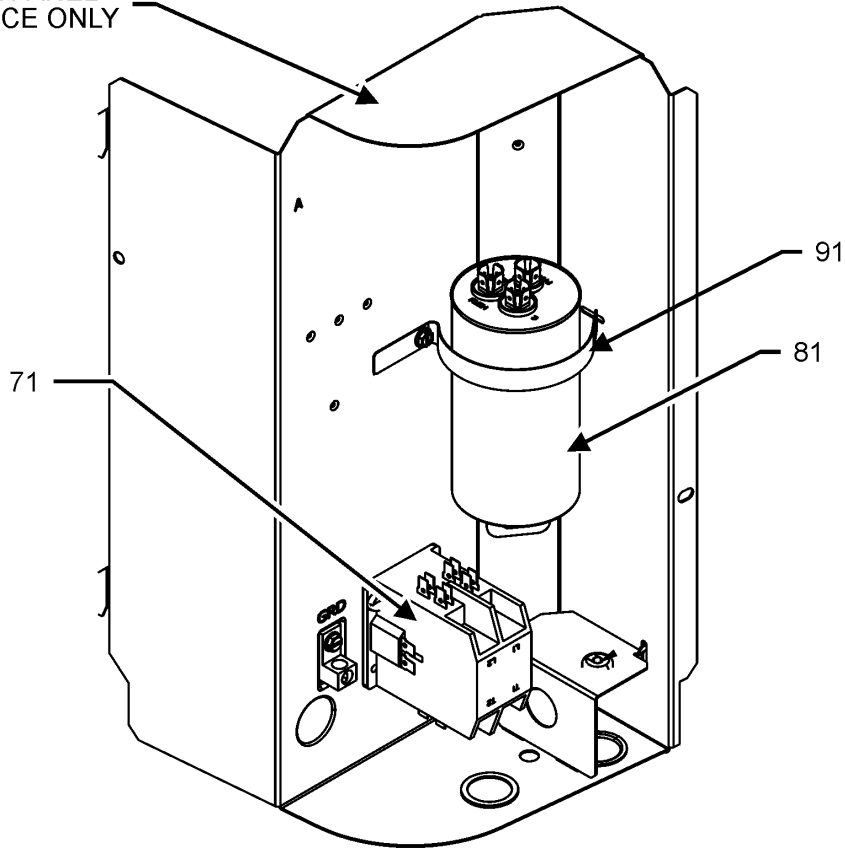
0161R00092 NAMEPLATE, GOODMAN

Expanded Model Nomenclature

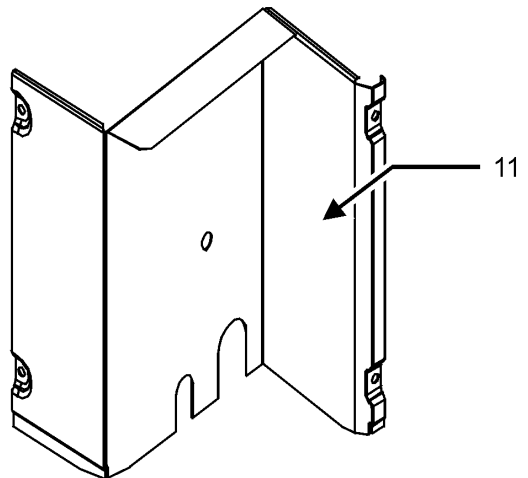
M1 - GSX16S181AA
M2 - GSX16S241AA
M3 - GSX16S301AA
M4 - GSX16S301AB
M5 - GSX16S361AA
M6 - GSX16S421AA
M7 - GSX16S481AA

Control Box Assembly

CONTROL PANEL
REFERENCE ONLY



UPPER PANEL ACCESS



LOWER PANEL ACCESS

Control Box Assembly

Ref. Part No: No:	Description:	Ref. Part No: No:	Description:
-------------------	--------------	-------------------	--------------

Image 1:

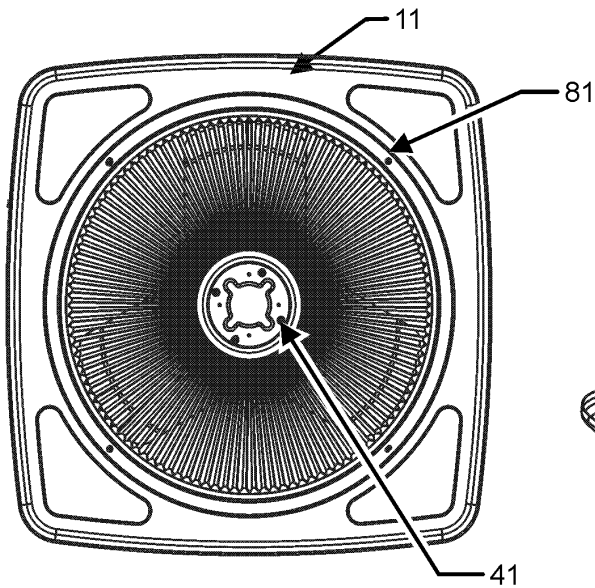
11	0121R00316PDG	LOWER ACCESS PANEL (M5, M7)
11	0121R00319PDG	LOWER ACCESS PANEL (M3, M4, M6)
11	0121R00663PDG	LOWER ACCESS PANEL (M1, M2)
21	0121R00053PDG	CONTROL COVER
71	CONT1P025024V	CONTACTOR 25 AMP, 1P, 24V (M1, M2, M5)
71	CONT1P030024V	CONTACTOR 30 AMP, 1P, 24V (M3, M4, M6, M7)
81	CAP050350440CS	CAPACITOR 5/35/440V (M1)
81	CAP050400440CT	CAPACITOR 5/40/440V/DUAL RD (M3, M4)
81	CAP050450440CT	CAPACITOR 5/45/440V/DUAL RD (M2, M5, M6, M7)
91	4400065	CAPACITOR STRAP
NS	0161R00092	NAMEPLATE, GOODMAN

Expanded Model Nomenclature

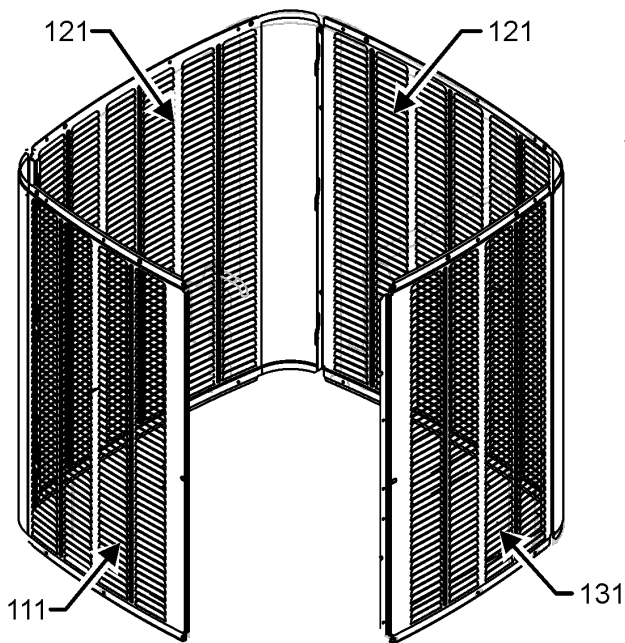
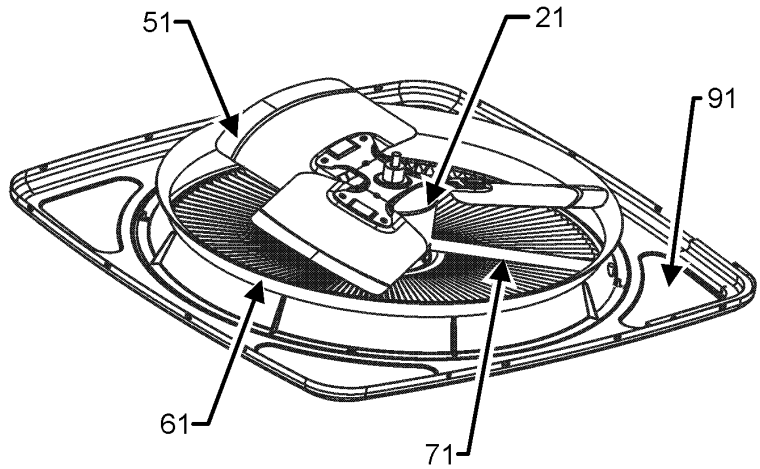
M1 - GSX16S181AA
M2 - GSX16S241AA
M3 - GSX16S301AA
M4 - GSX16S301AB
M5 - GSX16S361AA
M6 - GSX16S421AA
M7 - GSX16S481AA

Cabinet Top and Louver Side Panel Assy

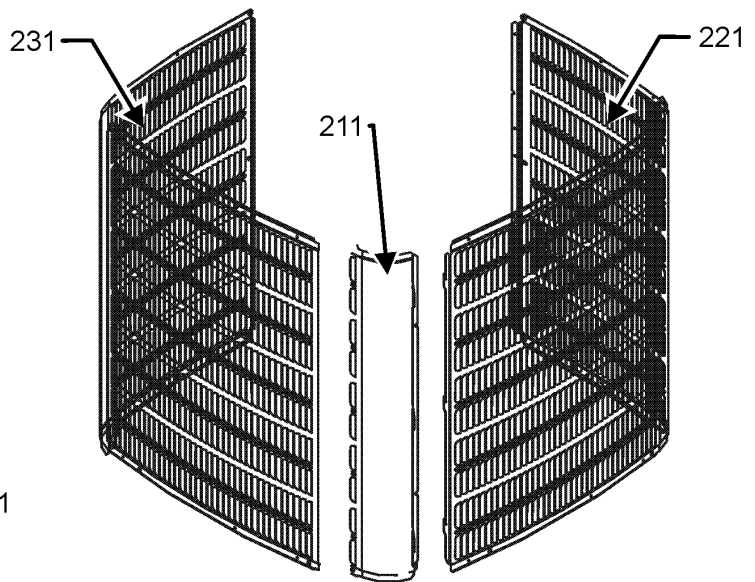
TOP PANEL ASSEMBLY
TOP VIEW



TOP PANEL ASSEMBLY
BOTTOM VIEW



LOUVER PANEL ASSEMBLY
STYLE 1



LOUVER PANEL ASSEMBLY
STYLE 2

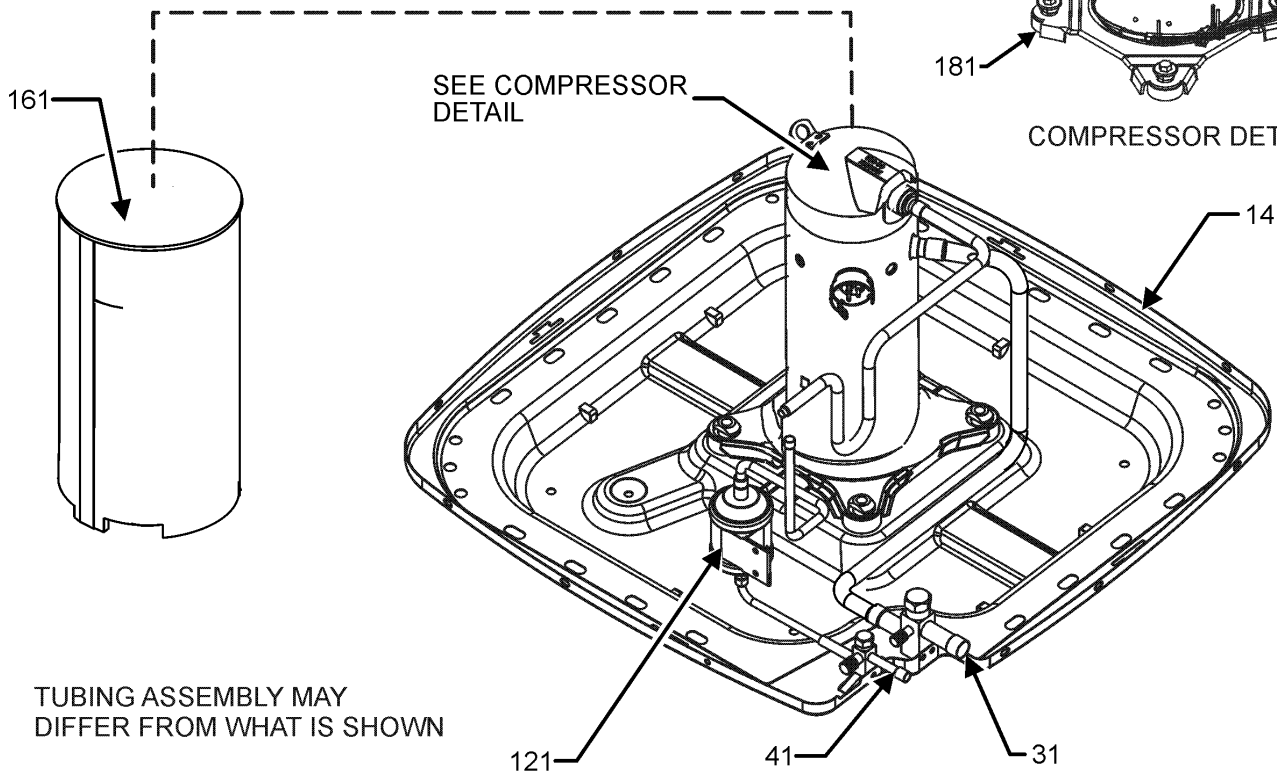
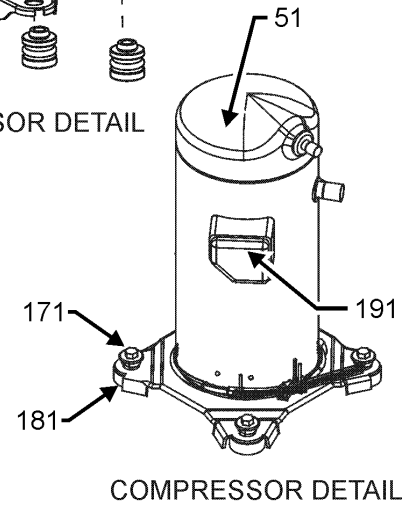
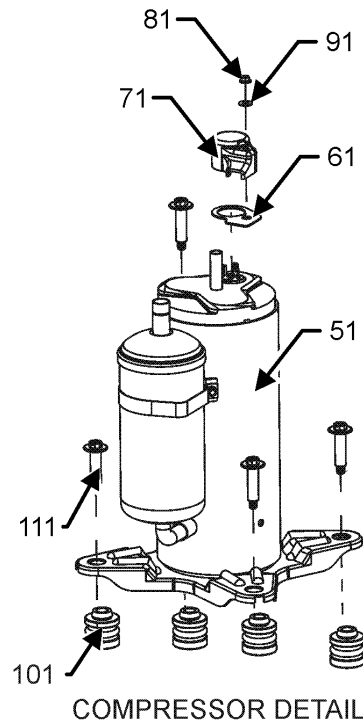
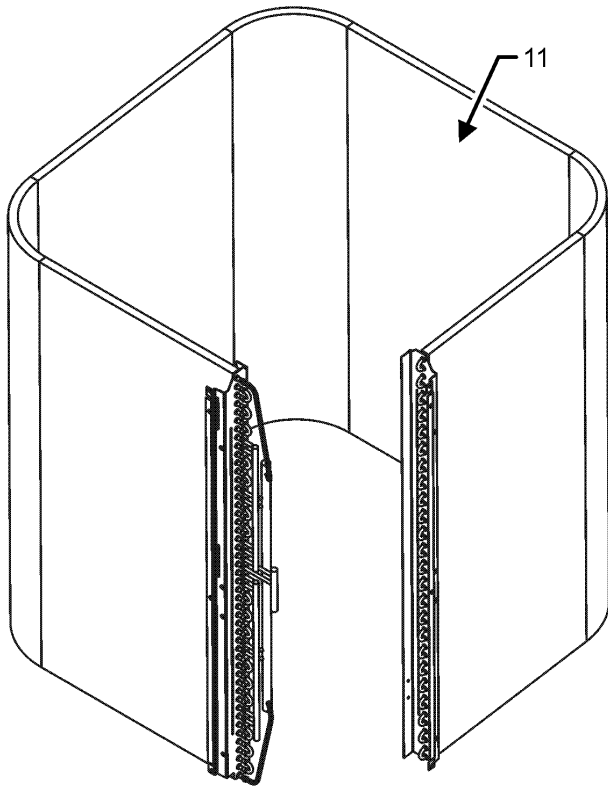
Cabinet Top and Louver Side Panel Assy

Ref. Part No: No:	Description:	Ref. Part No: No:	Description:
Image 1:			
11	0121R00010PDG		TOP PANEL 29" (M1, M2, M3, M4, M5)
11	0121R00269PDG		Top Panel, 35" Pnt (M6, M7)
21	0131M00807		MOTOR, 1/4HP,1SP,8PL,AL (M7)
21	0131M00753		MOTOR, 1/6HP, 1SP, 8PL, AL (M1, M2, M3, M4, M5, M6)
41	0163M00006P		ACORN NUT 5/16 HEX BLACK (QTY 4)
51	0150M00008		FAN BLADE 22" TNT2203-25 (M1, M2, M3, M4, M5)
51	0150M00054		FAN BLADE, 26" (M6, M7)
61	0161L00000		VENTURI RING 22" (M1, M2, M3, M4, M5)
61	0161R00007P		VENTURI RING 35" (M6, M7)
71	0161R00002P		CONDUIT (M1, M2, M3, M4, M5)
71	0161R00004P		CONDUIT (M6, M7)
81	0163M00004		SCREW #10X3/4", BLACK
91	0154R00006		GASKET, CONTROL PANEL
111	0121R00228PDGB		LOUVERED SIDE PANEL [LT OF CNTL PNL] (M6)
111	0121R00229PDGB		LOUVERED SIDE PANEL [LT OF CNTL PNL] (M7)
121	0121R00232PDGB		LOUVERED PANEL (M7)
121	0121R00231PDGB		LOUVERED SIDE PANEL (M6)
131	0121R00234PDG		LOUVERED SIDE PANEL [RT OF CNTL PNL] (M6)
131	0121R00235PDG		LOUVERED SIDE PANEL [RT OF CNTL PNL] (M7)
211	0121R00350PDG		Louver Post, PDG 28.73 (M1, M2)
211	0121R00352PDG		Louver Post, PDG 32.51 (M3, M4)
211	0121R00354PDG		Louver Post, PDG 36.30 (M5)
221	0121R00342PDGRS		Louver Panel, PDG 29" _28.73 (M1, M2)
221	0121R00344PDGRS		Louver Panel, PDG 29" _32.51 (M3, M4)
221	0121R00346PDGRS		Louver Panel, PDG 29" _36.30 (M5)
231	0121R00342PDGLS		LOUVERED PANEL (M1, M2)
231	0121R00344PDGLS		LOUVERED PANEL (M3, M4)
231	0121R00346PDGLS		LOUVERED PANEL (M5)
NS	0163M00005P		WASHER, BLACK (.50 OD .218D) (QTY 4)

Expanded Model Nomenclature

M1 - GSX16S181AA
M2 - GSX16S241AA
M3 - GSX16S301AA
M4 - GSX16S301AB
M5 - GSX16S361AA
M6 - GSX16S421AA
M7 - GSX16S481AA

Compressor and Tubing Assembly



Compressor and Tubing Assembly

Ref. Part No: No:	Description:	Ref. Part No: No:	Description:
<i>Image 1:</i>			
11	0201R00236		COIL TUBING ASSY (M5)
11	0201R00296		COIL TUBING ASSY (M1, M2)
11	0201R00311		COIL TUBING ASSY (M6)
11	0201R00315		COIL TUBING ASSY (M3, M4)
11	0201R00433		COIL TUBING ASSY (M7)
31	0151R00081		7/8" BALL VALVE (M7)
31	0151R00079		BASE VALVE 3/4" (M1, M2)
31	0151R00080		BASE VALVE 7/8" (M3, M4, M5, M6)
41	0151R00167		BASE VALVE 3/8"
51	50N382YV-ZAKQ		1.5T RECHI COMPRESSOR (4-LEGS) (M1)
51	50N492ZV-ZAKM		2.0TONRECHI COMPR.4 LEGS (M2)
51	ZP24K5EPFV130		COMP,24000,208/230/60/1 (M3, M4)
51	ZP29K5EPFV130		COMP,29000,208/230/60/1 (M5)
51	ZP34K5EPFV130		COMPRESSOR 34500, 208/230/60/1 (M6)
51	ZP36K5EPFV130		COMPRESSOR 36200, 208/230/60/1 (M7)
61	60100107		TERMINAL COVER GASKET (M1, M2)
71	60100317		TERMINAL COVER (M1, M2)
81	60100401		TERMINAL NUT - RECHI COMP (M1, M2)
91	60100201		WASHER - RECHI COMPRESSOR (M1, M2)
101	60140209		GROMMET - RECHI COMPRESSOR (M1, M2)
111	0163M00186		SCREW-SHOULDER TF (M1, M2)
121	0162R00009		FILTER DRIER
141	0121R00006PDG		BASE PAN 29" (M1, M2, M3, M4, M5)
141	0121R00007PDG		BASE PAN 35" (M6, M7)
161	0160M00012		COMPRESSOR BLANKET (M1, M2)
171	M0221641		TF SHOULDER SCREW (M3, M4, M5, M6, M7)
181	B1339533		COMPRESSOR GROMMET (M3, M4, M5, M6, M7)
191	0159R00001P		COMPRESSOR SCROLL HARNESS (M3, M4, M5)
191	0159R00002P		COMPRESSOR SCROLL HARNESS (M6, M7)
NS	B1789860		FLOW CHECK PISTON KIT (M2)
NS	B1789872		FLOW CHECK PISTON KIT (M5)
NS	B1789853		FLOW CHECK PISTON KIT .053 (M1)
NS	B1789865		FLOW CHECK PISTON KIT .065 (M3, M4)
NS	B1789874		FLOW CHECK PISTON KIT .074 (M6)
NS	B1789878		FLOW CHECK PISTON KIT .078 (M7)

Expanded Model Nomenclature

M1 - GSX16S181AA
M2 - GSX16S241AA
M3 - GSX16S301AA
M4 - GSX16S301AB
M5 - GSX16S361AA
M6 - GSX16S421AA
M7 - GSX16S481AA