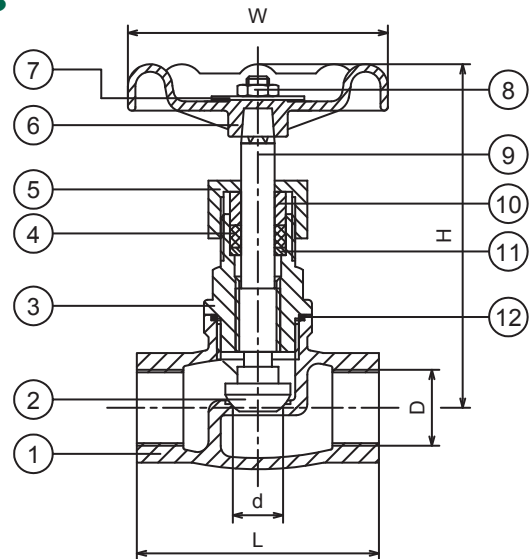


907 Globe Valve



Standard Features and Benefits

- Investment Cast
- Screwed-In Bonnet
- Rising Stem
- Hand Wheel Operation
- Thread Connection: **ANSI B2.1
BS21
DIN**
- Max. Working Pressure: **200 psi**



Valve Components			
#	Part Name	Material	Qty
1	Body	A351 Gr. CF8M	1
2	Core	AISI 316	1
3	Bonnet	A351 Gr. CF8M	1
4	Packing	PTFE	1
5	Gland Nut	AISI 304	1
6	Handle Wheel	Aluminum	1
7	Name Plate	Aluminum	1
8	Nut	AISI 304	1
9	Stem	AISI 316	1
10	Metal Padding	AISI 304	1
11	Washer	AISI 316	1
12	Seal	PTFE	1

Dimensions (Inches)					
Size	ØD	W	H	L	Ød
1/2	0.59	2.76	4.21	2.56	0.59
3/4	0.79	2.76	4.49	2.95	0.79
1	0.98	4.49	5.16	3.54	0.98
1 1/4	1.26	4.49	5.67	4.13	1.26
1 1/2	1.57	3.94	6.46	4.65	1.57
2	1.97	3.94	6.93	5.43	1.97