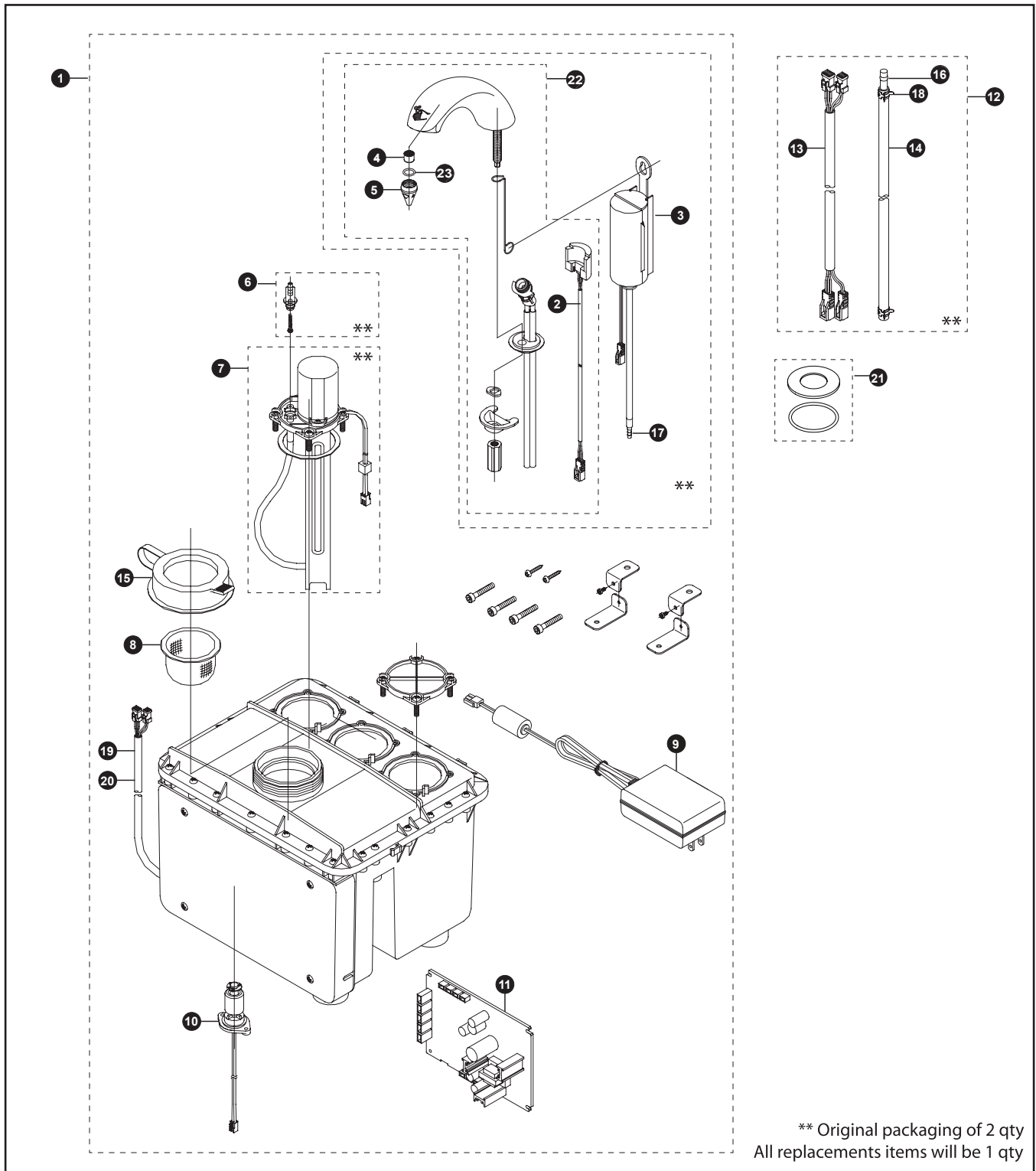


# TES2ADC-05

TES2ADC-05  
TES122MV100  
TN80-1V100

## TOTO Soap Dispenser Two Spouts, Single Hole Mount Each 5 Meter Connection Cable



TES2ADC-05  
 TES122MV100  
 TN80-1V100

**TOTO Soap Dispenser  
 Two Spouts, Single Hole Mount Each  
 5 Meter Connection Cable**

<b>Item</b>	<b>Part</b>	<b>Description</b>
1	TES122MV100	Eco Soap Dispenser w/ Two Spouts
2	58118R	Sensor
3	THP3063	Air Pump
4	95843	Inside Tube
5	231511T1	Nozzle
6	190522R	Check Valve
7	THP3240	Soap Pump
8	66506	Strainer- Base Unit
9	THP3265	AC Adapter
10	54091	Level Sensor
11	THP3185	Controller
12	TN80-1V100	Tube Cord Unit - 5m (16.4ft)
13	56102RT2	Sensor & Air Pump Cords - 5m (16.4ft)
14	92461T1	Liquid Soap Tube - 5m (16.4ft)
15	THP4796A	Cap, 1 Gallon Tank
16	THP3059	Soap Tube Connector (Metal)
17	THP3060	Air Tube Connector (Plastic)
18	THP3061	Hose Clamp
19	THP3054	Wiring Harness, L500, Green, #1 Spout
20	THP3055	Wiring Harness, L500, Red, #2 Spout
21	THP3140#CP	Escutcheon for 1-1/8"~1-1/2"(28~38mm) hole
22	THP3171#CP	Spout Sub Assy, Soap Dispenser
23	THP3336	O-Ring

Note:

Replacement EcoSoap 1 gallon container @ 4 qty use TSFB1.  
 Replacement EcoSoap 5 gallon container @ 1 qty use TSFB5.

**Product Number Explanations**

**Soap Dispenser**  
 (T) Fitting  
 (E) Electronic  
 (S) Soap Dispenser  
 (1) One Spout  
 (A) AC Transformer  
 (D) Dispenser  
 (C) Chrome Finish  
 (05) 5M Cable