

ECOPOWER® High-Efficiency Urinal Flush Valve 0.5 GPF

FEATURES

- 0.5 GPF
- Self-powered hydroelectric flush valve system
- No minimum daily usage requirement
- 14" x 12" stainless steel cover plate with solid bronze valve body
- Neutral rough-in and adjustable tail piece connection
- Self-cleaning piston valve with 360° filter screen
- Manual flush override
- Smart sensor with self-adjusting detection range
- 6-second detection time to prevent ghost flushing
- ADA compliant

MODELS

- TEU2LA11#SS
 - TEU2LAR#SS (0.5 GPF flush valve)
 - VB1311#RB (3/4" vacuum breaker tube, 3/4" angle stop, back spud)
- TEU2LA12#SS
 - TEU2LAR#SS (0.5 GPF flush valve)
 - VB0912#RB (3/4" vacuum breaker tube, 3/4" angle stop, top spud)
- TEU2LA21#SS
 - TEU2LAR#SS (0.5 GPF flush valve)
 - VB1321#RB (1-1/4" vacuum breaker tube, 3/4" angle stop, back spud)

COLORS/FINISHES

- #SS Stainless Steel

OPTIONAL ACCESSORIES

- Z-4000-J - Adapter for ground joint angle stops

CODES/STANDARDS

- Meets or exceeds ASSE 1037, CSA B125.3
- Certifications: IAPMO(cUPC), EPA WaterSense, ASSE, State of Massachusetts, and others
- Code Compliance: UPC, IPC, NSPC, NPC Canada, and others
- ADA compliant
- Complies with CA Prop 65 warning requirements



Piston Valve

PRODUCT SPECIFICATION

TOTO® Model No. _____
 Product shall be 0.5 GPF. Product shall be an automatic infrared sensor-activated, urinal flush valve. Product shall use hydropower, ECOPOWER flush valve system. Product shall have heavy-duty 14" x 12" stainless steel coverplate with satin finish. Product shall have adjustable tail piece connection. Product shall have neutral rough. Product shall have smart sensor with self-adjusting detection range. Product shall have manual flush override. Product shall have 6-second detection time to prevent ghost flushing. Product shall have piston with debris screen and solenoid with self-cleaning mechanism. Product shall be ADA compliant.

TEU2LA

ECOPOWER® High-Efficiency Urinal Flush Valve 0.5 GPF

SPECIFICATIONS

- Material: Bronze casting
- Power supply: ECOPOWER
- Sensor detection time: Factory setting at six (6) seconds minimum
- Sensor detection range: Self-adjusting to environment
- Discharge quantity: Preset to 0.5 GPF
- Operating temperature: 32°-104°F (0°-40°C)
- Water supply pressure: 15 psi - 125 psi*
- Water supply connection: 3/4" NPT
- Warranty: Three year limited

*Water pressures over 80 psi are not recommended for most plumbing fixtures. Check your local plumbing code for details.

INSTALLATION NOTES

For commercial applications only.
Warning: Failure to properly adjust angle stop to the appropriate level can potentially cause property damage.

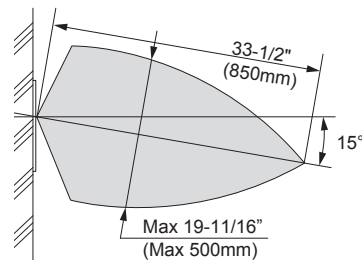
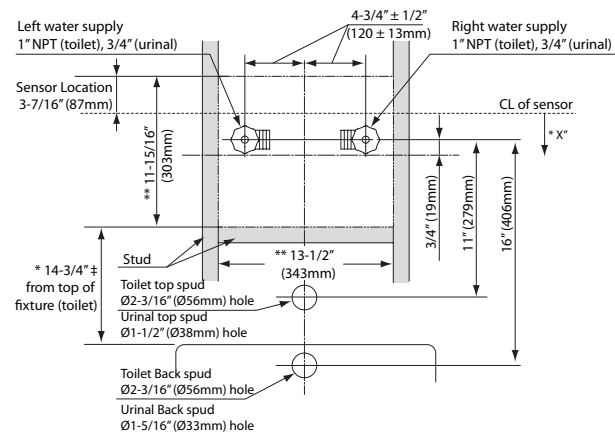
For detailed installation instructions, please refer to the installation manual.

Max flow rate to be used with TEU2LA_____: 0.5 GPF

Confirm with local codes and standards for floor drain requirement. Adjust control stop for proper flow rate to the fixture.

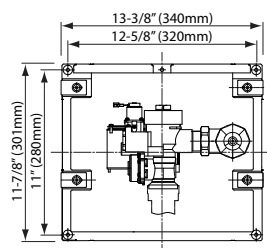
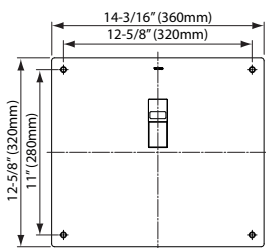
The recommended installation for the flush valve is to have a 7" (178mm) minimum space in wall. Do not place grab bars in front of sensor for ADA stalls.

DIAGRAM



* X", ‡ = At least 5" clearance from sensor to tip of toilet seat up position or to top of grab bar is required to avoid false detection.

** Opening in wall



TOTO®

These dimensions and specifications are subject to change without notice