

Please make sure to keep the Instructions with User's Manual.

WASHLET SW2047T20

<For Users>

When referring to User's Manual, replace [SW2047T20] with [SW2044].

In addition, compared with SW2044, the differences are indicated as follows.

Corresponding page [Parts Names]

- The shape of Washlet and that of the toilet are different. Please refer to the following [Parts Names].

Corresponding page [Maintenance]

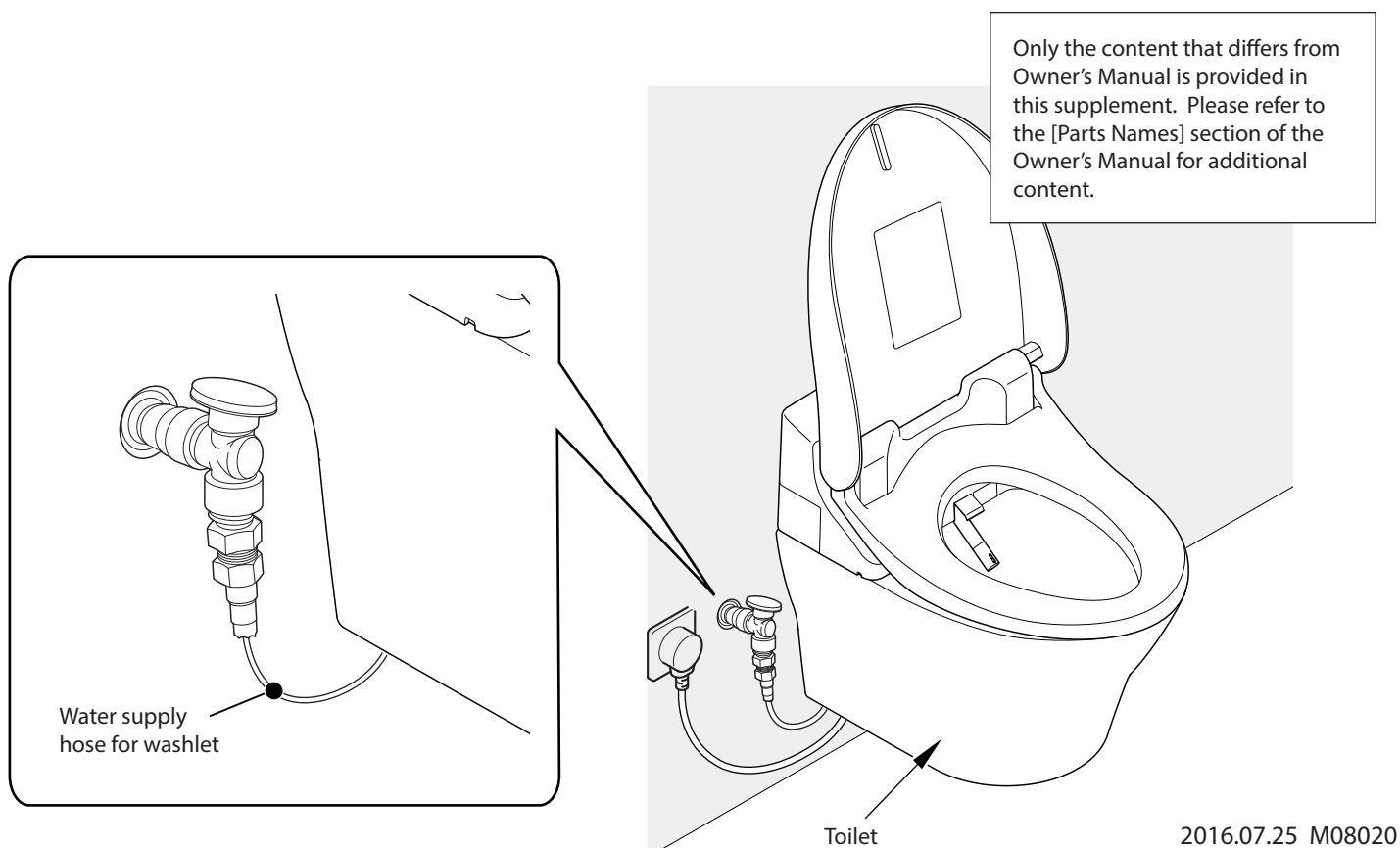
- During maintenance, the removal method for Washlet differs. Please refer to [Maintenance] supplement.

Corresponding page [FAQ]

- The shapes of the connection components of the water supply hose differ. When water leakage occurs at the hose connection components, loosen the nuts at the connection components and tighten the hose connection with a specified wrench.

→ When water leakage is unstoppable, request for repair after closing the water shutoff valve.

Parts Names



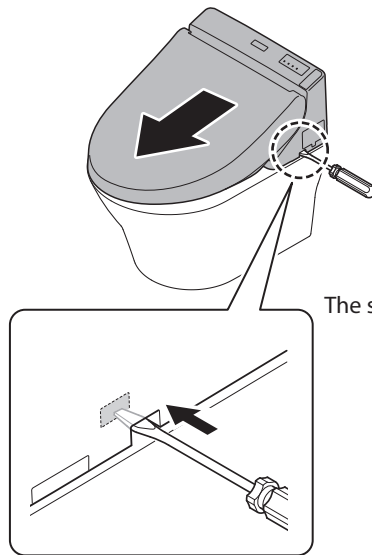
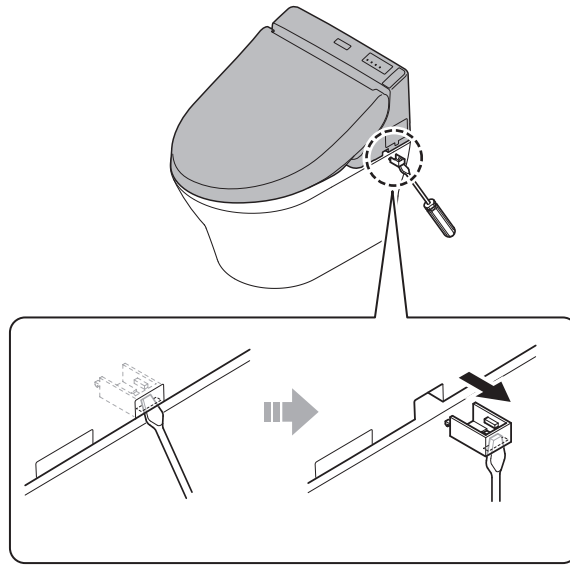
To installation contractors

⚠ WARNING

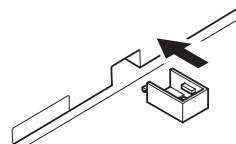


Do not dismantle and mount the main unit while power is on or water is flowing to the main unit.
(Otherwise, electric shock or trouble may occur.)

How to dismantle the main unit



The shape varies by model.



- Confirm that no power is applied and no water is inside the product, align the position and install it again.