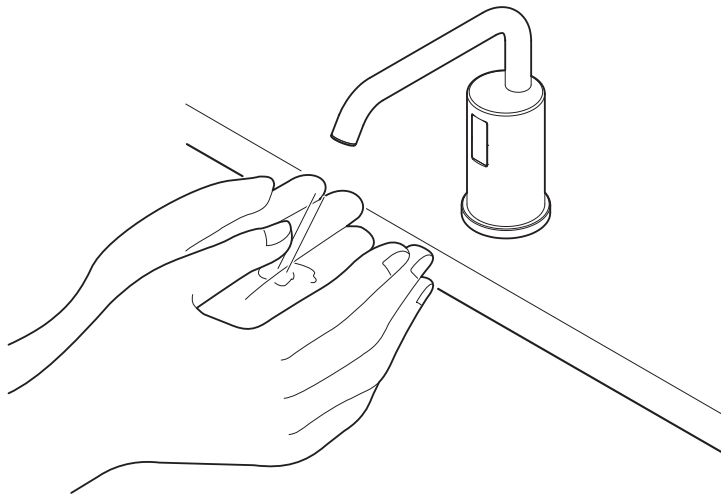


Installation and Owner's Manual
Manuel d'Installation et d'Utilisation
Manual de Instalación y del Propietario
Manual de Instalação e do Proprietário

TOTO®

Automatic Soap Dispenser
Distributeur de savon automatique
Dispensador automático de jabón
Doseador automático de sabonete



TES100DA
TES100AA

Warranty Registration and Inquiry

For product warranty registration, TOTO U.S.A. Inc. recommends online warranty registration. Please visit our web site <http://www.totousa.com>. If you have questions regarding warranty policy or coverage, please contact TOTO U.S.A. Inc., Customer Service Department, 1155 Southern Road, Morrow, GA 30260 (888) 295-8134 or (678) 466-1300 when calling from outside of U.S.A.

TABLE OF CONTENTS

Thank You for Choosing TOTO!	2
Warnings	2
Before Installation	2
Included Parts	3
Common Tools Needed	3
Positioning the Dispenser and Tank	4
Installation Procedure	5-9
Testing	10
Using the Product	10
Refilling the Soap	11
Replacing the Battery [DC Type]	12
Care and Cleaning	12
Periodic Maintenance	13
Long Periods of Non-use.....	13
Troubleshooting	14
Specifications	14
Warranty	15
Rough-In Dimensions.....	16

ENGLISH

THANK YOU FOR CHOOSING TOTO!

The mission of TOTO is to provide the world with healthy, hygienic and more comfortable lifestyles. We design every product with the balance of form and function as a guiding principle. Congratulations on your choice.

WARNINGS

Please read and adhere to the following notes. Failure to do so could result in personal injury and/or property damage.

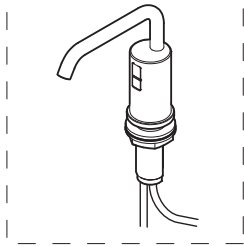
- No person other than a service engineer should disassemble, repair or modify this dispenser, unless it is specifically described in this manual. Failure to do so may result in electric shock or product malfunction.
- Do not use this dispenser in a humid location where condensation may collect on the surface, especially in a sauna or steam room.
- Do not strike or kick the dispenser or controller box, as this may damage the unit or cause a leak.
- Do not use this dispenser if the room temperature drops below freezing.
- Make sure the power cord does not come in contact with the hot water supply line.
- Avoid placing any objects within the detection range of the infrared sensor.
- Use only TOTO approved liquid soap.
- Make sure the electrical outlet is in a position where it will not get wet during use.

BEFORE INSTALLATION

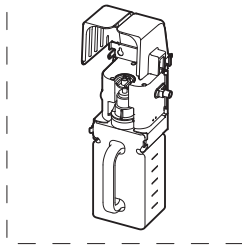
- Read these instructions carefully to ensure proper installation.
- TOTO reserves the right to update product design without notice.
- Check to make sure you have the parts indicated on the following page.

INCLUDED PARTS

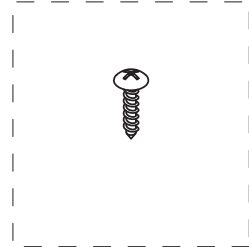
Spout Assembly



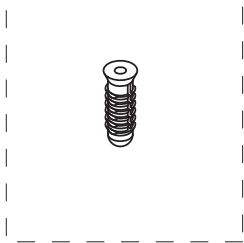
Controller



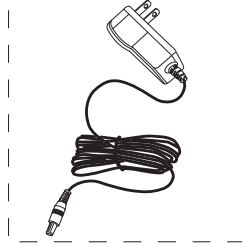
Self-tapping Screw(3X)



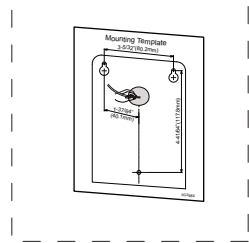
Anchor(3X)



AC Adapter(AC Type)



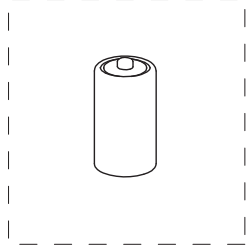
Mounting Template



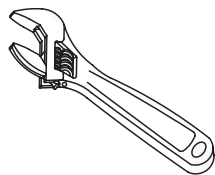
Battery Case (DC Type)



Alkaline Battery(D 1.5V)
(4X)(DC Type)



COMMON TOOLS NEEDED



Adjustable Wrench

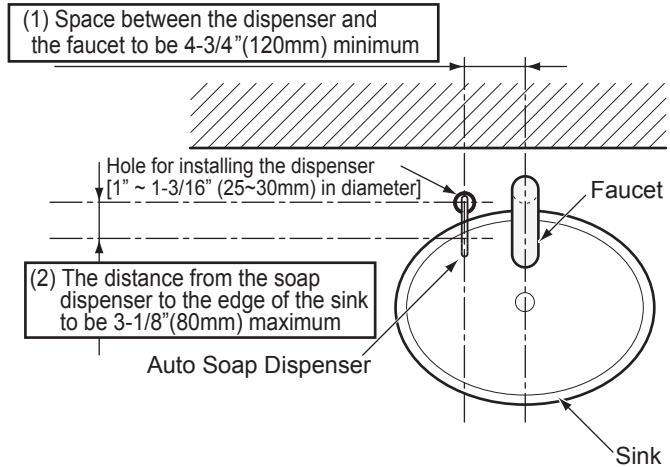


Screwdriver (Phillips)

POSITIONING THE DISPENSER AND TANK

Positioning the Dispenser

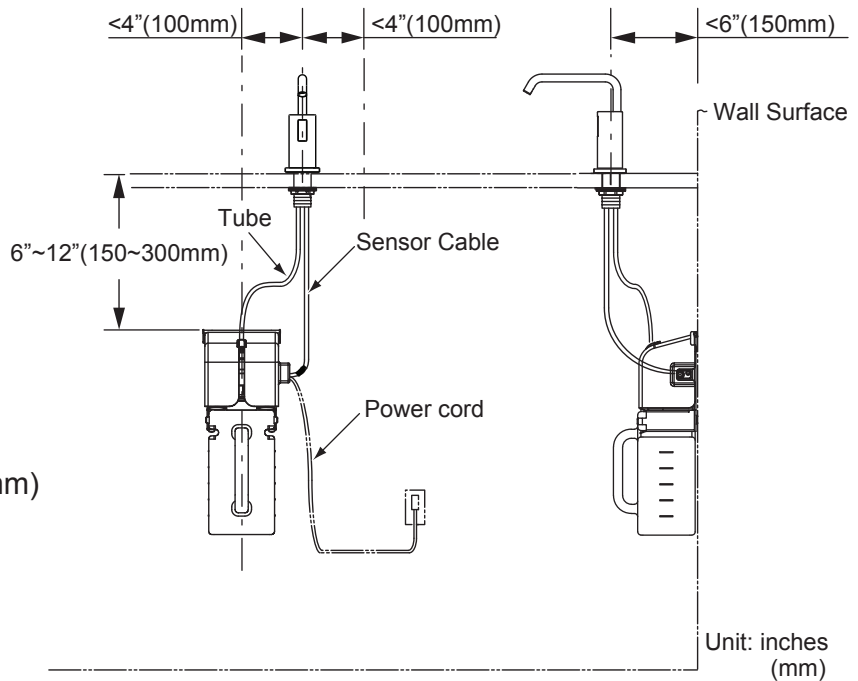
1. Make sure to leave at least 4-3/4" (120mm) of space between the soap dispenser and the faucet to prevent accidental activation.
2. Leave 3-1/8" (80mm) of space maximum from the inside edge of the sink to the spout installation hole to ensure that any residual soap drips from the dispenser spout into the sink bowl.



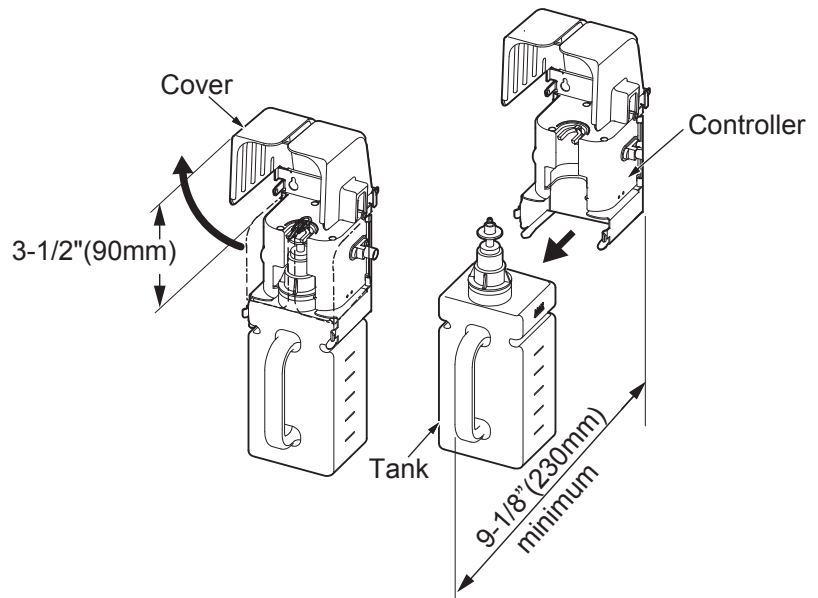
Positioning the Tank

1. When installing the controller, make sure that the tube and cables can reach the tank.
2. If the tube is too long, please cut it to suitable length.

Tube length: 17-3/4" (450mm)
 Sensor cable length: 19-3/4" (500mm)
 Power cord length: 59" (1500mm)

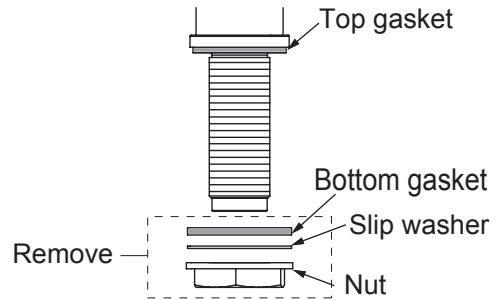


3. Make sure there is adequate space for refilling/replacing soap tank.



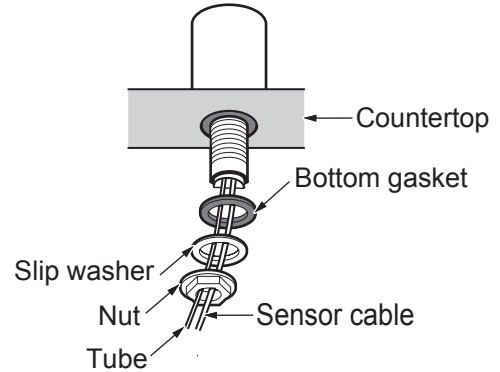
INSTALLATION PROCEDURE - Spout

1. Remove nut, slip washer and bottom gasket.

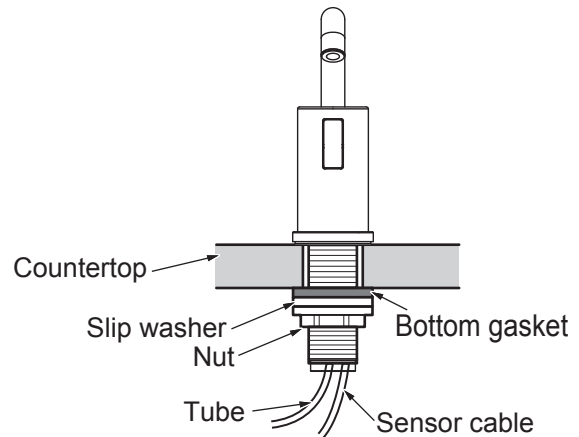


2. Install the spout on the countertop.

3. Install bottom gasket, slip washer and nut in that order.



4. Confirm the alignment of spout and tighten nut.



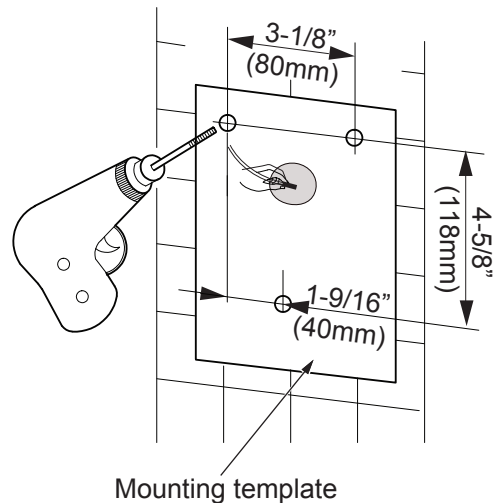
INSTALLATION PROCEDURE - Controller

1. Select the position of the controller and layout the mounting template. Make sure the sensor cable and soap tube can reach the mounting template.

2. Mark the location of the mounting holes.

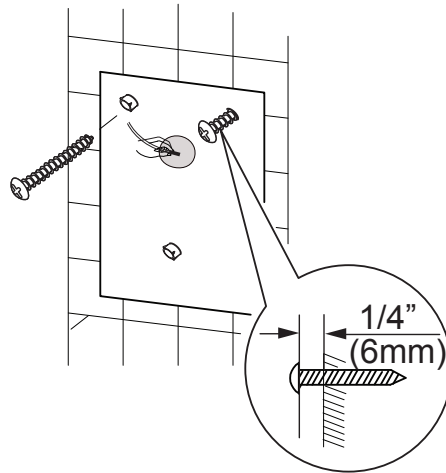
3. Drill 3 holes.
Depth : 1" (25mm)
Size: 7/64" (3mm) without anchor
1/4" (7mm) with anchor

Important: Mounting template to be level.

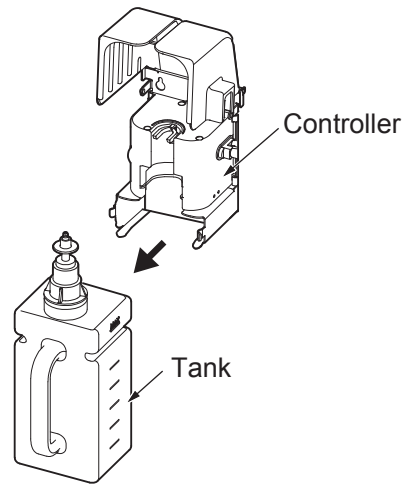


4. Insert self-tapping screws into the upper two holes until there is a 1/4" (6mm) gap between head of screw and wall.

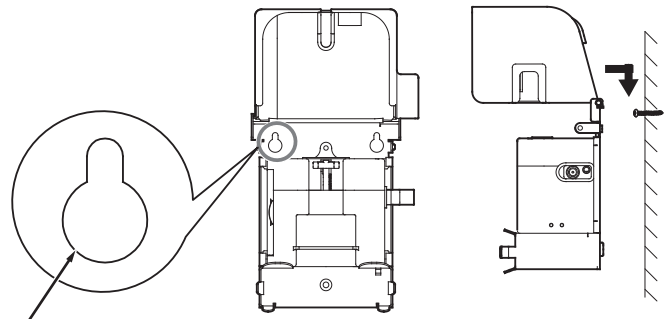
Use anchors if necessary.



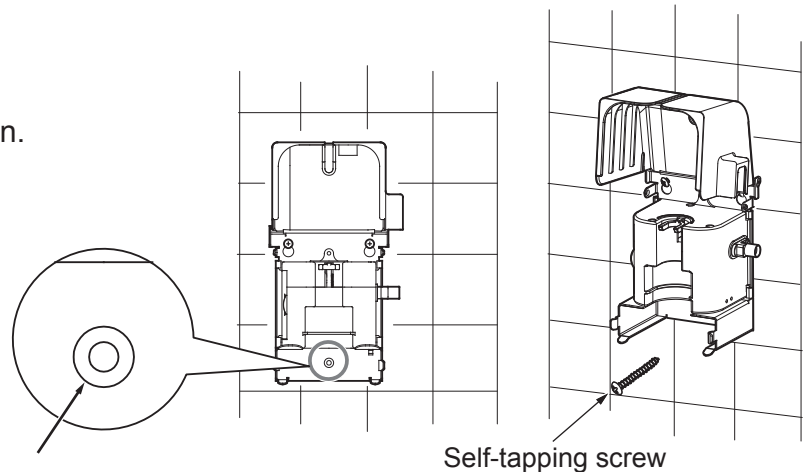
5. Remove the tank from controller.



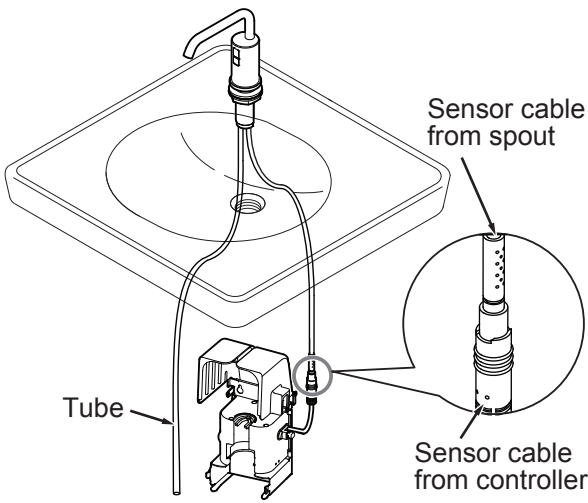
6. Hang the controller on the two screws.



7. Insert a self-tapping screw through bottom hole of controller and tighten.



8. Connect sensor cables.



INSTALLATION PROCEDURE - Tank

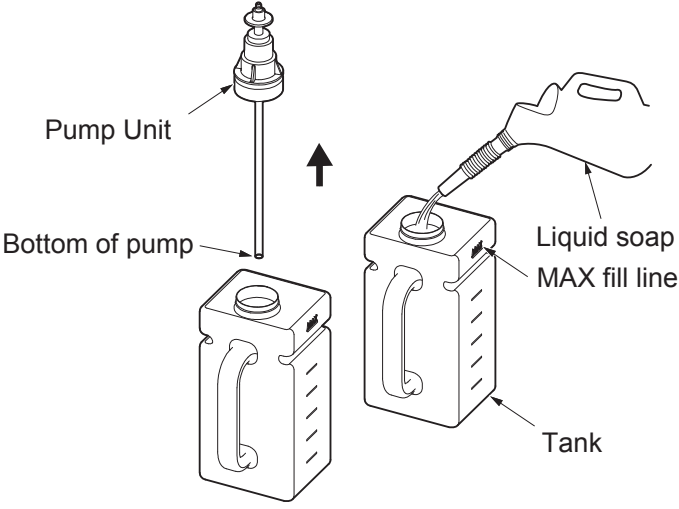
1. Remove pump unit from the tank.

2. Slowly pour liquid soap into the tank.

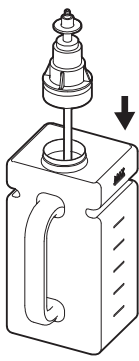
NOTE: Keep pump unit clean while filling soap, especially keep bottom of pump off from floor.

NOTE: Fill the tank up to MAX fill line.

NOTE: Use only TOTO approved liquid soap.

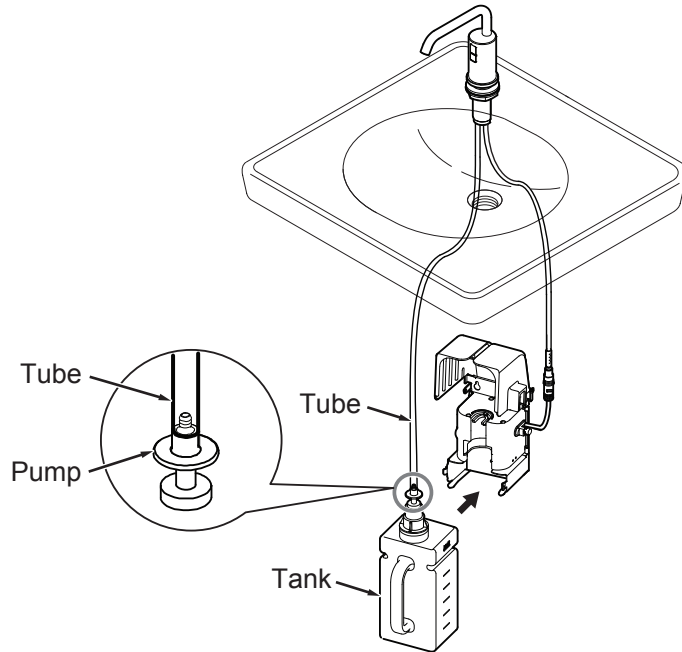


3. Replace the pump by pushing it down firmly over the tank opening until it snaps in place.



4. Connect the tube to pump.
(Insert the barb into the tube fully)

NOTE: Make sure the length of the tube prevents the bottom of pump from contacting the floor when the tank is removed for refilling.

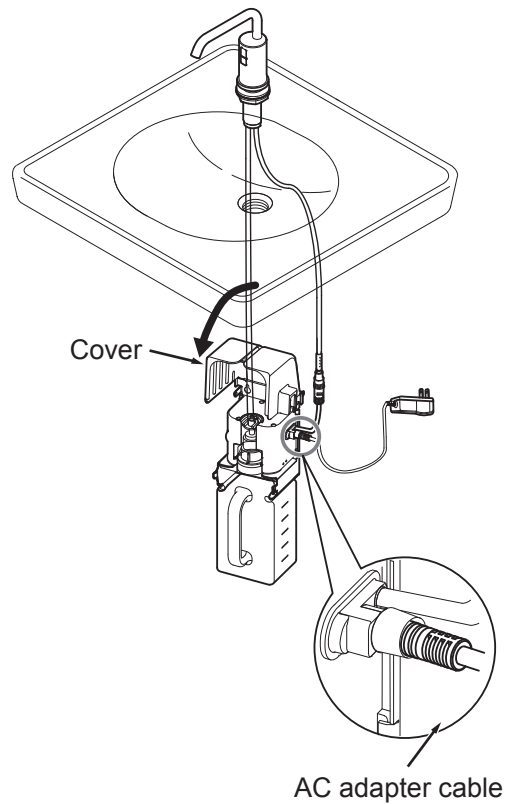


5. Mount the tank to the controller.

INSTALLATION PROCEDURE - Connection to Power Supply

[AC Type]

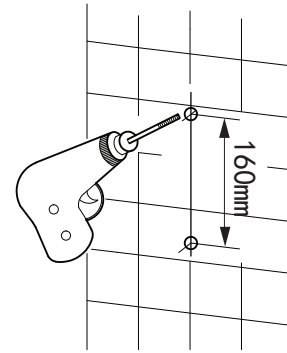
1. Connect AC adapter cable to controller.
2. Plug the AC adapter into an (appropriate) outlet.
3. Close the cover.



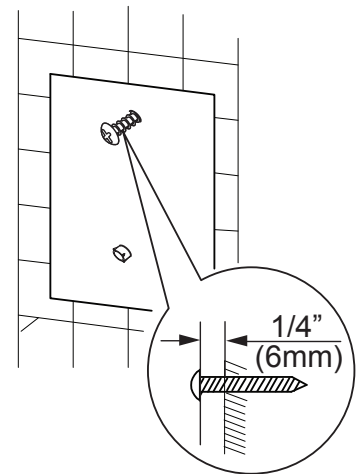
INSTALLATION PROCEDURE - Battery Box

[DC Type]

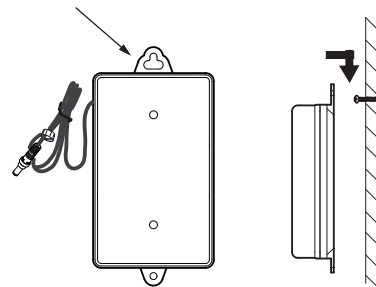
1. Select position for the battery case.
Make sure the power supply cable is capable of reaching the controller.
2. Mark the location of the mounting holes.
3. Drill 2 holes. Depth : 1"(25mm)
Size : 7/64" (3mm) without anchor
1/4" (7mm) with anchor



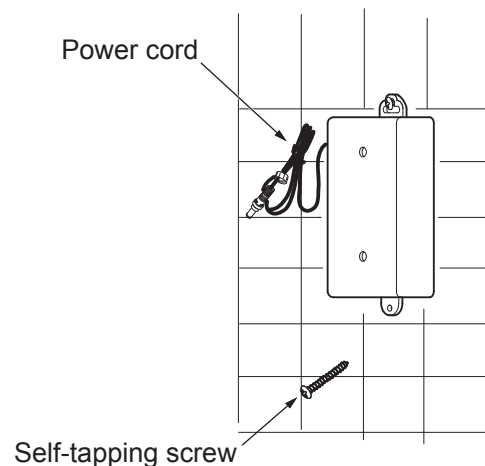
4. Insert a self-tapping screw into upper hole until there is a 1/4"(6mm) gap between head of screw and wall.
Use anchors if necessary.



5. Hang the battery case on the screw.



6. Insert a self-tapping screw through bottom hole of case and tighten.
7. Connect power cord to controller.

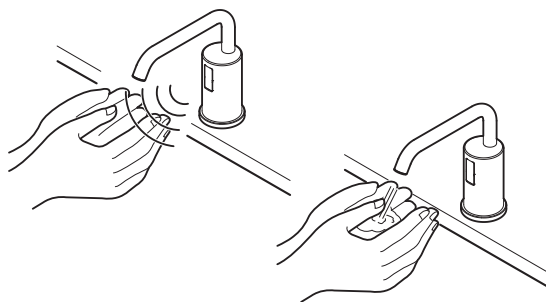


TESTING

After installation is complete, confirm that the dispenser is working properly using the following method.

1. Place your hands under the spout and hold them in place until soap is discharged.

NOTE: Make sure there is no soap leaking from the tube and connections.

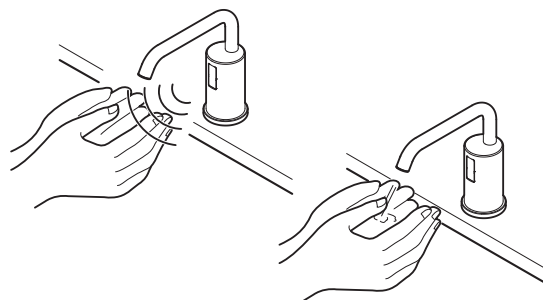


ENGLISH

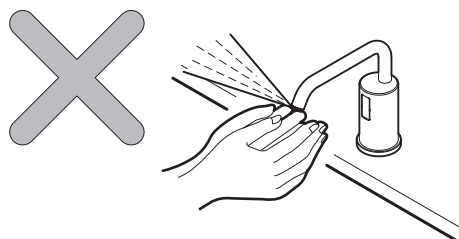
USING THE PRODUCT

Place hands under spout.

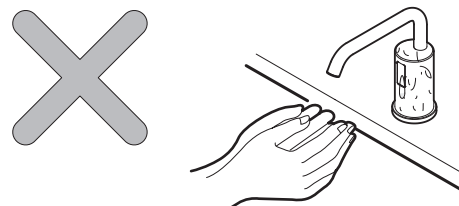
- Proper amount of soap is dispensed automatically.



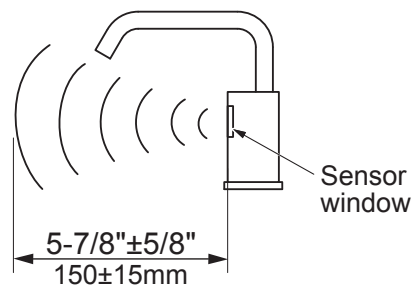
Caution: Please do not obstruct the spout opening. The soap might go flying off in an unexpected direction.



Caution: Please do not put liquid soap on the spout. If the sensor gets dirty, it could cause malfunction.



Sensor sensing range is
 $5\text{-}7/8\text{''}\pm 5/8\text{''}$ ($150\text{mm}\pm 15\text{mm}$).



REFILLING THE SOAP

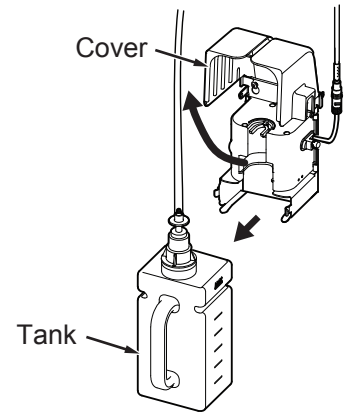
The soap dispenser keeps track of soap usage by counting soap dispenses.

It displays a flashing green LED indicator light to signal low soap level.

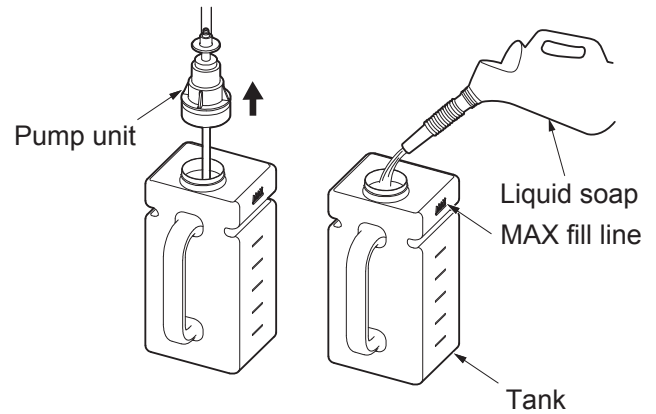
A power interruption (AC type) or changing batteries (DC type) disrupts the count and could prevent the indicator light from flashing.

To ensure accuracy, always add soap to the MAX line once power is restored.

1. Open the cover.
2. Remove the tank from the controller.



3. Remove pump unit from the tank.



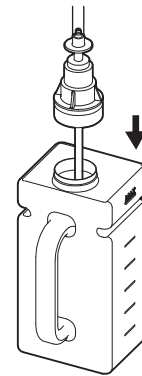
4. Slowly pour liquid soap into the tank.

NOTE: Clean container before refilling.

NOTE: Fill the tank up to MAX fill line.

NOTE: Use only TOTO approved liquid soap.

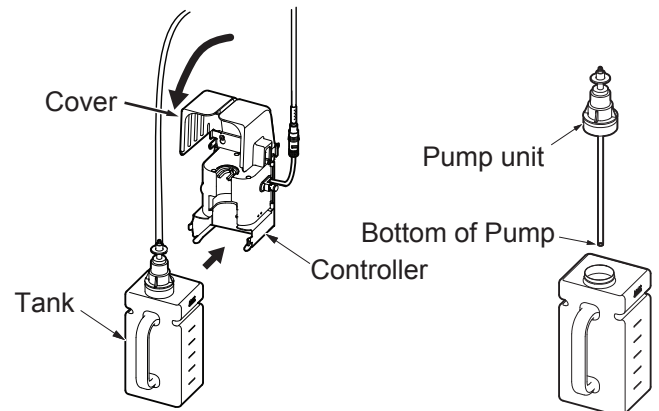
5. Replace the pump by pushing it down firmly over the tank opening until it snaps in place.



6. Mount the tank to the controller.

7. Close the cover.

8. Purge the line by holding hands under spout until soap is discharged. Dispenser can be actuated up to ten times consecutively while holding hands under the spout immediately after refilling.



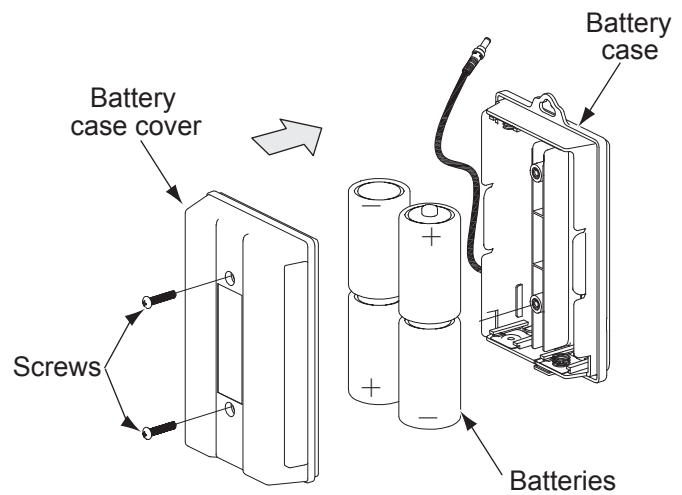
REPLACING THE BATTERY [DC Type]

1. Remove cover of battery case.
2. Install four (4) D size alkaline batteries.

NOTE: Make sure the batteries are installed in correct orientation (polarity).

3. Replace battery case cover.

4. Tighten screws.



CARE AND CLEANING

- **For Light Cleaning**

Wipe away any debris from the spout or sensor.

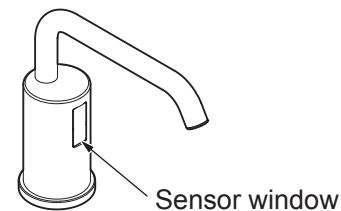
- **For Heavy-Duty Cleaning**

Wipe away debris with a damp cloth containing a suitable amount of a neutral, dishwashing detergent.

Then wipe clean with a damp cloth.



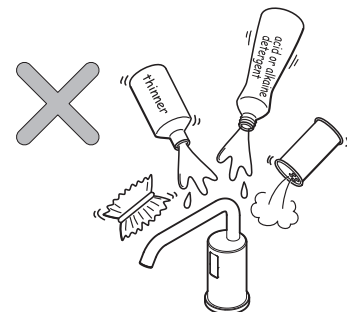
- When cleaning around the sensor, please be careful not to scratch the surface of the sensor window.



- Do not use detergent that might damage the surface of the spout.

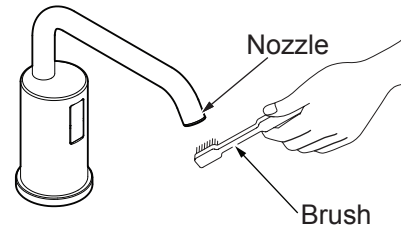
These include:

- Detergents containing acid, chlorine bleach or alkali.
- Detergents that are coarse granules in nature, such as polishing powder.
- Solvents such as paint thinner or benzene.
- Abrasive aids such as nylon scrubbers/brushes, steel wool, etc.



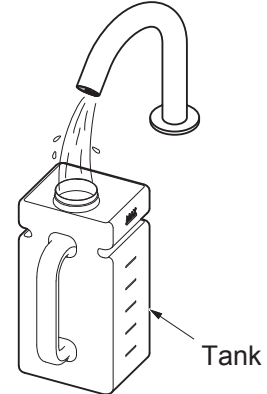
- **For Nozzle Cleaning**

Clean the nozzle with a soft brush to remove any dirt from the screen.



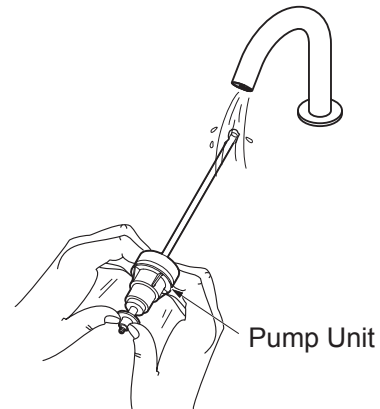
- **For Tank Cleaning**

Wash tank out with water to keep it clean.



- **For Pump Unit Cleaning**

If the pump sticks or backflow occurs, wash pump unit with water while holding upside down and manually squeeze pump several times.



PERIODIC MAINTENANCE

- **Once a month:**
 1. Check all tube connections for any signs of leakage.
 2. Wipe away any dust on AC adapter [AC type only].
- **Twice a year:**
 1. Check all fixed connections and tighten as needed.

LONG-TERM NON-USE

If there will be long periods of time where the dispenser will not be used, remove all soap from dispenser using the following method.

1. Remove soap from tank and wash tank out with water.
2. Fill the tank with water and set up the dispenser as usual.
3. Flush the line with water by activating dispenser until no soap comes out from spout. Refill water if necessary.
4. Discard any water left in tank and allow tank to dry.
5. Place the tank back into the controller.
6. Disconnect the power supply until use resumes.

TROUBLESHOOTING

Problem	Operating	Cause	Solution
No soap comes out	Green LED flashing	Soap is low	Fill tank with liquid soap.
	Red LED flashing	Battery is low	Replace batteries.
	Green LED solid on	Pump is sticking	Clean the pump unit.
		Soap viscosity is high	Change to TOTO approved liquid soap.
	-	Sensor window is dirty	Clean sensor window.
	-	Sensor cable is disconnected	Connect cable.
	-	There is an obstruction in front of sensor window	Remove the obstruction.
	-	Power supply (AC adapter or battery box) is disconnected	Connect cable.
-	Tube is disconnected	Connect tube.	
Soap won't stop running	-	AC adapter is not plugged in	Plug in the AC adapter.
	-	Sensor window is dirty	Clean sensor window.
Soap comes out unexpectedly	-	There is an obstruction in front of sensor window	Remove the obstruction.
	-	Sensor window is dirty	Clean sensor window.
Amount of dispensed soap is small	-	Soap will be automatic dispersed after 48 hours of non-usage to prevent clogging.	-
	-	Pump is not working correctly	Clean the pump unit.

SPECIFICATIONS

Type	TES100AA	TES100DA
Power supply	AC AC 100~240V For use with Listed Class 2 power supply or limited power source	DC 4×D 1.5V alkaline batteries
Sensor detection range	5-7/8"±5/8"(150mm±15mm)	
Ambient temperature	32~104°F (1~40°C)	
Humidity	Max. 90% RH	
Soap volume	0.03-0.04 oz (0.8-1.2ml)	
Tank capacity	50 oz (1500ml)	

WARRANTY

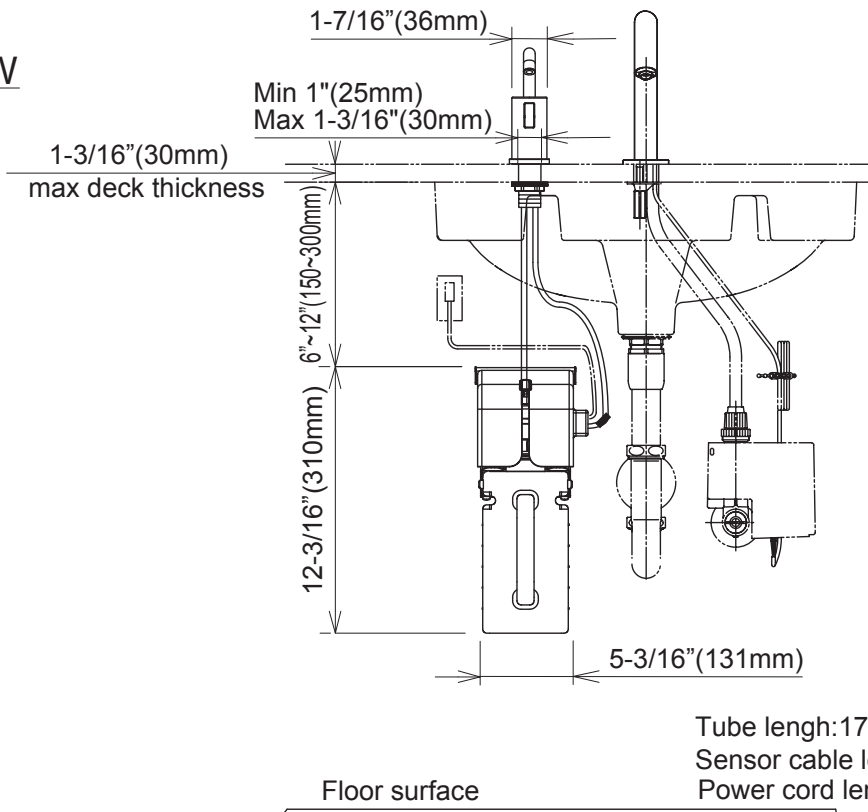
ENGLISH

1. TOTO® warrants its electronic flush valves, faucets and soap dispensers ("Product") to be free from defects in materials and workmanship during normal use when properly installed and serviced, for a period of three (3) years from date of purchase. This limited warranty is extended only to the ORIGINAL PURCHASER of the Product and is not transferable to any third party, including but not limited to any subsequent purchaser or owner of the Product. This warranty applies only to TOTO Product purchased and installed in North, Central and South America.
2. TOTO's obligations under this warranty are limited to repair, replacement or other appropriate adjustment, at TOTO's option, of the Product or parts found to be defective in normal use, provided that such Product was properly installed, used and serviced in accordance with instructions. TOTO reserves the right to make such inspections as may be necessary in order to determine the cause of the defect. TOTO will not charge for labor or parts in connection with warranty repairs or replacements. TOTO is not responsible for the cost of removal, return and/or reinstallation of the Product.
3. This warranty does not apply to the following items:
 - a. Damage or loss sustained in a natural calamity such as fire, earthquake, flood, thunder, electrical storm, etc.
 - b. Damage or loss resulting from any accident, unreasonable use, misuse, abuse, negligence, or improper care, cleaning, or maintenance of the Product.
 - c. Damage or loss resulting from sediments or foreign matter contained in a liquid soap system.
 - d. Damage or loss resulting from improper installation or from installation of the Product in a harsh and/or hazardous environment, or improper removal, repair or modification of the Product.
 - e. Damage or loss resulting from electrical surges or lightning strikes or other acts which are not the fault of TOTO or which the Product is not specified to tolerate.
 - f. Damage or loss resulting from normal and customary wear and tear, such as gloss reduction, scratching or fading over time due to use, cleaning practices or water or atmospheric conditions, including but not limited to, the use of bleach, alkali, acid cleaners, dry (powder) cleaners or any other abrasive cleaners or the use of metal or nylon scrubbers.
4. In order for this limited warranty to be valid, proof of purchase is required. TOTO encourages warranty registration upon purchase to create a record of Product ownership at <http://www.se> is required. TOTO encourages warranty registration upon and failure to register will not diminish your limited warranty rights.
5. THIS WARRANTY GIVES YOU SPECIFIC LEGAL RIGHTS. YOU MAY HAVE OTHER RIGHTS WHICH VARY FROM STATE TO STATE, PROVINCE TO PROVINCE OR COUNTRY TO COUNTRY.
6. To obtain warranty repair service under this warranty, you must take the Product or deliver it prepaid to a TOTO service facility together with proof of purchase (original sales receipt) and a letter stating the problem, or contact a TOTO distributor or products service contractor, or write directly to TOTO U.S.A., INC., 1155 Southern Road, Morrow, GA 30260 (888) 295 8134 or (678) 466-1300, if outside the U.S.A. If, because of the size of the Product or nature of the defect, the Product cannot be returned to TOTO, receipt by TOTO of written notice of the defect together with proof of purchase (original sales receipt) shall constitute delivery. In such case, TOTO may choose to repair the Product at the purchaser's location or pay to transport the Product to a service facility.

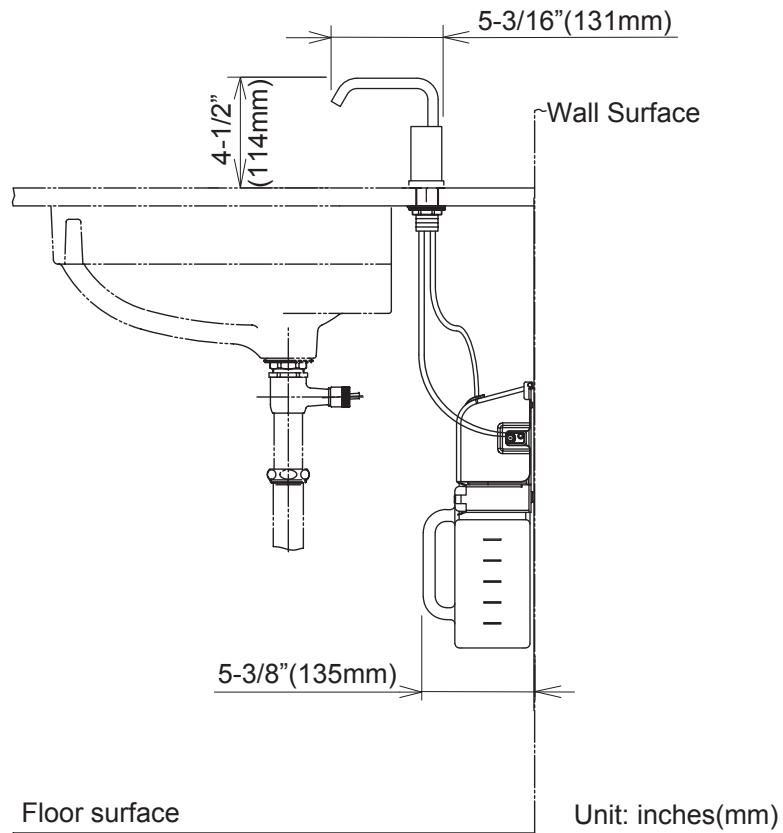
THIS WRITTEN WARRANTY IS THE ONLY WARRANTY MADE BY TOTO. REPAIR, REPLACEMENT OR OTHER APPROPRIATE ADJUSTMENT AS PROVIDED UNDER THIS WARRANTY SHALL BE THE EXCLUSIVE REMEDY AVAILABLE TO THE ORIGINAL PURCHASER. TOTO SHALL NOT BE RESPONSIBLE FOR LOSS OF THE PRODUCT OR FOR OTHER INCIDENTAL, SPECIAL OR CONSEQUENTIAL DAMAGES OR EXPENSES INCURRED BY THE ORIGINAL PURCHASER, OR FOR LABOR OR OTHER COSTS DUE TO INSTALLATION OR REMOVAL, OR COSTS OF REPAIRS BY OTHERS, OR FOR ANY OTHER EXPENSE NOT SPECIFICALLY STATED ABOVE. IN NO EVENT WILL TOTO'S RESPONSIBILITY EXCEED THE PURCHASE PRICE OF THE PRODUCT. EXCEPT TO THE EXTENT PROHIBITED BY APPLICABLE LAW, ANY IMPLIED WARRANTIES, INCLUDING THAT OF MERCHANTABILITY OR FITNESS FOR USE OR FOR A PARTICULAR PURPOSE, ARE EXPRESSLY DISCLAIMED. SOME STATES DO NOT ALLOW LIMITATIONS ON HOW LONG AN IMPLIED WARRANTY LASTS, OR THE EXCLUSION OR LIMITATION OF INCIDENTAL OR CONSEQUENTIAL DAMAGES, SO THE ABOVE LIMITATION AND EXCLUSION MAY NOT APPLY TO YOU.

ROUGH - IN / DIMENSIONS

FRONT VIEW



SIDE VIEW



ENGLISH

TABLE DES MATIÈRES

Merci d'avoir choisi TOTO!	17
Avertissements	17
Avant l'installation	17
Pièces fournies	18
Outils communs requis	18
Installation du distributeur et du réservoir	19
Procédure d'installation	20-24
Essai	25
Comment utiliser ce produit	25
Remplissage de savon	26
Remplacement des pile [Type CC]	26
Soin et nettoyage	27
Entretien périodique	28
Suspension à long terme de l'utilisation	28
Dépannage	29
Spécification	29
Garantie	30
Dimensions de robinetterie brute	31

MERCI D'AVOIR CHOISI TOTO!

La mission de TOTO est d'offrir au monde entier un style de vie sain, hygiénique et plus confortable. Comme principe de base, nous concevons chaque produit de manière à proposer un équilibre entre la forme et la fonction. Félicitations pour votre choix.

AVERTISSEMENTS

Veillez lire et respecter les remarques suivantes. Le non-respect de cet avertissement pourrait entraîner des blessures et/ou des dommages.

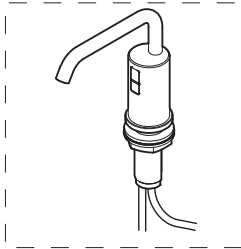
- Personne d'autre qu'un technicien d'entretien ne doit démonter, réparer ou modifier ce distributeur, à moins que ce ne soit décrit spécialement dans ce manuel. Le non-respect de cette consigne pourrait entraîner une décharge électrique ou un problème de fonctionnement du produit.
- N'utilisez pas ce distributeur dans des endroits humides où la condensation pourrait s'accumuler à la surface, notamment dans un sauna ou un bain à vapeur.
- Ne frappez pas et ne donnez pas de coups de pied au distributeur ou au boîtier du contrôleur, car cela pourrait endommager l'appareil ou provoquer une fuite.
- N'utilisez pas ce distributeur si la température ambiante diminue au point de congélation.
- Assurez-vous que le câble d'alimentation n'entre pas en contact avec la conduite d'alimentation en eau chaude.
- Évitez de placer tout objet dans la zone de détection du capteur infrarouge.
- Utilisez uniquement un savon liquide approuvé par TOTO.
- Assurez-vous que la prise électrique est dans une position où il ne sera pas mouillé pendant l'utilisation.

AVANT L'INSTALLATION

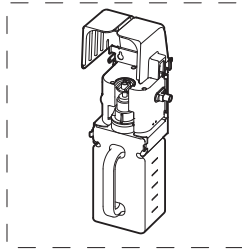
- Lisez ces instructions attentivement pour assurer une installation adéquate.
- TOTO se réserve le droit de modifier la conception du produit sans préavis.
- Assurez-vous d'avoir toutes les pièces indiquées à la page suivante.

PIÈCES INCLUSES

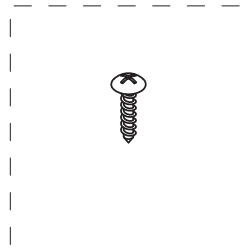
Assemblage du bec



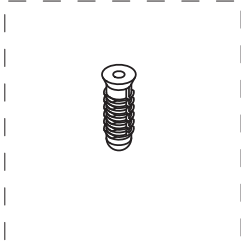
Contrôleur



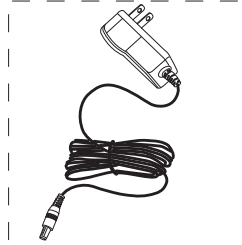
Vis auto-taraudeuse (x3)



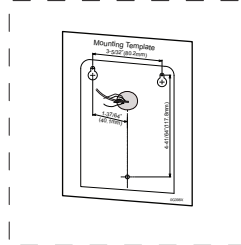
Ancrage (3X)



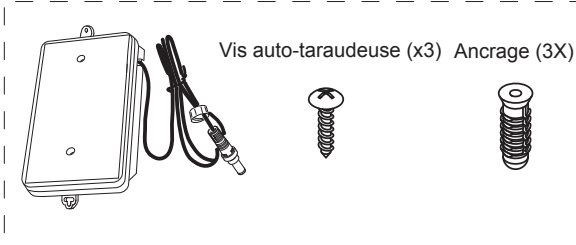
Adaptateur CA (Type CA)



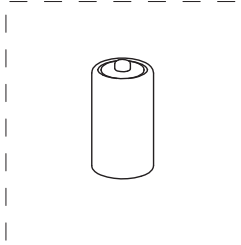
Gabarit de montage



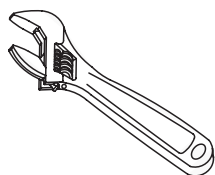
Logement des piles (Type CC)



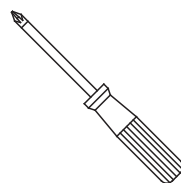
Pile alcaline (1,5 V)
(x4) (Type cc)



OUTILS COMMUNS REQUIS



Clé ajustable

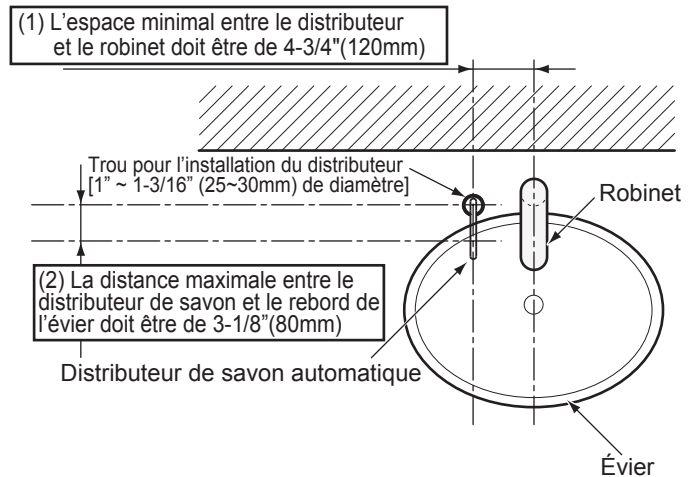


Tournevis (tête étoilée)

INSTALLATION DU DISTRIBUTEUR ET DU RÉSERVOIR

Position du distributeur

1. Assurez-vous de laisser un espace d'au moins 4-3/4"(120mm) entre le distributeur de savon et le robinet pour éviter une activation accidentelle.
2. Laissez un espace de 3-1/8"(80mm) entre le rebord interne de l'évier et les trous d'installation du bec pour vous assurer que le savon résiduel du bec de distributeur puisse s'égoutter dans l'évier.



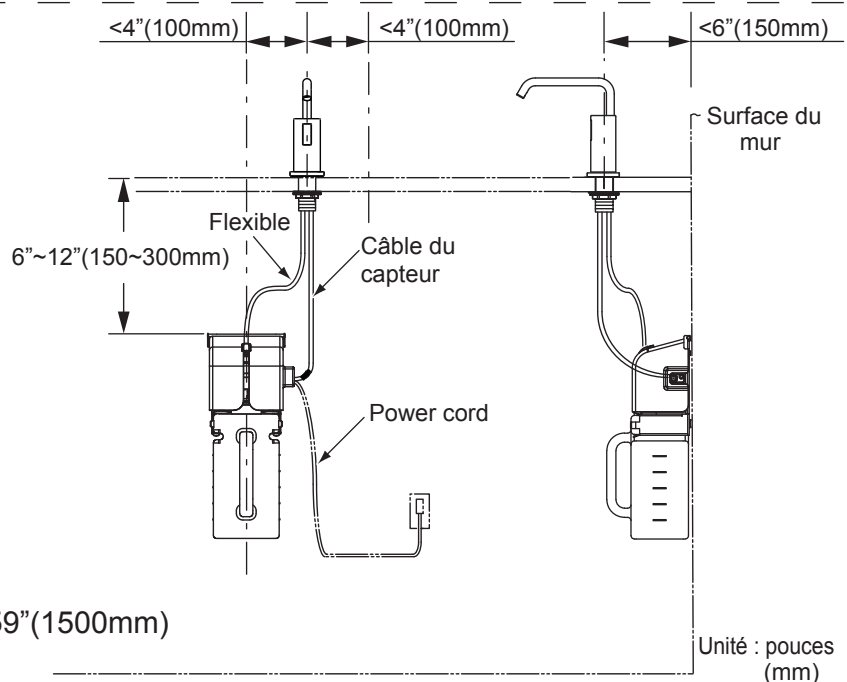
Position du réservoir

1. Lors de l'installation du contrôleur, assurez-vous que le tuyau et les câbles puissent atteindre le réservoir.
2. Si le tuyau est trop long, veuillez le couper à une longueur convenable

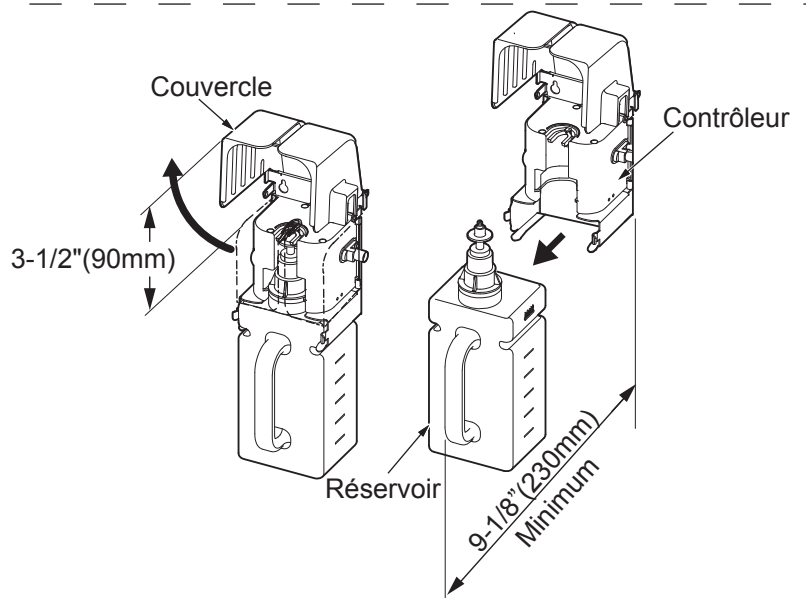
Longueur du flexible:
17-3/4"(450mm)

Longueur du câble du capteur : 19-3/4"(500mm)

Longueur du cordon électrique: 59"(1500mm)

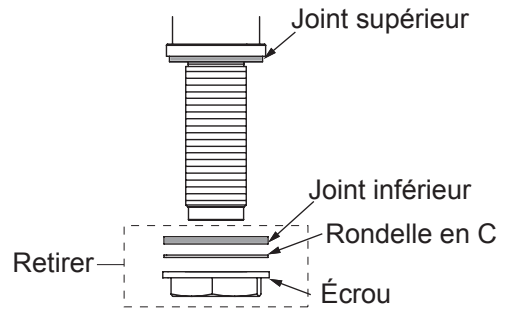


3. Assurez-vous qu'il y ait un espace adéquat pour le remplissage/la réinstallation du réservoir à savon.

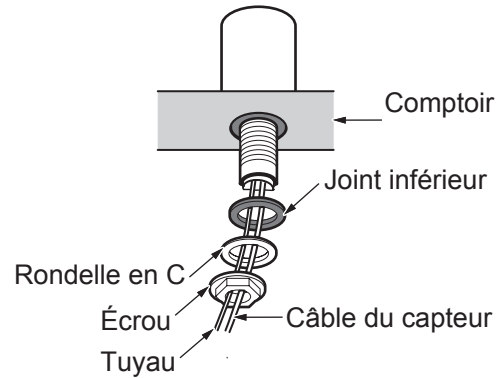


PROCÉDURE D'INSTALLATION – Bec

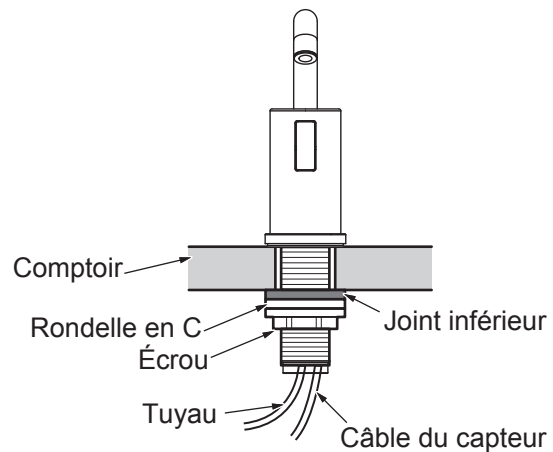
1. Retirez l'écrou, la rondelle en C et le joint inférieur.



2. Installez le bec sur le comptoir.
3. Installez le joint inférieur, la rondelle en C et l'écrou dans cet ordre.



4. Confirmez l'alignement du bec et serrez l'écrou.



PROCÉDURE D'INSTALLATION – Contrôleur

1. Sélectionnez la position du contrôleur et le gabarit de montage pour la disposition souhaitée.

Assurez-vous que le câble du capteur et le tuyau du savon puissent atteindre le gabarit de montage.

2. Marquez l'emplacement des trous de montage.

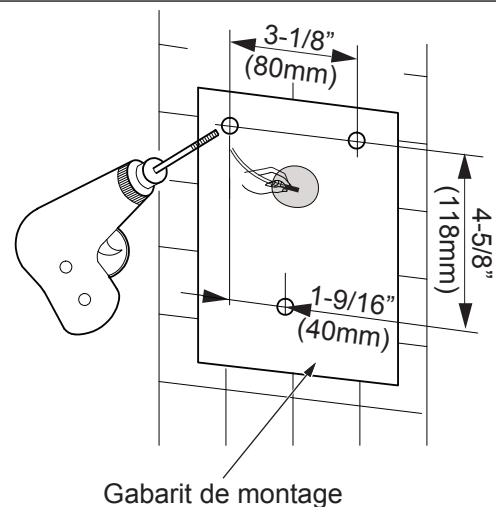
3. Percez 3 trous.

Profondeur des trous : 1" (25mm)

Dimension : 7/64" (3mm) sans ancrage

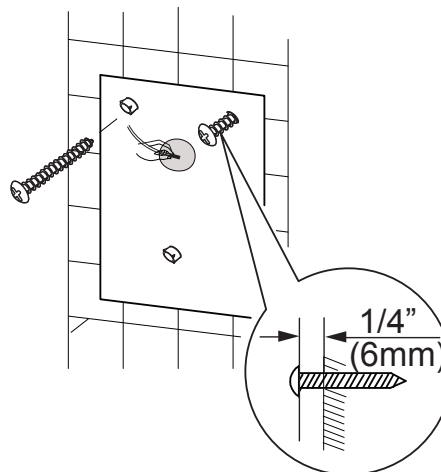
1/4" (7mm) avec ancrage

Important : Le gabarit de montage doit être de niveau.

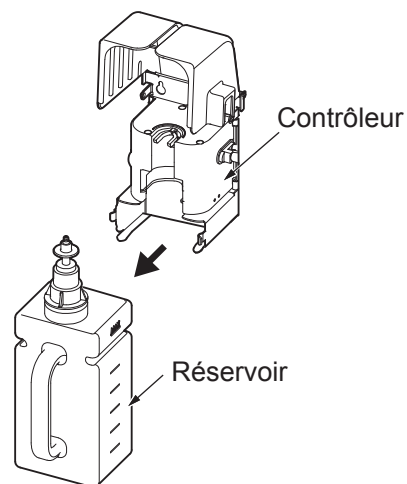


4. Insérez les vis auto-taraudeuses dans les deux trous supérieurs jusqu'à ce qu'il y ait un espace de 1/4" (6mm) entre la tête de la vis et le mur.

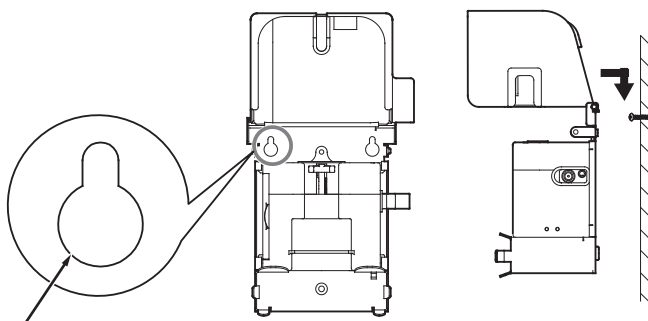
Utilisez des ancrages si nécessaire.



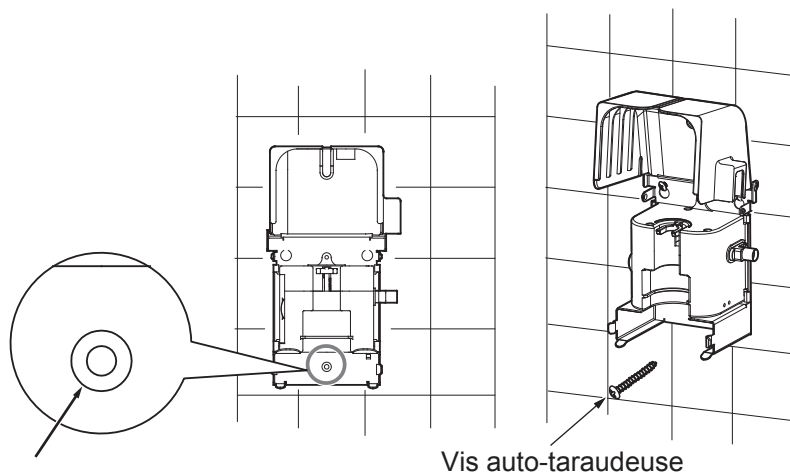
5. Retirez le réservoir du contrôleur.



6. Suspendez le contrôleur sur les deux vis.

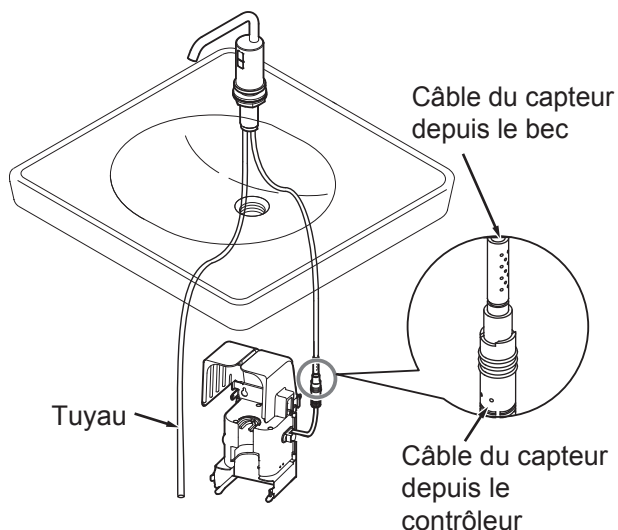


7. Insérez une vis auto-taraudeuse dans le trou inférieur du contrôleur, puis serrez-la.



Vis auto-taraudeuse

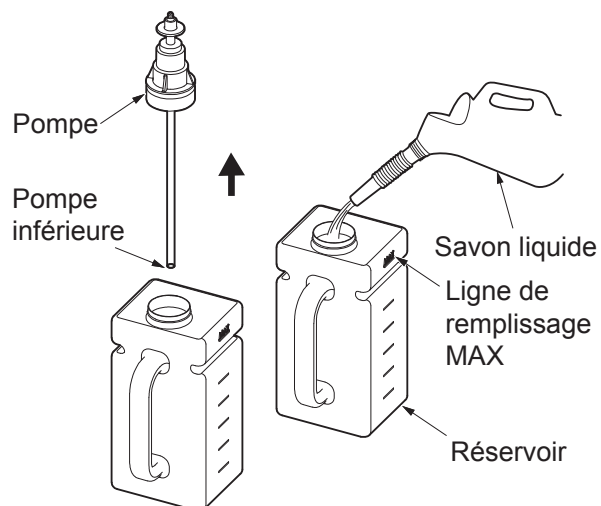
8. Connectez les câbles du capteur.



PROCÉDURE D'INSTALLATION – Réservoir

1. Retirez la pompe du réservoir.
2. Versez lentement le savon liquide dans le réservoir.

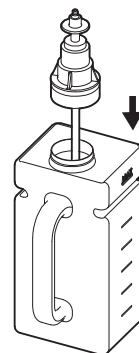
REMARQUE : Gardez la pompe propre lors du remplissage du savon, en veillant plus particulièrement à ce que l'extrémité inférieure de la pompe ne soit pas en contact avec le plancher.



REMARQUE : Remplissez le réservoir jusqu'à la ligne MAX.

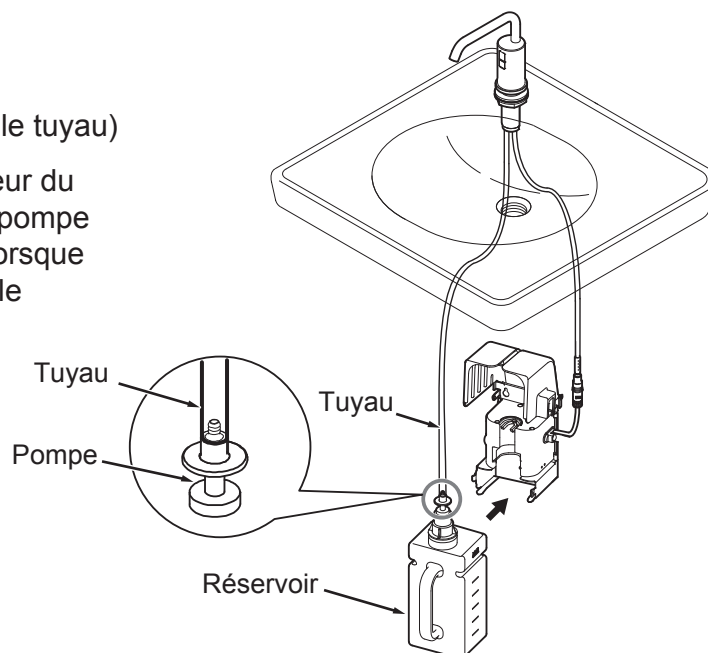
REMARQUE : Utilisez uniquement un savon liquide approuvé par TOTO.

3. Réinstallez la pompe en la poussant fermement vers le bas au-dessus de l'ouverture du réservoir jusqu'à ce qu'elle soit enclenchée.



- Connectez le tuyau au réservoir.
(Insérez la bordure complètement dans le tuyau)

REMARQUE : Assurez-vous que la longueur du tube empêche le bas de la pompe de mise en contact du sol lorsque la cuve est retirée pendant le remplissage.

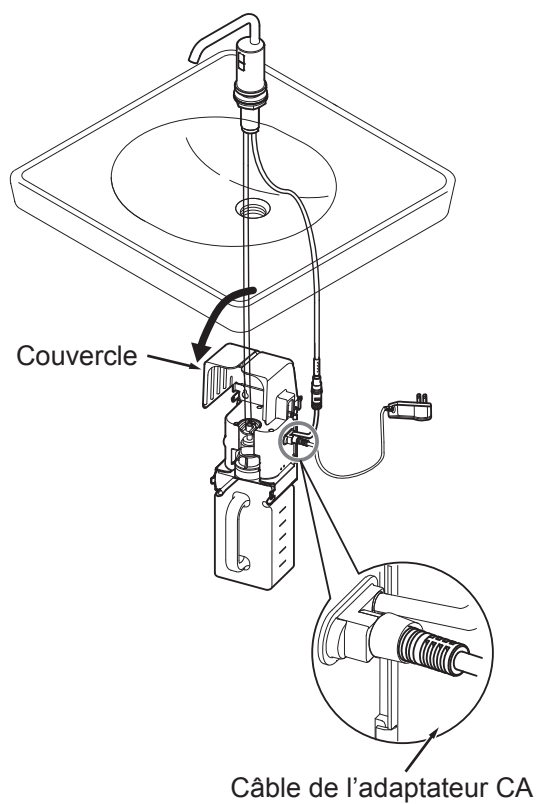


- Montez le réservoir sur le contrôleur.

PROCÉDURE D'INSTALLATION – Connexion de l'alimentation

[Type CA]

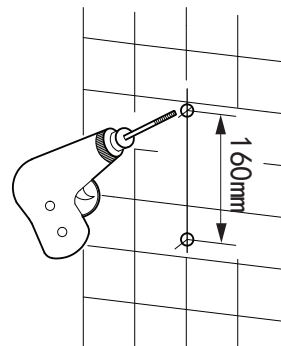
- Connectez le câble de l'adaptateur CA au contrôleur.
- Branchez l'adaptateur CA dans une prise de courant (appropriée).
- Fermez le couvercle.



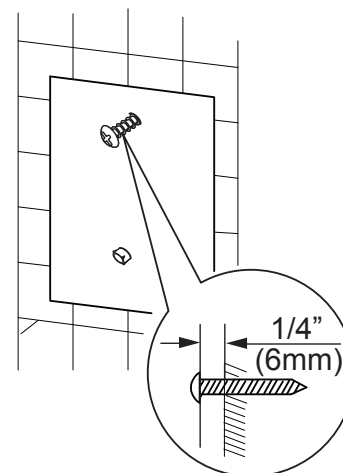
PROCÉDURE D'INSTALLATION – Boîtier des piles

[Type CC]

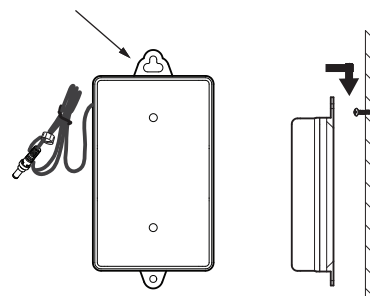
1. Sélectionnez une position pour le logement des piles.
Assurez-vous que le câble d'alimentation puisse atteindre le contrôleur.
2. Marquez l'emplacement des trous de montage.
3. Percez 2 trous.
Profondeur des trous : 1" (25mm)
Dimension : 7/64" (3mm) sans ancrage
1/4" (7mm) avec ancrage



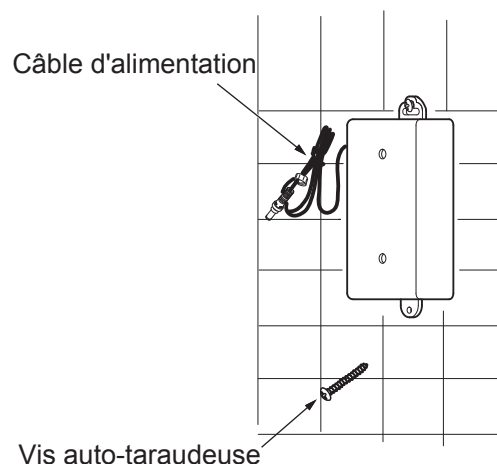
4. Insérez la vis auto-taraudeuse dans le trou supérieur jusqu'à ce qu'il y ait un espace de 1/4" (6mm) entre la tête de la vis et le mur.
Utilisez des ancrages si nécessaire.



5. Suspendez le logement des piles sur la vis.



6. Insérez une vis auto-taraudeuse dans le trou inférieur du logement, puis serrez-la.
7. Connectez le câble d'alimentation au contrôleur.

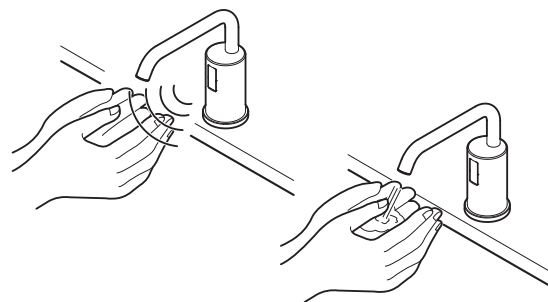


ESSAI

Une fois l'installation terminée, confirmez que le distributeur fonctionne adéquatement en utilisant la méthode suivante.

1. Placez vos mains sous le bec du distributeur et gardez-les à cet endroit jusqu'à ce que le savon soit distribué.

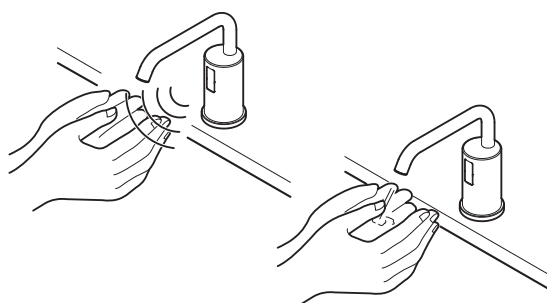
REMARQUE : Assurez-vous qu'aucun savon ne fuit du tuyau et des raccords.



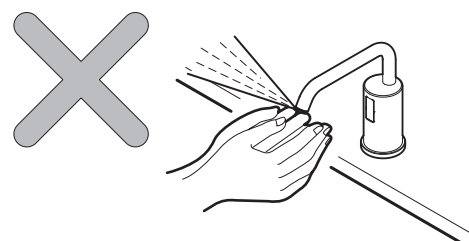
COMMENT UTILISER CE PRODUIT

Placez les mains sous le bec du distributeur.

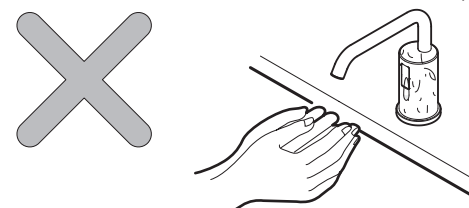
- Une quantité de savon adéquate est distribuée automatiquement.



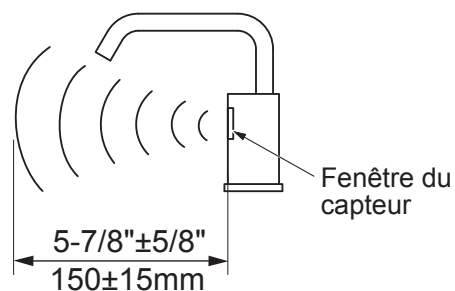
Mise en garde : Veuillez ne pas obstruer l'ouverture du bec de distributeur. Le savon pourrait être projeté dans une direction imprévisible.



Mise en garde : Veuillez ne pas placer de savon liquide sur le distributeur. Si le capteur est sale, il pourrait ne pas fonctionner correctement.



La plage de détection du capteur est de 5-7/8"±5/8"(150mm±15mm).



REPLISSAGE DE SAVON

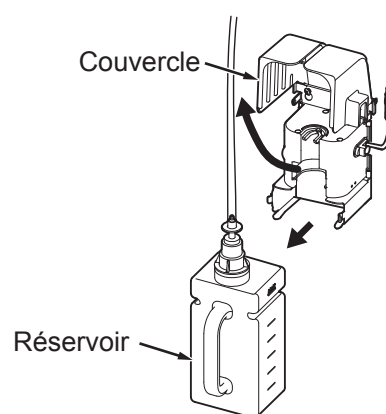
Le distributeur de savon conserve la trace de l'utilisation de savon en comptant distribution de savon.

Il affiche une DEL voyant vert clignotant pour signaler le niveau de savon faible.

Une coupure de courant (type AC) ou changer les piles (type DC) perturbe le compte et pourraient empêcher le témoin de clignoter.

Pour garantir la précision, toujours ajouter du savon à la ligne MAX fois l'alimentation rétablie.

1. Ouvrez le couvercle.
2. Retirez le réservoir du contrôleur.

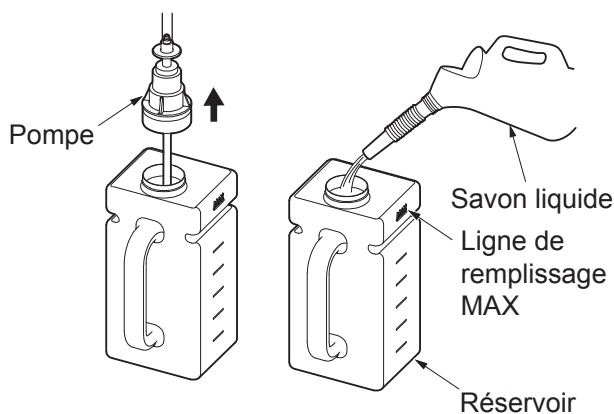


3. Retirez la pompe du réservoir.
4. Versez lentement le savon liquide dans le réservoir.

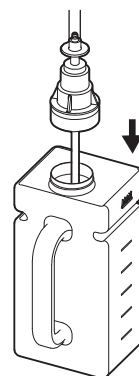
REMARQUE : Nettoyer le récipient avant de le remplir.

REMARQUE : Remplissez le réservoir jusqu'à la ligne MAX.

REMARQUE : Utilisez uniquement un savon liquide approuvé par TOTO.

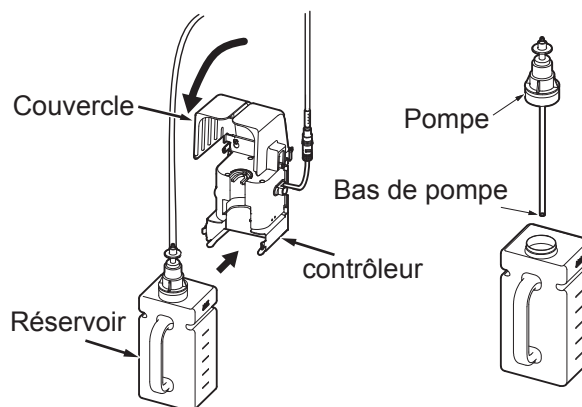


5. Réinstallez la pompe en la poussant fermement vers le bas au-dessus de l'ouverture du réservoir jusqu'à ce qu'elle soit enclenchée.



6. Montez le réservoir sur le contrôleur.
7. Fermez le couvercle.

8. Purger la ligne en tenant les mains sous le bec jusqu'à ce que le savon est déchargé. Distributeur peut être activé jusqu'à dix fois de suite tout en tenant la main sous le bec immédiatement après remplissage.



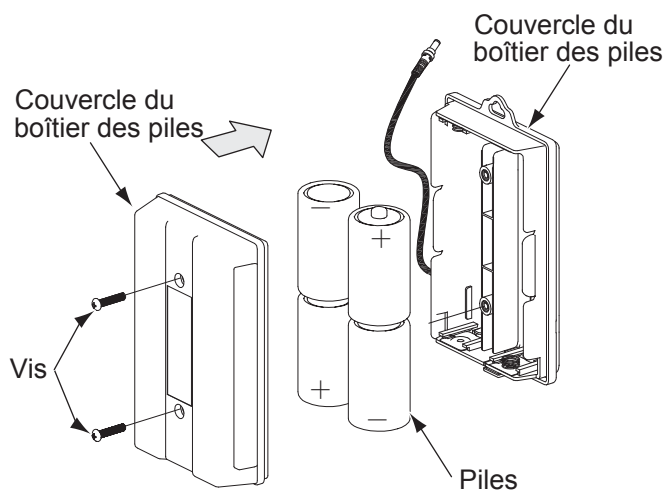
REPLACEMENT DE LA PILE [Type CC]

1. Retirez le couvercle du logement des piles.
2. Installez quatre (4) piles taille D alcalines.

REMARQUE : Assurez-vous que les piles sont installées dans le bon sens (polarité).

3. Réinstallez le couvercle du logement des piles.

4. Serrez les vis.



SOIN ET NETTOYAGE

- **Pour un nettoyage léger**

Essuyez tout débris ayant adhéré au bec verseur ou au capteur.

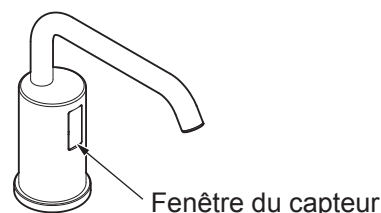


- **Pour un nettoyage intensif**

Essuyez les débris à l'aide d'un chiffon humide contenant une quantité adéquate de détergent à vaisselle neutre.

Essuyez ensuite à l'aide d'un chiffon humide.

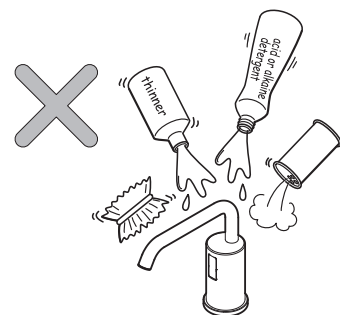
- Lors du nettoyage autour du capteur. Veillez à ne pas égratigner la surface de la fenêtre du capteur.



- N'utilisez pas de détergents risquant d'endommager la surface du bec verseur.

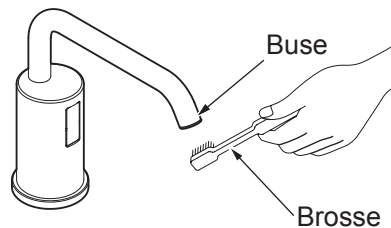
Parmi ceux-ci :

- Détergents contenant de l'acide, un agent chloré de blanchiment ou un alcali.
- Détergents sous forme de granules grossières, tels que la poudre à polir.
- Solvants tels que le diluant à peinture ou le benzène.
- Articles abrasifs tels que les lavettes/brosses en nylon, la laine d'acier, etc.



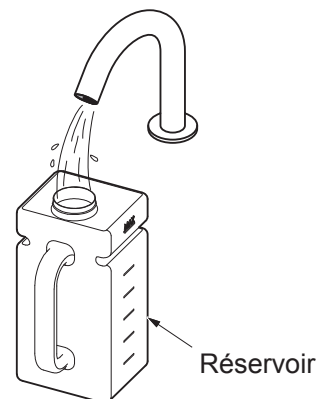
- **Pour le nettoyage de la buse**

Nettoyez la buse à l'aide d'une brosse douce pour éliminer toute poussière présente sur le tamis.



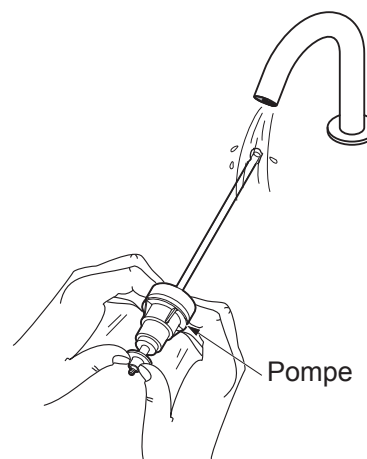
- **Nettoyage du réservoir**

Nettoyez régulièrement le réservoir à l'eau.



- **Pour le nettoyage de la pompe**

Si la pompe bloque ou qu'un refoulement se produit, lavez la pompe avec de l'eau en la tenant à l'envers et exercez manuellement une pression sur la pompe à plusieurs reprises.



ENTRETIEN PÉRIODIQUE

- **Une fois par mois :**

1. Vérifiez tous les raccordements de tuyau pour tout signe de fuite.
2. Essayez toute poussière présente sur l'adaptateur CA [Type CA uniquement].

- **Deux fois par année :**

1. Vérifiez tous les raccords fixes et serrez-les au besoin.

SUSPENSION À LONG TERME DE L'UTILISATION

Si il y aura de longues périodes de temps où le distributeur ne sera pas utilisée, enlever tout le savon de distributeur selon la méthode suivante.

1. Retirer du savon à partir du réservoir et laver le réservoir avec de l'eau.
2. Remplir le réservoir avec de l'eau et mettre en place le distributeur comme d'habitude.
3. Rincer la ligne avec de l'eau en activant distributeur jusqu'à pas de savon sort du bec. Remplir avec de l'eau si nécessaire.
4. Jeter l'eau dans le réservoir et laisser le réservoir à sec.
5. Placez le réservoir de retour dans le contrôleur.
6. Débranchez l'alimentation jusqu'à ce que l'utilisation reprend.

DÉPANNAGE

Problème	Fonctionnement	Cause	Solution
Aucun savon n'est distribué	Voyant DEL vert clignotant	Le niveau de savon est bas	Remplissez le réservoir de savon liquide.
	Voyant DEL rouge clignotant	Le niveau de la pile est faible	Remplacez les piles.
	Voyant DEL vert allumé	La pompe bloque	Nettoyez la pompe.
		La viscosité du savon est élevée	Procurez-vous un savon liquide approuvé par TOTO.
	-	La fenêtre du capteur est sale	Nettoyez la fenêtre du capteur.
	-	Le câble du capteur est déconnecté	Connectez le câble.
	-	Il y a un obstacle devant la fenêtre du capteur	Retirez l'obstacle.
	-	La source d'alimentation (adaptateur CA ou boîtier des piles) est déconnectée	Raccordez le câble.
	-	Le tuyau est déconnecté	Connectez le tuyau.
-	Adaptateur secteur n'est pas branché	Branchez l'adaptateur secteur.	
La distribution du savon est ininterrompue	-	La fenêtre du capteur est sale	Nettoyez la fenêtre du capteur.
	-	Il y a un obstacle devant la fenêtre du capteur	Retirez l'obstacle.
Le savon est distribué de manière imprévisible	-	La fenêtre du capteur est sale	Nettoyez la fenêtre du capteur.
	-	Le capteur sera désactivé après 48 heures d'inutilisation pour éviter un blocage	-
La quantité de savon distribué est petite	-	La pompe ne fonctionne pas correctement	Nettoyez la pompe.

SPÉCIFICATION

Type	TES100AA	TES100DA
Alimentation	AC AC 100~240V Pour une utilisation avec alimentation de classe 2 ou source d'alimentation limitée	DC quatre (4) piles taille 1.5V D alcalines
Plage de détection du capteur	5-7/8"±5/8"(150mm±15mm)	
Température ambiante	32~104°F (1~40°C)	
Humidité	Max. 90% RH	
Volume de savon	0.03-0.04 oz (0.8-1.2ml)	
Capacité du réservoir	50 oz (1500ml)	

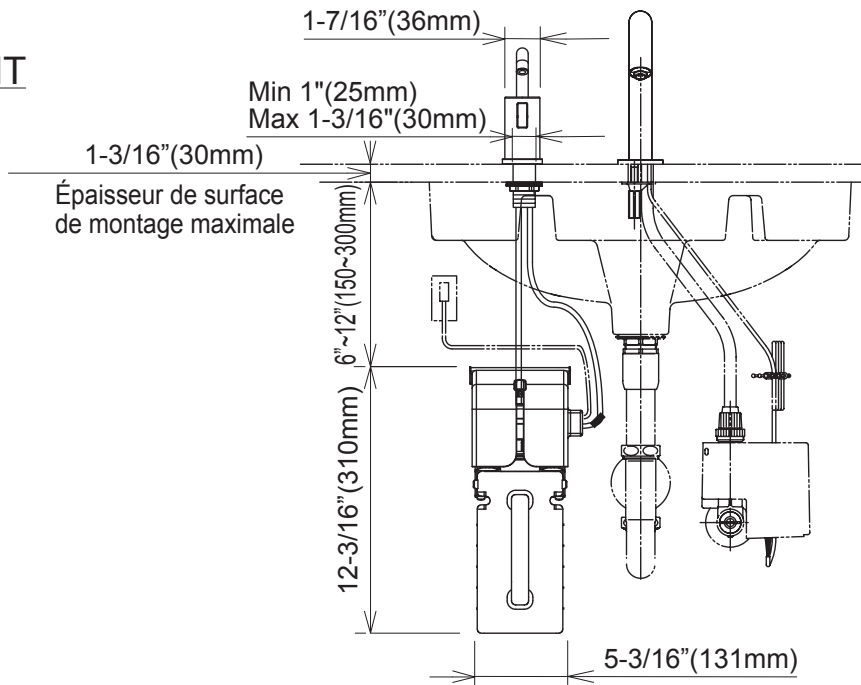
GARANTIE

1. TOTO[®] garantit que ses robinets de chasse électroniques, robinets et distributeurs de savon (« produit ») sont exempts de défauts de matériaux et de fabrication pendant l'utilisation normale lorsqu'ils sont correctement installés et entretenus, pour une durée de trois (3) ans à partir de la date d'achat. Cette garantie limitée est seulement offerte à l'ACHETEUR ORIGINAL du produit et n'est pas transférable à un tiers, y compris mais non de façon limitative tout acheteur ou propriétaire ultérieur du produit. Cette garantie s'applique uniquement aux produits de TOTO achetés et installés en Amérique du Nord, Centrale et du Sud.
2. Les obligations de TOTO en vertu de cette garantie sont limitées à la réparation, au remplacement ou à l'ajustement approprié, à la discrétion de TOTO, du produit ou des pièces défectueuses pendant l'utilisation normale, à condition qu'un tel produit soit correctement installé, utilisé et entretenu selon les instructions. TOTO se réserve le droit d'effectuer toute inspection jugée nécessaire dans le but de déterminer la cause du défaut. TOTO ne facturera pas la main-d'oeuvre ou les pièces relatives à des réparations ou remplacements sous garantie. TOTO n'est pas responsable du coût du retrait, du retour et/ou de la réinstallation du produit.
- . Cette garantie ne s'applique pas aux éléments suivants :
 - 3 a. Dommage ou perte résultant d'une catastrophe naturelle comme un incendie, un tremblement de terre, une inondation, la foudre, un orage électrique, etc.
 - b. Dommage ou perte résultant de tout accident, de toute utilisation non raisonnable, incorrecte, abusive ou négligente, ou de soins, de nettoyage ou d'entretien inappropriés du produit.
 - c. Dommage ou perte résultant des sédiments ou des corps étrangers présents dans un système de savon liquide.
 - d. Dommage ou perte résultant de l'installation inappropriée ou de l'installation du produit dans un environnement rude et/ou dangereux, ou le retrait, la réparation ou la modification inapproprié(e) du produit.
 - e. Dommage ou perte résultant de surtensions électriques, de la foudre ou d'autres actes qui ne constituent pas la faute de TOTO ou que le produit n'est pas conçu pour tolérer.
 - f. Dommage ou perte résultant de l'usure normale et habituelle, comme la réduction de la brillance, les rayures ou la décoloration au fil du temps dues à l'usure, les pratiques de nettoyage ou l'eau ou les conditions atmosphériques, y compris mais non de façon limitative, l'utilisation de javellisant, d'alcalis, de nettoyeurs acides, de nettoyeurs secs (en poudre) ou de tout autre nettoyeur abrasif, ou l'utilisation de brosses en nylon ou en métal.
4. Pour que cette garantie limitée soit valide, une preuve d'achat est requise. TOTO vous encourage à enregistrer la garantie à l'achat pour créer une déclaration de propriété du produit sur <http://www.se>. TOTO vous encourage à enregistrer la garantie à l'achat, mais le fait de ne pas l'enregistrer ne diminuera en rien vos droits de garantie limitée.
5. CETTE GARANTIE VOUS DONNE DES DROITS LÉGAUX SPÉCIFIQUES. VOUS POURRIEZ AVOIR D'AUTRES DROITS VARIANT D'UN ÉTAT À L'AUTRE, D'UNE PROVINCE À L'AUTRE OU D'UN PAYS À L'AUTRE.
6. Pour obtenir une réparation sous garantie, vous devez emmener le produit ou le faire livrer en port payé à un centre de service TOTO avec une preuve d'achat (reçu d'achat original) et une lettre expliquant le problème, ou contacter un distributeur de TOTO ou un prestataire de service pour les produits, ou écrire directement à TOTO U.S.A., INC., 1155 Southern Road, Morrow, GA 30260 (888) 295 8134 ou (678) 466-1300, si vous vous trouvez hors des États-Unis. S'il est impossible de retourner le produit à TOTO en raison de sa taille ou de la nature du défaut, la réception par TOTO d'un avis écrit du défaut accompagné de la preuve d'achat (reçu d'achat original) constitue la livraison. En pareil cas, TOTO pourrait choisir de réparer le produit sur le lieu où se trouve l'acheteur ou de payer le transport du produit vers un centre de service.

CETTE GARANTIE ÉCRITE CONSTITUE LA SEULE GARANTIE OFFERTE PAR TOTO. TOUTE RÉPARATION, TOUT REMPLACEMENT OU TOUT AUTRE AJUSTEMENT NÉCESSAIRE COUVERT PAR CETTE GARANTIE SERA LA SOLUTION EXCLUSIVE À LA DISPOSITION DE L'ACHETEUR ORIGINAL. TOTO N'EST PAS RESPONSABLE DE LA PERTE DU PRODUIT OU D'AUTRES DÉPENSES OU DOMMAGES ACCIDENTELS, PARTICULIERS OU CONSÉCUTIFS OCCASIONNÉS PAR L'ACHETEUR ORIGINAL, OU DE LA MAIN-D'OEUVRE OU DES AUTRES FRAIS DUS À L'INSTALLATION OU AU RETRAIT, OU DES FRAIS DE RÉPARATION PAR DES TIERS, OU DE TOUTE AUTRE DÉPENSE QUI N'EST PAS EXPRESSÉMENT MENTIONNÉE CI-DESSUS. EN AUCUNE CIRCONSTANCE LA RESPONSABILITÉ DE TOTO NE SERA SUPÉRIEURE AU PRIX D'ACHAT DU PRODUIT. SAUF DANS LA MESURE OÙ CELA EST INTERDIT PAR LA LOI EN VIGUEUR, TOUTE GARANTIE IMPLICITE, Y COMPRIS CELLE DE VALEUR MARCHANDE OU D'ADAPTATION À UN USAGE OU UN EMPLOI PARTICULIER, EST EXPRESSÉMENT EXCLUE. CERTAINS ÉTATS N'AUTORISENT PAS DE LIMITATIONS SUR LA DURÉE DE LA GARANTIE IMPLICITE OU L'EXCLUSION OU LA LIMITATION DES DOMMAGES INDIRECTS OU CONSÉCUTIFS; IL EST DONC POSSIBLE QUE LA LIMITATION ET L'EXCLUSION SUSMENTIONNÉES NE S'APPLIQUENT PAS À VOUS.

ROBINETTERIE BRUTE / DIMENSIONS

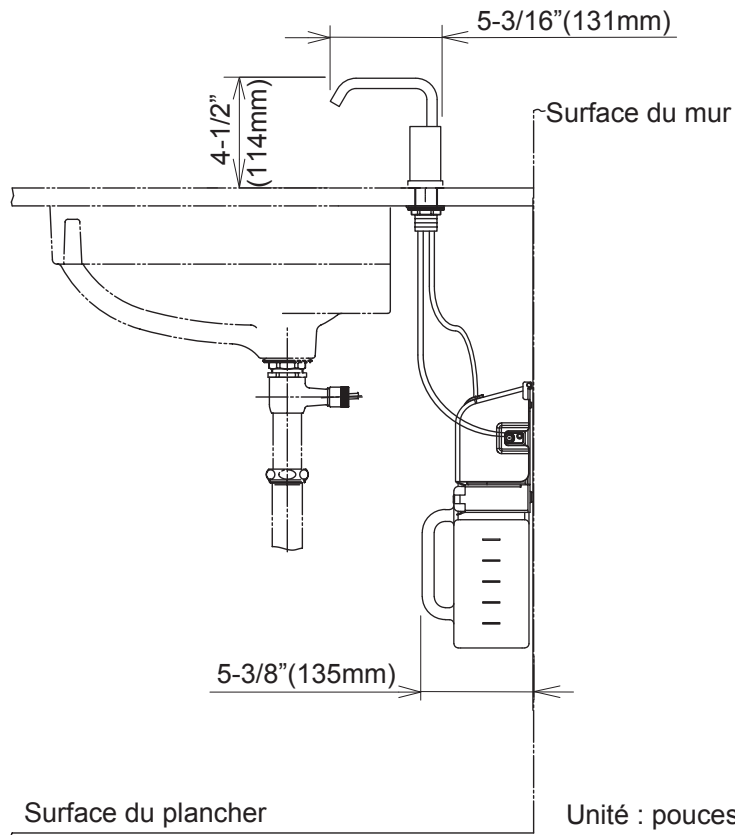
VUE AVANT



Longueur du tuyau : 17-3/4" (450mm)
 Longueur du câble de capteur : 19-3/4" (500mm)
 Longueur du cordon électrique : 59" (1500mm)

Surface du plancher

VUE DE CÔTÉ



Unité : pouces (mm)

ÍNDICE

¡Gracias por elegir TOTO!	32
Advertencias	32
Antes de la instalación	32
Piezas incluidas	33
Herramientas comunes necesarias	33
Instalación del dispensador y cartucho	34
Procedimiento de instalación	35-39
Pruebas	40
Cómo utilizar este producto	40
Cómo rellenar el jabón	41
Sustituir la batería [Tipo CC]	42
Cuidado y limpieza	42
Mantenimiento periódico	43
Suspensión de largo plazo de uso	43
Solución de problemas	44
Especificaciones	44
Garantía	45
Medidas de montaje	46

¡GRACIAS POR ELEGIR TOTO!

La misión de TOTO es ofrecer al mundo estilos de vida saludables, higiénicos y más cómodos. Diseñamos cada producto con el equilibrio entre la forma y función como principio guía. Felicitaciones por su elección.

ADVERTENCIAS

Lea y cumpla con las notas que aparecen a continuación. De lo contrario, podrían producirse daños físicos o daños a la propiedad.

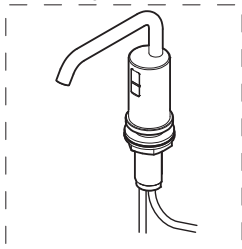
- Nadie más que un ingeniero de servicio debe desmontar, reparar o modificar este dispensador, a menos que se describa específicamente en este manual. En caso de no hacerlo puede dar lugar a descargas eléctricas o funcionamiento defectuoso del producto.
- No utilice este dispensador en un lugar húmedo donde pueda acumularse condensación en la superficie, especialmente en un sauna o cuarto de vapor.
- No golpee ni patee la caja del dispensador o controlador, ya que podría dañar la unidad o provocar una fuga.
- No utilice este depósito si la temperatura ambiente disminuye por debajo del punto de congelación.
- Asegúrese de que el cable de alimentación no entre en contacto con la línea de suministro de agua caliente.
- Evite colocar objetos dentro del rango de detección del sensor infrarrojo.
- Utilice únicamente jabón líquido aprobado por TOTO.
- Asegúrese de que la toma de corriente se encuentre en una posición en la que no se moje durante el uso del producto.

ANTES DE LA INSTALACIÓN

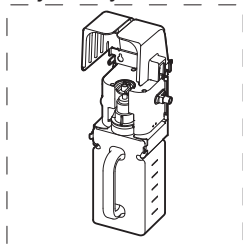
- Lea estas instrucciones atentamente para asegurar una instalación correcta.
- TOTO se reserva el derecho de actualizar el diseño del producto sin previo aviso.
- Asegúrese de tener las piezas indicadas en la siguiente página.

PIEZAS INCLUIDAS

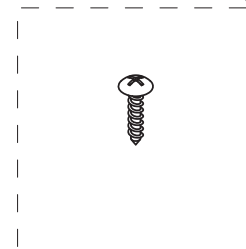
Dispensador



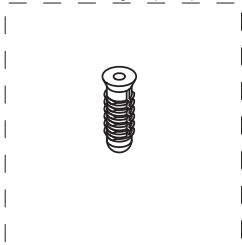
Cartucho de recarga del jabón y controlador



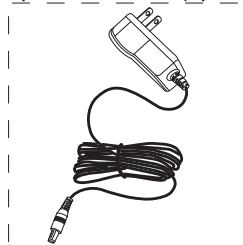
Tornillo autorroscante (3X)



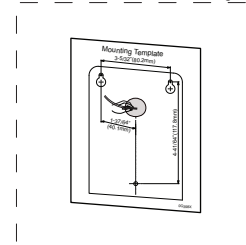
Anclaje (3X)



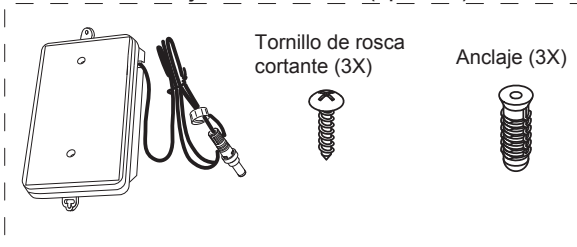
Adaptador de CA (tipo CA)



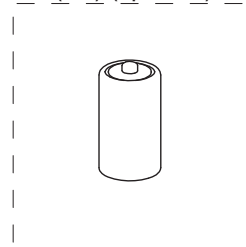
Plantilla de montaje



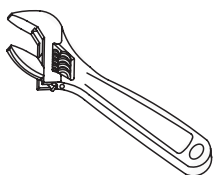
Caja de la batería (tipo CC)



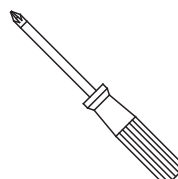
Batería alcalina (D 1,5 V)
(4X) (tipo CC)



HERRAMIENTAS COMUNES NECESARIAS



Llave ajustable

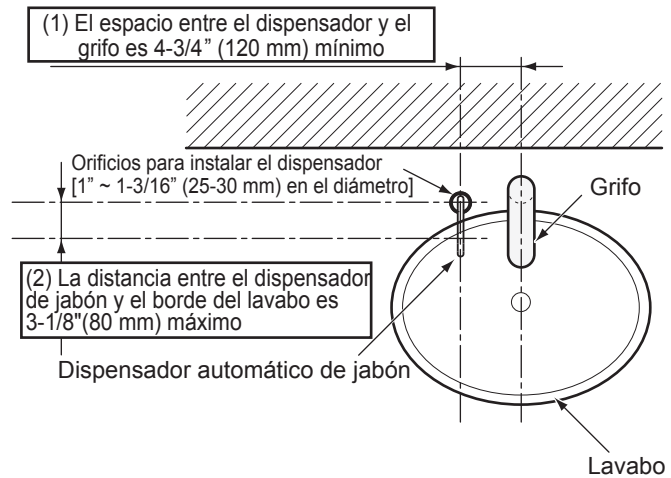


Destornillador (Phillips)

INSTALACION DEL DISPENSADOR Y CARTUCHO

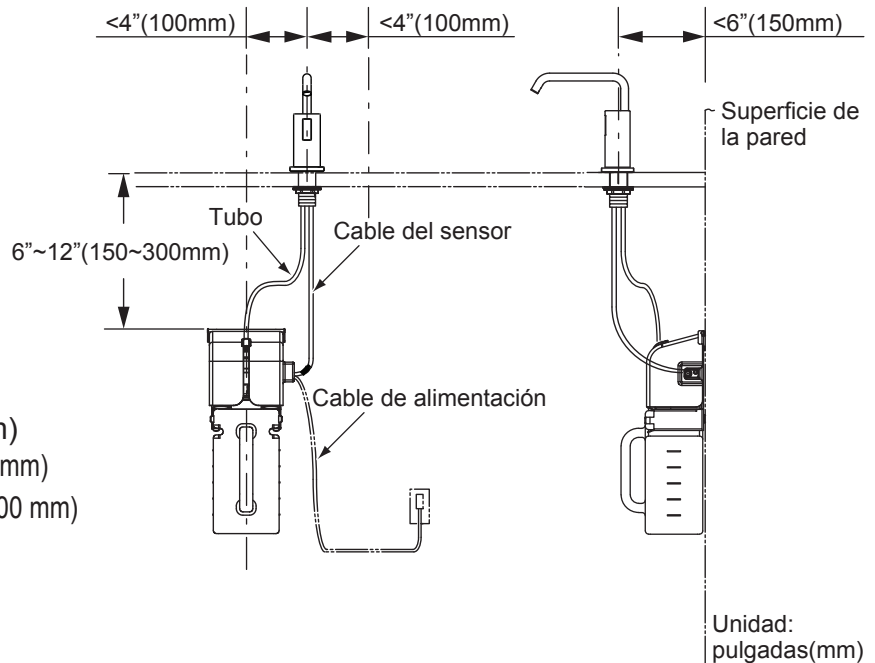
Posición del dispensador

1. Asegúrese de dejar por lo menos 4-3/4" (120 mm) de espacio entre el dispensador de jabón y el grifo para evitar la activación accidental.
2. Deje 3-1/8"(80 mm) de espacio desde el borde interior del lavabo hasta los orificios de instalación del caño para garantizar que ningún jabón residual gotee desde el caño del dispensador en el recipiente del lavabo.

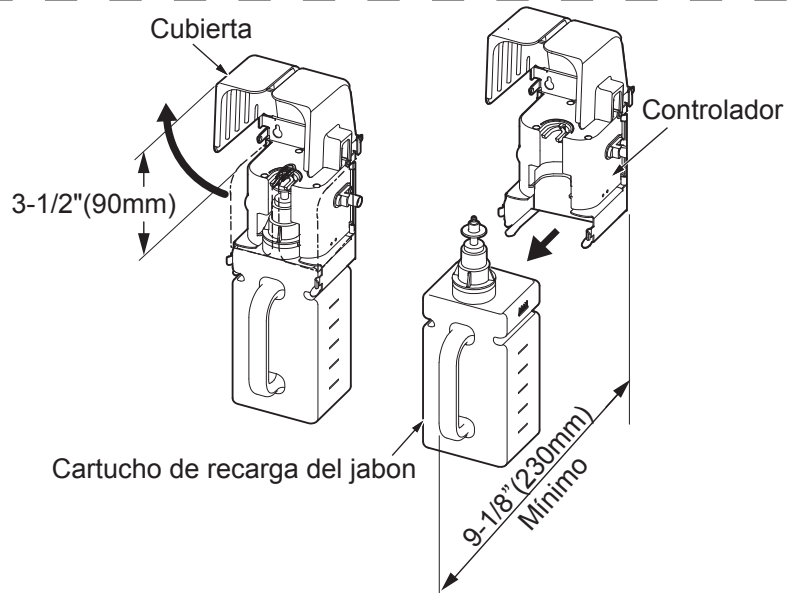


Posición del depósito

1. Al instalar el controlador, asegúrese de que los cables y el tubo puedan alcanzar el tanque.
2. Si el tubo es demasiado largo, córtelo hasta alcanzar la longitud adecuada.
 Largo del Tubo: 17-3/4" (450 mm)
 Largo del cable del sensor: 19-3/4" (500 mm)
 Largo del cable de alimentación: 59" (1500 mm)



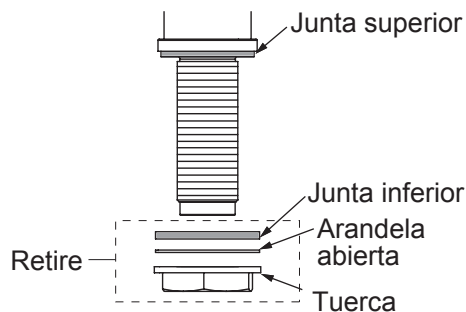
3. Asegúrese de que haya suficiente espacio para rellenar/reemplazar el cartucho del jabón.



ESPAÑOL

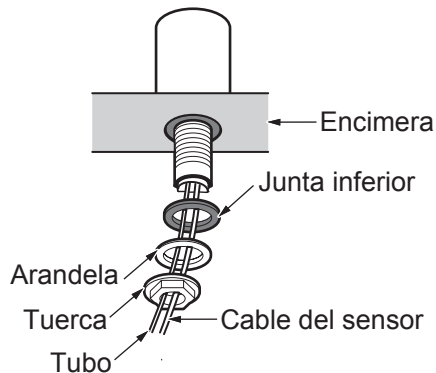
PROCEDIMIENTO DE INSTALACIÓN – Del Dispensador

1. Retire la tuerca, la arandela abierta y la junta inferior.

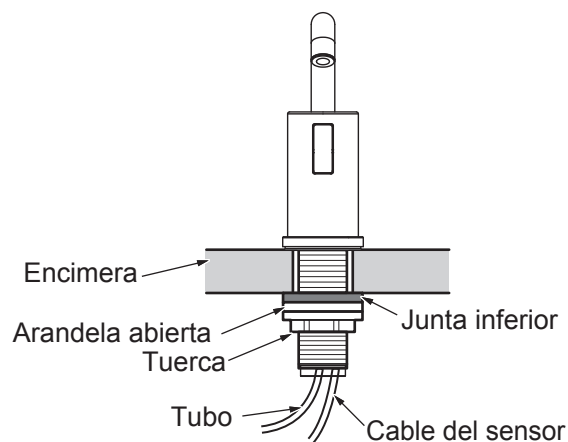


2. Instale el dispensador en la encimera.

3. Instale la junta inferior, la arandela abierta y la tuerca en ese orden.



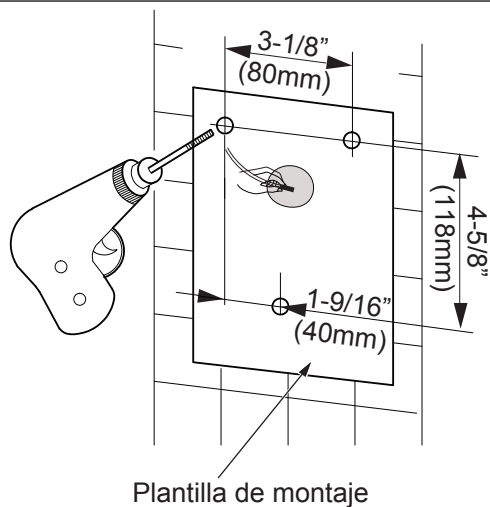
4. Confirme la alineación del dispensador y apriete la tuerca.



PROCEDIMIENTO DE INSTALACIÓN: controlador

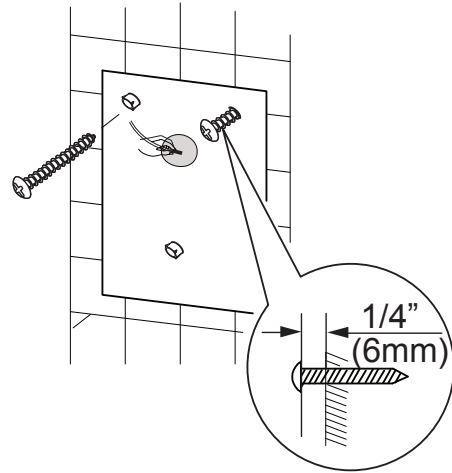
1. Seleccione la posición del controlador y la plantilla de montaje del diseño. Asegúrese de que el cable del sensor y el tubo del jabón puedan llegar a la plantilla de montaje.
2. Marque la ubicación de los orificios de montaje.
3. Perfore 3 orificios.
Profundidad de los orificios: $\leq 1"$ (25mm)
Tamaño: $7/64"$ (3 mm) sin anclaje
 $1/4"$ (7 mm) con el ancla

Importante: Plantilla de montaje para nivelar.

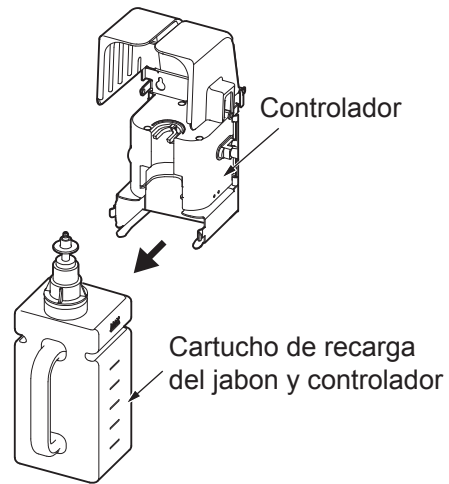


4. Inserte tornillos autorroscantes en los dos orificios superiores hasta que haya un espacio de 1/4" (6 mm) entre la cabeza del tornillo y la pared.

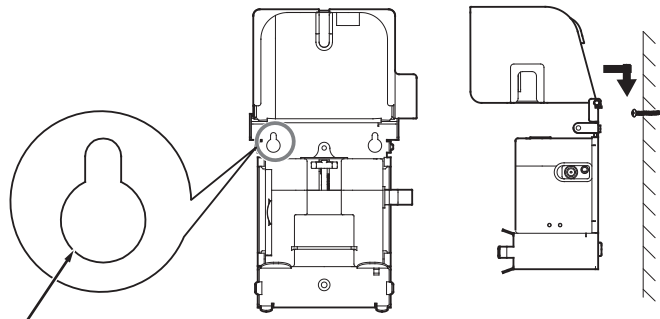
Utilice anclajes si es necesario.



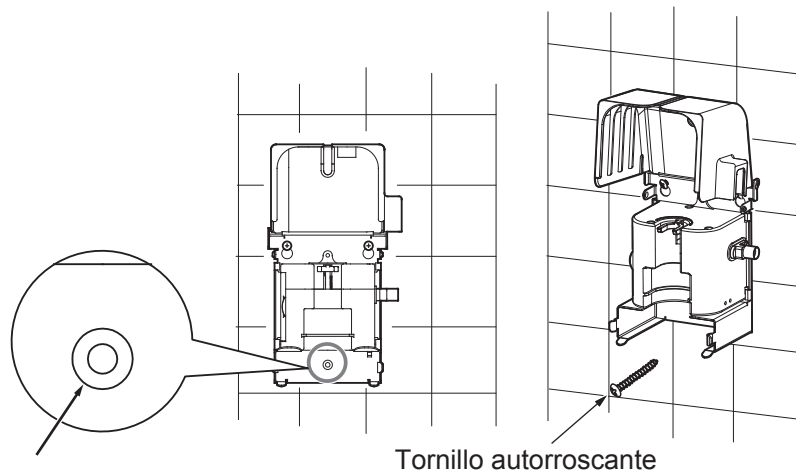
5. Retire el cartucho del controlador.



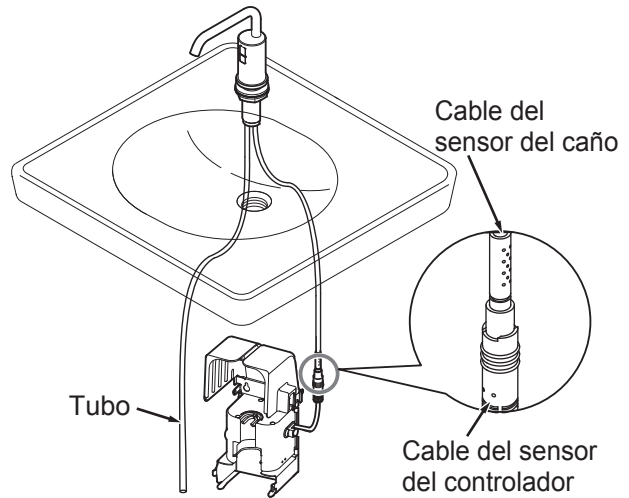
6. Cuelgue el controlador en los dos tornillos.



7. Inserte un tornillo autorroscante a través del orificio inferior del controlador y apriete.

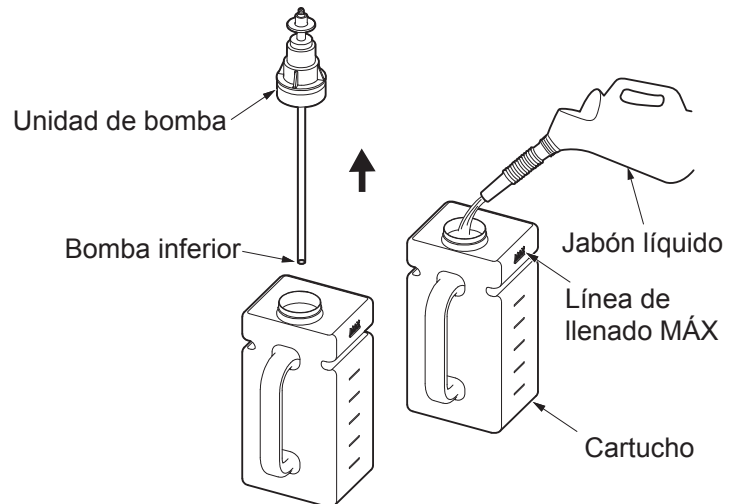


8. Conecte los cables del sensor.



PROCEDIMIENTO DE INSTALACIÓN: Cartucho

1. Retire la unidad de bomba del cartucho.
2. Vierta lentamente el jabón líquido en el cartucho.

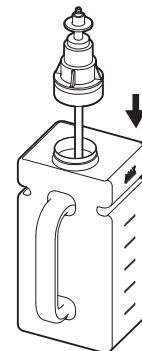


NOTA: Mantenga la unidad de bomba limpia durante el llenado del jabón, especialmente manteniendo el extremo inferior de la unidad de bomba sin tocar el piso.

NOTA: Llene el tanque hasta la línea MÁX.

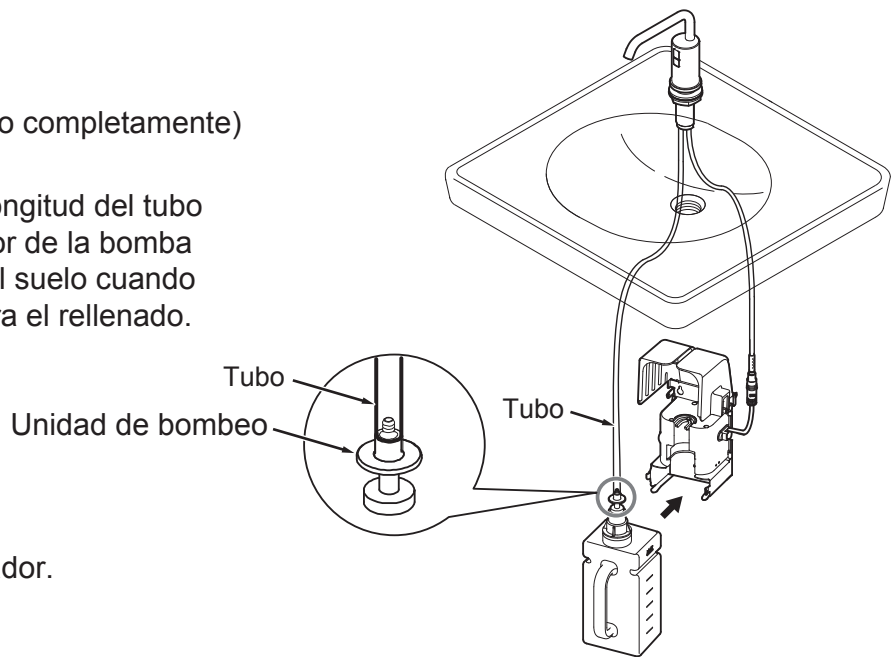
NOTA: Use únicamente el jabón líquido aprobado por TOTO.

3. Reemplace la bomba empujándola hacia abajo firmemente sobre la apertura del cartucho hasta que se coloque en su lugar.



4. Conecte el tubo al cartucho.
(Inserte la lengüeta en el tubo completamente)

NOTA: Asegurarse de que la longitud del tubo evita que la parte inferior de la bomba entre en contacto con el suelo cuando se retira el cartucho para el relleno.

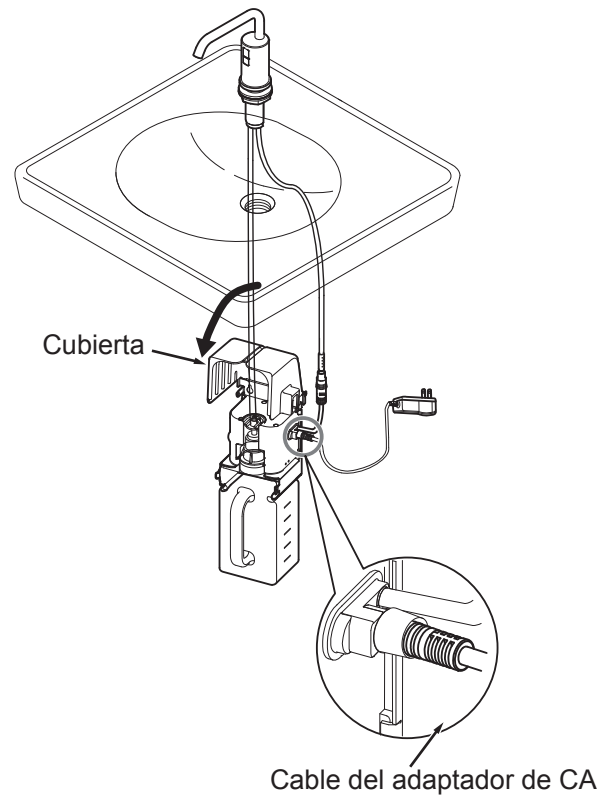


5. Monte el cartucho al controlador.

PROCEDIMIENTO DE INSTALACIÓN: conexión a la fuente de alimentación

[Tipo CA]

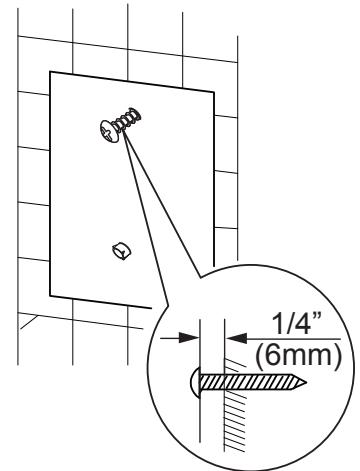
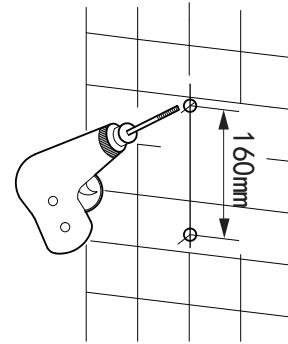
1. Conecte el cable del adaptador de CA al controlador.
2. Enchufe el adaptador de CA a un tomacorriente (adecuado).
3. Cierre la cubierta.



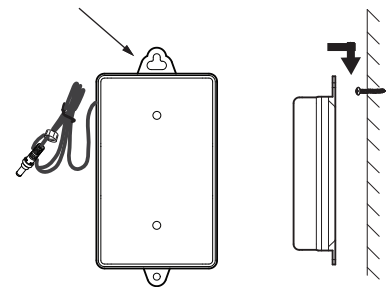
PROCEDIMIENTO DE INSTALACIÓN: caja de la batería

[Tipo CC]

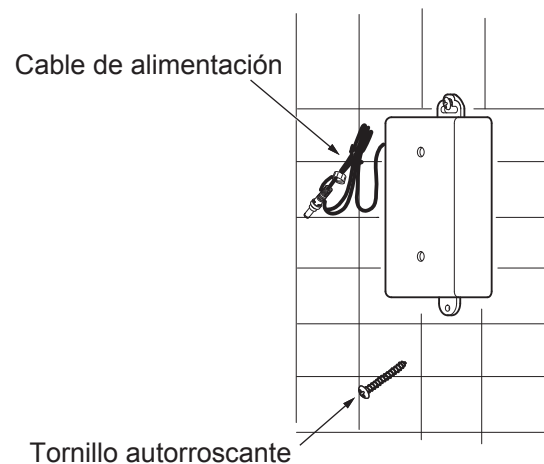
1. Seleccione una posición para la caja de la batería.
Asegúrese de que el cable de alimentación pueda alcanzar el controlador.
2. Marque la ubicación de los orificios de montaje.
3. Perfore 2 orificios. Profundidad de los orificios: $\leq 1"$ (25 mm)
Tamaño: $7/64"$ (3 mm) sin anclaje
 $1/4"$ (7 mm) con el ancla
4. Inserte el tornillo autorroscante en el orificio superior hasta que haya un espacio de $1/4"$ (6 mm) entre la cabeza del tornillo y la pared.
Utilice anclajes si es necesario.



5. Cuelgue la caja de la batería en el tornillo.



6. Inserte un autorroscante a través del orificio inferior de la caja y apriete.
7. Conecte el cable de alimentación al controlador.

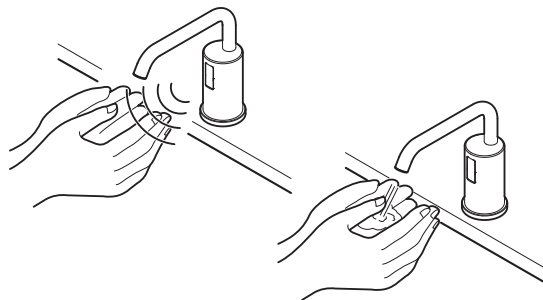


PRUEBAS

Después de que termine la instalación, confirme que el dispensador está funcionando correctamente con el siguiente método.

1. Coloque sus manos debajo del dispensador y manténgalas en el lugar hasta que se vierta el jabón.

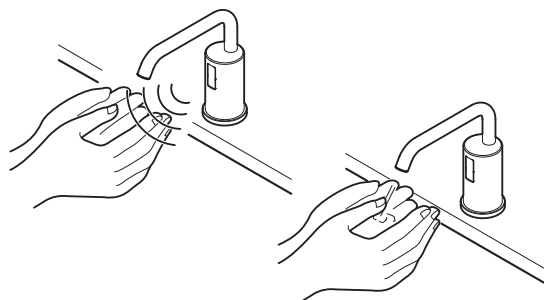
NOTA: Asegúrese de que no haya fuga de jabón proveniente de los tubos y las conexiones.



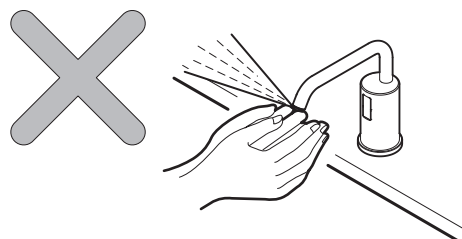
CÓMO UTILIZAR ESTE PRODUCTO

Coloque las manos debajo del dispensador.

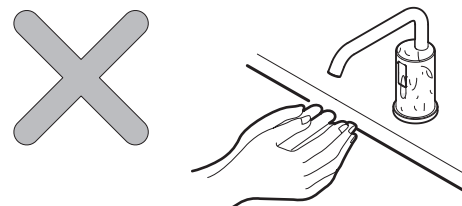
- Se dispensa automáticamente la cantidad adecuada de jabón.



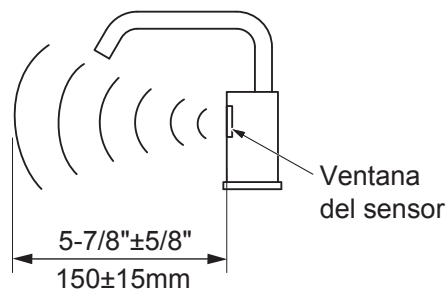
Precaución: No obstruya la apertura del dispensador. El jabón puede salir en una dirección inesperada.



Precaución: No coloque el jabón líquido en el dispensador. Si el sensor se ensucia, podría funcionar incorrectamente.



El rango de detección del sensor es 5-7/8"±5/8"(150 mm ± 15 mm).



CÓMO RELLENAR EL JABÓN

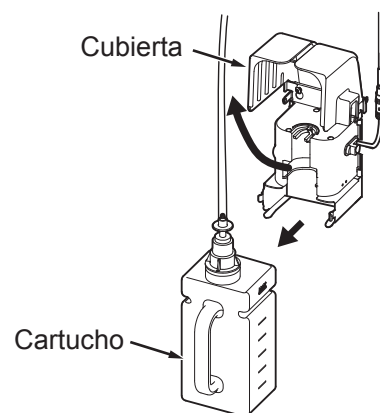
El dispensador de jabón mantiene un registro del uso de jabón al dispensar jabón.

Se activa un indicador luminoso LED verde intermitente para indicar bajo nivel de jabón.

Una interrupción de corriente (tipo AC) o cambio de pilas (tipo DC) interrumpe el registro del jabón y podría evitar que el LED verde deje de parpadear.

Para asegurar la precisión de jabón, siempre agregue jabón a la línea MAX del cartucho una vez que se restablezca el suministro eléctrico.

1. Abra la cubierta.
2. Retire el cartucho del controlador.



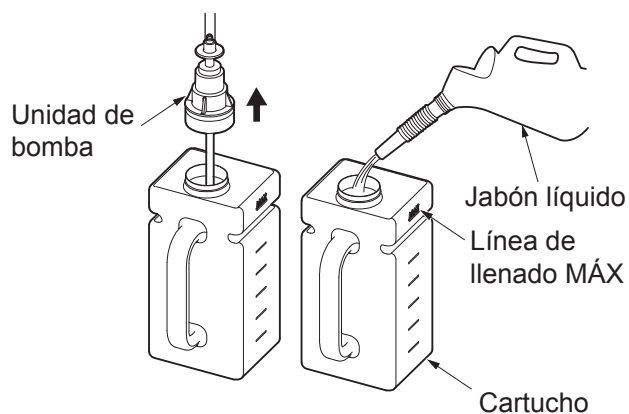
3. Retire la unidad de bomba del cartucho.

4. Vierta lentamente el jabón líquido en el cartucho.

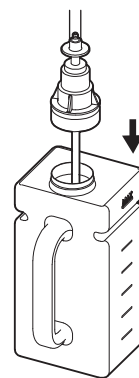
NOTA: Limpie el contenedor antes de rellenar.

NOTA: Llene el cartucho hasta la línea MÁX.

NOTA: Use únicamente el jabón líquido aprobado por TOTO.



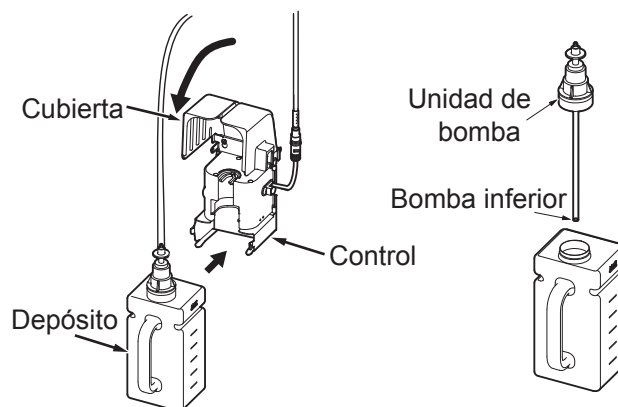
5. Reemplace la bomba empujándola hacia abajo firmemente sobre la apertura del cartucho hasta que se coloque en su lugar.



6. Monte el cartucho al controlador.

7. Cierre la cubierta.

8. Purgue la línea manteniendo las manos debajo de la llave de jabón hasta que salga jabón. El dispensador puede ser accionado hasta diez veces consecutivas mientras se mantienen las manos debajo de la llave de jabón después de rellenada la parte inferior de la bomba.



SUSTITUIR LA BATERÍA [Tipo CC]

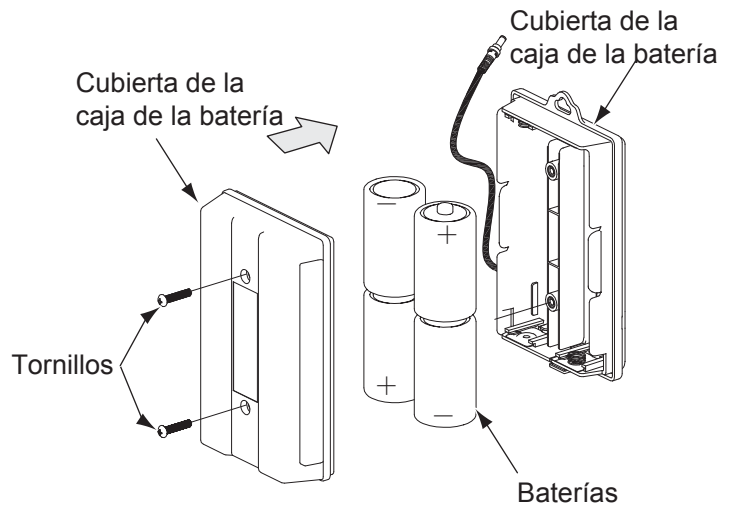
1. Retire la cubierta de la caja de la batería.

2. Instale 4 baterías alcalinas (D 1,5 V).

NOTA: Asegúrese de que las baterías estén instaladas en la orientación correcta (polaridad).

3. Reemplace la cubierta de la caja de la batería.

4. Apriete los tornillos.



CUIDADO Y LIMPIEZA

- **Para una limpieza ligera**

Limpie cualquier residuo adherido al dispensador o sensor.

- **Para una limpieza profunda**

Limpie los residuos con un paño húmedo que contenga una cantidad adecuada de detergente lavavajillas, neutro. Luego limpie con un paño húmedo.

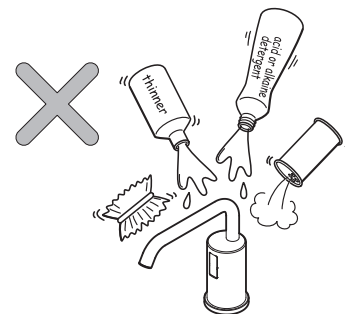
- Cuando limpie alrededor del sensor.

Tenga cuidado de no rayar la superficie de la ventana del sensor.

- No utilice detergente que pueda dañar la superficie del dispensador.

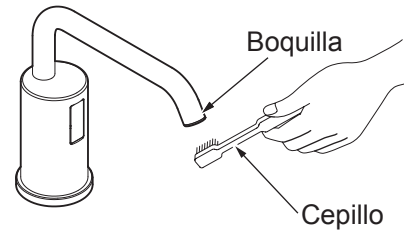
Estos incluyen:

- Detergentes que contengan ácido, blanqueador de cloro o álcali.
- Detergentes de gránulos gruesos por naturaleza, como el polvo para pulido.
- Disolventes como diluyentes de pintura o benceno.
- Utensilios abrasivos como estropajos/cepillos de nylon, lana de acero, etc.



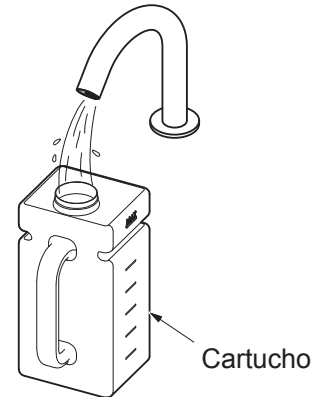
● **Para la limpieza de la boquilla**

Limpie la boquilla con un cepillo suave para eliminar cualquier tipo de suciedad de la pantalla.



● **Para la limpieza del cartucho**

Lave el cartucho con agua para mantenerlo limpio.



● **Para la limpieza de la unidad de bomba**

Si se bloquea la bomba o se produce reflujos, lave la unidad de bomba con agua mientras la sostiene boca abajo y aprieta manualmente la bomba varias veces.



MANTENIMIENTO PERIÓDICO

● **Una vez al mes:**

1. Revise todas las conexiones de los tubos para detectar cualquier signo de fuga.
2. Limpie el polvo en el adaptador de CA [sólo tipo CA].

● **Dos veces al año:**

1. Revise todas las conexiones fijas y apriete según sea necesario.

SUSPENSIÓN DE LARGO PLAZO DE USO

Si va a haber largos períodos de tiempo en los que no se utilizará el dispensador, remueva todo el jabón del dispensador mediante el método siguiente.

1. Remueva el jabón del tanque y lave el tanque con agua.
2. Llène el tanque de agua e instálelo como lo hace usualmente.
3. Descargue la línea con agua activando el dispensador hasta que deje de salir jabón de la llave. Rellene el dispensador con más agua si es necesario.
4. Descarte el agua restante del tanque y déjelo secar.
5. Vuelva a poner el tanque en el controlador.
6. Desconecte la fuente de energía hasta que se resume el uso.

SOLUCIÓN DE PROBLEMAS

Problema	Funcionamiento	Causa	Solución
No sale jabón.	LED verde intermitente	El jabón es bajo	Llene el tanque con jabón líquido.
	LED rojo intermitente	La batería es baja	Reemplace las baterías.
	LED verde sólido encendido	Se está colocando la bomba	Limpie la unidad de bomba.
		La viscosidad del jabón es alta	Cambie al jabón líquido aprobado por TOTO.
	-	La ventana del sensor está sucia	Limpie la ventana del sensor.
	-	El cable del sensor está desconectado	Conecte el cable.
	-	Hay una obstrucción delante de la ventana del sensor	Elimine la obstrucción.
	-	La fuente de alimentación (el adaptador de CA o la caja de la batería) está desconectada	Conecte el cable.
-	El tubo está desconectado	Conecte el tubo.	
No deja de correr jabón	-	La ventana del sensor está sucia	Limpie la ventana del sensor.
	-	Hay una obstrucción delante de la ventana del sensor	Elimine la obstrucción.
El jabón sale inesperadamente	-	La ventana del sensor está sucia	Limpie la ventana del sensor.
	-	No se dispersará el sensor después de 48 horas sin uso para evitar que se atasque	-
La cantidad de jabón dispensado es pequeña	-	La bomba no funciona correctamente	Limpie la unidad de bomba.

ESPECIFICACIONES

Tipo	TES100AA	TES100DA
Alimentación	AC AC 100~240V Para uso con fuente de alimentación certificada Clase 2 o fuente de alimentación limitada	DC 4 baterías alcalinas (D 1,5 V)
Rango de detección del sensor	5-7/8"±5/8"(150mm±15mm)	
Temperatura ambiente	32~104°F (1~40°C)	
Humedad	Max. 90% RH	
Volumen del jabón	0.03-0.04 oz (0.8-1.2ml)	
Capacidad del tanque	50 oz (1500ml)	

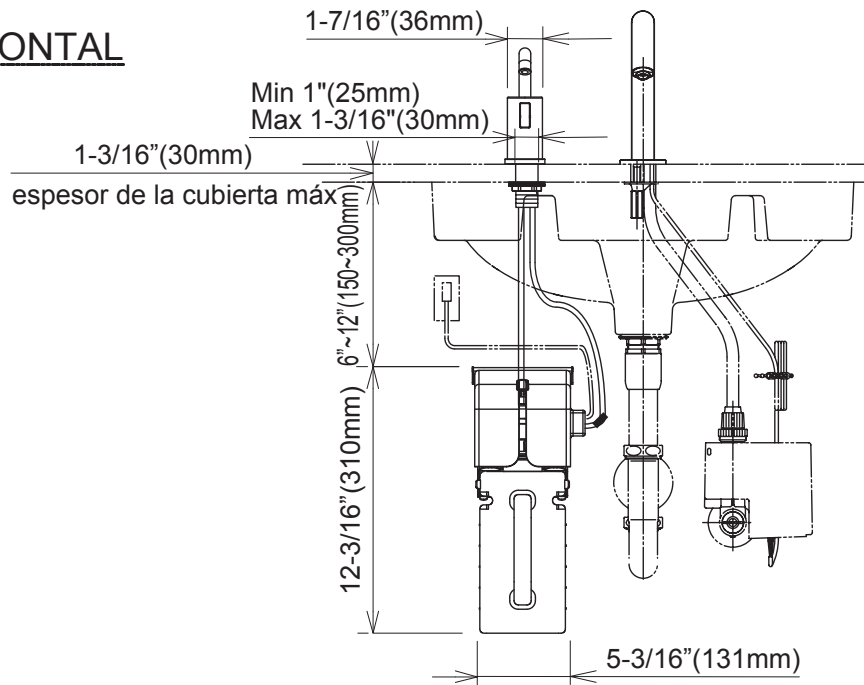
GARANTÍA

1. TOTO® garantiza que sus válvulas de descarga electrónica, grifos y dispensadores de jabón ("Producto") están libres de defectos en los materiales y mano de obra durante el uso normal cuando se instala y se mantiene de manera adecuada, por un período de tres (3) años a partir de la fecha de adquisición. Esta garantía limitada se extiende solamente al COMPRADOR ORIGINAL del Producto y no es transferible a terceros, incluyendo pero no taxativamente cualquier comprador o propietario subsecuente del Producto. Esta garantía se aplica solamente al producto TOTO adquirido e instalado en América del Norte, Central y Sur.
2. Las obligaciones de TOTO conforme a esta garantía se limitan a la reparación, reemplazo u otro ajuste apropiado, a discreción de TOTO, del Producto o las piezas que resulten defectuosas en su uso normal, siempre que dicho Producto fuera instalado, utilizado y mantenido adecuadamente en consonancia a las instrucciones. TOTO se reserva el derecho de realizar tantas inspecciones como sean necesarias para determinar la causa del defecto. TOTO no cobrará por la mano de obra o piezas con respecto a las reparaciones o reemplazos de la garantía. TOTO no es responsable del costo de la retirada, devolución o reinstalación del Producto.
3. Esta garantía no se aplica a los siguientes puntos:
 - a. Daños o pérdidas resultantes de una calamidad natural como incendio, terremoto, inundación, truenos, tormenta eléctrica, etc.
 - b. Daños o pérdidas resultantes de cualquier accidente, uso irrazonable, uso indebido, abuso, negligencia, o cuidado inadecuado, limpieza o mantenimiento del Producto.
 - c. Daños o pérdidas resultantes de los sedimentos o cuerpos extraños en un sistema de jabón líquido.
 - d. Daños o pérdidas resultantes de una instalación incorrecta o de la instalación del Producto en un ambiente áspero o peligroso, o retirada, reparación o modificación inadecuada del Producto.
 - e. Daños o pérdidas resultantes de sobrecargas eléctricas o rayos u otros actos que no sean responsabilidad de TOTO o que el Producto no es especificado para tolerar.
 - f. Daños o pérdidas resultantes del desgaste normal y habitual, como pérdida de brillo, rayado o desvanecimiento con el tiempo debido al uso, prácticas de limpieza, condiciones atmosféricas o agua, incluyendo pero no taxativamente, el uso de lejía, alcalinos, limpiadores ácidos, limpiadores secos (polvo) o limpiadores abrasivos o el uso de depuradores de metal o nylon.
4. Para que esta garantía limitada sea válida, se requiere el comprobante de compra. Se requiere que TOTO exija el registro de garantía en la compra para crear un registro de propiedad del Producto en <http://www.se>. TOTO exige el registro de la garantía y si no se registra no se reducirán sus derechos de garantía limitada.
5. ESTA GARANTÍA LE OTORGA DERECHOS LEGALES ESPECÍFICOS. PUEDE TENER OTROS DERECHOS QUE VARÍAN ENTRE ESTADOS, PROVINCIAS O PAÍSES.
6. A fin de obtener el servicio de reparación de la garantía en virtud de esta garantía, deberá llevar el producto o entregarlo prepago a un servicio técnico de TOTO junto con el comprobante de compra (recibo de venta original) y una carta que indique el problema, o póngase en contacto con un distribuidor o contratista de servicio de productos de TOTO o bien escriba directamente a TOTO U.S.A., INC., 1155 Southern Road, Morrow, GA 30260 (888) 295 8134 o (678) 466-1300, si no se encuentra en los Estados Unidos. Si, debido al tamaño del Producto o a la naturaleza del defecto, el Producto no se puede devolver a TOTO, el recibo de TOTO del aviso por escrito del defecto junto con el comprobante de compra (recibo de venta original) constituirá la entrega. En tal caso, TOTO puede optar por reparar el Producto en el lugar del comprador o pagar para transportar el Producto a un servicio técnico.

ESTA GARANTÍA POR ESCRITO ES LA ÚNICA GARANTÍA REALIZADA POR TOTO. LA REPARACIÓN, REEMPLAZO U OTRO AJUSTE ADECUADO, TAL COMO APARECE EN ESTA GARANTÍA SERÁ EL ÚNICO RECURSO DISPONIBLE PARA EL COMPRADOR ORIGINAL. TOTO NO SERÁ RESPONSABLE DE LA PÉRDIDA DEL PRODUCTO O DE OTROS DAÑOS INCIDENTALES, ESPECIALES O CONSECUENCIALES O GASTOS INCURRIDOS POR EL COMPRADOR ORIGINAL, O DE LA MANO DE OBRA U OTROS COSTOS RELACIONADOS CON LA INSTALACIÓN O RETIRADA, O COSTOS DE REPARACIONES REALIZADOS POR OTROS O DE NINGÚN OTRO GASTO QUE NO SE HUBIERA ESPECIFICADO ANTERIORMENTE. EN NINGÚN CASO LA RESPONSABILIDAD DE TOTO EXCEDERÁ EL PRECIO DE COMPRA DEL PRODUCTO. SALVO DISPOSICIÓN LEGAL CONTRARIA, TODA GARANTÍA IMPLÍCITA, QUE INCLUYE LA DE COMERCIABILIDAD O IDONEIDAD PARA USO O PARA UN PROPÓSITO PARTICULAR, ESTÁ EXPRESAMENTE PROHIBIDA. ALGUNOS ESTADOS NO PERMITEN LIMITACIONES SOBRE LA DURACIÓN DE UNA GARANTÍA IMPLÍCITA, O LA EXCLUSIÓN O LIMITACIÓN DE DAÑOS INCIDENTALES O CONSECUENTES, POR ESO LA LIMITACIÓN Y EXCLUSIÓN ANTERIORES PUEDEN NO APLICARSE EN ESTE CASO.

MEDIDAS DE MONTAJE

VISTA FRONTAL



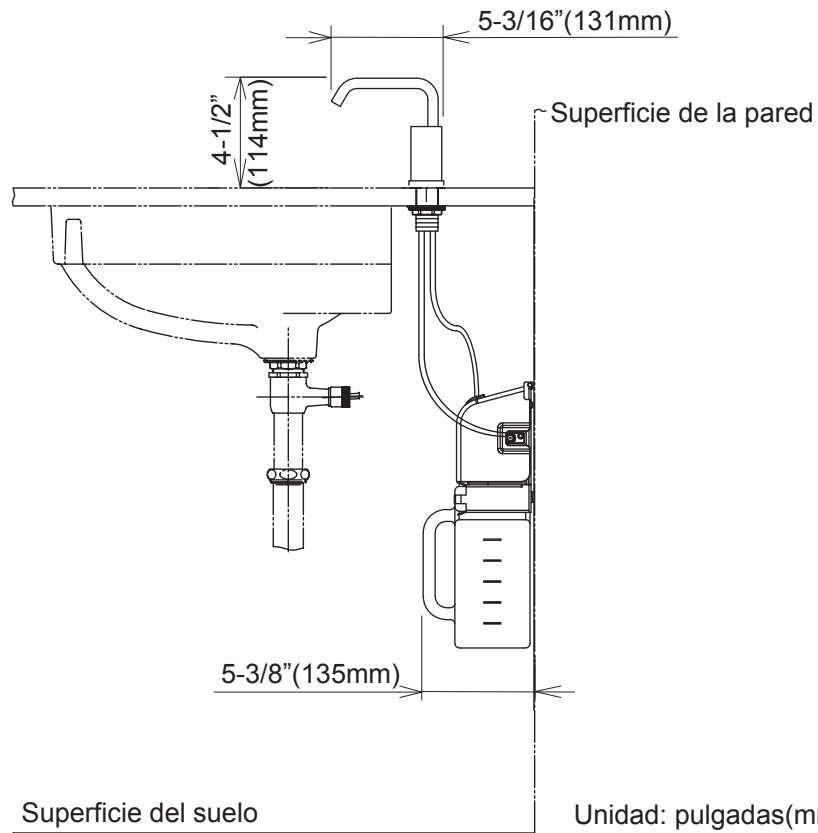
Longitud del tubo: 17-3/4" (450mm)

Longitud del cable del sensor: 19-3/4" (500mm)

Largo del cable de alimentación: 59" (1500 mm)

Superficie del suelo

VISTA LATERAL



Unidad: pulgadas(mm)

ÍNDICE REMISSIVO

Obrigado por escolher TOTO!	47
Advertências	47
Antes da instalação	47
Peças incluídas	48
Ferramentas comuns necessárias	48
Instalação de dispensador e tanque	49
Procedimento de instalação	50-54
Teste	55
Como usar este produto	55
Reabastecendo o sabão	56
Substituindo a bateria [Tipo CC]	57
Cuidados e limpeza	57
Manutenção periódica	58
No caso do desligamento por um tempo longo	58
Resolução de problemas	59
Especificações técnicas	59
Garantia	60
Dimensões aproximadas	61

OBRIGADO POR ESCOLHER A TOTO!

A missão da TOTO é fornecer ao mundo estilos de vida saudáveis, higiênicos e mais confortáveis. Nós projetamos cada produto com o equilíbrio entre forma e função como um princípio orientador. Parabéns por sua escolha.

ADVERTÊNCIAS

Favor ler e seguir as seguintes observações. Não fazer isso pode resultar em danos pessoais e / ou materiais.

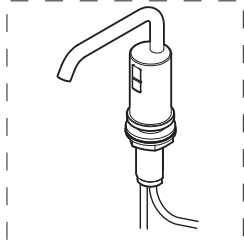
- Nenhuma pessoa que não seja autorizada pela TOTO do Brasil deve desmontar, consertar ou modificar este produto. A não observância desta instrução pode resultar em coque elétrico ou mau funcionamento do produto.
- Não use este produto em locais úmidos, onde a condensação pode coletar na superfície, especialmente em uma sauna ou sala de vapor.
- Não bata nem chute o dispensador ou caixa de controle, pois isso pode danificar o aparelho ou causar vazamentos.
- Não use este produto em um local onde a temperatura pode ser menor que 0 graus Celsius.
- Certifique-se que o cabo de energia não está em contato com o flexível ou ramal de água quente.
- Evite colocar objetos dentro do alcance de detecção do sensor infravermelho.
- Utilize apenas sabonete líquido aprovado pela TOTO.
- Certifique-se que a tomada está instalada em um local que evite que ela seja molhada durante o uso do produto ou no caso de vazamentos.

ANTES DA INSTALAÇÃO

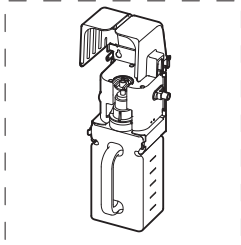
- Leia atentamente estas instruções para garantir uma instalação adequada.
- TOTO reserva o direito de atualizar a concepção dos produtos sem aviso prévio.
- Certifique-se de que você tem as peças indicadas na página seguinte.

PEÇAS INCLUÍDAS

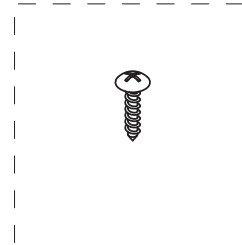
Conjunto bica e sensor



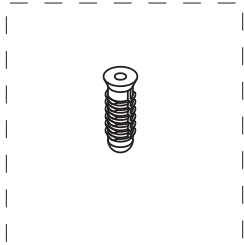
Controlador



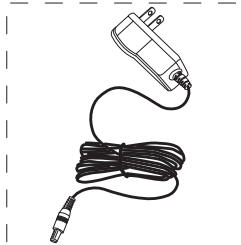
Parafuso Auto-atarrachante (3X)



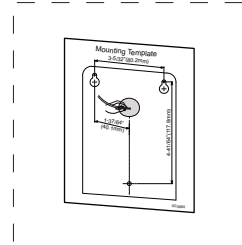
Buchas de fixação (3X)



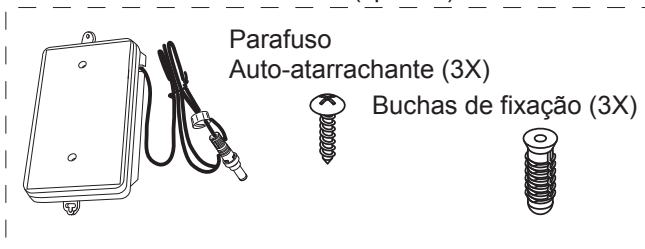
Adaptador CA (Tipo CA)



Gabarito de Instalação



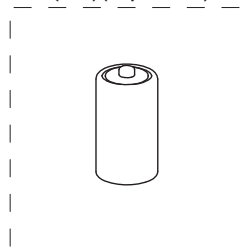
Caixa de bateria (tipo CC)



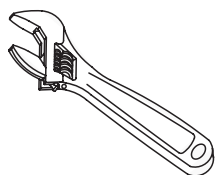
Parafuso Auto-atarrachante (3X)

Buchas de fixação (3X)

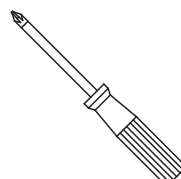
Bateria alcalina (D 1,5V)
(4X)(Tipo DC)



FERRAMENTAS COMUNS NECESSÁRIAS



Chave de boca ajustável

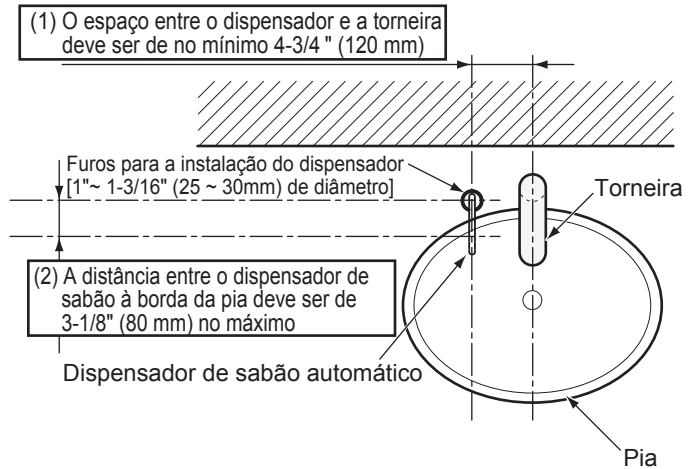


Chave Phillips

INSTALAÇÃO DO DISPENSADOR E TANQUE

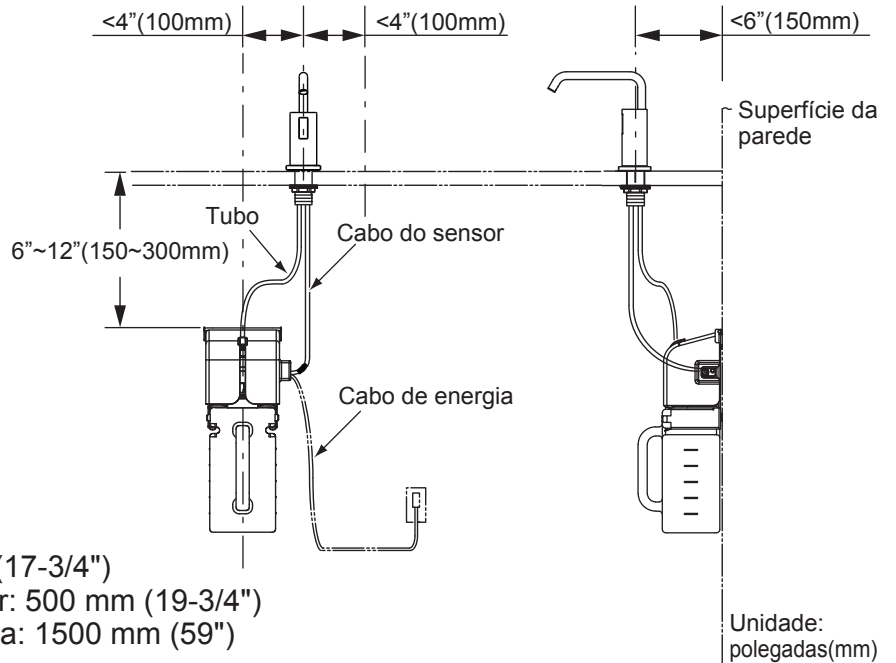
Posição do dispensador

1. Certifique-se de deixar pelo menos 4-3/4" (120 mm) de espaço entre o dispensador de sabão e a torneira para evitar a acionamento accidental.
2. Deixe 3-1/8" (80 mm) de espaço da borda interna da pia aos furos de instalação do bico para garantir que qualquer sabão residual pinga do bico dispensador para dentro da pia.



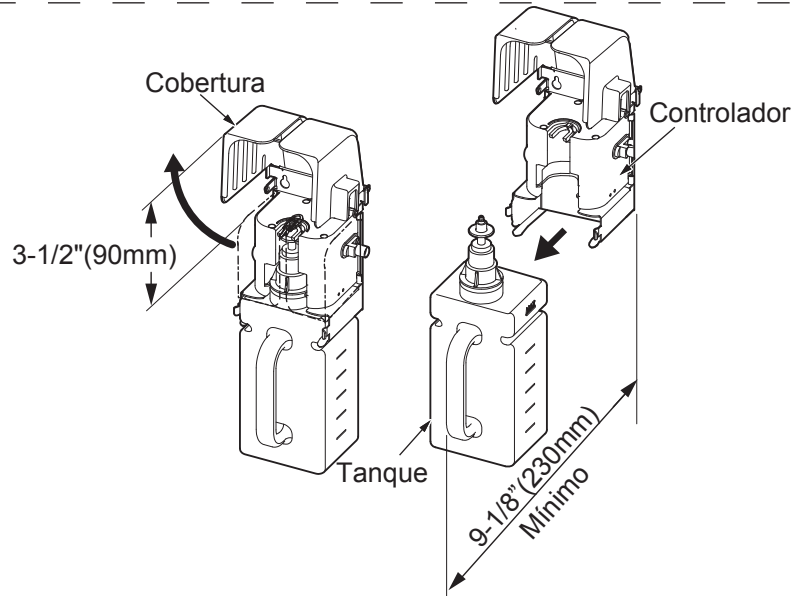
Posição do tanque

1. Ao instalar o controlador, certifique-se de que o tubo e os cabos podem chegar ao tanque.
2. Se o tubo for muito longo, por favor, corte-o ao comprimento adequado.



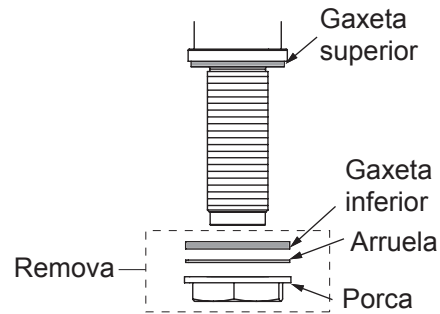
Comprimento do Tubo: 450 mm (17-3/4")
 Comprimento do Cabo do Sensor: 500 mm (19-3/4")
 Comprimento do Cabo de Energia: 1500 mm (59")

3. Verifique se há espaço adequado para reabastecer/substituir o tanque de sabão.



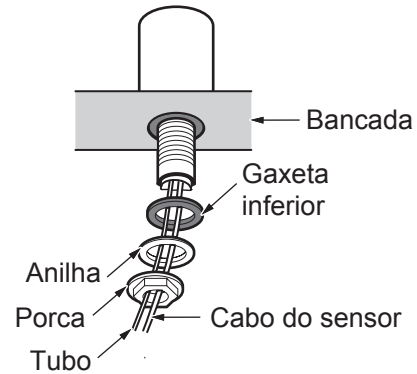
PROCEDIMENTO DE INSTALAÇÃO – Bica

1. Remova a porca, a arruela e a gaxeta inferior.

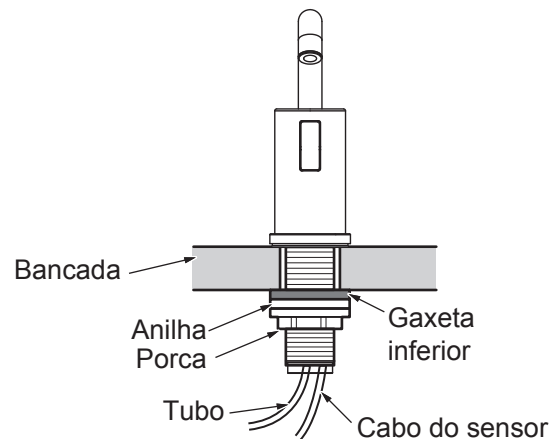


2. Instale a bica na bancada.

3. Instale a gaxeta inferior, arruela e porca, nessa ordem.



4. Certifique-se que a bica está alinhada e aperte a porca.



PROCEDIMENTO DE INSTALAÇÃO - Controlador

1. Selecione a posição do controlador e layout do modelo de montagem. Verifique se o cabo de sensor e o tubo de sabão conseguem alcançar o modelo de montagem.

2. Marque a posição dos furos de montagem.

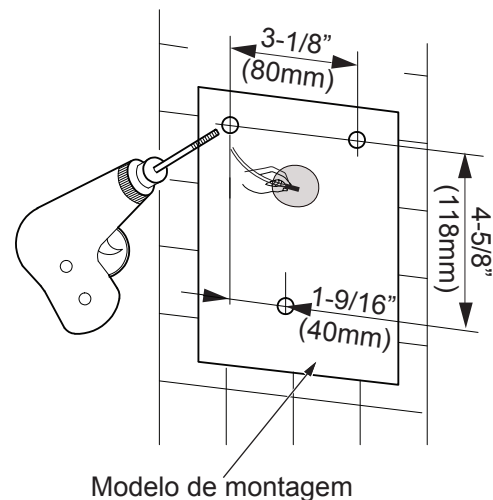
3. Perfure três buracos.

Profundidade dos buracos: $\leq 1"$ (25 mm)

Tamanho: $7/64"$ (3mm) sem a bucha

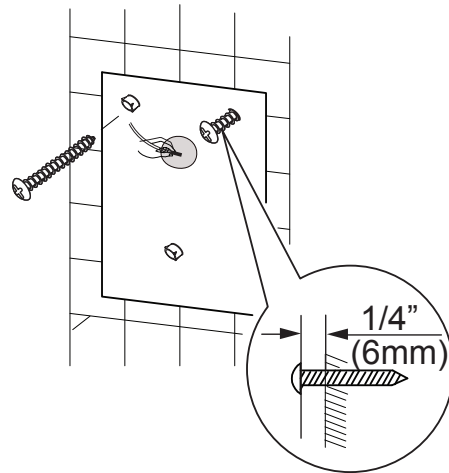
$1/4"$ (7mm) com a bucha

Importante: O modelo de montagem deve ser nivelado.

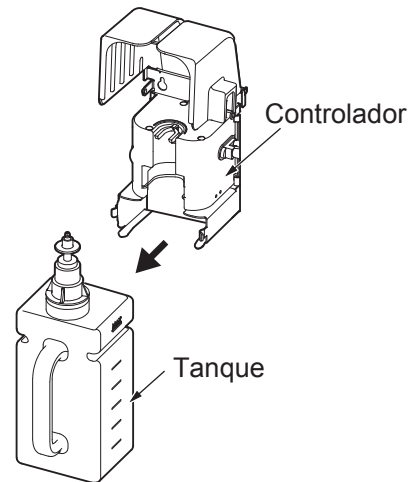


4. Insira os parafusos auto-atarrachantes nos dois buracos superiores até que haja um intervalo de 1/4" (6 mm) entre a cabeça do parafuso e a parede.

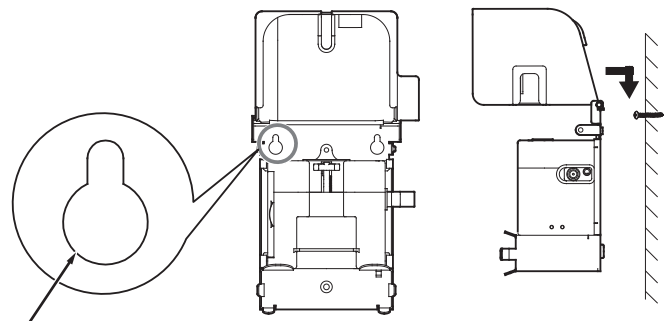
Utilize as buchas de fixação, caso seja necessário.



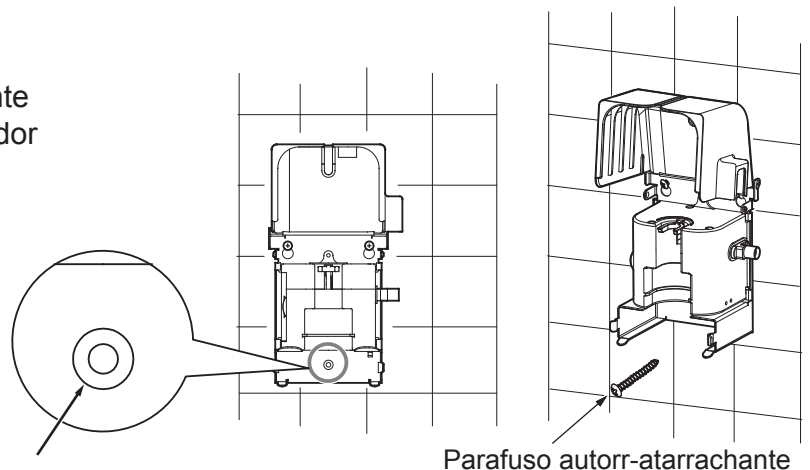
5. Retire o tanque do controlador.



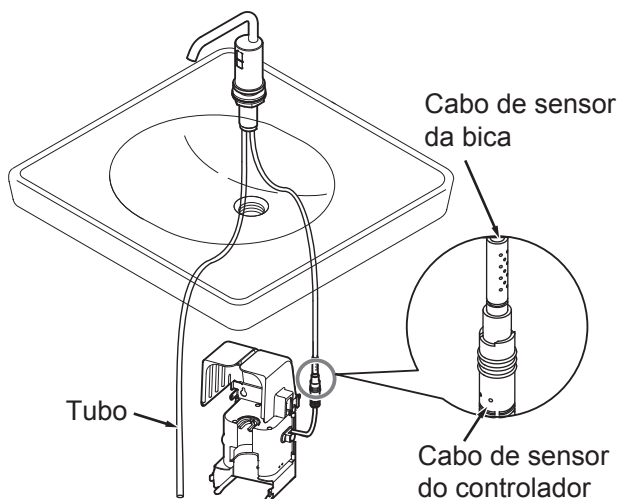
6. Pendure o controlador sobre os dois parafusos.



7. Insira um parafuso auto atarrachante através do furo inferior do controlador e aperte-o.



8. Conecte os cabos de sensor.

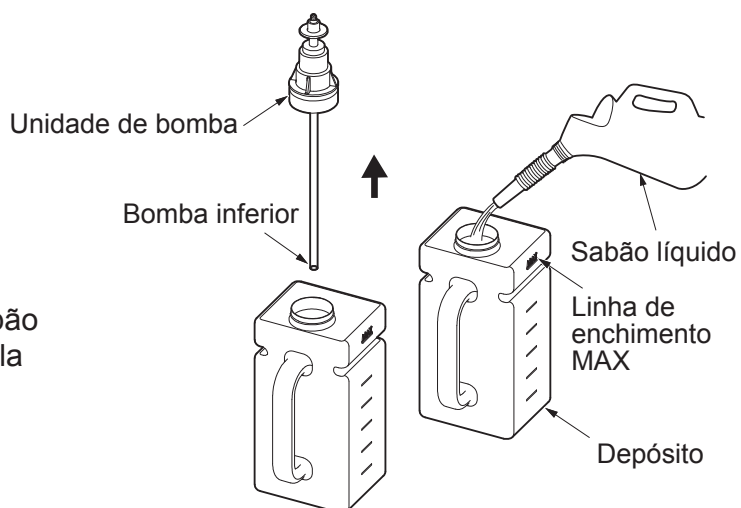


PROCEDIMENTO DE INSTALAÇÃO - Tanque

1. Retire a unidade de bomba do tanque.

2. Despeje lentamente o sabão líquido no tanque.

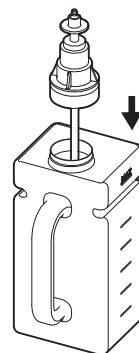
OBSERVAÇÃO: Mantenha a bomba de sabão limpa e certifique-se que ela não encoste no chão.



OBSERVAÇÃO: Encha o tanque até à linha MAX.

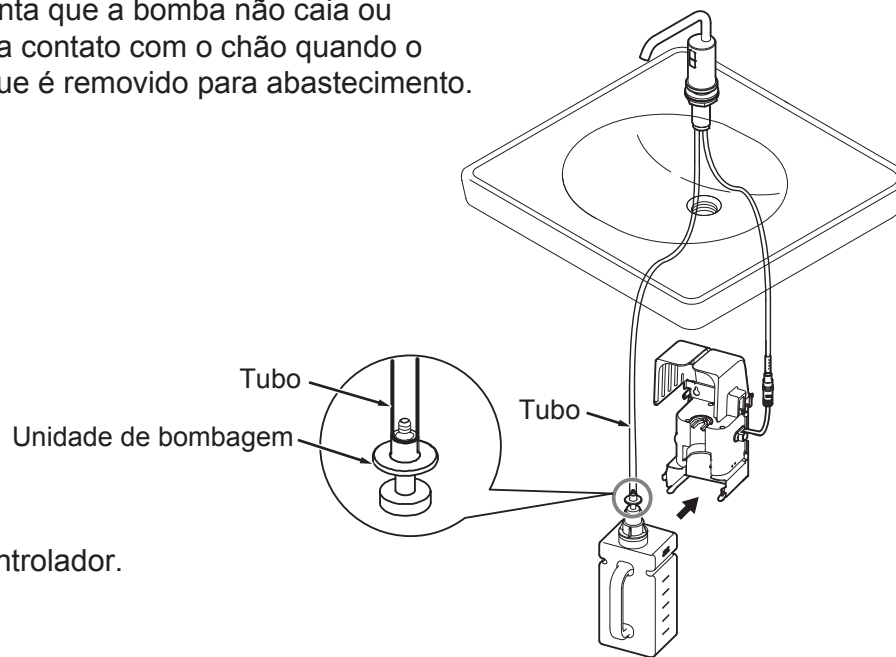
OBSERVAÇÃO: Use apenas sabonete líquido aprovado pela TOTO.

3. Substitua a bomba empurrando-a para baixo com firmeza sobre a abertura do tanque até que ela se encaixe no lugar.



4. Conecte o tubo ao tanque.
(Insira a ponta no tubo completamente)

OBSERVAÇÃO: Corte o tubo em um comprimento que garanta que a bomba não caia ou tenha contato com o chão quando o tanque é removido para abastecimento.

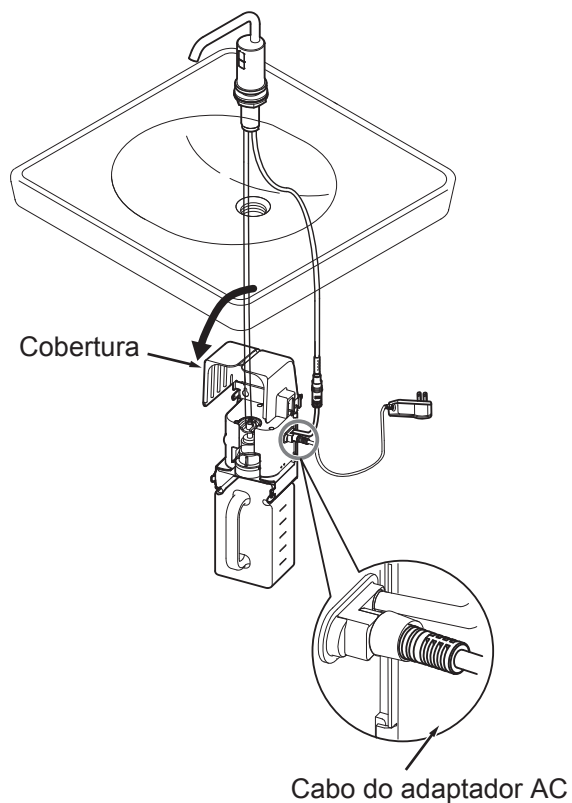


5. Monte o tanque no controlador.

PROCEDIMENTO DE INSTALAÇÃO - Conexão à fonte de alimentação

[Tipo CA]

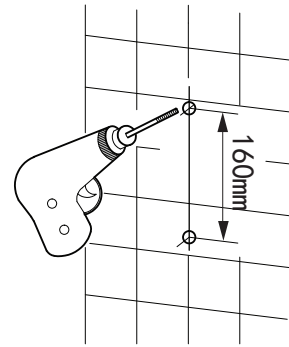
1. Conecte o cabo do adaptador AC ao controlador.
2. Ligue o adaptador CA à uma tomada (o caso).
3. Feche a cobertura.



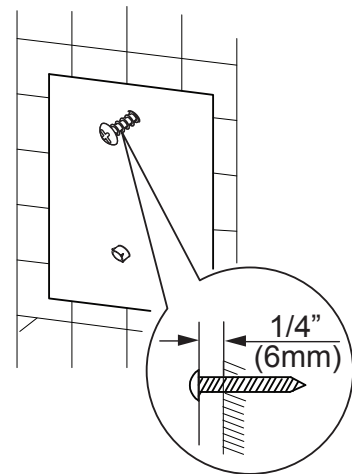
PROCEDIMENTO DE INSTALAÇÃO - Caixa de bateria

[Tipo CC]

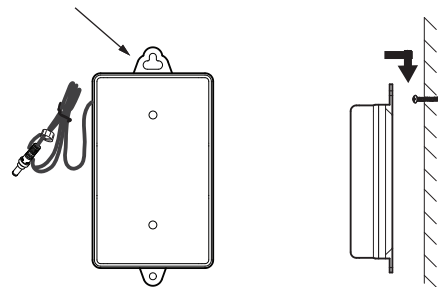
1. **Selecione** uma posição para a caixa da bateria.
Verifique se o cabo de alimentação é capaz de **atingir** o controlador.
2. **Marque** a posição dos furos de montagem.
3. **Fure** 2 buracos. Profundidade : 1"(25mm)
Tamanho : 7/64" (3mm) com as buchas
A 1/4" (7mm) sem as buchas



4. **Insira** o parafuso auto atarrachante no furo **superior** até que haja um espaço de 1/4" (6 mm) **entre** a cabeça do parafuso e a parede.
Utilize as buchas de fixação, caso necessário.

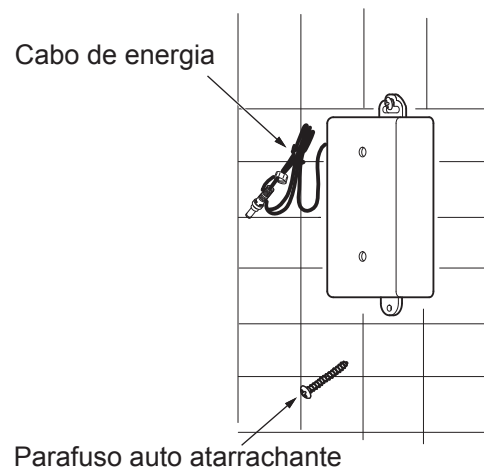


5. **Pendure** a caixa da bateria no parafuso.



6. **Insira** um autorrosqueador através do **buraco** da caixa e aperte.

7. **Conecte** o cabo de alimentação ao controlador.

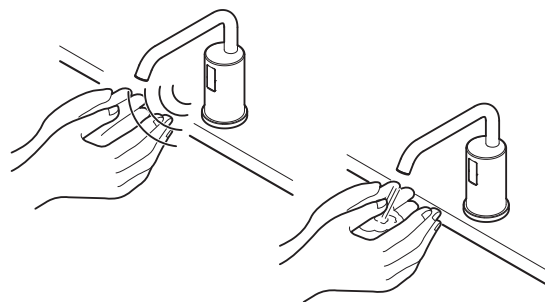


TESTE

Após instalação ter sido concluída, confirme que o distribuidor está funcionando corretamente usando o método a seguir.

1. Coloque as mãos sob o bico dispensador.
2. Mantenha-as ali até que o sabão seja dispensado.

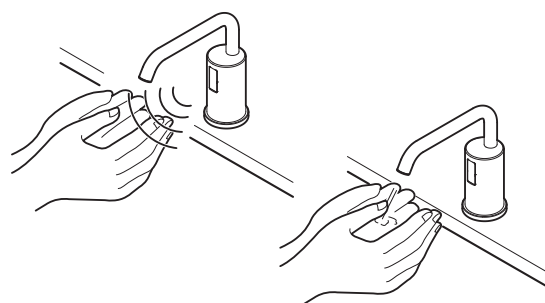
OBSERVAÇÃO: Certifique-se de que não há vazamento de sabão do tubo e das conexões.



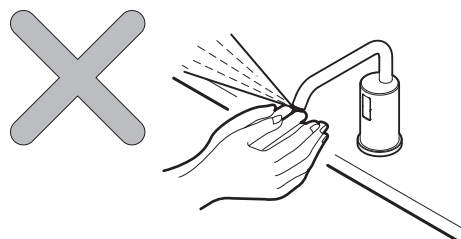
COMO USAR ESTE PRODUTO

Coloque as mãos sob o bico do dispensador.

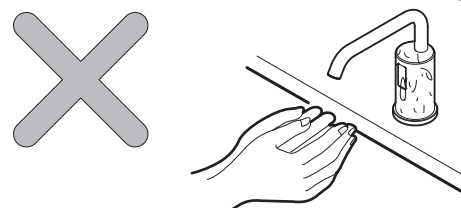
- A quantidade adequada de sabão será dispensada automaticamente.



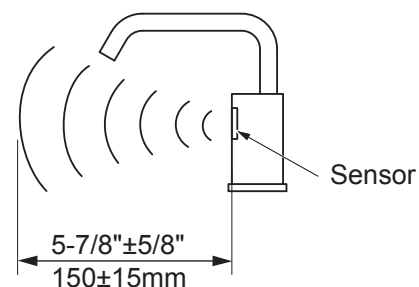
Cuidado: Por favor não obstrua a abertura do bico dispensador. O sabão pode voar à direção inesperada.



Cuidado: Por favor não coloque sabonete líquido no dispensador. Se o sensor ficar sujo, ele pode falhar.



O alcance de detecção do sensor é de 5-7/8"±5/8" (150 mm ± 15 mm).



REABASTECENDO O SABÃO

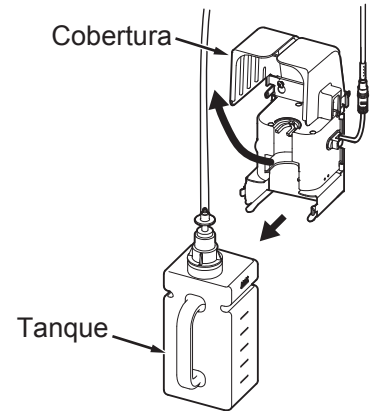
O dispensador de sabão mede o uso de sabão contando o número de acionamentos.

Ele possui um LED verde que irá acender para avisar que o nível de sabão está baixo.

Quedas de energia elétrica (produtos tipo AC) ou trocas de bateria (produtos tipo DC) interrompem a contagem de usos e podem evitar que o LED indicador funcione corretamente.

Para garantir a precisão da contagem, sempre reabasteça o tanque até a linha MAX após trocar a energia voltar ou quando as baterias forem trocadas.

1. Abra a cobertura.
2. Remova o tanque do controlador.



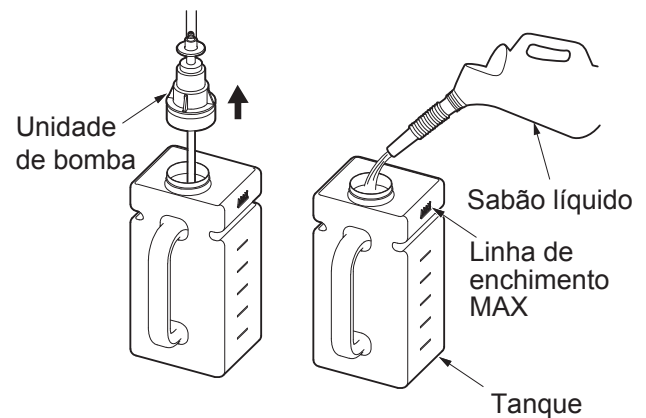
3. Retire a unidade de bomba do tanque.

4. Despeje lentamente o sabão líquido no tanque.

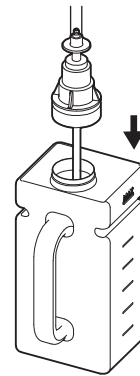
OBSERVAÇÃO: Limpe o reservatório antes de abastecê-lo.

OBSERVAÇÃO: Encha o tanque até à linha MAX.

OBSERVAÇÃO: Use apenas sabonete líquido aprovado pela TOTO.



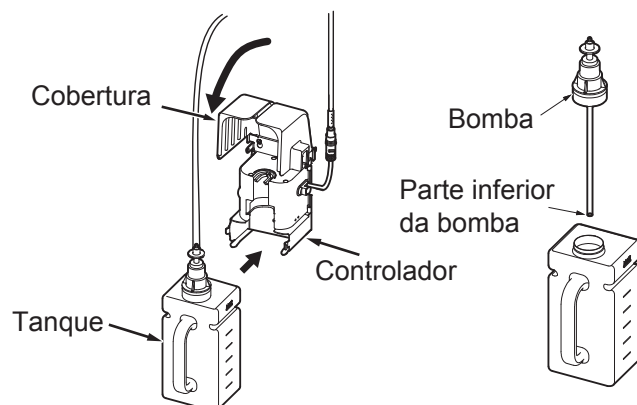
5. Instale a bomba novamente, empurrando-a para baixo com firmeza sobre a abertura do tanque até que ela se encaixe no lugar.



6. Monte o tanque no controlador.

7. Feche a cobertura.

8. Limpe o tubo de ligação deixando as mãos no sensor até que o sabão seja liberado.
O dispensador pode ser acionado até 10 vezes consecutivas enquanto o usuário estiver com as mãos debaixo da bica.

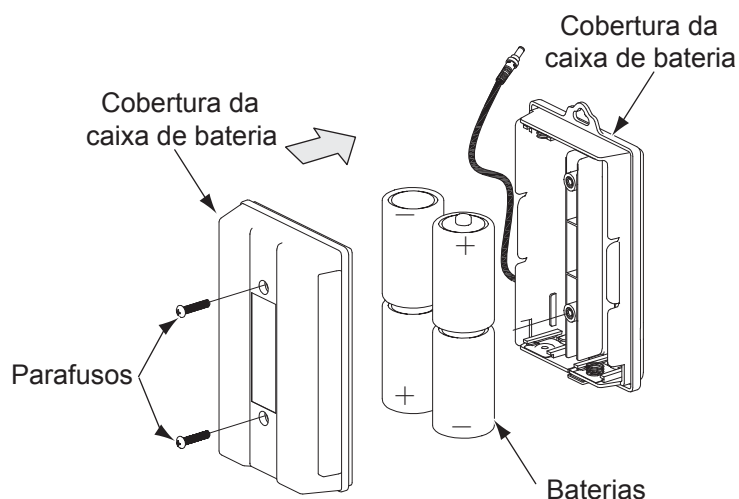


SUBSTITUINDO A BATERIA [Tipo CC]

1. Remova a cobertura da caixa da bateria.
2. Instale 4 baterias alcalinas (D 1,5V).

OBSERVAÇÃO: Verifique se as baterias foram instaladas na orientação correta (polaridade).

3. Recoloque a tampa da caixa de bateria.
4. Aperte os parafusos.



CUIDADOS E LIMPEZA

- **Para uma limpeza leve**

Limpe quaisquer detritos aderidos ao dispensador ou sensor.

- **Para serviços pesados de limpeza**

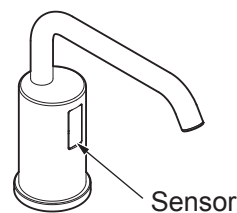
Limpe os resíduos com um pano úmido, contendo uma quantidade adequada de detergente neutro.

Em seguida, limpe com um pano úmido.



- **Ao limpar ao redor do sensor.**

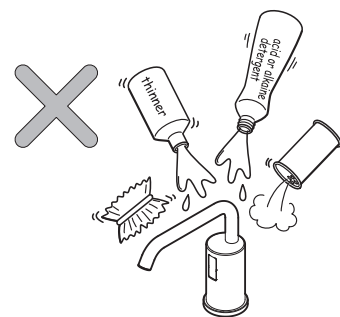
Tenha cuidado para não arranhar a superfície do sensor.



- **Não use detergente que possa ferir a superfície do dispensador.**

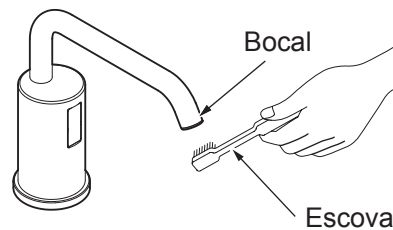
Esses incluem:

- Detergentes que contenham ácido, água sanitária ou substâncias alcalinas.
- Detergentes que são grânulos ásperos na natureza, tais como pó de polimento.
- Solventes como tiner de tinta ou benzina.
- Abrasivo tais como depuradores/escovas de náilon, palha de aço, etc.



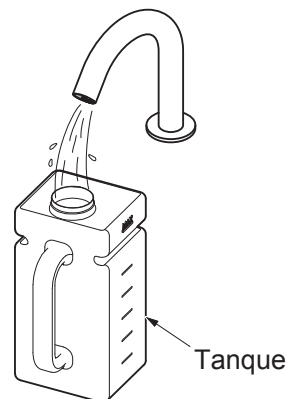
- **Para limpeza dos bocais**

Limpe o bocal com uma escova macia para remover qualquer sujeira da tela.



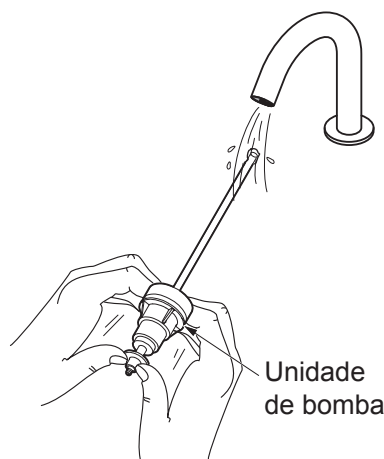
- **Para a limpeza do tanque**

Lave o tanque com água para mantê-lo limpo.



- **Para de limpeza da unidade de bomba**

Se a bomba grudar ou um refluxo ocorrer, lave a bomba com água, mantendo a unidade de cabeça para baixo e aperte manualmente a bomba várias vezes.



MANUTENÇÃO PERIÓDICA

- **Uma vez por mês:**

1. Verifique todas as conexões de tubos para detectar quaisquer sinais de vazamento.
2. Limpe a poeira do adaptador CA [tipo CA somente].

- **Duas vezes por ano:**

1. Verifique todas as conexões fixas e aperte conforme a necessidade.

NO CASO DO DESLIGAMENTO POR UM TEMPO LONGO

Se houver períodos extensos onde o produto não será utilizado, remova todo sabão do dispensador e do reservatório utilizando o método a seguir:

1. Remova o sabão do reservatório lavando-o com água.
2. Encha o reservatório com água e monte o produto normalmente.
3. Acione o produto utilizando-o normalmente, até que pare de sair sabão pela bica do produto. Abasteça o reservatório com água novamente caso for necessário.
4. Descarte a água presente no reservatório e deixe-o secar.
5. Encaixe o reservatório de volta no controlador.
6. Tire o produto da tomada até que ele seja utilizado novamente.

RESOLUÇÃO DE PROBLEMAS

Problema	Operacional	Causa	Solução
Nenhum sabão sai	LED verde pisca	Pouco sabão	Encha o tanque com água e sabonete líquido.
	LED vermelho pisca	A bateria está fraca	Substitua as baterias.
	LED verde fica sólida	A bomba está colando	Limpe a unidade da bomba.
		A viscosidade do sabão é muito alta	Mude para sabonete líquido aprovado pela TOTO.
	-	O sensor está sujo	Limpe o sensor
	-	Cabo do sensor está desconectado	Conecte o cabo.
	-	Há uma obstrução na frente do sensor	Remova a obstrução.
	-	A fonte de alimentação (adaptador CA ou caixa de bateria) está desconectada	Conecte o cabo.
	-	O tubo está desconectado	Conecte o tubo.
-	O adaptador CA não está inserido	Insira o adaptador CA.	
O sabão não parar de sair	-	O sensor está sujo	Limpe o sensor.
	-	Há uma obstrução na frente do sensor	Remova a obstrução.
O sabão sai inesperadamente	-	O sensor está sujo	Limpe o sensor.
	-	O sensor será dispersado após 48 horas sem uso para evitar o entupimento	-
A quantidade de sabão dispensada é pequena	-	A bomba não está funcionando corretamente	Limpe a unidade da bomba.

ESPECIFICAÇÕES

Tipo	TES100AA	TES100DA
Fonte de Energia	AC AC 100~240V Para uso em fontes de energia Listadas como Classe 2 ou fontes de energia limitadas	DC 4 baterias alcalinas 1,5V tipo D
Faixa de detecção do sensor	5-7/8"±5/8" (150mm±15mm)	
Temperatura ambiente	32~104°F (1~40°C)	
Umidade	Max. 90% RH	
Volume de sabão	0.03-0.04 oz (0.8-1.2ml)	
Capacidade do tanque	50 oz (1500ml)	

GARANTIA

TOTO DO BRASIL DISTRIBUIÇÃO E COMÉRCIO, LTDA.

GARANTIA LIMITADA DE TRÊS ANOS

A garantia se aplica somente às Válvulas de Descarga Eletrônicas, Torneiras e Distribuidores de Sabão.

1. A TOTO garante suas válvulas de descarga eletrônicas, torneiras e dispensadores de sabão ("Produto") contra defeitos de material e de fabricação durante o uso normal quando instalados e submetidos à manutenção adequada, por um período de três (3) anos à partir da data da compra. Esta garantia limitada é estendida apenas ao COMPRADOR ORIGINAL do Produto e não é transferível a terceiros, incluindo, mas não limitado a, qualquer comprador ou proprietário subsequente do Produto. Esta garantia se aplica somente a Produtos da TOTO comprados e instalados no Brasil.
2. As obrigações da TOTO sob esta garantia estão limitadas a reparos, substituições ou outros ajustes apropriados, a critério da TOTO, do Produto ou de peças que apresentem defeitos durante o uso normal, contanto que tal Produto tenha sido instalado, usado e submetido à manutenção adequada de acordo com as instruções. A TOTO se reserva o direito de realizar tais inspeções conforme necessário para determinar a causa do defeito. A TOTO não cobrará pela mão de obra ou por peças relacionadas a reparos ou substituições em garantia. A TOTO não é responsável pelo custo de remoção, devolução e/ou reinstalação do Produto.
3. Esta garantia não se aplica aos seguintes itens:
 - a. Danos ou perdas sofridos em desastres naturais como incêndios, terremotos, enchentes, trovoadas, tempestades elétricas etc.
 - b. Danos ou perdas resultantes de quaisquer acidentes, uso excessivo, uso indevido, abuso, negligência ou de cuidados, limpeza ou manutenção inadequada do Produto.
 - c. Danos ou perdas resultantes de sedimentos ou corpos estranhos contidos em um sistema hidráulico.
 - d. Danos ou perdas resultantes de instalação inadequada ou instalação do Produto em um ambiente severo e/ou de risco, ou de remoção, reparos ou modificações inadequados do Produto, o que inclui o uso de componentes não originais da TOTO.
 - e. Danos ou perdas resultantes de oscilações de energia ou quedas de raios ou outros atos que não sejam de responsabilidade da TOTO ou os quais o Produto não seja especificado para suportar.
 - f. Danos ou perdas resultantes do desgaste normal e habitual, como redução do brilho, arranhões ou desbotamento ao longo do tempo devido ao uso, práticas de limpeza ou água ou condições atmosféricas, incluindo, mas não limitados a, o uso de alvejantes, álcali, limpadores ácidos, limpadores a seco (pó) ou quaisquer outros limpadores abrasivos ou o uso de esponjas de metal ou nylon.

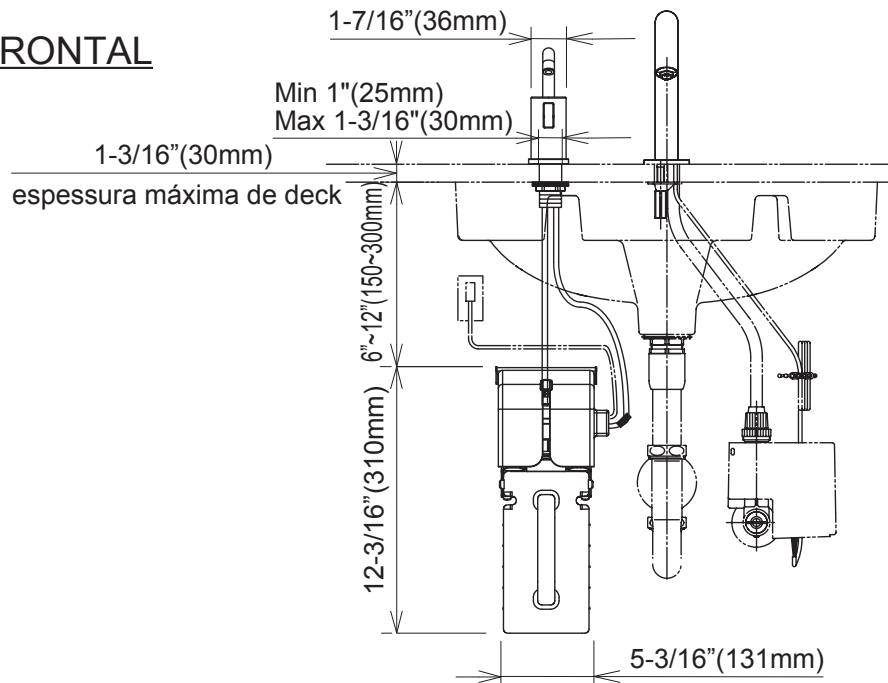
Para obter o serviço de reparos da garantia sob esta garantia, por favor envie um e-mail para suporte@br.toto.com para obter instruções sobre como proceder com sua reivindicação. Você pode ser instruído a (1) levar o Produto ou fazer a entrega pré-paga a um prestador de serviços da TOTO juntamente com o comprovante de compra (recibo de compra original) e uma carta declarando o problema; (2) entrar em contato com um distribuidor ou prestador de serviços de produtos da TOTO; ou (3) se, devido ao tamanho do Produto ou natureza do defeito, o Produto não puder ser devolvido a um centro de assistência autorizado da TOTO, a TOTO pode optar por reparar o Produto no local do comprador ou pagar pelo transporte do Produto para uma prestadora de serviços.

ATENÇÃO! A TOTO não é responsável por qualquer defeito de, ou dano a, esse Produto causado por cloraminas no tratamento do fornecimento público de água ou limpadores contendo cloro (hipoclorito de cálcio). **ATENÇÃO: O uso de alta concentração de cloro ou produtos à base de cloro pode danificar seriamente os acessórios. Esse dano pode causar vazamentos e outros problemas graves.**

ESTA GARANTIA POR ESCRITO É A ÚNICA GARANTIA FEITA PELA TOTO. REPAROS, SUBSTITUIÇÕES OU OUTROS AJUSTES APROPRIADOS CONFORME FORNECIDOS SOB ESTA GARANTIA SERÃO O ÚNICO RECURSO DISPONÍVEL AO COMPRADOR ORIGINAL. A TOTO NÃO SERÁ RESPONSÁVEL PELA PERDA DO PRODUTO OU POR OUTROS DANOS OU GASTOS INCIDENTAIS, ESPECIAIS OU CONSEQUENTES INCORRIDOS PELO COMPRADOR ORIGINAL OU POR CUSTOS DE MÃO DE OBRA OU OUTROS DEVIDO À INSTALAÇÃO OU REMOÇÃO, OU CUSTOS DE REPAROS FEITOS POR TERCEIROS, OU POR QUALQUER OUTRO GASTO NÃO DECLARADO ESPECIFICAMENTE ACIMA. EM NENHUM CASO A RESPONSABILIDADE DA TOTO EXCEDERÁ O PREÇO DE COMPRA DO PRODUTO. EXCETO QUANTO À EXTENSÃO PROIBIDA POR LEI APLICÁVEL, QUAISQUER GARANTIAS IMPLÍCITAS, INCLUINDO A DE COMERCIALIZABILIDADE OU ADEQUAÇÃO PARA USO OU PARA UMA FINALIDADE ESPECÍFICA, SÃO EXPRESSAMENTE ISENTAS. ALGUNS PAÍSES, REGIÕES, ESTADOS ETC. NÃO PERMITEM LIMITAÇÕES SOBRE A DURAÇÃO DE UMA GARANTIA IMPLÍCITA OU A EXCLUSÃO OU LIMITAÇÃO DE DANOS INCIDENTAIS OU CONSEQUENTES, PORTANTO, A LIMITAÇÃO E A EXCLUSÃO ACIMA PODEM NÃO SE APLICAR A VOCÊ.

DIMENSÕES APROXIMADAS

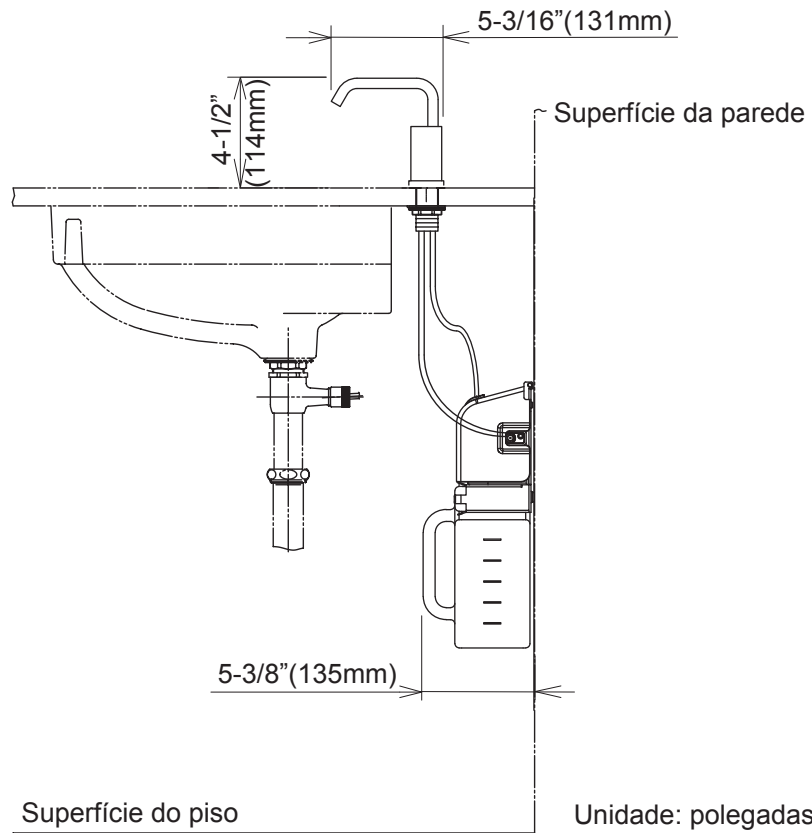
VISTA FRONTAL



Comprimento do Tubo: 450 mm (17-3/4")
 Comprimento do Cabo do Sensor: 500 mm (19-3/4")
 Comprimento do Cabo de Energia: 1500 mm (59")

Superfície do piso

VISTA LATERAL



Unidade: polegadas(mm)

TOTO®

TOTO® U.S.A., Inc. 1155 Southern Road,
Morrow, Georgia 30260
Tel: 888-295-8134 Fax: 800-699-4889
www.totousa.com

0GU3060
Rev C



0G389XN

Warranty Registration and Inquiry

For product warranty registration, TOTO U.S.A. Inc. recommends online warranty registration. Please visit our web site <http://www.totousa.com>. If you have questions regarding warranty policy or coverage, please contact TOTO U.S.A. Inc., Customer Service Department, 1155 Southern Road, Morrow, GA 30260 (888) 295-8134 or (678) 466-1300 when calling from outside of U.S.A.