

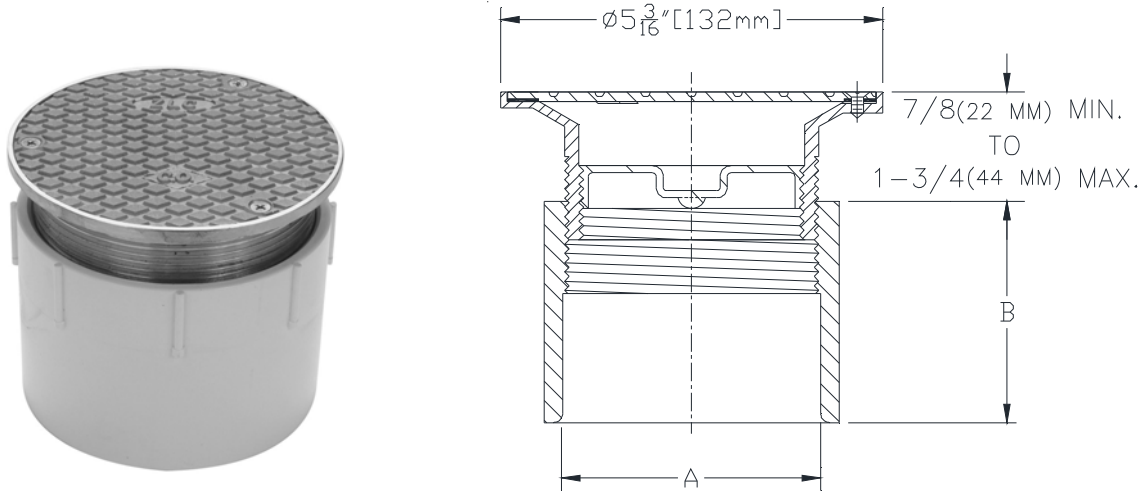


# CO-2450 ADJUSTABLE FLOOR CLEANOUT

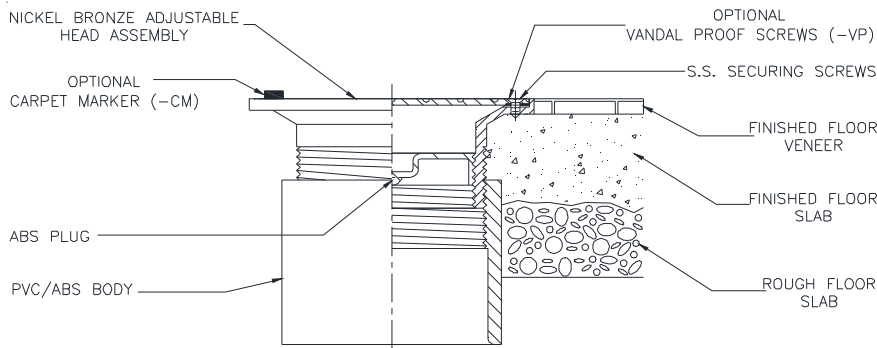
SPECIFICATION SHEET

TAG \_\_\_\_\_

Dimensional Data (inches and [ mm ]) are Subject to Manufacturing Tolerances and Change Without Notice



### Typical Installation



| Product     | Dimensions in In [mm] |             |
|-------------|-----------------------|-------------|
|             | 'A' Connections       | 'B'         |
| CO-2450-PV2 | 2 [51] PVC Hub        | 1-3/4 [44]  |
| CO-2450-PV3 | 3 [76] PVC Hub        | 3 [76]      |
| CO-2450-PV4 | 4 [102] PVC Hub       | 3-7/16 [87] |
| CO-2450-AB2 | 2 [51] ABS Hub        | 1-3/4 [44]  |
| CO-2450-AB3 | 3 [76] ABS Hub        | 3 [76]      |
| CO-2450-AB4 | 4 [102] ABS Hub       | 3-7/16 [87] |

### Engineering Specification: Zurn CO-2450

Adjustable Floor Cleanout, recommended for foot traffic and light-duty applications. This cleanout is furnished with a PVC or ABS body, with an adjustable nickel cover and an ABS taper thread plug.



Applies to PV3, PV4  
AB3 and AB4

**OPTIONS** (Check/specify appropriate options)

#### PRODUCT

- \_\_\_ CO-2450-PV2
- \_\_\_ CO-2450-PV3
- \_\_\_ CO-2450-PV4
- \_\_\_ CO-2450-AB2
- \_\_\_ CO-2450-AB3
- \_\_\_ CO-2450-AB4

#### SUFFIXES

- \_\_\_ -CM Carpet Marker
- \_\_\_ -VP Vandal Proof

\* Regularly furnished unless otherwise specified.

Zurn Industries, LLC | Light Commercial Plumbing Products  
1801 Pittsburgh Avenue, Erie, PA U.S.A. 16502 · Ph. 855-663-9876, Fax 814-454-7929  
In Canada | Zurn Industries Limited  
3544 Nashua Drive, Mississauga, Ontario L4V 1L2 · Ph. 905-405-8272, Fax 905-405-1292  
[www.zurn.com](http://www.zurn.com)

Rev. C  
Date: 12/13/17  
C.N. No. 139307  
Prod. | Dwg. No. CO2450