

INSTALLATION INSTRUCTIONS

Item#P1355-618 (Rev. 01/16/2020)

READ AND SAVE THESE INSTRUCTIONS

WARNING! SHUT POWER OFF AT FUSE OR CIRCUIT BREAKER.
AVERTISSEMENT! COUPER LE COURANT AU NIVEAU DES FUSIBLES OU DU DISJONCTEUR.

HANGING THE FIXTURE (Fig. 1)

1. Shut off the power at the fuse box or circuit breaker. If necessary, remove the old fixture, including the mounting hardware.
2. Carefully remove the fixture from the carton and check that all parts are included as shown in the illustration.
3. Determine the desired hanging height and thread rods (F1, F2 and F3) to threaded nipple (S) of the fixture body (M). Carefully pass the wires through each rod during assembly. Secure swivels (G) onto rods (F1).
4. Slide canopy (H), metal plate (I) followed by lock washer (F) and metal washer (E) over swivels (G) and secure with hex nuts (D) with wrench (J) included.
5. Position the mounting plate (A) on the ceiling and mark the location of the two drywall anchors (K). Pre-drill the holes for the drywall anchors (K). Then insert the drywall anchors (K) into the ceiling.
6. Attach mounting plate (A) to the outlet box using mounting screws (B) (Size: #8-32N*L0.5") and wood screws (O) into drywall anchors (K). The side of the mounting plate marked "GND" must face out.

CONNECTING THE WIRES (Fig. 2)

7. Connect the electrical wires as shown in Fig. 2, making sure that all wire connectors are secured. If your outlet box has a ground wire (green or bare copper), connect the fixture's ground wire to it. Otherwise, connect the fixture's ground wire directly to the mounting plate (A) using the green screw provided. After wires are connected, tuck them carefully inside the junction box.

COMPLETING THE INSTALLATION (Fig. 1)

8. Align canopy (H) over mounting plate (A) and secure with screws (C).
9. Secure rods (N) onto the threaded nipples (P) on the fixture body (M).
10. Install (5) five G9 Xenon bulbs (T) (included) up to 75 watts each, or CFL or LED equivalent, in accordance with the fixture specification. **(DO NOT EXCEED THE MAXIMUM WATTAGE RATING!). (NE PAS DEPASSER LA PUISSANCE NOMINALE MAXIMALE!).**
11. Place the glass shade (Q) over the socket and twist to secure it to the socket cup (L).

Your installation is now complete. Return power to the junction box and test the fixture.

Note: Illustration (Fig. 1) on this manual is for installation purposes only. It may or may not be identical to the fixture purchased.

IMPORTANT: FIXTURE SHOULD BE INSTALLED BY A QUALIFIED ELECTRICIAN TO ENSURE PROPER WIRING AND INSTALLATION.

Fig.1

Set#A-021-270118

-Mounting Plate

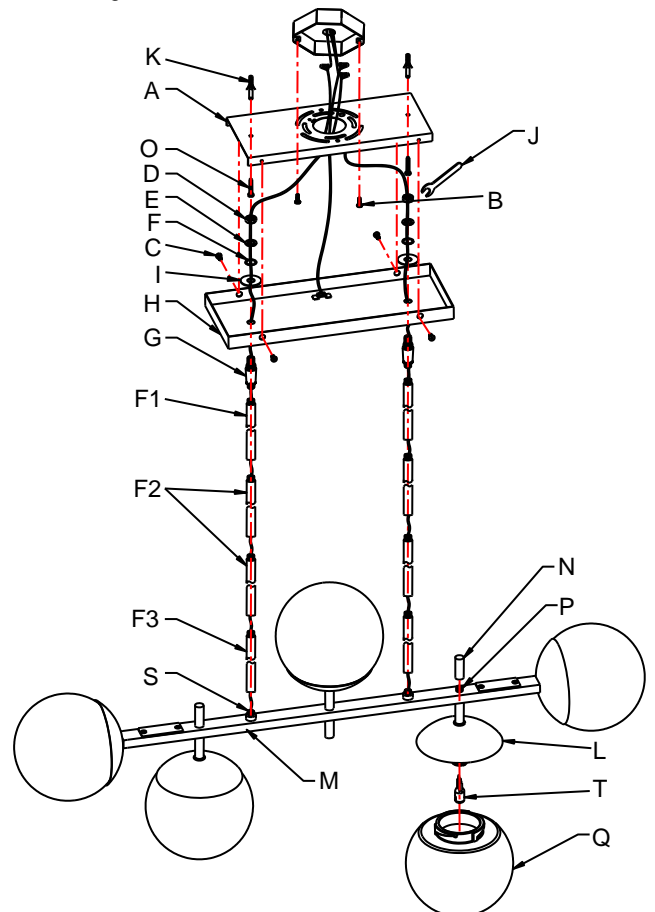
-Ground Screw

-Mounting Screw*2

Rod# W30-1-66*2(F1)

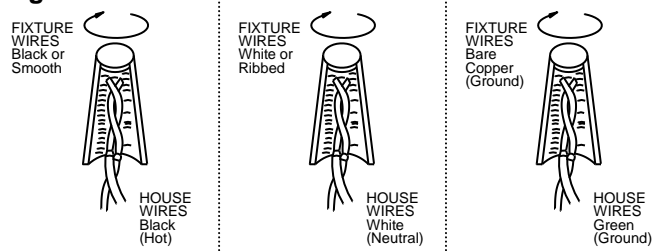
W30-1-66*4(F2)

W30-H-66*2(F3)



Spanner#WRH-Y-89

Fig. 2



LA-2876E