

**STANDARD U-BOLT**

- Figure 283** (Carbon Steel)
- Figure 283PVC** (PVC Coated)
- Figure 283SS** (Stainless Steel)

Our standard U-Bolts are recommended for use as supports or guides for piping. They are supplied with four hex nuts.

The Figure 283PVC is for support of piping where contact with the pipe is not desired. Threads and nuts are not coated.

The Figure 283SS is recommended for support of stainless steel piping. Please specify the grade of stainless steel you require when ordering.

Load Ratings shown are for Carbon Steel. PVC coating should not exceed 140°F / 60°C.

**Materials:** Carbon Steel, Stainless Steel.

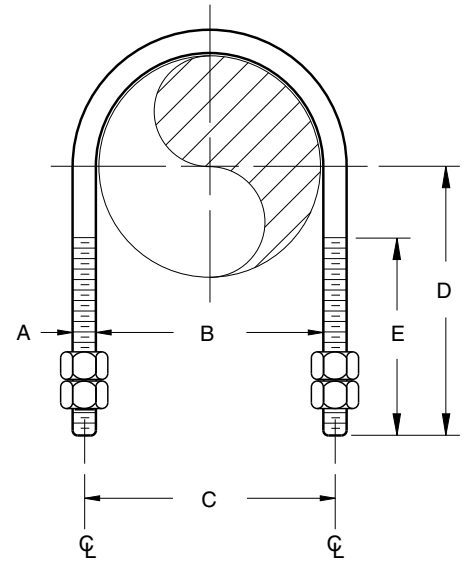
**Compliance:** Federal Specification A-A-1192A Type 24, MSS-SP 69 Type 24, and BSPSS-BS3974.

**Finish:** Plain, Electro-Galvanized, Hot-Dip Galvanized (Rod Size 1/4" cannot be Hot-Dip Galvanized) Hot-Dip Galvanized U-Bolts will come with oversized hex nuts.

Side loads are given for the Figure 283 for a maximum temperature of 650°F / 343°C. When the loading condition requires the simultaneous application of a normal load and side load, the following interaction equation must be used to determine if the Figure 283 can be used.

(Actual Load / Maximum Design Load) + (Actual Side Load / Maximum Side Load) The result of this equation cannot exceed the value of 1.0 if the Figure 283 is to be used.

**Ordering:** Specify pipe size, figure number, and finish. For Metric applications Specify M283.



**FIGURE 283 – STANDARD U-BOLT**

PIPE SIZE	MAXIMUM LOAD		MAX. SIDE LOAD 650° F/ 343°C	A	B	C	D	E	WEIGHT EACH
	650° F 343° C	750° F 399° C							
½	485	435	63	¼	¾	1¼	2¼	2½	0.11
15	2157	1935	280	M6	22	29	70	54	0.05
¾	485	435	63	¼	1½	1¾	2¼	2½	0.12
20	2157	1935	280	M6	29	35	70	54	0.05
1	485	435	63	¼	1¾	1½	2¼	2½	0.12
25	2157	1935	280	M6	35	41	70	54	0.05
½ *	1200	1070	316	¾	¾	1¼	2¼	2½	0.16
15	5338	4760	1406	M10	22	32	70	54	0.07
¾ *	1200	1070	240	¾	1½	1½	2¼	2½	0.16
20	5338	4760	1068	M10	29	38	70	54	0.07
1 *	1200	1070	186	¾	1¾	1¾	2¼	2½	0.19
25	5338	4760	827	M10	35	44	70	54	0.09
1¼	1220	1090	194	¾	1¾	2½	2¾	2½	0.28
32	5427	4849	863	M10	44	54	73	54	0.13
1½	1220	1090	194	¾	2	2¾	3	2½	0.30
40	5427	4849	863	M10	51	60	76	64	0.14
2	1220	1090	194	¾	2½	2¾	3¼	2½	0.33
50	5427	4849	863	M10	64	73	83	64	0.15
2½	2260	2020	184	½	3	3½	3¾	3	0.70
65	10053	8986	819	M12	76	89	95	76	0.32
3	2260	2020	184	½	3½	4½	4	3	0.78
80	10053	8986	819	M12	92	105	102	76	0.35
3½	2260	2020	184	½	4¾	4¾	4½	3	0.84
90	10053	8986	819	M12	105	117	114	76	0.38
4	2260	2020	184	½	4¾	5¾	4½	3	0.90
100	10053	8986	819	M12	117	130	114	76	0.41

\* Made special to customer order.

DIMENSIONS		TEMPERATURE	LOADS	WEIGHT
INCHES	FAHRENHEIT		POUNDS	POUNDS
MILLIMETERS	CELSIUS		NEWTONS	KILOGRAMS

## PIPE ATTACHMENTS

FIGURE 283 – STANDARD U-BOLT (CONT.)

PIPE SIZE	MAXIMUM LOAD		MAX. SIDE LOAD 650° F/ 343° C	A	B	C	D	E	WEIGHT EACH
	650° F 343° C	750° F 399° C							
5	2260	2020	184	½	5%	6%	5	3	1.04
125	10053	8986	819	M12	143	156	127	76	0.47
6	3620	3230	277	¾	6%	7%	6%	3¾	2.0
150	16103	14368	1232	M16	171	187	156	95	0.91
8	3620	3230	277	¾	8¾	9%	7%	3¾	2.3
200	16103	14368	1232	M16	222	238	181	95	1.0
10	5420	4830	400	¾	10%	11%	8%	4	4.9
250	24110	21486	1779	M20	276	295	213	102	2.2
12	7540	6730	422	¾	12%	13¾	9%	4¾	7.7
300	33541	29938	1877	M20	327	349	244	108	3.5
14	7540	6730	422	¾	14%	15	10¾	4¾	8.3
350	33541	29938	1877	M20	359	381	260	108	3.8
16	7540	6730	422	¾	16%	17	11¾	4¾	9.2
400	33541	29938	1877	M20	410	432	286	108	4.2
18	9920	8850		1	18%	19%	12%	4¾	13.5
450	44128	39368		M24	460	486	321	121	6.1
20	9920	8850		1	20%	21%	13%	4¾	14.6
500	44128	39368		M24	511	537	346	121	6.6
24	9920	8850		1	24%	25%	15%	4¾	16.9
600	44128	39368		M24	613	638	397	121	7.7
28	9920	8850		1	28%	29%	17%	4¾	18.0
700	44128	39368		M24	714	740	448	121	8.2
30	9920	8850		1	30%	31%	18%	4¾	19.1
750	44128	39368		M24	765	791	473	121	8.7
36	9920	8850		1	36%	37%	21%	4¾	23.2
900	44128	39368		M24	918	943	549	121	10.5

DIMENSIONS		TEMPERATURE	LOADS	WEIGHT
INCHES	FAHRENHEIT		POUNDS	POUNDS
MILLIMETERS	CELSIUS		NEWTONS	KILOGRAMS

## LIGHT DUTY U-BOLT

**Figure 283L**

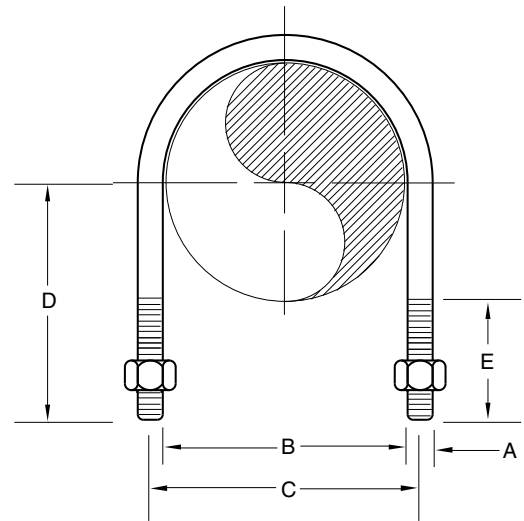
The Figure 283L is recommended for the guiding, anchoring and supporting of conduit or light piping loads. Furnished with two (2) hex nuts.

**Compliance:** Federal Specification A-A-1192A (Type 24), MSS-SP 69 (Type 24), and BSPSS-BS3974.

**Material:** Carbon Steel.

**Finish:** Plain, Electro-Galvanized.

**Ordering:** Specify pipe size, figure number, and finish. For Metric applications specify Figure M283L.



**FIGURE 283L - LIGHT DUTY U-BOLT**

PIPE SIZE	MAXIMUM LOAD	A	B	C	D	E	WEIGHT EACH
½	485	¼	1	1¼	2	1¾	0.06
15	2157	M6	25	32	51	44	0.03
¾	485	¼	1½	1¾	2½	1¾	0.07
20	2157	M6	29	35	54	44	0.03
1	485	¼	1¾	1⅝	2¼	1¾	0.07
25	2157	M6	35	41	57	44	0.03
1¼	485	¼	1¾	2	2¾	1¾	0.08
32	2157	M6	44	51	60	44	0.04
1½	485	¼	2	2¼	2½	1¾	0.09
40	2157	M6	51	57	64	44	0.04
2	485	¼	2½	2¾	2¾	1¾	0.10
50	2157	M6	64	70	70	44	0.05
2½	1220	⅜	3	3¾	3¾	2	0.28
65	5427	M10	76	86	79	51	0.13
3	1220	⅜	3¾	4	3¾	2	0.31
80	5427	M10	92	102	86	51	0.14
3½	1220	⅜	4½	4½	3¾	2	0.35
90	5427	M10	105	114	92	51	0.16
4	1220	⅜	4¾	5	3¾	2	0.38
100	5427	M10	117	127	98	51	0.17
5	1220	⅜	5¾	6	4¾	2¼	0.45
125	5427	M10	143	152	117	57	0.20
6	2260	½	6¾	7¼	5½	2¼	0.95
150	10053	M12	171	184	130	57	0.43
8	2260	½	8¾	9¼	6¾	2¼	1.20
200	10053	M12	222	235	156	57	0.54
10	3620	⅝	10¾	11½	7¼	2½	2.30
250	16103	M16	276	292	184	64	1.04

DIMENSIONS		TEMPERATURE	LOADS	WEIGHT
INCHES	FAHRENHEIT		POUNDS	POUNDS
MILLIMETERS	CELSIUS		NEWTONS	KILOGRAMS