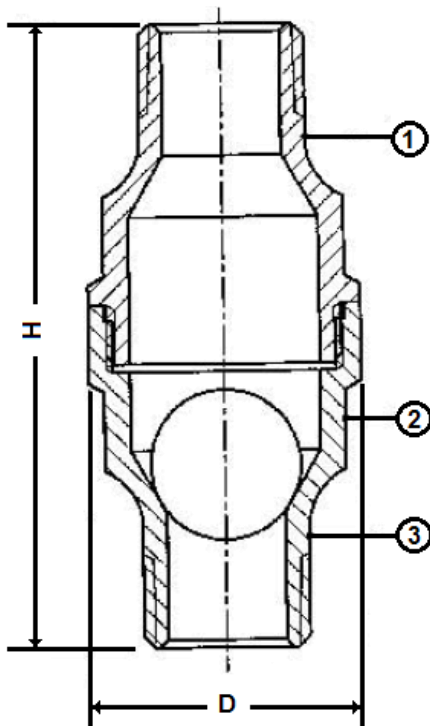


BDVLF Brass Ball Drip Valve • Spec Sheet



FEATURES & BENEFITS

- Lead Free Brass*
- Two Piece
- Solid Brass Ball
- NPT Threads Meet ANSI / ASME B1.20.1
- For Horizontal Use Only
- Sizes 1/2" - 3/4"



DIMENSIONS

| Part # | Size | H | D |
|----------|------|------|------|
| BDV-03LF | 1/2" | 3.09 | 1.36 |
| BDV-04LF | 3/4" | 3.09 | 1.36 |

MATERIAL SPECIFICATIONS

| No. | Part | Material |
|-----|--------|-------------------|
| 1 | Bonnet | Cast Brass C85700 |
| 2 | Ball | Cast Brass C85700 |
| 3 | Body | Cast Brass C85700 |

*This product complies with 0.25% weighted average lead content on wetted surfaces in accordance with the Safe Drinking Water Act (SDWA) / Federal Public Law No. 111-380.



Global sourcing. National compliance. Local service.

CALIFORNIA 5593 Fresca Dr., La Palma CA 90623 • Toll Free: 866-532-8306 • Fax: 866-532-8307
TEXAS 1150 Silber Rd., Houston TX 77055 • Toll Free: 800-935-5456 • Fax: 713-680-2999
NEW YORK PO Box 27, Rt. 22, Brewster NY 10509 • Toll Free: 800-431-2082 • Fax: 845-278-9056
 WEB: www.matco-norca.com EMAIL: mail@matco-norca.com