



# INSTALLATION INSTRUCTIONS FOR THE MODEL 830-AA SERVICE SINK WITH INTEGRAL VACUUM BREAKER

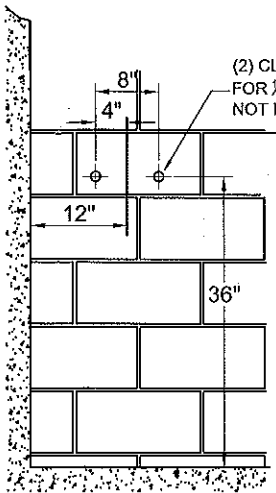


Fig. 1

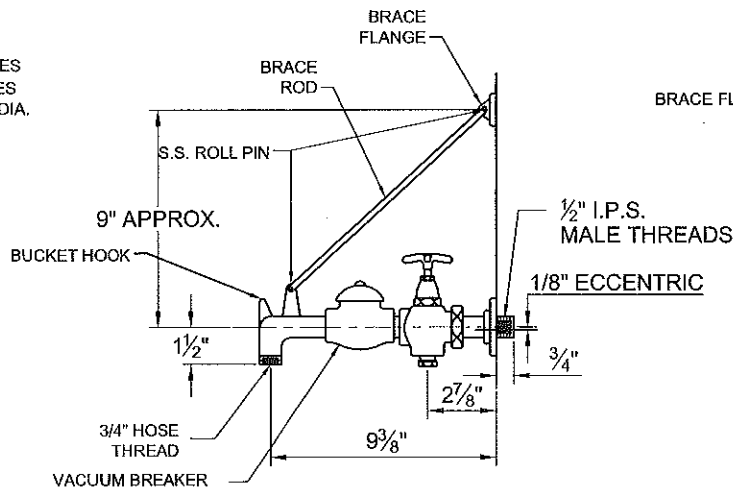


Fig. 2

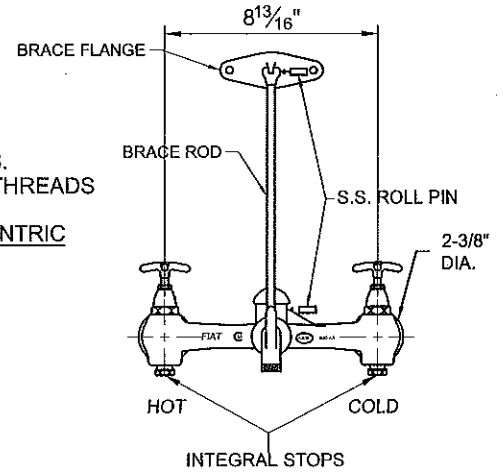


Fig. 3

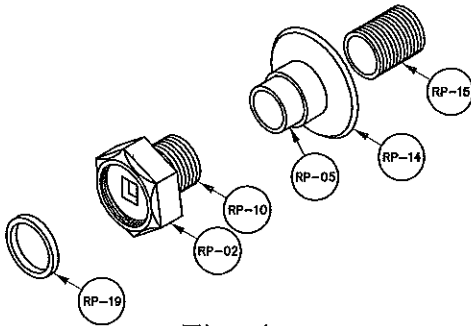


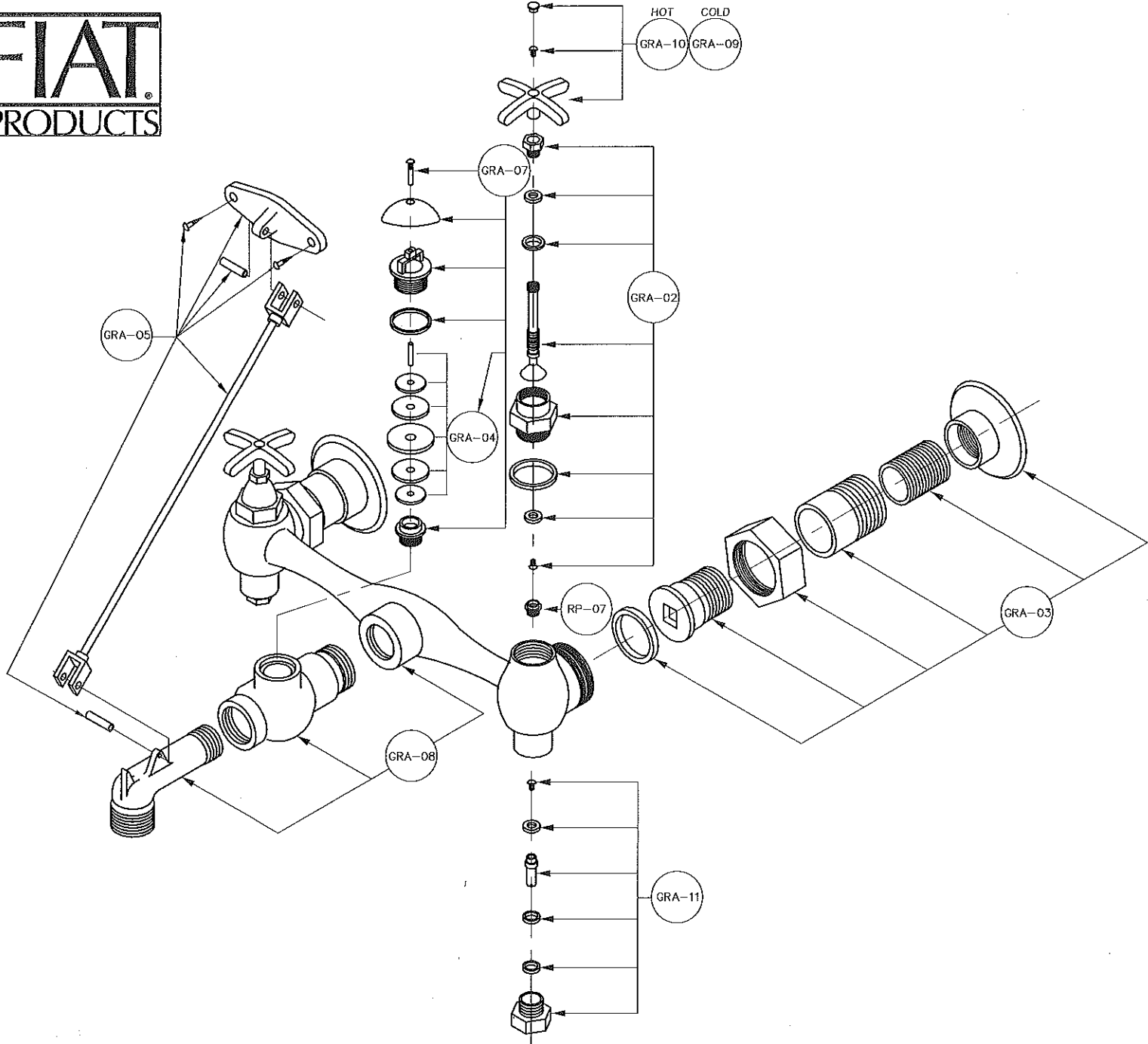
Fig. 4

## INSTALLATION INSTRUCTIONS

1. Unpack the valve and check for any damage that may have occurred during shipment.
2. Drill the supply holes for the hot and cold sides of the valve as per Fig. 1
3. Remove RP-02, RP-10, and RP-19 from the hot and cold sides of the valve and assemble as shown in Fig. 4 and place onto supply pipe for hot and cold water.
4. Once Step 3 is complete attach the valve to RP-02. **NOTE:** If RP-19 is not placed as shown in Fig. 4 the connection will leak.
5. Attach Brace Rod to nozzle with S.S. roll pin. Once this is completed, attach the Brace Flange to Brace Rod with S.S. roll pin. Position the Brace Flange against the wall and mark two hole locations for the Brace Flange holes and secure the Brace Flange to the wall.

FIAT CUSTOMER SERVICE  
UNITED STATES  
1-800-442-1902  
www.fiatproducts.com

FIAT CUSTOMER SERVICE  
CANADA  
1-800-387-0369  
www.fiat.ca



**GROUP RELACEMENT ASSEMBLY  
PARTS LIST**

- |  |   |   |
|--|---|---|
| <p><u>GRA-02 HANDLE MOUNTING GROUP ASSEMBLY</u><br/>         SPINDLE<br/>         SEAT WASHER<br/>         SEAT WASHER SCREW<br/>         PACKING NUT<br/>         BRASS WASHER<br/>         PACKING<br/>         HANDLE HUB<br/>         HUB WASHER</p> | <p><u>GRA-05 BRACE ASSEMBLY</u><br/>         WOOD SCREW (2)<br/>         BRACE FLANGE<br/>         S.S. ROLL PIN (2)<br/>         WALL BRACE ROD</p> <p><u>GRA-07 VACUUM BREAKER ASSEMBLY</u><br/>         SEAT<br/>         V.B. HUB<br/>         CAP<br/>         V.B. HUB WASHER<br/>         V.B. CAP SCREW<br/>         GRA-04 ASSEMBLY</p> <p><u>GRA-08 BODY ASSEMBLY</u><br/>         NOZZLE<br/>         CENTER BODY<br/>         V.B. BODY</p> | <p><u>GRA-09 COLD HANDLE ASSEMBLY</u><br/>         HANDLE<br/>         HANDLE SCREW<br/>         COLD INDEX</p> <p><u>GRA-10 HOT HANDLE ASSEMBLY</u><br/>         HANDLE<br/>         HANDLE SCREW<br/>         HOT INDEX</p> <p><u>GRA-11 INTEGRAL STOP ASSEMBLY</u><br/>         SPINDLE<br/>         BRASS WASHER<br/>         WASHER<br/>         PACKING NUT<br/>         SEAT WASHER SCREW<br/>         PACKING<br/>         SEAT</p> |
|--|---|---|