

32" WORKSPACE

UNDERMOUNT SINK -BRUSHED STAINLESS STEEL

SKU: 948496



FEATURES

- Material: Stainless Steel
- Basin Split: Single
- Shape: Rectangle
- Sink Installation: Undermount
- Faucet Centers: No Faucet Hole
- Number of Basins: 1
- Product Color: Stainless Steel
- Type 304 stainless steel
- Metal Gauge/Thickness: 16
- Faucet Included: No
- Faucet Holes: No Faucet Hole
- Drain Placement: Rear-Center
- Drain Included: Optional
- Mounting Hardware Included: Yes
- It is recommended to have the sink at the job site before cutting cabinet or counter top
- Sound absorption pads on the underside of sink
- Has an undercoating to prevent condensation buildup
- Includes a flat colander plate, bottom basin grid and wood cutting board

CONTENTS

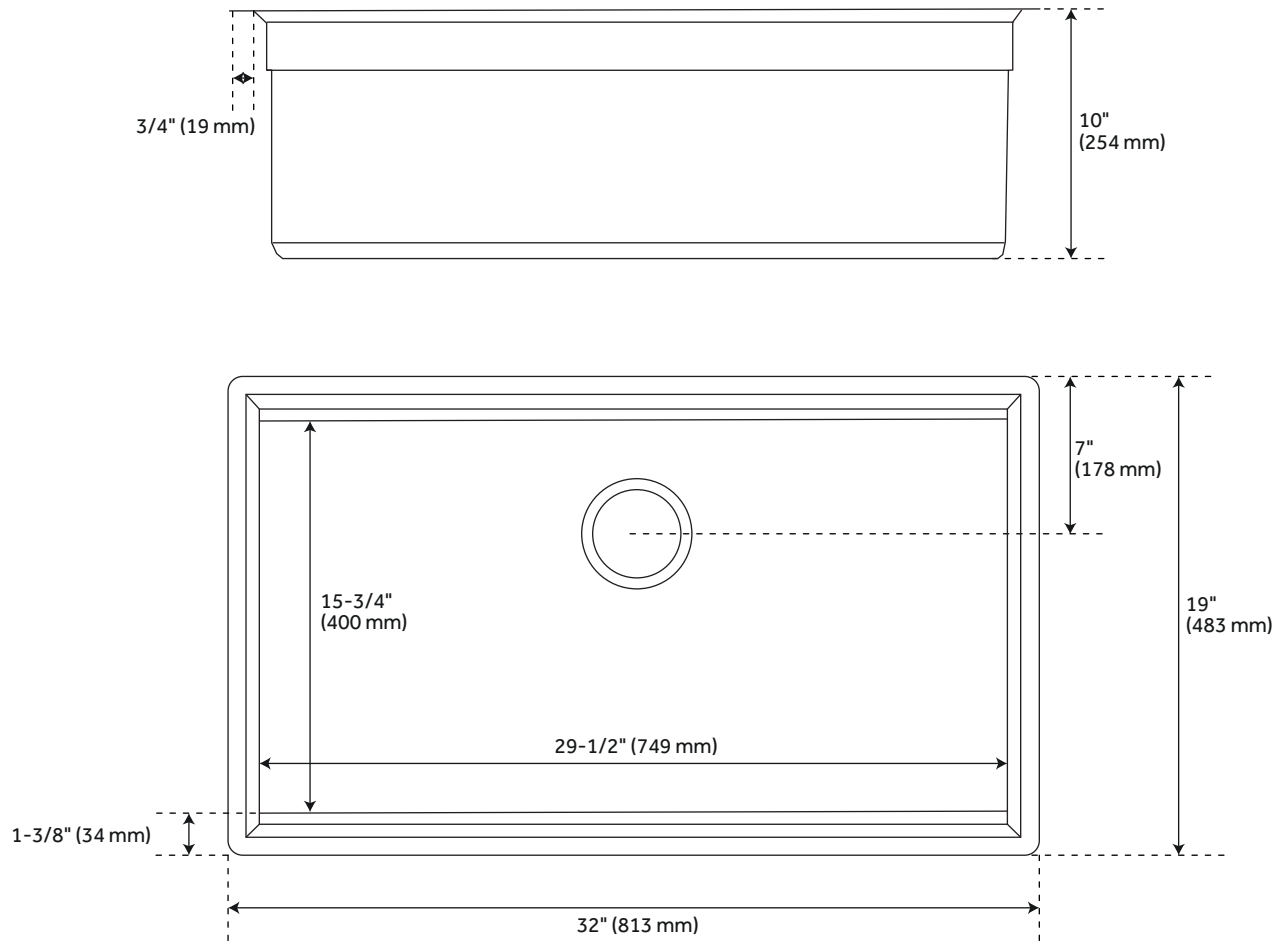
| | | |
|----------------|-------|--------|
| SINK | | PAGE 2 |
| COLANDER | | PAGE 3 |
| CUTTING BOARD | | PAGE 4 |
| SINK GRID | | PAGE 5 |
| PLASTIC BASKET | | PAGE 6 |
| METAL BASKET | | PAGE 7 |
| DRAIN MAT | | PAGE 8 |

REVISED 11/23/2021

32" WORKSPACE

UNDERMOUNT SINK - BRUSHED STAINLESS STEEL

SKU: 948496



FEATURES

- Length: 32"
- Width: 19"
- Height: 10"
- Basin Length: 29-1/2"
- Basin Width: 15-3/4"
- Fits Drain Hole Size: 3-1/2"

CODES/STANDARDS

- cUPC
- ASME A112.19.3/CSA B45.4
- Massachusetts Accepted

PRODUCT IMAGE



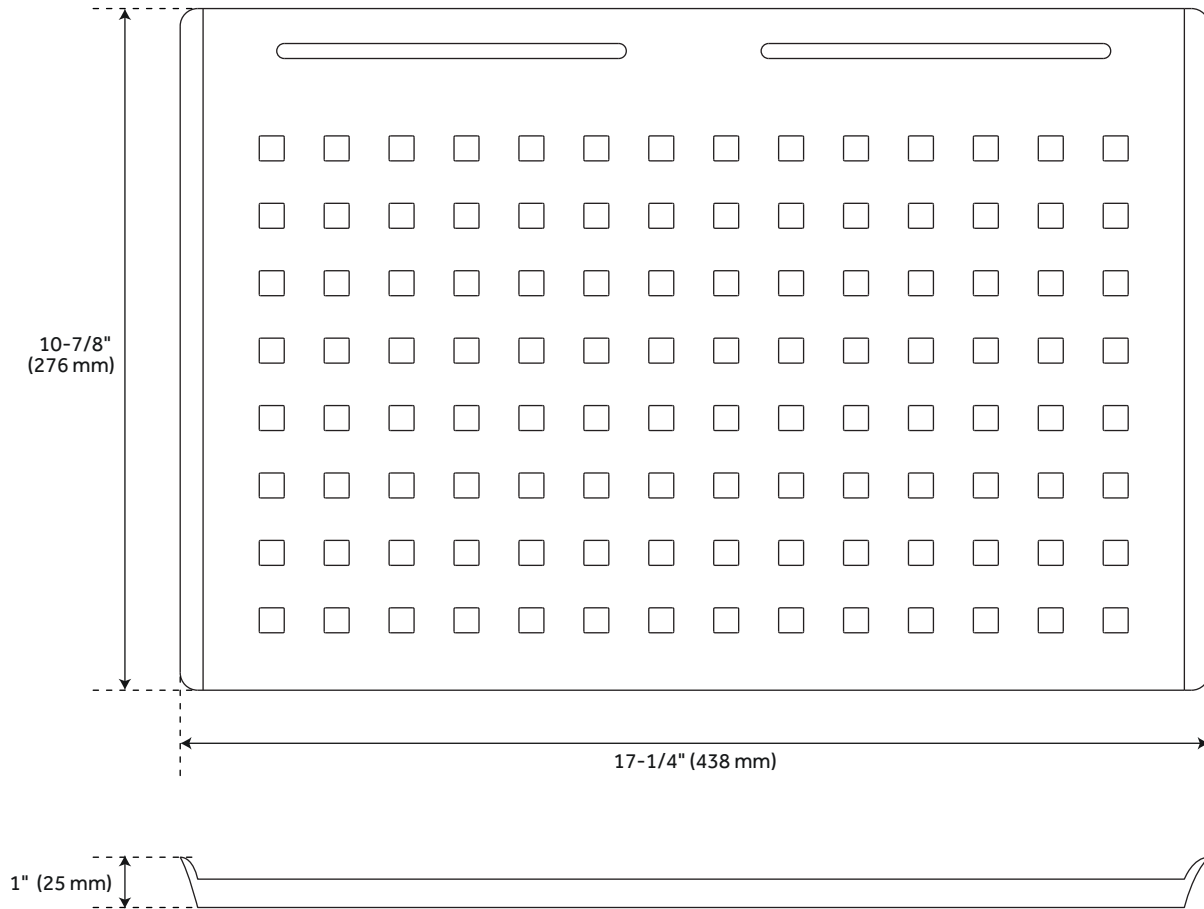
All dimensions and specifications are nominal and may vary. Use actual products for accuracy in critical situations.

PAGE 2
CODE: SHWORK1BZ

COLANDER

FOR 32" WORKSPACE STAINLESS STEEL UNDERMOUNT KITCHEN SINK

SKU: 948496



FEATURES

Material: Metal
Length: 17-1/4"
Width: 10-7/8"
Height: 1"

PRODUCT IMAGE



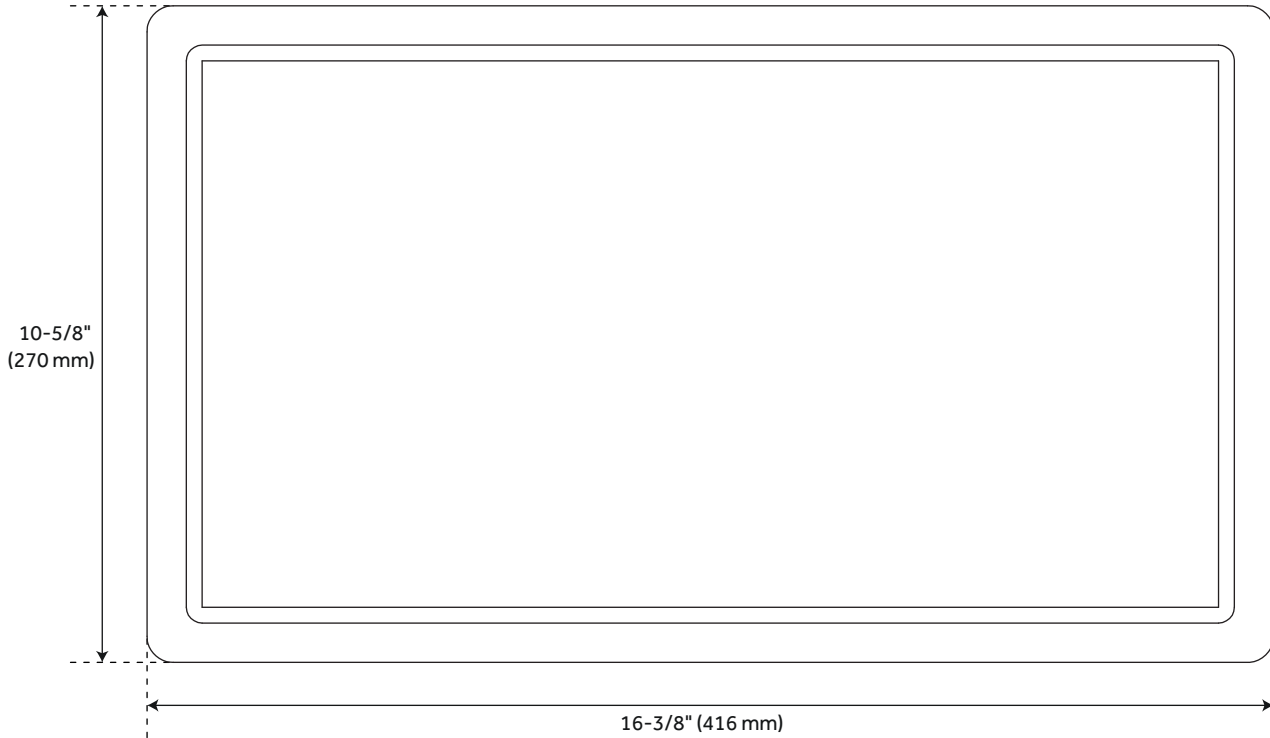
All dimensions and specifications are nominal and may vary. Use actual products for accuracy in critical situations.

PAGE 3
CODE: SHWORKMC

CUTTING BOARD

FOR 32" WORKSPACE STAINLESS STEEL UNDERMOUNT KITCHEN SINK

SKU: 948496



FEATURES

Material: Wood
Length: 16-3/8"
Width: 10-5/8"

PRODUCT IMAGE



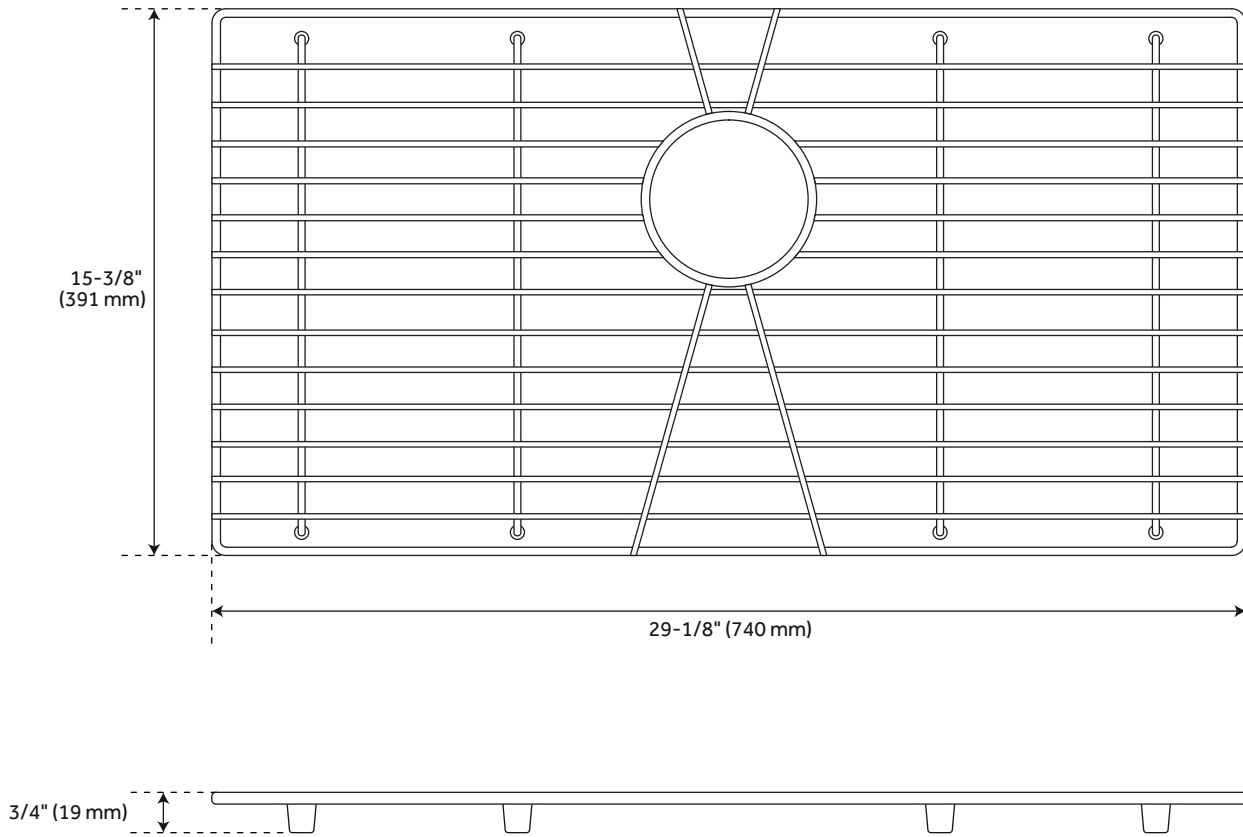
All dimensions and specifications are nominal and may vary. Use actual products for accuracy in critical situations.

PAGE 4
CODE: SHWORKCB

SINK GRID

FOR 32" WORKSPACE STAINLESS STEEL UNDERMOUNT KITCHEN SINK

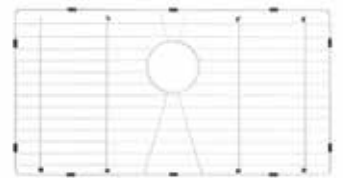
SKU: 948496



FEATURES

Material: Stainless Steel
Length: 29-1/8"
Width: 15-3/8"
Height: 3/4"

PRODUCT IMAGE



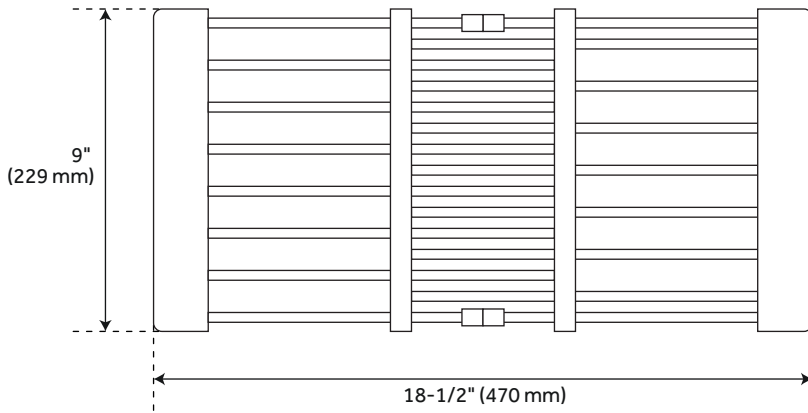
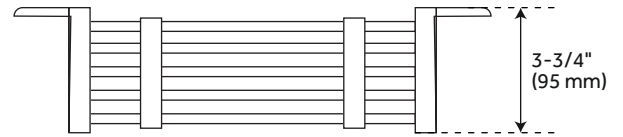
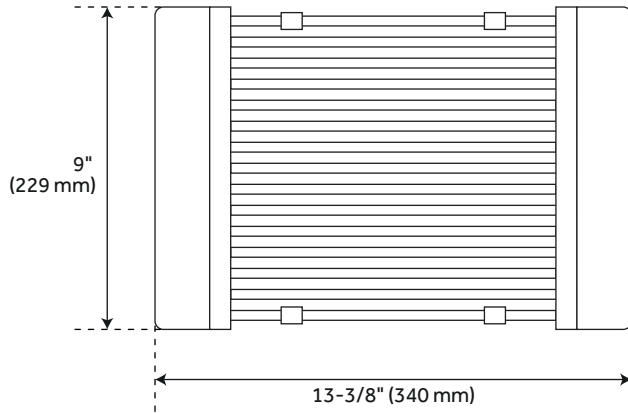
All dimensions and specifications are nominal and may vary. Use actual products for accuracy in critical situations.

PAGE 5
CODE: SHWORKGR

PLASTIC RINSE BASKET

FOR 32" WORKSPACE STAINLESS STEEL UNDERMOUNT KITCHEN SINK

SKU: 948496



FEATURES

Material: Plastic
Length Open: 18-1/2"
Width Open: 9"
Height Open: 3-3/4"
Length Closed: 13-3/8"
Width Closed: 9"
Height Closed: 3-3/4"

PRODUCT IMAGE



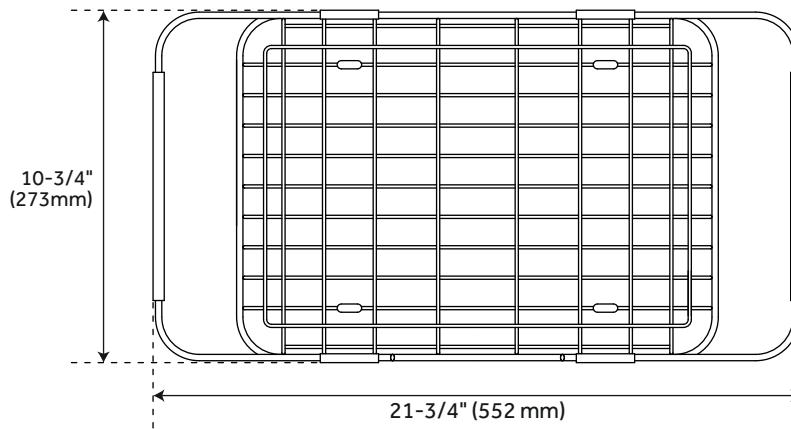
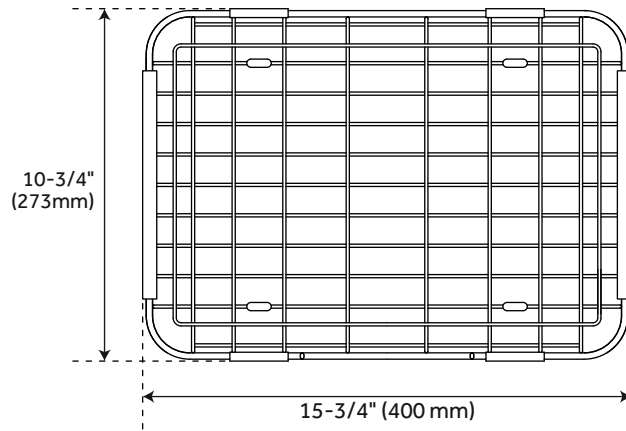
All dimensions and specifications are nominal and may vary. Use actual products for accuracy in critical situations.

PAGE 6
CODE: SHWORKPB

METAL RINSE BASKET

FOR 32" WORKSPACE STAINLESS STEEL UNDERMOUNT KITCHEN SINK

SKU: 948496



FEATURES

- Length Open: 21-3/4"
- Width Open: 10-3/4"
- Height Open: 4"
- Length Closed: 15-3/4"
- Width Closed: 10-3/4"
- Height Closed: 4"

PRODUCT IMAGE



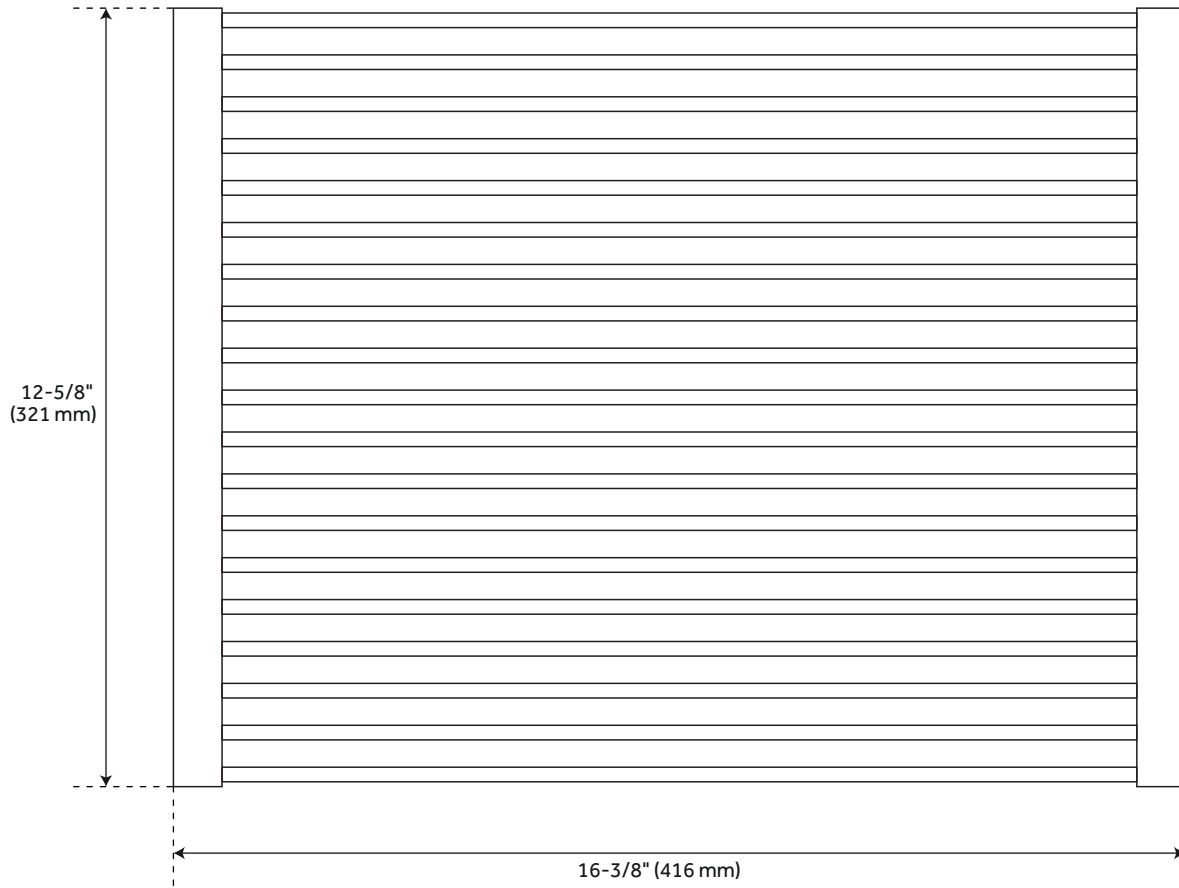
All dimensions and specifications are nominal and may vary. Use actual products for accuracy in critical situations.

PAGE 7
Code: SHWORKMBN

ROLLING MAT DRAIN BOARD

FOR 32" WORKSPACE STAINLESS STEEL UNDERMOUNT KITCHEN SINK

SKU: 948496



FEATURES

Material: Stainless Steel

Length : 16-3/8"

Width: 12-5/8"

PRODUCT IMAGE



All dimensions and specifications are nominal and may vary. Use actual products for accuracy in critical situations.

PAGE 8
CODE: SHWORKRM