

Liberty Pumps®

X-Series™

XFL50-Series

1/2 hp

XFL70-Series

3/4 hp



**Explosion-proof
Submersible
Effluent Pumps
for Hazardous
Locations**

**Class 1, Division 1
Groups C & D**

**Class 1, Zone 1 and
Group IIA and IIB**

Features:

- Dual 1-1/2" or 2" discharge
 - 3/4" solids-handling
- Heavy cast iron construction
 - Dual shaft seals
 - Seal fail sensor
- 2 vane semi-open cast iron impeller (bronze optional)
- 416 stainless steel rotor shaft
- 1-1/2" threads provided for optional conduit connection



**Dual Sized
Discharge**

1-1/2" or 2"

For use with ISS-Series and
ISD-Series intrinsically safe panels.

Consult factory for proper panel sizing.

innovate. evolve.

XFL50-SERIES XFL70-SERIES

1/2 hp 3/4 hp

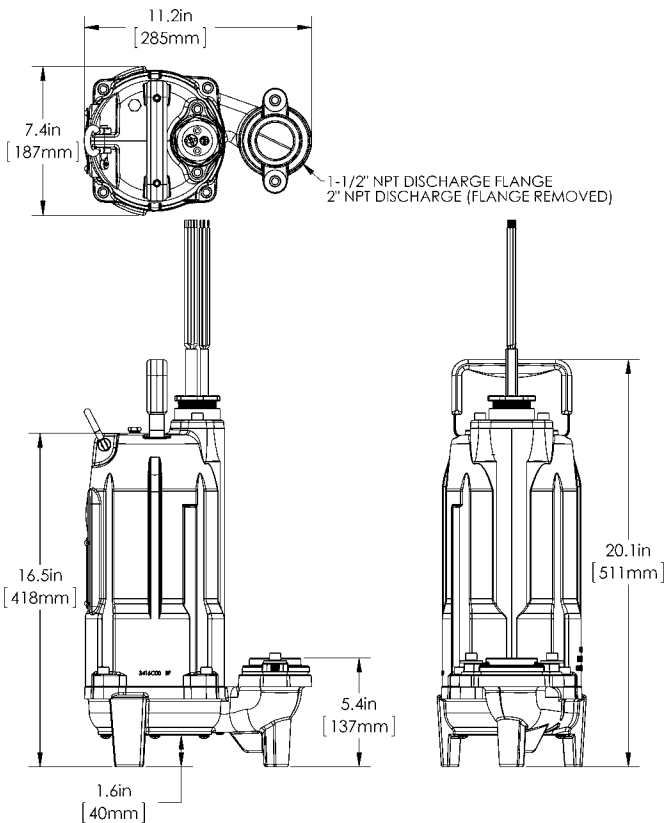
TECHNICAL SPECIFICATIONS

MODELS	HP	VOLTS	HZ	PHASE	FULL LOAD AMPS	CAPACITOR KIT	DISCHARGE SIZE	CORD LENGTH	WEIGHT (Lbs.)
XFL51M-2	1/2	115	60	1	14	K001515	1-1/2" & 2"	25'	89
XFL52M-2	1/2	208/230	60	1	7	K001514	1-1/2" & 2"	25'	89
XFL53M-2	1/2	208/231	60	3	4.5	N/A	1-1/2" & 2"	25'	89
XFL54M-2	1/2	440-480	60	3	2.6	N/A	1-1/2" & 2"	25'	89
XFL55M-2	1/2	575	60	3	2.2	N/A	1-1/2" & 2"	25'	89
XFL71M-2	3/4	115	60	1	15	K001515	1-1/2" & 2"	25'	89
XFL72M-2	3/4	208/230	60	1	9	K001514	1-1/2" & 2"	25'	89
XFL73M-2	3/4	208/231	60	3	6	N/A	1-1/2" & 2"	25'	89
XFL74M-2	3/4	440-480	60	3	3	N/A	1-1/2" & 2"	25'	89
XFL75M-2	3/4	575	60	3	2.5	N/A	1-1/2" & 2"	25'	89

25' cords standard. For 35' cords, add "-3" suffix to the model number. Example: XFL51M-3
 Cast iron impeller standard. For bronze impeller add "B" to model number. Example: XFL51BM-2

NOTE: 3-phase models require a control panel with overloads properly sized for the pump. See intrinsically safe panels ISS-Series (simplex) or ISD-Series (duplex) literature for complete panel information. Consult factory for proper panel sizing.

DIMENSIONAL DATA:

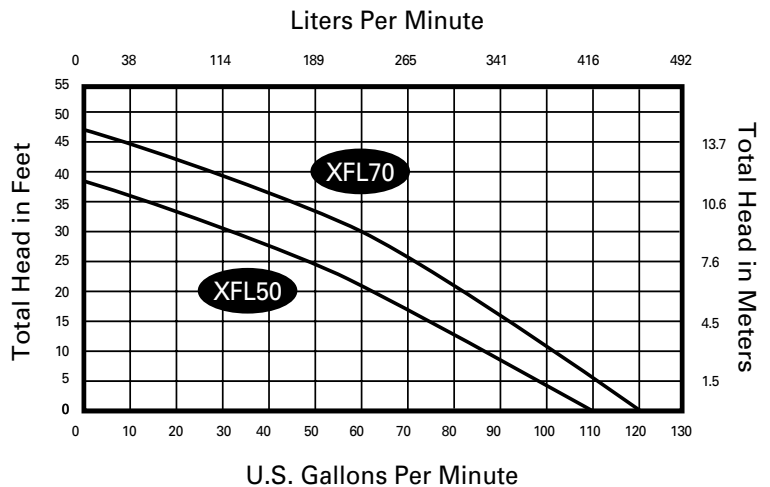


CONSTRUCTION:

- Pump and Motor Housing:** Heavy cast iron - Class 30
- Impeller:** Cast Iron (standard), Bronze option available (order "B" models)
- Motor:** Submersible type, oil-filled, hermetically sealed
- Bearings:** Ball bearings upper and lower
- Thermal Protection:** Single-phase models - built into motor windings with automatic reset. Three-phase models require overloads in the control panel
- Capacitor:** External run capacitor required in panel (single phase models)
- Shaft Seal:** Dual seals, silicon carbide with BUNA N elastomers and stainless steel housing
- Seal Fail Sensor:** Integral moisture sensing probe (functionality requires indicator in panel - see ISS or ISD-Series panels)
- Maximum Fluid Temperature:** 104° F (40° C)

PERFORMANCE CURVE

60Hz. 3450 RPM



Meets FM Standards

Specifications are subject to change without notice.