

ElectriFLEX HD™ (Heavy Duty) Commercial Electric Water Heater



Photo is of
CEHD50(kW)3*CF

Bradford White ElectriFLEX HD™ Electric Models Feature:

- **Immersion Thermostats** —Designed to provide outlet water at a thermostatically controlled temperature greater than 180°F (82°C).
- **Conversion Kits**—Design certified by UL[®] for field conversion. Conversion kits are available to convert any one model to a variety of voltages and kW inputs (Kit part numbers on reverse side). All models are shipped from the factory standard Three Phase, and can be field converted to Single Phase without a conversion kit.
- **Insulation System**—3" (76mm) Non-CFC foam covers the sides and top of the tank, reducing heat loss. This results in less energy consumption, improved efficiencies, and jacket rigidity.
- **Vitraglas[®] Lining with Microban[®]**—An exclusively engineered enamel formula that provides superior tank protection from the corrosive effects of water; and with Microban[®] antimicrobial product protection to help prevent the growth of bacteria, mold and mildew on the surface of the tank lining.
- **Hydrojet[®] Sediment Reduction System**—Sediment build-up reducing device that also increases first hour delivery of hot water while minimizing temperature build-up in tank.
- **Water Connections**—1½" (38mm) NPT factory-installed true dielectric fittings extend water heater life and simplify water line connections.
- **Elements**—Screw in style low watt density incoloy sheathed elements standard. These elements are durable and resistant to lime buildup.
- **Two Protective Anode Rods**—Provide added protection against corrosion for long-term, trouble-free service.
- **Hand Hole Cleanout**—Allows inspection of tank interior and facilitates the removal of sediment deposits.
- **ASME Construction Available.**
- **NSF Kits Available.**
- **Low Restrictive Brass Drain Valve**—Durable tamper proof design.
- **T&P Relief Valve**—Installed.
- **Completely Pre-wired**—With pressure lug terminal block eliminating need for splicing or taping of wires.
- **Voltages Available**—208v, 240v, 277v, 380v, 415v, 480v and 600v.
- **Internal Fusing**—Standard on all models.

FEATURING:



3 or 5-Year Limited Tank Warranties / 1-Year Limited Warranty on Component Parts.

For more information on warranty, please visit www.bradfordwhite.com

For products installed in USA, Canada, and Puerto Rico. Some states do not allow limitations on warranties. See complete copy of the warranty included with the heater.

Microban[®] antimicrobial product protection helps prevent the growth of bacteria, mold and mildew that may affect the product. The built-in antimicrobial properties do not protect users or others from disease-causing organisms. Microban[®] is a registered trademark of Microban Products Company.

Commercial Electric Water Heater

ElectriFLEX HD™ Electric Models

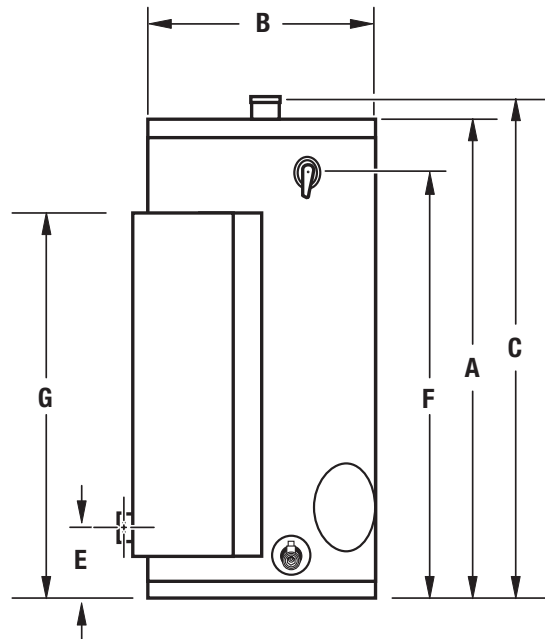
Meet or exceed ASHRAE 90.1 (latest edition). C.E.C. Listed

| Model Number | Rated Nominal Capacity | | Min. - Max. kW Input Range | A | B | C | E | F | G | J | Water Conn. NPT | Approx Shipping Weight lbs. | |
|--------------------|------------------------|-----------|----------------------------|------------------------|-------------|--------------------------|----------------------------------|--------------------|-----------------------------|------------------------|-----------------|-----------------------------|------|
| | U.S. Gal. | Imp. Gal. | | Floor to Top of Heater | Jacket Dia. | Floor to Hot Water Conn. | Floor to C/L of Cold Water Conn. | Floor to T&P Conn. | Floor to Top of Control Box | C/L of Hot Water Conn. | | Std. | ASME |
| CEHD50(A)(kW)3*CF | 50 | 42 | 13.5 - 54 | 50 7/16 | 24 | 52 5/8 | 6 15/16 | 40 11/16 | 49 1/8 | 12 | 1 1/2 | 270 | 302 |
| CEHD80(A)(kW)3*CF | 80 | 67 | 13.5 - 54 | 61 1/4 | 26 | 65 1/2 | 7 | 52 9/16 | 49 1/8 | 13 | 1 1/2 | 335 | 378 |
| CEHD120(A)(kW)3*CF | 119 | 100 | 13.5 - 54 | 64 11/16 | 30 1/4 | 66 3/4 | 6 15/16 | 54 3/4 | 50 9/8 | 15 1/8 | 1 1/2 | 430 | 485 |

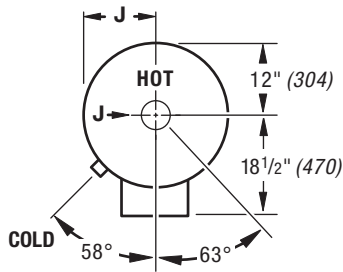
| Model Number | Rated Nominal Capacity | | Min. - Max. kW Input Range | A | B | C | E | F | G | J | Water Conn. NPT | Approx Shipping Weight kg. | |
|--------------------|------------------------|--|----------------------------|------|-----|------|-----|------|------|-----|-----------------|----------------------------|------|
| | Liters | | | mm. | mm. | mm. | mm. | mm. | mm. | mm. | | Std. | ASME |
| CEHD50(A)(kW)3*CF | 189 | | 13.5 - 54 | 1281 | 610 | 1337 | 176 | 1033 | 1248 | 308 | 38 | 122 | 137 |
| CEHD80(A)(kW)3*CF | 303 | | 13.5 - 54 | 1556 | 660 | 1664 | 178 | 1326 | 1248 | 330 | 38 | 152 | 171 |
| CEHD120(A)(kW)3*CF | 450 | | 13.5 - 54 | 1643 | 768 | 1695 | 176 | 1391 | 1337 | 384 | 38 | 195 | 220 |

* = voltage and phase designator. Voltage and phase must be specified when ordering. Example: CEHD50243*CF, 240 Volt, 3 phase.

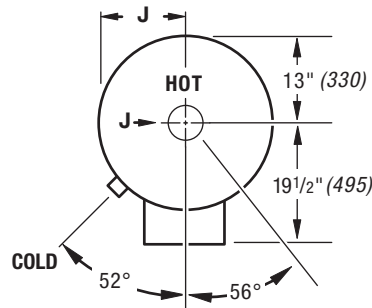
(A) ASME Construction available. For ASME construction add "A" to the model number. Example: CEHD50A243*CF.



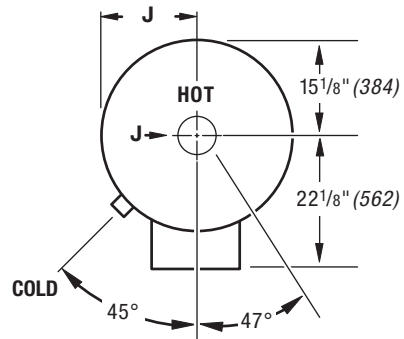
(mm) CEHD50(A)



CEHD80(A)



CEHD120(A)



Commercial Electric Water Heater

| Model | Desired Input | | Conversion Kit Part Numbers*** | | | | | | |
|----------------------|---------------|------------|--------------------------------|---------------|---------------|---------------|---------------|--------------|--------------|
| | Total kW | Element kW | 208 Volts | 240 Volts | 277 Volts | 380 Volts | 415 Volts | 480 Volts | 600 Volts* |
| CEHD with 3 Elements | 13.5 | 4.5 | 415-51043-129 | 415-51043-64 | 415-51043-114 | 415-51043-105 | 415-51043-95 | 415-51043-86 | 415-51043-04 |
| | 15 | 5 | 415-51043-130 | 415-51043-122 | 415-51043-115 | 415-51043-106 | 415-51043-96 | 415-51043-87 | 415-51043-05 |
| | 18 | 6 | 415-51043-131 | 415-51043-123 | 415-51043-116 | 415-51043-107 | 415-51043-97 | 415-51043-88 | 415-51043-06 |
| CEHD with 6 Elements | 24 | 4 | 415-51043-132 | 415-51043-67 | 415-51043-55 | 415-51043-108 | 415-51043-98 | 415-51043-89 | 415-51043-07 |
| | 27 | 4.5 | 415-51043-133 | 415-51043-68 | 415-51043-117 | 415-51043-109 | 415-51043-99 | 415-51043-90 | 415-51043-08 |
| | 30 | 5 | 415-51043-134 | 415-51043-124 | 415-51043-118 | 415-51043-110 | 415-51043-100 | 415-51043-91 | 415-51043-09 |
| | 36 | 6 | 415-51043-135 | 415-51043-125 | 415-51043-119 | 415-51043-111 | 415-51043-101 | 415-51043-92 | 415-51043-10 |
| CEHD with 9 Elements | 45 | 5 | 415-51043-136 | 415-51043-126 | 415-51043-120 | 415-51043-112 | 415-51043-110 | 415-51043-92 | 415-51043-11 |
| | 54 | 6 | 415-51043-137** | 415-51043-127 | 415-51043-121 | 415-51043-113 | 415-51043-103 | 415-51043-93 | 415-51043-12 |

3 element models may convert 13.5kW thru 18kW ONLY

6 element models may convert 24kW thru 36kW ONLY

9 element models may convert 45kW thru 54kW ONLY

| *** Converting 3 Element Configurations (13.5-18kW) | | | *** Converting 6 or 9 element configurations (24-54kW) | | |
|---|------------------|--------------------------------|--|------------------|--------------------------------|
| From | To | Transformer Required | From | To | Transformer Required |
| 208/240/480 Volt | 277/380/415 Volt | 415-41994-02 | 208/240/480 Volt | 277/380/415 Volt | 415-41995-02 |
| 277/380/415 Volt | 208/240/480 Volt | 415-41994-01 | 277/380/415 Volt | 208/240/480 Volt | 415-41995-01 |
| 208/240/480 Volt | 208/240/480 Volt | No Transformer Change Required | 208/240/480 Volt | 208/240/480 Volt | No Transformer Change Required |
| 277/380/415 Volt | 277/380/415 Volt | No Transformer Change Required | 277/380/415 Volt | 277/380/415 Volt | No Transformer Change Required |

* Only kW conversion is allowed for models rated 600V. Models rated 480V and below must not be converted to 600V.

** Only available as a three phase conversion kit.

| Input kW | Recovery GPH Temperature Rise °F | | | | | | | | |
|----------|----------------------------------|-----|-----|-----|-----|-----|-----|-----|-----|
| | 40 | 50 | 60 | 70 | 80 | 90 | 100 | 120 | 140 |
| 13.5 | 140 | 112 | 93 | 80 | 70 | 62 | 56 | 47 | 40 |
| 15 | 155 | 124 | 103 | 89 | 78 | 69 | 62 | 52 | 44 |
| 18 | 186 | 149 | 124 | 106 | 93 | 83 | 74 | 62 | 53 |
| 24 | 248 | 199 | 164 | 142 | 124 | 110 | 99 | 83 | 71 |
| 27 | 279 | 223 | 186 | 160 | 140 | 124 | 112 | 93 | 80 |
| 30 | 310 | 248 | 207 | 177 | 155 | 138 | 124 | 103 | 89 |
| 36 | 372 | 298 | 248 | 213 | 186 | 165 | 149 | 124 | 106 |
| 45 | 465 | 372 | 310 | 266 | 233 | 207 | 186 | 155 | 133 |
| 54 | 558 | 447 | 372 | 319 | 279 | 248 | 223 | 186 | 160 |

| Input kW | Recovery LPH Temperature Rise °C | | | | | | | | |
|----------|----------------------------------|------|------|------|------|-----|-----|-----|-----|
| | 23 | 28 | 34 | 40 | 45 | 50 | 56 | 67 | 78 |
| 13.5 | 530 | 424 | 352 | 303 | 265 | 235 | 212 | 178 | 151 |
| 15 | 587 | 469 | 390 | 337 | 295 | 261 | 235 | 197 | 167 |
| 18 | 704 | 564 | 469 | 401 | 352 | 314 | 280 | 235 | 201 |
| 24 | 939 | 753 | 621 | 538 | 469 | 416 | 375 | 314 | 269 |
| 27 | 1056 | 844 | 704 | 606 | 530 | 469 | 424 | 352 | 303 |
| 30 | 1173 | 939 | 784 | 670 | 587 | 522 | 469 | 390 | 337 |
| 36 | 1408 | 1128 | 939 | 806 | 704 | 625 | 564 | 469 | 401 |
| 45 | 1760 | 1408 | 1173 | 1007 | 882 | 784 | 704 | 587 | 503 |
| 54 | 2112 | 1692 | 1408 | 1208 | 1056 | 939 | 844 | 704 | 606 |

| Number of Elements | | | | | | | | | | |
|--------------------|------------|---|------------|---|------------|---|------------|---|------------|---|
| Input kW | 208V Phase | | 240V Phase | | 277V Phase | | 380V Phase | | 415V Phase | |
| | 1 | 3 | 1 | 3 | 1 | 3 | 1 | 3 | 1 | 3 |
| 13.5 | 3 | 3 | 3 | 3 | 3 | 3 | 3 | 3 | 3 | 3 |
| 15 | 3 | 3 | 3 | 3 | 3 | 3 | 3 | 3 | 3 | 3 |
| 18 | 3 | 3 | 3 | 3 | 3 | 3 | 3 | 3 | 3 | 3 |
| 24 | 6 | 6 | 6 | 6 | 6 | 6 | 6 | 6 | 6 | 6 |
| 27 | 6 | 6 | 6 | 6 | 6 | 6 | 6 | 6 | 6 | 6 |
| 30 | 6 | 6 | 6 | 6 | 6 | 6 | 6 | 6 | 6 | 6 |
| 36 | 6 | 6 | 6 | 6 | 6 | 6 | 6 | 6 | 6 | 6 |
| 45 | 9 | 9 | 9 | 9 | 9 | 9 | 9 | 9 | 9 | 9 |
| 54 | 9 | 9 | 9 | 9 | 9 | 9 | 9 | 9 | 9 | 9 |

| Full Load Current Amperes | | | | | | | | | | |
|---------------------------|------------|-------|------------|-------|------------|------|------------|-------|------------|------|
| Input kW | 208V Phase | | 240V Phase | | 277V Phase | | 380V Phase | | 415V Phase | |
| | 1 | 3 | 1 | 3 | 1 | 3 | 1 | 3 | 1 | 3 |
| 13.5 | 64.9 | 37.5 | 56.2 | 32.5 | 48.7 | 21.0 | 19.0 | 28.1 | 16.2 | 13.0 |
| 15 | 72.1 | 41.6 | 62.5 | 36.1 | 54.1 | 23.0 | 21.0 | 31.2 | 18.0 | 14.4 |
| 18 | 86.5 | 50.0 | 72.0 | 43.4 | 64.0 | 28.0 | 25.0 | 37.5 | 21.6 | 17.3 |
| 24 | 115.4 | 66.7 | 100.0 | 57.8 | 86.6 | 37.0 | 34.0 | 50.0 | 28.9 | 23.1 |
| 27 | 129.8 | 75.0 | 112.5 | 65.0 | 97.4 | 41.0 | 38.0 | 56.2 | 32.5 | 26.0 |
| 30 | 144.2 | 83.3 | 125.0 | 72.2 | 108.3 | 46.0 | 42.0 | 62.5 | 36.1 | 28.9 |
| 36 | 173.0 | 100.0 | 150.0 | 86.7 | 129.9 | 55.0 | 50.0 | 75.0 | 43.3 | 34.6 |
| 45 | 216.3 | 125.0 | 187.5 | 108.3 | 162.4 | 69.0 | 63.0 | 93.7 | 54.1 | 43.3 |
| 54 | 259.6 | 150.0 | 225.0 | 130.0 | 194.9 | 83.0 | 75.0 | 112.5 | 65.0 | 52.0 |

3 element models may convert 13.5kW thru 18kW ONLY

6 element models may convert 24kW thru 36kW ONLY

9 element models may convert 45kW thru 54kW ONLY

Sample Specification

The water heater shall be a Bradford White ElectriFLEX HD™ model with a rated storage capacity of not less than _____ gallons (_____ liters), a minimum kW input of _____ kW (_____ BTU/Hr.), a minimum recovery of _____ GPH (_____ LPH). The tank shall be lined with Vitraglas® vitreous enamel with Microban® antimicrobial technology and have a bolted hand hole cleanout. The tank shall have _____ anode rods installed in separate tank head couplings. The heater shall have 3" (76mm) Non-CFC foam insulation, and come equipped with an ASME rated T&P relief valve, a cold water inlet Hydrojet® Sediment Reduction System. It shall be design certified by UL® for 180°F (82°C) application, either with or without a separate storage tank, and comply with state and local codes and ordinances.

General

All electric water heaters are certified at 300 PSI test pressure (2068 kPa) and 150 PSI working pressure (1034 kPa). All models are design certified by UL®, to provide outlet water at a thermostatically controlled temperature greater than 180°F (82°C) as an Automatic Storage Heater, and an Automatic Circulating Tank Heater. As an Automatic Storage Heater, all models are complete, self-contained water heating systems. It needs no separate storage tank, pump, wiring or elaborate piping network. When equipped with a mixing valve, it will supply 180°F (82°C) sanitizing and lower temperature general purpose hot water simultaneously. These models can be used either as a single unit or in multiples connected in series or parallel (recommended). ***Dimensions and specifications subject to change without notice in accordance with our policy of continuous product improvement.***

— BRADFORD WHITE IS —

**AMERICAN
STRONG**

Sales: 800-523-2931 ■ Fax 215-641-1612

24/7 Technical Support: 800-334-3393 ■ Email techserv@bradfordwhite.com

Products made by Bradford White are manufactured in the United States using the finest raw materials and components from around the world.

Built to be the Best®