

17" TOTTEN GRANITE COMPOSITE DUAL-MOUNT PREP SINK - DROP-IN OR UNDERMOUNT - BLACK

SKU: 447410

Code: SHGR1B1616



FEATURES

Material: Granite Composite
Product Finish: Black
Installation Type: Drop-In, Undermount
Shape: Square
Drain Placement: Center Rear
Fits Drain Hole Size: 3-1/2"
Faucet Centers: No Faucet Hole
Overflow Hole: No
Mounting Hardware Included: Yes

Optional Accessory: Strainer: SH482757, SH482758, SH480532, SH446624, SH482759, SH480531, SH402266, SH212170, SH446628, SH171SS, SH482752, SH482753, SH480538, SH446614, SH446615, SH482754, SH480537, SH196809, SH212165, SH446618, SH406049

CSA B45.5/IAPMO Z124, Massachusetts Accepted, LISTED ID: SHGR1B1616BL



ADDITIONAL FEATURES

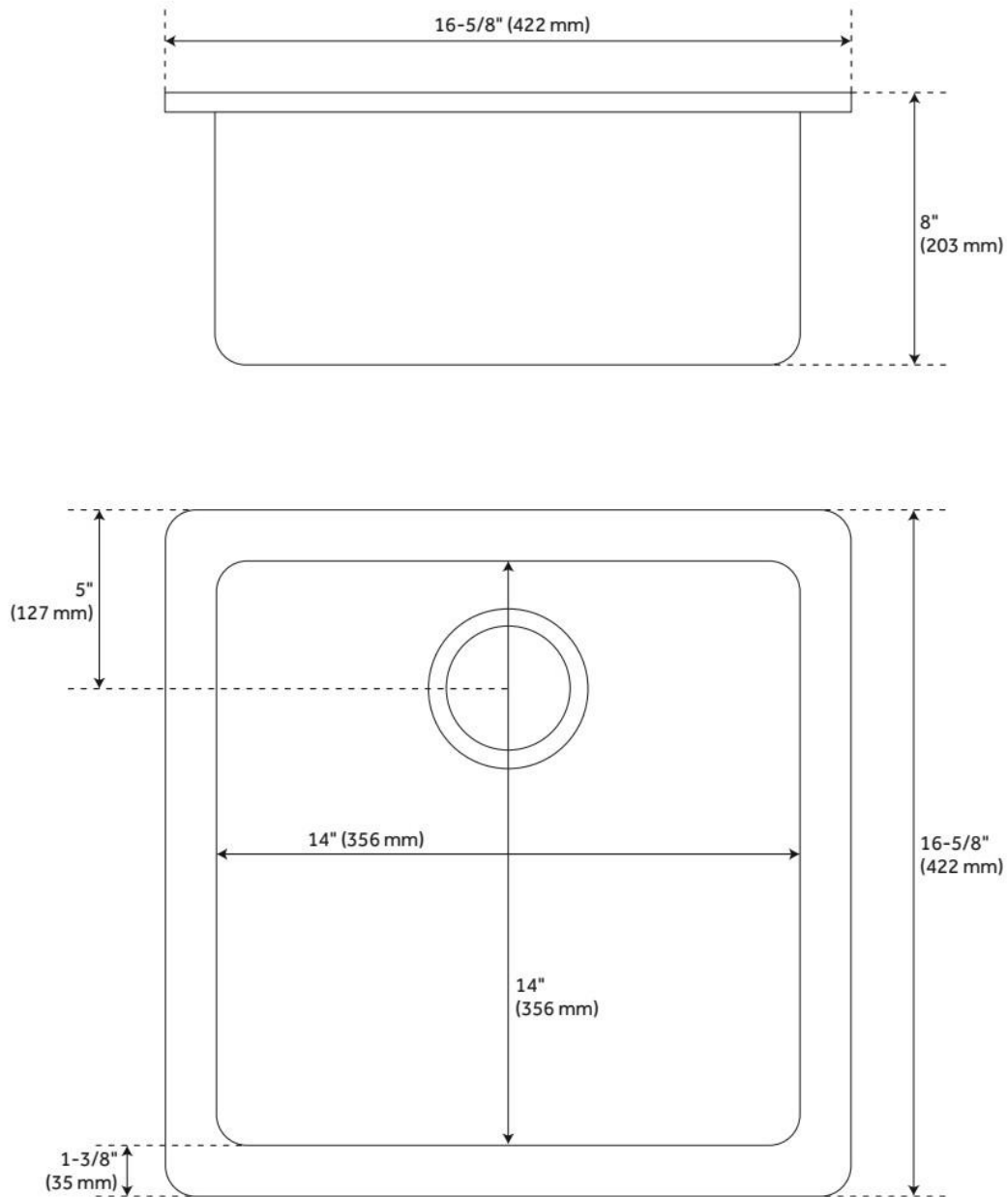
- Installation Type: drop-in or undermount
- It is recommended to have the sink at the job site before cutting cabinet or counter top.
- Resistant to heat, stains, and scratches.

REVISED 10/3/2024

17" TOTTEN GRANITE COMPOSITE DUAL-MOUNT PREP SINK - DROP-IN OR UNDERMOUNT - BLACK

SKU: 447410

Code: SHGR1B1616



REVISED 10/3/2024