

TOTO®

MS614114CUF(R)(G)

Carlyle® II 1G® One-Piece Toilet, 1.0GPF

FEATURES

- Tornado Flush™ system, ultra high-efficiency (1.0GPF/3.8LPF)
- Skirted design
- CeFiONtect™ ceramic glaze - prevents debris and mold from sticking to ceramic surfaces, leading to fewer chemicals and less water in cleaning
- Universal Height
- Decorative one-piece design with high-profile tank
- Chrome trip lever
- Elongated front bowl with SoftClose® seat (SS114)
- 12" Uni-fit rough-in

MODELS

- MS614114CUFG
With CeFiONtect ceramic glaze, SS114 SoftClose seat included (#01, #03, #11, #12)
- MS614114CUFRG
Same as above with right-hand trip lever (#01)
- MS614114CUF
Without CeFiONtect, SS114 SoftClose seat included (#51)

COLORS/FINISHES

- #01 Cotton
- #03 Bone
- #11 Colonial White
- #12 Sedona Beige
- #51 Ebony

OPTIONAL ROUGH-IN

- 10" rough-in TSU01W.10R
- 14" rough-in TSU01W.14R

PRODUCT SPECIFICATION

The one-piece ultra high-efficiency Tornado Flush system toilet shall be 1.0GPF/3.8LPF. Toilet shall have optional CeFiONtect ceramic glaze and be at Universal Height. Toilet shall have high-profile tank, elongated front bowl with SoftClose seat and Chrome trip lever. Toilet shall be TOTO Model MS614114CUFG_____.



1G One Gallon Per Flush

CeFiONtect

Tornado Flush

CODES/STANDARDS

- Meets or exceeds ASME A112.19.2/CSA B45.1
- Certifications: IAPMO(cUPC), EPA Watersense, State of Massachusetts, City of Los Angeles, and others
- Code compliance: UPC, IPC, NSPC, NPC Canada, and others
- Legislative Compliance: California AB715, CALGreen Title 24, City of Los Angeles Water Efficiency Ordinance, California Energy Commission Standards
- ADA compliant (when installed with trip lever located on the approach side)



MS614114CUF(R)(G)

Carlyle® II 1G® One-Piece Toilet, 1.0GPF

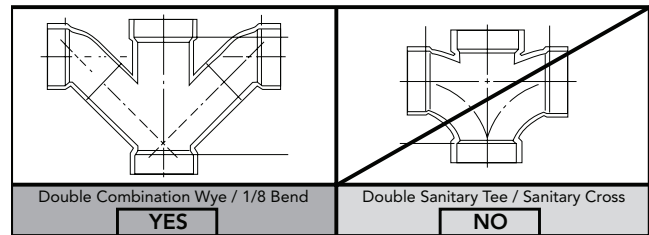
SPECIFICATIONS

- Water Use 1.0 GPF/3.8LPF
- Flush System Tornado Flush™
- Min. Water Pressure 8 psi (flowing)
- Water Surface 6-7/8" x 9-3/4"
- Trap Diameter 2-1/8"
- Rough-in 12"
- Trap Seal 2-1/8"
- Warranty One Year Limited Warranty
- Material Vitreous china
- Shipping Weight 110 lbs.
- Shipping Dimensions 32" L x 20" W x 17-3/4" H¹ x 28-3/4" H²

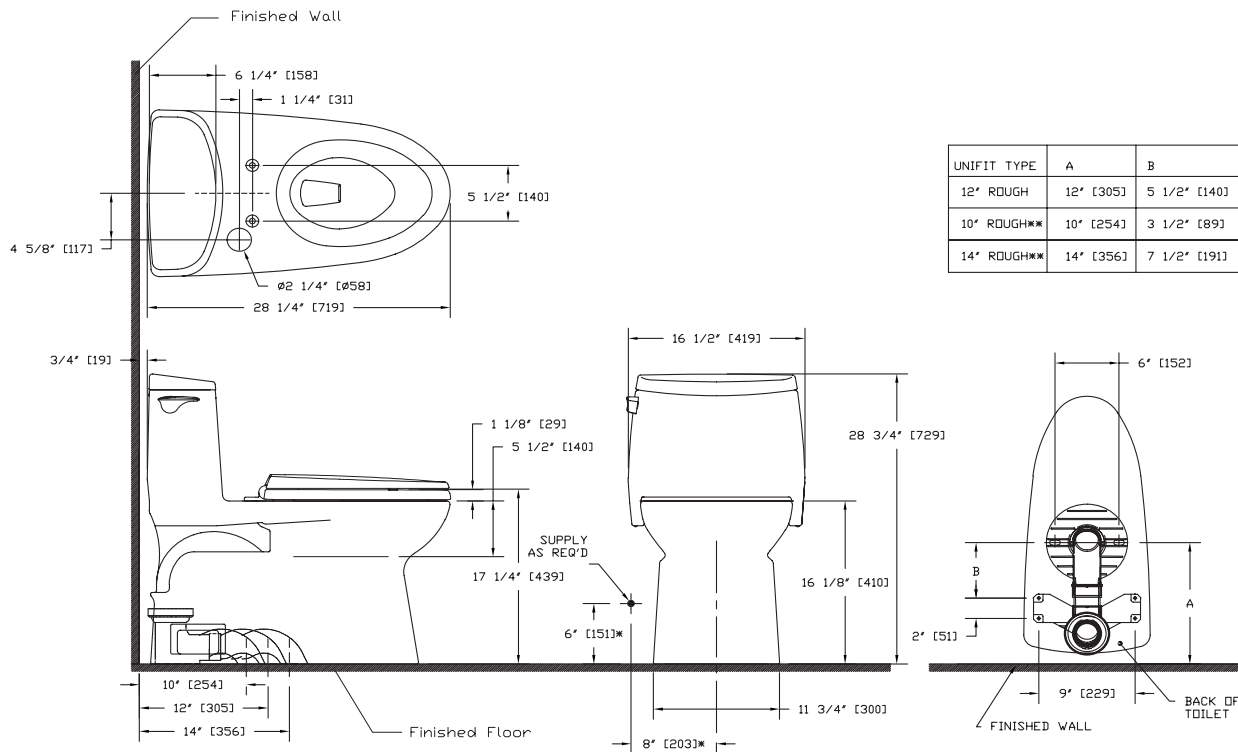
INSTALLATION NOTES

Back-to-Back Toilet Installations:

TOTO recommends the use of a nationally listed, double sanitary tee-wye only, in vertical waste stacks, in accordance with the stipulations noted in the majority of nationally recognized plumbing codes.



To maintain adequate wall gap between the back of the tank and wall, mount the floor flange at a nominal 12" rough-in distance.



UNIFIT TYPE	A	B
12" ROUGH	12" [305]	5 1/2" [140]
10" ROUGH**	10" [254]	3 1/2" [89]
14" ROUGH**	14" [356]	7 1/2" [191]

*SUGGESTED DIMENSIONS
**SOLD SEPERATELY

TOTO

These dimensions and specifications are subject to change without notice