



SERVICE PARTS LIST

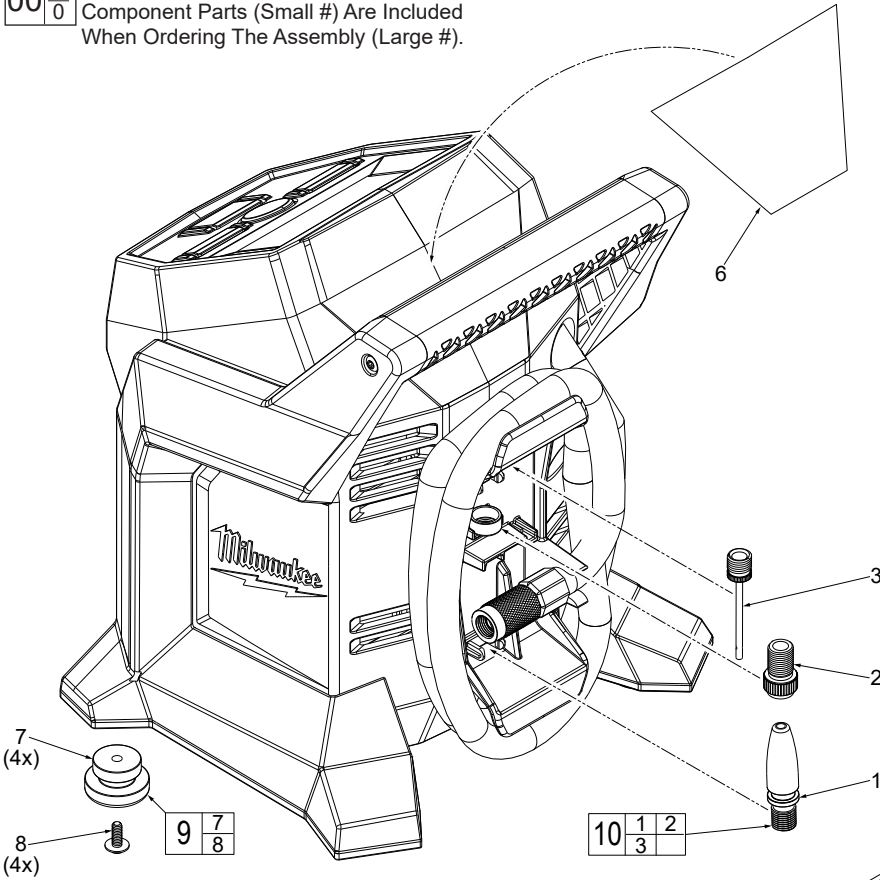
BULLETIN NO.
54-05-2475

| SPECIFY CATALOG NO. AND SERIAL NO. WHEN ORDERING PARTS | | REVISED BULLETIN | DATE |
|--|----------------|----------------------------|--------------------|
| M12™ COMPACT INFLATOR | | | Dec. 2017 |
| CATALOG NO. | 2475-20 | STARTING SERIAL NO. | J47A |
| | | | WIRING INSTRUCTION |

EXAMPLE:

| | |
|----|---|
| 00 | 0 |
|----|---|

 Component Parts (Small #) Are Included When Ordering The Assembly (Large #).



| FIG. | PART NO. | DESCRIPTION OF PART | NO. REQ. |
|------|------------|--------------------------|----------|
| 1 | ----- | Inflating Nozzle | (1) |
| 2 | ----- | Nozzle Adapter | (1) |
| 3 | ----- | Inflating Pin | (1) |
| 4 | 12-20-2479 | Service Nameplate | (1) |
| 5 | 42-70-0058 | Housing Connection Clip | (1) |
| 6 | 10-20-2479 | Warning Label | (1) |
| 7 | ----- | Rubber Foot | (4) |
| 8 | ----- | Pan Hd. Washer Screw | (4) |
| 9 | 42-38-2475 | Foot/Screw Service Kit | (1) |
| 10 | 14-46-2475 | Inflating Attachment Kit | (1) |

FIG. 4.6 NOTES
 4.6 A clean, dry surface is essential for proper performance for any adhesive system. The area intended for application of any adhesive label or nameplate must be prepared by cleaning with isopropyl alcohol. The solvent is to be applied with a clean, lint free applicator and the surface allowed to dry before applying the label or nameplate.

