

FIRESAFE FLANGED FLOATING BALL VALVES FULL PORT CARBON STEEL

FIGURE NUMBERS 6155FS & 6305FS



PRODUCT OVERVIEW

PRESSURE RANGE

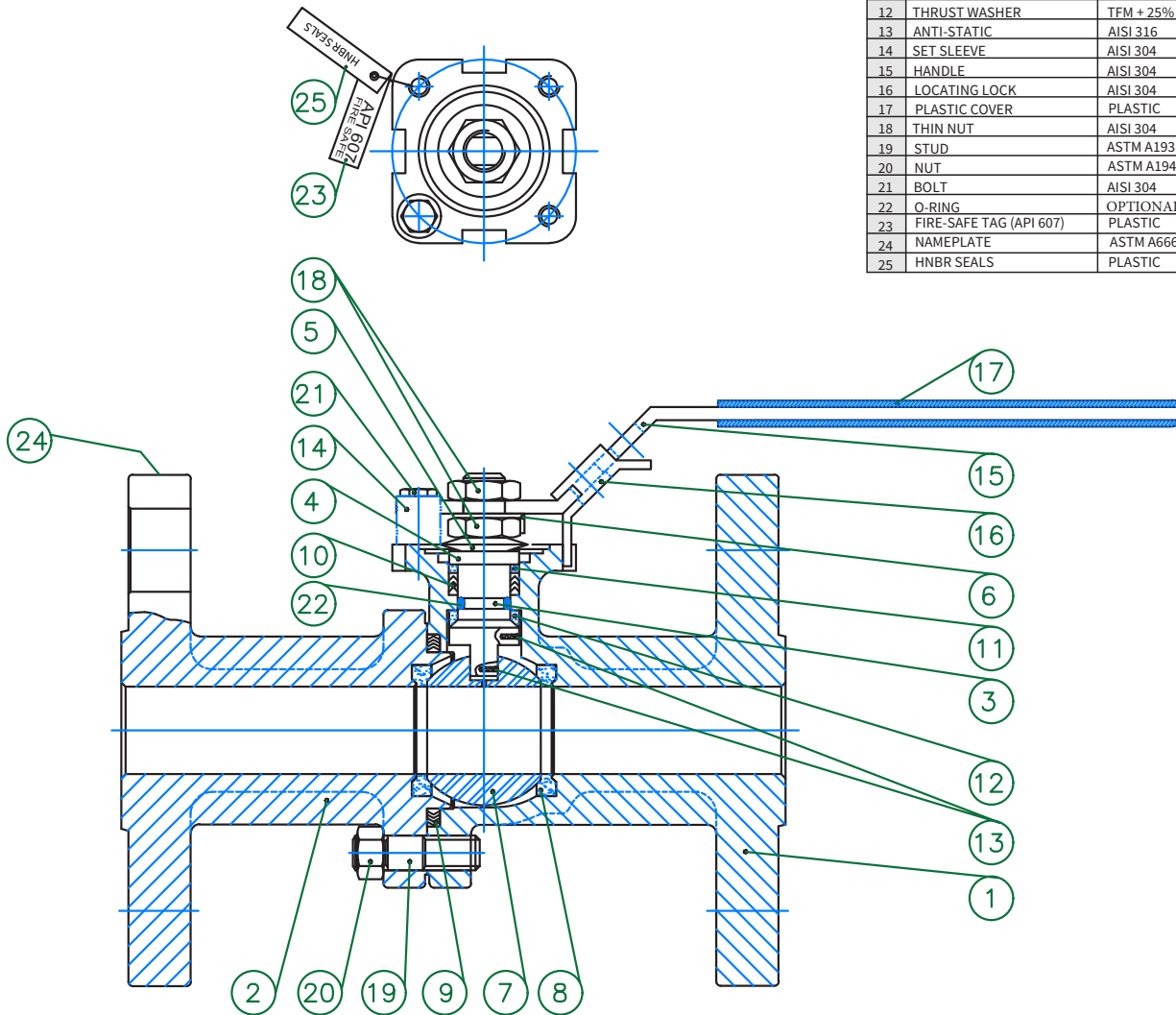
CLASS	FIGURE NUMBER
150#	6155FS
300#	6305FS

SIZE RANGE	1/2" - 12"
MATERIAL GRADES	WCB x 316, LCC x 316
END CONFIGURATIONS	Raised Face & RTJ
OPTIONS	Special Seats & Seals, Stem Extensions, & Worm Gears
FEATURES	Locking Device, ISO 5211 Mounting Pad, Anti-Static Device, Fire-Safe, NACE Compliant, Graphite Packing, Low Fugitive Emission

FIGURE NUMBERS 6155FS & 6305FS

MATERIAL LIST

NO.	PART NAME	MATERIAL
		CARBON STEEL
1	BODY	ASTM A216-WCB
2	CAP	ASTM A216-WCB
3	STEM	17-4PH
4	SLEEVE	AISI 304
5	DISK SPRING WASHER	AISI 301
6	LOCK WASHER	AISI 304
7	BALL	ASTM A351-CF8M
8	SEAT	RPTFE
9	GASKET	SPIRAL WOUND WIRE (316/GRAPHITE)
10	STEM PACKING	GRAPHITE
11	PACKING	50%PTFE + 50%316
12	THRUST WASHER	TFM + 25% CARBON
13	ANTI-STATIC	AISI 316
14	SET SLEEVE	AISI 304
15	HANDLE	AISI 304
16	LOCATING LOCK	AISI 304
17	PLASTIC COVER	PLASTIC
18	THIN NUT	AISI 304
19	STUD	ASTM A193-B7M
20	NUT	ASTM A194-2HM
21	BOLT	AISI 304
22	O-RING	OPTIONAL
23	FIRE-SAFE TAG (API 607)	PLASTIC
24	NAMEPLATE	ASTM A666-304
25	HNBR SEALS	PLASTIC



OTHER BODY AND TRIM MATERIALS AVAILABLE.

Please contact Warren Valve or your Warren Valve representative for more details.

FIGURE NUMBERS 6155FS & 6305FS

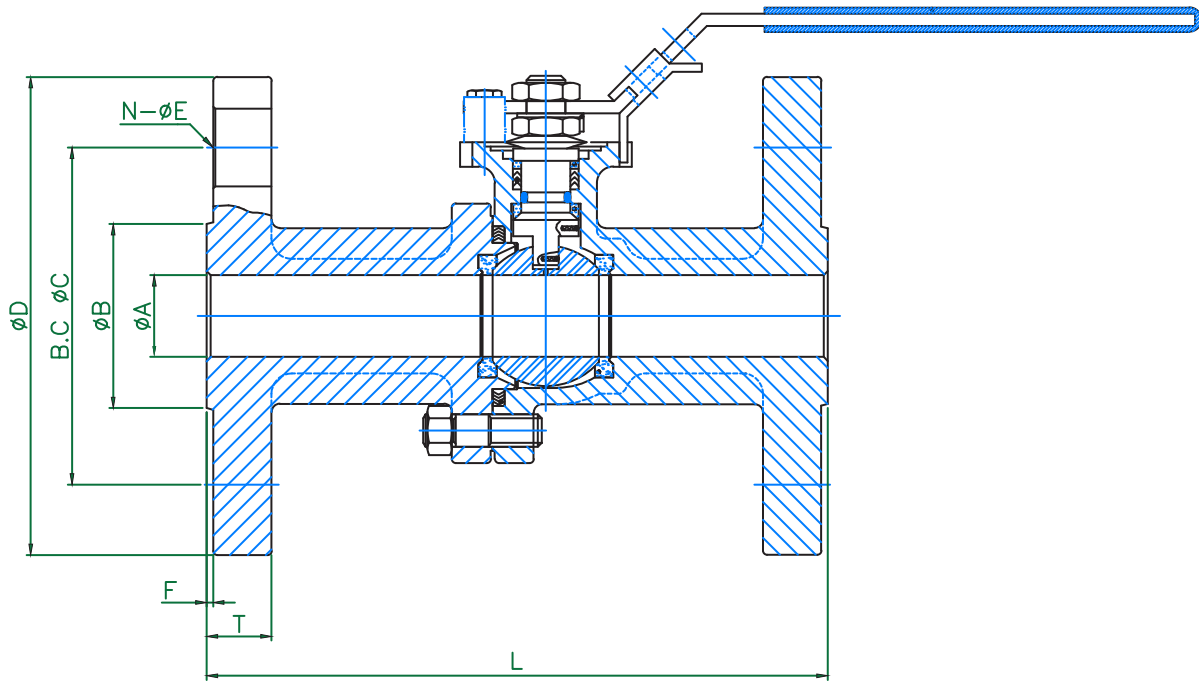


FIGURE NUMBER **6155FS**

FIGURE NUMBER **6305FS**

SIZE	PORT	L	B	C	D	T	F	N	E
1/2"	0.59	4.25	1.38	2.38	3.50	0.44	0.06	4	0.63
3/4"	0.79	4.61	1.69	2.76	3.86	0.50	0.06	4	0.63
1"	0.98	5.00	2.00	3.13	4.25	0.56	0.06	4	0.63
1-1/4"	1.25	5.51	2.52	3.50	4.63	0.63	0.06	4	0.63
1-1/2"	1.49	6.50	2.87	3.87	5.00	0.69	0.06	4	0.63
2"	1.97	7.0	3.62	4.74	5.98	0.75	0.06	4	0.75
2-1/2"	2.56	7.48	4.13	5.49	7.01	0.88	0.06	4	0.75
3"	2.99	7.99	5.00	6.00	7.48	0.94	0.06	4	0.75
4"	4.00	9.02	6.18	7.50	9.02	0.94	0.06	8	0.75
6"	5.98	15.51	8.50	9.51	10.98	1.00	0.06	8	0.87
8"	7.87	17.99	10.63	11.75	13.50	1.13	0.06	8	0.87
10"	9.84	20.98	12.76	14.25	15.98	1.19	0.06	12	0.98
12"	11.81	24.02	15.00	17.01	19.02	1.25	0.06	12	0.98

SIZE	PORT	L	B	C	D	T	F	N	E
1/2"	0.59	5.51	1.38	2.62	3.74	0.56	0.06	4	0.63
3/4"	0.79	5.98	1.69	3.25	4.61	0.63	0.06	4	0.75
1"	0.98	6.49	2.00	3.50	4.88	0.69	0.06	4	0.75
1-1/2"	1.49	7.48	2.87	4.51	6.14	0.81	0.06	4	0.87
2"	1.97	8.50	3.62	5.00	6.50	0.88	0.06	8	0.75
2-1/2"	2.56	9.49	4.13	5.87	7.48	1.00	0.06	8	0.87
3"	2.99	11.14	5.00	6.61	8.27	1.13	0.06	8	0.87
4"	4.00	12.01	6.18	7.87	10.00	1.25	0.06	8	0.87
6"	5.98	15.87	8.50	10.63	12.52	1.44	0.06	12	0.87
8"	7.87	19.76	10.63	12.99	15.00	1.63	0.06	12	0.98