

### PRODUCT SPECIFICATIONS

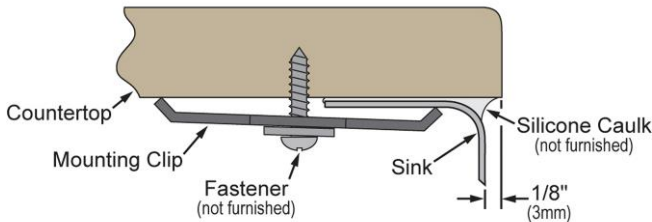
Elkay Crosstown® Stainless Steel 36-1/2" x 18-1/2" x 9", Single Bowl Undermount Sink Kit. Sink is manufactured from 18 gauge 304 Stainless Steel with a Polished Satin finish, Rear Center drain placement, and Sound Guard.

|                              |                            |
|------------------------------|----------------------------|
| <b>Installation Type:</b>    | Undermount                 |
| <b>Material:</b>             | 304 Stainless Steel        |
| <b>Finish:</b>               | Polished Satin             |
| <b>Gauge:</b>                | 18                         |
| <b>Sound Deadening:</b>      | Sound Guard                |
| <b>Number of Bowls:</b>      | 1                          |
| <b>Sink Dimensions:</b>      | 36-1/2" x 18-1/2" x 9"     |
| <b>Bowl 1 Dimensions:</b>    | 35" x 17" x 9"             |
| <b>Drain Size:</b>           | 3-1/2" (89mm)              |
| <b>Drain Location:</b>       | Rear Center                |
| <b>Minimum Cabinet Size:</b> | 39"                        |
| <b>Mounting Hardware:</b>    | Part # 54300008 included   |
| <b>Template Included:</b>    | Yes                        |
| <b>Cutout Template #:</b>    | <a href="#">1000003456</a> |

Template is available for download at [elkay.com](#)

### Installation Profile:

1/8" OVERHANG



Designed to affix to the underside of any solid surface countertop.

### OPTIONAL ACCESSORIES

|                       |  |
|-----------------------|--|
| <b>Cutting Board:</b> | LKCBF17HW                              |
| <b>Faucet:</b>        | LK3000CR, LK3001CR, LK5000CR, LK5000LS |
| <b>Hardware:</b>      | LKUCLIP6                               |



**Included with Product:** Custom fit bottom grid, deep strainer drain, Bar Keeper's Friend cleanser, microfiber towel, all packed in an Elkay protective cloth bag.

### AMERICAN PRIDE. A LIFETIME TRADITION.

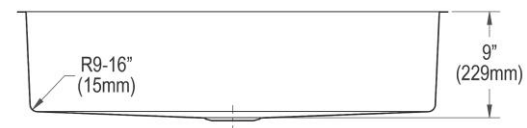
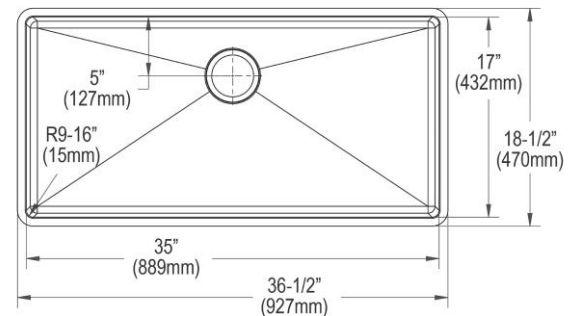
Like your family, the Elkay family has values and traditions that endure. For almost a century, Elkay has been a family-owned and operated company, providing thousands of jobs that support our families and communities.

**Product Compliance:** ASME A112.19.3/CSA B45.4  
**Accessory:** ASME A112.18.2/CSA B125.2



Sinks are listed by IAPMO® as meeting the applicable requirements of the Uniform Plumbing Code®, International Plumbing Code®, and National Plumbing Code of Canada.

[Clean and Care Manual \(PDF\)](#)  
[Installation Instructions \(PDF\)](#)  
[Limited Lifetime Warranty \(PDF\)](#)



PART: \_\_\_\_\_ QTY: \_\_\_\_\_

PROJECT: \_\_\_\_\_

CONTACT: \_\_\_\_\_

DATE: \_\_\_\_\_

NOTES: \_\_\_\_\_

APPROVAL: \_\_\_\_\_

In keeping with our policy of continuing product improvement, Elkay reserves the right to change product specifications without notice. Please visit [elkay.com](#) for the most current version of Elkay product specification sheets. This specification describes an Elkay product with design, quality, and functional benefits to the user. When making a comparison of other producers' offerings, be certain these features are not overlooked.