



**BRADFORD WHITE**<sup>®</sup>  
W A T E R   H E A T E R S

**REPLACEMENT PARTS LIST**  
**Residential Gas**  
**Atmospheric Vent High EF Models**



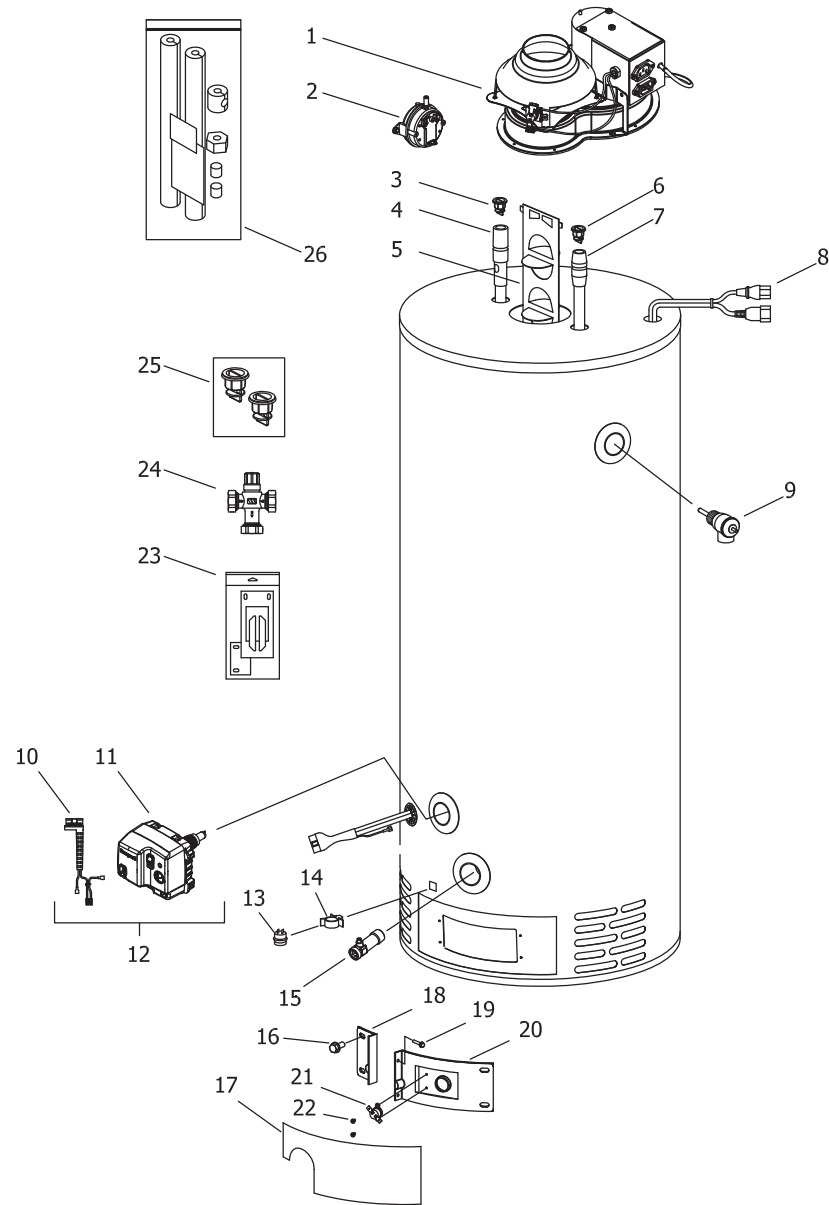
**DEFENDER**  
SAFETY SYSTEM<sup>®</sup>

Includes Hydrojet<sup>®</sup>  
Total Performance System

***Effective: May, 2015***  
***ECO 7950***

**NOTE: BOTH MODEL AND SERIAL  
NUMBERS ARE REQUIRED FOR  
ORDERING REPLACEMENT PARTS**

Dimensions and specifications  
subject to change without notice.



Item	Description	Model RG2F40S	Model RG2F50S
1	Blower Complete	239-48697-00	239-48697-00
	Blower Complete High Altitude (2,001 Ft. to 7,000 Ft.)	243-50204-00	243-50204-00
2	Pressure Switch	239-48754-01	239-48754-01
	Pressure Switch High Altitude (2,001 Ft. to 7,000 Ft.)	239-48754-02	239-48754-02
3	Heat Trap Insert (outlet)	239-45167-00	239-45167-00
4	Hot Water Outlet Anode (Magnesium)▲#	224-47776-19	224-47776-19
	Hot Water Outlet (Aluminum)▲#	224-32999-42	224-32999-42
	Hot Water Outlet A420 (Aluminum)▲#	224-49560-08	224-49560-08
5	Restrictor Baffle	243-49081-00	243-49082-00
6	Heat Trap Insert (inlet)	239-51556-00	239-51556-00
7	Cold Water Inlet ▲▲	229-51230-17	229-51230-17
8	Wire Harness	239-45617-03	239-45617-03
9	T&P Relief Valve	230-40594-02	230-40594-02
10	Gas Valve Wire Harness	239-50066-00	239-50066-00
11	Gas Valve	222-48795-02	222-48795-02
12	Gas Valve Assy Kit	239-48795-02	239-48795-02
13	Flammable Vapor Sensor	239-45560-00	239-45560-00
14	Flammable Vapor Sensor Clip	239-45648-00	239-45648-00
15	Brass Drain Valve	265-42351-02	265-42351-02
16	Screw-#10-12 x 3/4 HWH	239-44113-00	239-44113-00
17	Outer Door	243-43962-00	243-43962-00
18	Left Side Inner Door Complete	239-43968-18	239-43968-20
19	Screw-#8-18 x 3/4 HWH	239-44195-00	239-44195-00
20	Right Side Inner Door Complete	239-43963-06	239-43963-09
21	Resettable Thermal Switch	239-43676-01	239-43676-01
22	Screw-#6-20 x 3/8 PHCR	239-43967-00	239-43967-00
23	Inner Door Gasket Kit	239-44078-00	239-44078-00
24	ASSE Approved Mixing Valve (optional)	239-43740-01	239-43740-01
25	Kit-Heat Trap Insert	265-51572-00	265-51572-00
26	Insulation Kit	239-48949-00	239-48949-00

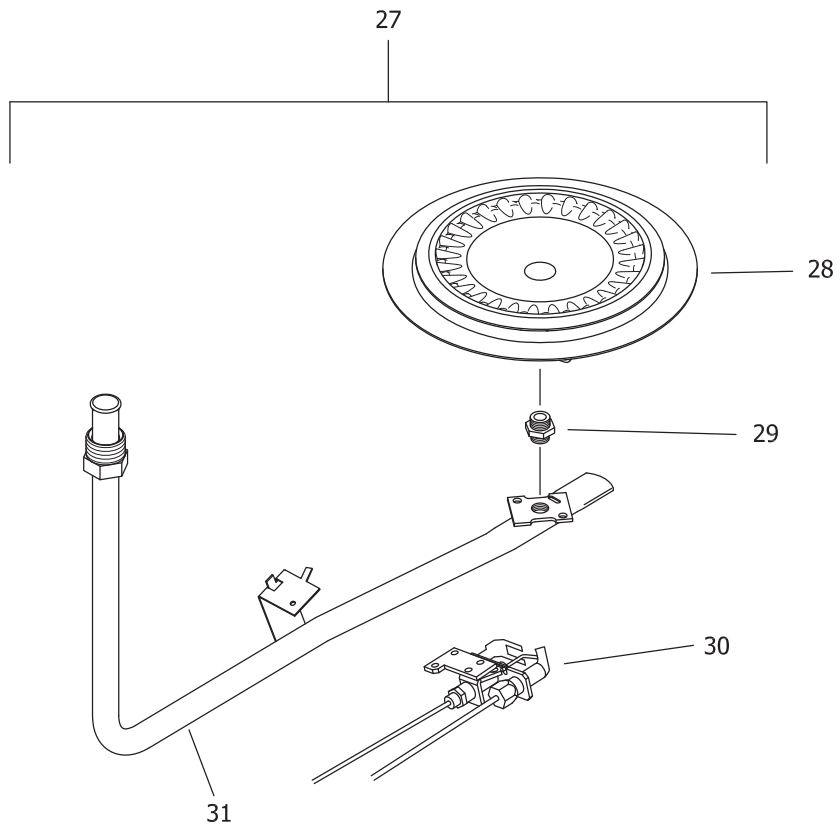
\*Applies to all warranties

\*\*Inner door gasket kit recommended

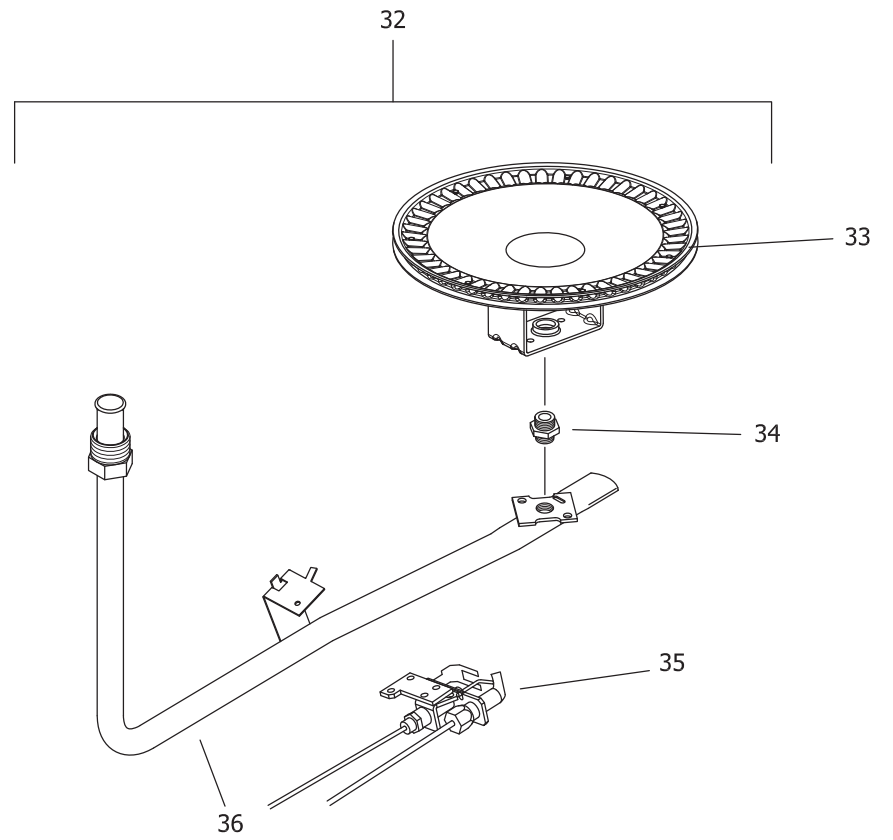
# Anode may need to be cut to length

▲ Order with item 3

▲▲ Order with item 6



NATURAL GAS (BN) BURNER ASSEMBLY



LP GAS (SX) BURNER ASSEMBLY

Item	Description	Model RG2F40S	Model RG2F50S
<b><u>Natural Gas (N) Burner Assembly</u></b>			
27	Nat Gas Burner Assembly Complete***	265-45652-02-33	265-45652-04-33
28	Nat. Gas (N) Burner**	228-42506-00	228-42506-00
29	Nat. Gas (N) Main Burner Orifice 0 Ft. to 2,000 Ft.**	234-41034-33	234-41034-33
	Nat. Gas (N) High Altitude 0 Ft. to 7,000 Ft. (-475 model suffixes) **	234-41034-36	234-41034-36
	Nat. Gas (N) High Altitude 7,001 Ft. to 10,000 Ft.	265-51380-08-41	265-51380-08-41
30	Nat. Gas Pilot Assembly**	233-45653-05	233-45653-05
31	Nat. Gas Feedline**	233-45615-02	233-45615-04
<b><u>LP Gas (X) Titanium Stabilized Stainless Steel Burner Assembly</u></b>			
32	LP Gas Burner Assembly Complete***	265-47316-02-50	265-47316-03-50
33	LP Gas (X) Burner**	228-46964-00	228-46964-00
34	LP Gas (X) Main Burner Orifice 0 Ft. to 2,000 Ft. **	234-47064-50	234-47064-50
	LP Gas (X) High Altitude Orifice 0 Ft. to 7,000 Ft. (-475 model suffixes) **	234-47064-51	234-47064-51
	LP Gas (X) High Altitude Orifice Kit 7,001 Ft. to 10,000 Ft.	265-51433-08-53	265-51433-08-53
35	LP Gas Pilot Assembly**	233-45653-05	233-45653-05
36	LP Gas Feedline**	233-47109-02	243-47316-03
	LP to Natural Gas Conversion Kit (Norm Alt.)	265-46493-89	265-46493-90
	LP to Natural Gas Conversion Kit (High Alt.)	265-46493-80	265-46493-92

\*\*Inner door gasket kit recommended

\*\*\*Ordering a complete burner assembly may increase delivery time. Please order the specific component required for the quickest delivery.



# **BRADFORD WHITE®**

W A T E R H E A T E R S

Ambler, PA

For U.S. and Canada field service,  
contact your professional installer or  
local Bradford White sales representative.

**Sales/800-523-2931**  
**Fax/215-641-1670**  
**Parts Fax/215-641-2180**

**Technical Support/800-334-3393**  
**Fax/269-795-1089**

**Warranty/800-531-2111**  
**Fax/269-795-1089**

**International:**  
**Telephone/215-641-9400**  
**Telefax/215-641-9750**



# **BRADFORD WHITE-CANADA® INC.**

Mississauga, ON

**Sales/866-690-0961**  
**905-238-0100**

**Fax/905-238-0105**

**Technical Support/800-334-3393**

**Email**

**parts@bradfordwhite.com**  
**techserv@bradfordwhite.com**

**www.bradfordwhite.com**