

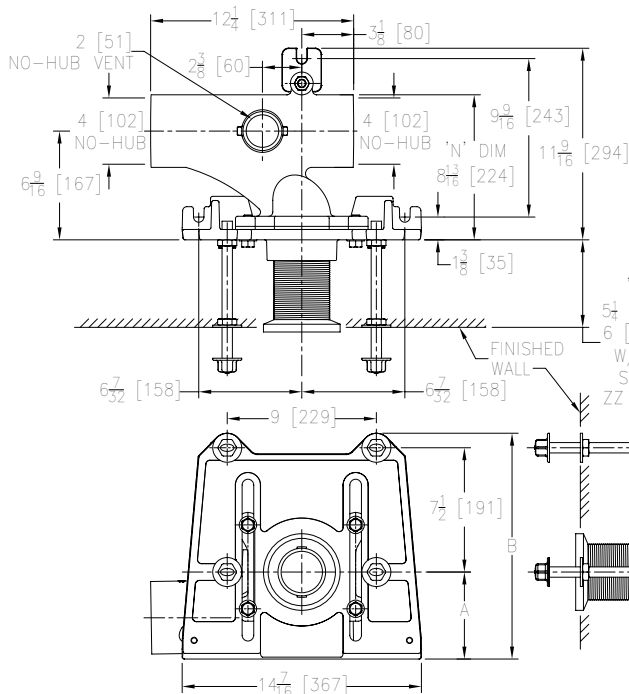


ZF1201-N_4-F_
ONE-PIECE COMBINATION FOOT/FACEPLATE
EZCARRY® HORIZONTAL HIGH PERFORMANCE
SIPHON JET NO-HUB WATER CLOSET CARRIER SYSTEM

SPECIFICATION SHEET

TAG _____

Design and Dimensional Data (inches and [mm]) are Subject to Manufacturing Tolerances and Change Without Notice



| Product Number | Approx. Wt. lbs [kg] | Dimensions in Inches [mm] | |
|----------------|----------------------|---------------------------|--------------|
| | | A | B |
| ZF1201-NL4-F55 | 72 [33] | 5-1/2 [140] | 13-7/8 [352] |
| ZF1201-NR4-F55 | | | |
| ZF1201-NL4-F75 | 76 [34] | 7-1/2 [191] | 15-7/8 [403] |
| ZF1201-NR4-F75 | | | |

Note:

1. Cut ZZ coupling, Min. 'P' Dim. Obtainable=2 [51]. Cut EZ-Set™ Coupling, Min. 'P' Dim. Obtainable=4-1/4 [108] or 2-1/16 [52] for 12 [305] NPT.
2. Feet bolted to floor using min. 1/2 [13] dia. anchors.
3. Rear anchor foot required for secure installation.

ENGINEERING SPECIFICATION: ZURN ZF1201-N_4-F_

EZCarry® One-piece combination floor mounted foot/faceplate horizontal siphon jet water closet carrier system, supplied for () rough-in height, with high performance Dura-Coated cast iron main fitting with hydro-mechanically optimized sweep, 4" [102 mm] no-hub connections and extended 2" [51 mm] vent. Corrosion resistant, adjustable 3" [76 mm] dia. X 6" [152 mm] coupling with integral test cap, designed to increase flow velocity and line carry, and labor saving "Neo-Seal" bonded gasket optimizes flow performance while reducing installation steps. Complete system includes one-piece combination foot/faceplate; heavy-duty 1/2" [13 mm] rear anchor tie down; fixture bolts, trim and stud protectors. EZCarry® one-piece combination floor mounted foot/faceplate system complies with all applicable requirements of ASME A112.6.1M up to a 500 lbs [227 kg] maximum static load.

OPTIONS (Check/specify appropriate options)

- ___ **ZF1201-NL4-F55** 4 [102] No-Hub Left Hand Inlet with Flow to Right with 5-1/2 [140] Non-Adjustable Rough-In Height
- ___ **ZF1201-NR4-F55** 4 [102] No-Hub Right Hand Inlet with Flow to Left with 5-1/2 [140] Non-Adjustable Rough-In Height
- ___ **ZF1201-NL4-F75** 4 [102] No-Hub Left Hand Inlet with Flow to Right with 7-1/2 [191] Non-Adjustable Rough-In Height
- ___ **ZF1201-NR4-F75** 4 [102] No-Hub Right Hand Inlet with Flow to Left with 7-1/2 [191] Non-Adjustable Rough-In Height

PREFIXES

- ___ ZF D.C.C.I. System with Zurn ZZ Adjustable Coupling*
- ___ ZQF D.C.C.I. System with NPT Faceplate, Non-Adjustable Coupling

SUFFIXES

- ___ -A Auxiliary Support Assembly (For 'P' Dim. Greater than 18 [457])
- ___ -CC Corrosion Resistant Cast Iron Coupling (2-1/4 to 12 [57 to 305])
- ___ -CE EZ-Set™ Coupling (NPSM 6 [152], 12 [305] or custom) (NPT 12 [305] or custom)
- ___ -CL Custom Length Standard Coupling with Integral Test Cap (Specify Length 4, 8, 10, 12 [102, 203, 254, 305])
- ___ -CS 2-1/4 [57] Polymer Coupling with Integral Test Cap (ZZ Coupling Only)
- ___ -F Floor Mounted, Back Outlet Fixture Support
- ___ -G Galvanized Cast Iron
- ___ -JC 2 [51] Auxiliary Inlet with 1/8 [3] Bend
- ___ -M Auxiliary Foot Support (for 'P' Dim. 10 thru 18 [254 thru 457])
- ___ -VP Vandal-Proof Trim
- ___ -45 Finishing Frame for Siphon Jet System
- ___ -50 Flush Valve Supply Support for Water Closets

- ⚠ **WARNING:** Cancer and Reproductive Harm - www.P65Warnings.ca.gov
- ⚠ **ADVERTENCIA:** Cáncer y daño reproductivo - www.P65Warnings.ca.gov
- ⚠ **AVERTISSEMENT:** Cancer et effets néfastes sur la reproduction - www.P65Warnings.ca.gov

Zurn Industries, LLC | Specification Drainage Operation
 1801 Pittsburgh Avenue, Erie, PA 16502, Ph. 855.663.9876

In Canada | Zurn Industries Limited
 7900 Goreway Drive, Unit 10, Brampton, Ontario L6T 5W6, Ph. 877.892.5216

www.zurn.com

Rev. E
 Date: 12/30/22
 C.N. No. 144897
 Patent zurn.com/patents
 Prod. | Dwg. No. ZF1201-N_4-F_