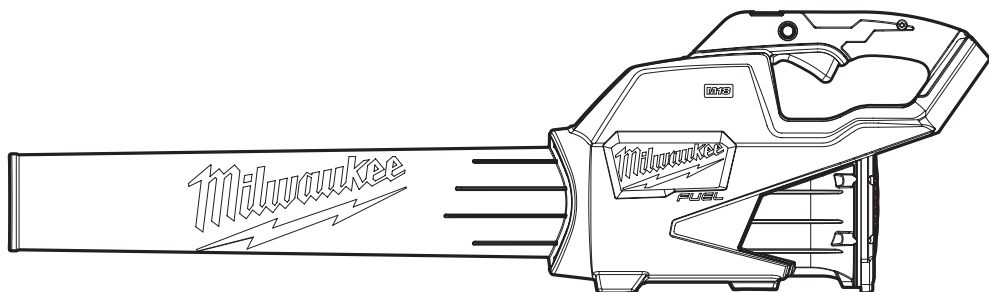




OPERATOR'S MANUAL  
MANUEL de L'UTILISATEUR  
MANUAL del OPERADOR



Cat. No. / No de cat.  
**2724-20**

**M18™ FUEL™ BLOWER**  
**SOUFFLANTE FUEL™ M18™**  
**SOPLADOR FUEL™ M18™**



**WARNING** To reduce the risk of injury, user must read and understand operator's manual.

**AVERTISSEMENT** Afin de réduire le risque de blessures, l'utilisateur doit lire et bien comprendre le manuel.

**ADVERTENCIA** Para reducir el riesgo de lesiones, el usuario debe leer y entender el manual.

# IMPORTANT SAFETY INSTRUCTIONS

**⚠️WARNING** Read all safety warnings, instructions, illustrations and specifications provided with this power tool. Failure to follow all instructions listed below may result in electric shock, fire and/or serious injury. Save all warnings and instructions for future reference.

## READ ALL INSTRUCTIONS BEFORE USE

### WORK AREA SAFETY

- Do not use in the presence of explosive dust, liquids or vapors. Power tools have motors and other parts that can produce sparks during normal use. Do not use within 30 feet of areas where explosive materials may be present (such as gasoline pumps and places where liquids like paint thinners, cleaners, solvents, etc. are stored).
- Do not use where oxygen or anesthetics are used.
- Do not allow to be used as a toy. Close attention is necessary when used by or near children. Store idle power tools out of the reach of children and do not allow persons unfamiliar with the power tool or these instructions to operate the power tool. Power tools are dangerous in the hands of untrained users.
- Use extra care when using on stairs. Do not over-reach. Keep proper footing and balance at all times. Keep work area clean and well lit. This enables better control of the tool in unexpected situations.
- Avoid dangerous environmental conditions. To reduce the risk of electric shock, do not expose to rain. Store tool indoors.
- Inspect the area before using the power tool. Remove all debris and hard objects such as rocks, glass, wire, etc. that can ricochet, be thrown, or otherwise cause injury or damage during operation.

### PERSONAL SAFETY

- Stay alert, watch what you are doing and use common sense when operating a power tool. Do not use a power tool while you are tired or under the influence of drugs, alcohol or medication. A moment of inattention while operating power tools may result in serious personal injury.
- Always wear eye protection. Use of this tool can result in foreign objects being blown into eyes, which can result in eye damage.
- Wear a face or dust mask when working in dust situations. Dust particles can harm your lungs.
- Use personal protective equipment. Protective equipment such as hearing protection, protective clothing, and non-skid safety shoes used for appropriate conditions will reduce personal injuries.
- Dress properly. Do not wear loose clothing or jewelry. Keep your hair and clothing away from moving parts. Loose clothes, jewelry or long hair can be caught in moving parts.
- Do not point tool at self or bystanders. Keep bystanders 50' away during use. Objects may be thrown or ricochet in all directions.
- Do not let familiarity gained from frequent use of tools allow you to become complacent and ignore tool safety principles. A careless action can cause severe injury within a fraction of a second.

### POWER TOOL USE AND CARE

- Use the power tool, accessories, etc. in accordance with these instructions, taking into account the working conditions and the work to be performed. Use of the power tool for operations different from those intended could result in a hazardous situation.
- Prevent unintentional starting. Ensure the switch is in the off-position before connecting to power source and/or battery pack, picking up or carrying the tool. Carrying power tools with your finger on the switch or energizing power tools that have the switch on invites accidents.
- Use the correct power tool for your application. The correct power tool will do the job better and safer at the rate for which it was designed.
- Use only as described in this manual. Use only manufacturer's recommended attachments.
- Do not point tool at anything that is burning or smoking such as cigarettes, matches, or hot ashes.
- To reduce the risk of health hazards from vapors or dust, do not use tool near toxic, carcinogenic or other hazardous materials such as asbestos, arsenic, barium, beryllium, lead, pesticides or other health endangering materials.
- **⚠️WARNING** Some dust created by power sanding, sawing, grinding, drilling, and other construction activities contains chemicals known to cause cancer, birth defects or other reproductive harm. Some examples of these chemicals are:
  - lead from lead-based paint
  - crystalline silica from bricks and cement and other masonry products, and
  - arsenic and chromium from chemically-treated lumber.Your risk from these exposures varies, depending on how often you do this type of work. To reduce your exposure to these chemicals: work in a well ventilated area, and work with approved safety equipment, such as those dust masks that are specially designed to filter out microscopic particles.
- Do not use power tool if the switch does not turn it on and off. Any power tool that cannot be controlled with the switch is dangerous and must be repaired.
- Avoid accidental starting. Ensure the switch is in the off-position before inserting battery pack. Inserting battery packs in tools that have the switch on invites accidents.
- Do not put hands or objects into openings. Do not use with any opening blocked; keep free of dust, lint, hair, and anything else that may reduce air flow.
- Keep handles and grasping surfaces dry, clean and free from oil and grease. Slippery handles and grasping surfaces do not allow for safe handling and control of the tool in unexpected situations.
- Maintain power tools and accessories. Check for misalignment or binding of moving parts, breakage of parts and any other condition that may affect the power tool's operation. If damaged, have the power tool repaired before use. Many accidents are caused by poorly maintained power tools.

### BATTERY PACK USE AND CARE

- Remove the battery pack from the power tool before making any adjustments, changing accessories, storing, or any time the power tool is not in use. Such preventive safety measures reduce the risk of starting the power tool accidentally.
- Turn off power tool before removing battery pack.
- Do not handle battery pack, tool, or charger (including charger plug and terminals) with wet hands.

- Before using the battery pack or charger read the operator's manuals, and any labels on the battery pack, charger and tool.
- Recharge only with the charger specified by the manufacturer. A charger that is suitable for one type of battery pack may create a risk of fire when used with another battery pack.
- Use tool only with specifically designated battery packs. Use of any other battery packs may create a risk of injury and fire.
- When battery pack is not in use, keep it away from other metal objects like paper clips, coins, keys, nails, screws, or other small metal objects that can make a connection from one terminal to another. Shorting the battery terminals together may cause burns or a fire.
- Under abusive conditions, liquid may be ejected from the battery; avoid contact. If contact accidentally occurs, flush with water. If liquid contacts eyes, additionally seek medical help. Liquid ejected from the battery may cause irritation or burns. It may be toxic if swallowed.
- Do not use damaged battery pack or tool. If battery pack or appliance are not working as they should, have been dropped, damaged, left outdoors, or dropped into water, return them to a service center.
- Do not expose a battery pack or tool to fire or excessive temperature. Exposure to fire or temperature above 265°F (130°C) may cause explosion.
- Follow all charging instructions and do not charge the battery pack or tool outside the temperature range specified in the instructions. Charging improperly or at temperatures outside the specified range may damage the battery and increase the risk of fire.

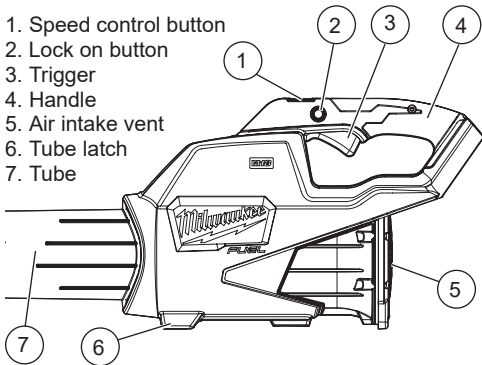
### SERVICE

- Have your power tool serviced by a qualified repair person using only identical replacement parts. This will ensure that the safety of the power tool is maintained.
- Never service damaged battery packs. Service of battery packs should only be performed by the manufacturer or authorized service providers.
- Maintain labels and nameplates. These carry important information. If unreadable or missing, contact a MILWAUKEE service facility for a free replacement.

# READ AND SAVE ALL INSTRUCTIONS FOR FUTURE USE

### FUNCTIONAL DESCRIPTION

1. Speed control button
2. Lock on button
3. Trigger
4. Handle
5. Air intake vent
6. Tube latch
7. Tube



### SPECIFICATIONS

Cat. No. ....	2724-20
Volts .....	18 DC
Battery Type .....	M18™
Charger Type .....	M18™
No Load RPM .....	14 400
Air speed (CFM) .....	0 - 450

### SYMBOLGY

- Volts
- Direct Current
- $n, XXXX \text{ min}^{-1}$  No Load Revolutions per Minute (RPM)
- Safety Alert Symbol
- Read Operator's Manual
- Always wear eye protection, hearing protection, and protective clothing and footwear.
- Do not use in rain or wet locations. Electric shock could occur.
- Keep bystanders 50' away during use
- Do not point tool at self or bystanders. Objects may be thrown or ricochet in all directions.
- Do not put hands or objects into openings. Laceration can occur.
- Keep hair contained. It can be pulled into moving parts.
- Do not wear loose clothing or jewelry. It can be pulled into moving parts.
- UL Listing for Canada and U.S.

### ASSEMBLY

**WARNING** Recharge only with the charger specified for the battery. For specific charging instructions, read the operator's manual supplied with your charger and battery.

#### Removing/Inserting the Battery

To remove the battery, push in the release buttons and pull the battery pack away from the tool.

**WARNING** Always remove battery pack before changing or removing accessories.

To insert the battery, slide the pack into the body of the tool. Make sure it latches securely into place.

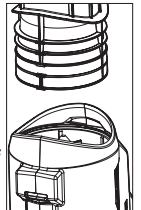
**WARNING** Only use accessories specifically recommended for this tool. Others may be hazardous.

#### Tube Assembly

**WARNING** To reduce the risk of injury, do not operate blower without tube securely in place. Never reach into blower through tube hole.

To install, line up the tab on the tube with the notch in the housing. Slide the tube into the housing until it snaps in place. Pull on the tube to ensure it is secure.

To remove the tube for storage, press the tube latch and pull the tube out of the housing. Always re-install the tube before use.



## OPERATION

**⚠WARNING** To reduce the risk of injury, always wear safety goggles or glasses with side shields.

### Starting, Stopping and Controlling Speed

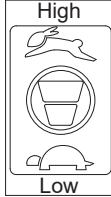
**⚠WARNING** Do not point tool at self or bystanders. Keep bystanders 50' away during use. Objects may be thrown or ricochet in all directions.

To start the tool, grasp the handle firmly and pull the trigger.

To vary the speed, increase or decrease the pressure on the trigger. The further the trigger is pulled, the greater the air flow, up to the maximum set by the speed control button. High speed (rabbit) is 450 CFM, and low speed (tortoise) is 295 CFM.

To lock on the tool, pull the trigger and press in the lock on button.

To stop the tool, pull the trigger and release.

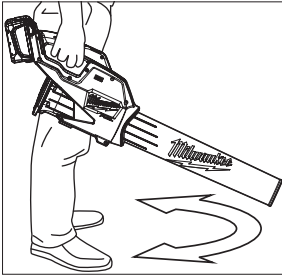


### Using the Blower

**⚠WARNING** Inspect the area before using the unit. Remove all debris and hard objects such as rocks, glass, wire, etc. that can ricochet, be thrown, or otherwise cause injury or damage during operation.

Hold the tube 5"-6" above the ground. Slowly sweep the blower from side to side.

Move forward slowly, working the debris into a pile.



## MAINTENANCE

**⚠WARNING** To reduce the risk of injury, always unplug the charger and remove the battery pack from the charger or tool before performing any maintenance. Never disassemble the tool, battery pack or charger. Contact a MILWAUKEE service facility for ALL repairs.

### Maintaining Tool

Keep your tool, battery pack and charger in good repair by adopting a regular maintenance program. Inspect your tool for issues such as undue noise, misalignment or binding of moving parts, breakage of parts, or any other condition that may affect the tool operation. Return the tool, battery pack, and charger to a MILWAUKEE service facility for repair. After six months to one year, depending on use, return the tool, battery pack and charger to a MILWAUKEE service facility for inspection. If the tool does not start or operate at full power with a fully charged battery pack, clean the contacts on the battery pack. If the tool still does not work properly, return the tool, charger and battery pack, to a MILWAUKEE service facility for repairs.

**⚠WARNING** To reduce the risk of personal injury and damage, never immerse your tool, battery pack or charger in liquid or allow a liquid to flow inside them.

## Cleaning

Clean dust and debris from vents. Keep handles clean, dry and free of oil or grease. Use only mild soap and a damp cloth to clean, since certain cleaning agents and solvents are harmful to plastics and other insulated parts. Some of these include gasoline, turpentine, lacquer thinner, paint thinner, chlorinated cleaning solvents, ammonia and household detergents containing ammonia. Never use flammable or combustible solvents around tools.

## Repairs

For repairs, return the tool, battery pack and charger to the nearest service center.

## ACCESSORIES

**⚠WARNING** Use only recommended accessories. Others may be hazardous.

For a complete listing of accessories, go online to [www.milwaukeetool.com](http://www.milwaukeetool.com) or contact a distributor.

## SERVICE - UNITED STATES

**1-800-SAWDUST (1.800.729.3878)**

Monday-Friday, 7:00 AM - 6:30 PM CST

or visit [www.milwaukeetool.com](http://www.milwaukeetool.com)

Contact Corporate After Sales Service Technical Support with technical, service/repair, or warranty questions.

Email: [metproductsupport@milwaukeetool.com](mailto:metproductsupport@milwaukeetool.com)

Become a Heavy Duty Club Member at [www.milwaukeetool.com](http://www.milwaukeetool.com) to receive important notifications regarding your tool purchases.

## SERVICE - CANADA

**Milwaukee Tool (Canada) Ltd**

**1.800.268.4015**

Monday-Friday, 7:00 AM - 4:30 PM CST

or visit [www.milwaukeetool.ca](http://www.milwaukeetool.ca)

## LIMITED WARRANTY USA & CANADA

Every MILWAUKEE Outdoor Power Equipment Product\* (see exceptions below) is warranted to the original purchaser only to be free from defects in material and workmanship. Subject to certain exceptions, MILWAUKEE will repair or replace any part on an outdoor power equipment product which, after examination, is determined by MILWAUKEE to be defective in material or workmanship for a period of three (3) years after the date of purchase unless otherwise noted. Return of the outdoor power equipment to a MILWAUKEE factory Service Center location or participating MILWAUKEE Authorized Service Station, freight prepaid and insured, is required. A copy of the proof of purchase should be included with the return product. This warranty does not apply to damage that MILWAUKEE determines to be from repairs made or attempted by anyone other than MILWAUKEE authorized personnel, misuse, alterations, abuse, normal wear and tear, lack of maintenance, or accidents.

Normal Wear: Many outdoor power equipment products need periodic parts replacement and service to achieve best performance. This warranty does not cover repair when normal use has exhausted the life of a part including, but not limited to trimmer head, trimmer head spool, cutting lines, blades, chains, blower tubes, brushes, o-rings, and seals.

\*This warranty does not cover Cordless Battery Packs or Reconditioned Product. There are separate and distinct warranties available for these products.

MILWAUKEE does not cover freight or labor charges associated with the inspection and testing of outdoor power equipment products which are found by MILWAUKEE not to be a valid warranty claim. A valid warranty claim must be substantiated by the discovery of defective material or workmanship by MILWAUKEE.

ACCEPTANCE OF THE EXCLUSIVE REPAIR AND REPLACEMENT REMEDIES DESCRIBED HEREIN IS A CONDITION OF THE CONTRACT FOR THE PURCHASE OF EVERY MILWAUKEE PRODUCT. IF YOU DO NOT AGREE TO THIS CONDITION, YOU SHOULD NOT PURCHASE THE PRODUCT. IN NO EVENT SHALL MILWAUKEE BE LIABLE FOR ANY INCIDENTAL, SPECIAL, CONSEQUENTIAL OR PUNITIVE DAMAGES, OR FOR ANY COSTS, ATTORNEY FEES, EXPENSES, LOSSES OR DELAYS ALLEGED TO BE AS A CONSEQUENCE OF ANY DAMAGE TO, FAILURE OF, OR DEFECT IN ANY PRODUCT INCLUDING, BUT NOT LIMITED TO, ANY CLAIMS FOR LOSS OF PROFITS. SOME STATES DO NOT ALLOW THE EXCLUSION OR LIMITATION OF INCIDENTAL OR CONSEQUENTIAL DAMAGES, SO THE ABOVE LIMITATION OR EXCLUSION MAY NOT APPLY TO YOU. THIS WARRANTY IS EXCLUSIVE AND IN LIEU OF ALL OTHER EXPRESS WARRANTIES, WRITTEN OR ORAL. TO THE EXTENT PERMITTED

BY LAW, MILWAUKEE DISCLAIMS ANY IMPLIED WARRANTIES, INCLUDING WITHOUT LIMITATION ANY IMPLIED WARRANTY OF MERCHANTABILITY OR FITNESS FOR A PARTICULAR USE OR PURPOSE. TO THE EXTENT SUCH DISCLAIMER IS NOT PERMITTED BY LAW, SUCH IMPLIED WARRANTIES ARE LIMITED TO THE DURATION OF THE APPLICABLE EXPRESS WARRANTY AS DESCRIBED ABOVE. SOME STATES DO NOT ALLOW LIMITATIONS ON HOW LONG AN IMPLIED WARRANTY LASTS, SO THE ABOVE LIMITATION MAY NOT APPLY TO YOU. THIS WARRANTY GIVES YOU SPECIFIC LEGAL RIGHTS, AND YOU MAY ALSO HAVE OTHER RIGHTS WHICH VARY FROM STATE TO STATE. This warranty applies to product sold in the U.S.A. and Canada only. Please consult the "Service Center Search" in the Parts & Service section of MILWAUKEE's website [www.milwaukeeetool.com](http://www.milwaukeeetool.com) or call 1.800.SAWDUST (1.800.729.3878) to locate your nearest service facility for warranty and non-warranty service on a Milwaukee electric power tool.

## LIMITED WARRANTY - MEXICO, CENTRAL AMERICA & CARIBBEAN

TECHTRONIC INDUSTRIES' warranty is for 3 years since the original purchase date. This warranty card covers any defect in material and workmanship on this Product. To make this warranty valid, present this warranty card, sealed/stamped by the distributor or store where you purchased the product, to the Authorized Service Center (ASC). Or, if this card has not been sealed/stamped, present the original proof of purchase to the ASC. Call toll-free 01 (800) 030-7777 to find the nearest ASC, for service, parts, accessories or components.

### Procedure to make this warranty valid

Take the product to the ASC, along with the warranty card sealed/stamped by the distributor or store where you purchased the product, and any faulty piece or component will be replaced without cost for you. We will cover all freight costs relative with this warranty process.

### Exceptions

This warranty is not valid in the following situations

- When the product is used in a different manner from the end-user guide or instruction manual.
- When the conditions of use are not normal.
- When the product was modified or repaired by people not authorized by TECHTRONIC INDUSTRIES.

Note: If cord set is damaged, it should be replaced by an Authorized Service Center to avoid electric risks.

SERVICE AND ATTENTION CENTER  
Call to 55 4160-3547

IMPORTED AND COMMERCIALIZED BY  
TECHTRONIC INDUSTRIES MEXICO, S.A. DE C.V.  
Miguel de Cervantes Saavedra No.301 Piso 5, Torre Norte  
11520 Colonia Ampliación Granada  
Miguel Hidalgo, Ciudad de Mexico, Mexico

Model: \_\_\_\_\_

Date of Purchase: \_\_\_\_\_

Distributor or Store Stamp: \_\_\_\_\_

# INSTRUCTIONS IMPORTANTES CONCERNANT LA SECURITE

**AVERTISSEMENT** Consulter tous les avertissements de sécurité et toutes les instructions, les illustrations et les précisions fournis avec cet outil électrique. Ne pas suivre l'ensemble des instructions décrites ci-dessous peut entraîner une électrocution, un incendie et/ou des blessures graves. Conserver les avertissements et les instructions à des fins de référence ultérieure.

## LIRE TOUTES LES INSTRUCTIONS AVANT L'UTILISATION

### SECURITE DU LIEU DE TRAVAIL

• Ne pas utiliser en présence de liquides explosifs ou de poussière ou vapeurs explosives. Les outils électriques ont des moteurs et d'autres pièces qui

peuvent produire des étincelles pendant l'utilisation normale. Ne pas utiliser à moins de 9 m (30') des zones où des matières explosives peuvent exister (tel que les pompes à essence et les zones de stockage des liquides comme les diluants pour peinture, les nettoyeurs, les solvants, etc.).

- Ne pas utiliser où l'oxygène ou les agents anesthésiques sont utilisés.
- Cet appareil n'est pas un jouet. Une surveillance étroite est nécessaire lorsqu'il est utilisé par des enfants ou à leur proximité. Entreposer l'outil électrique hors de la portée des enfants et interdire à quiconque de l'utiliser si la personne ne connaît pas bien le produit ou les instructions de fonctionnement. Les outils électriques sont dangereux dans les mains d'utilisateurs novices.
- Redoubler de prudence lors de l'utilisation dans des escaliers. Ne pas travailler hors de portée. Toujours se tenir bien campé et en équilibre. Veiller à ce que l'aire de travail soit propre et bien éclairée. Une bonne stabilité procure un meilleur contrôle de l'outil en cas d'imprévu.
- Éviter les environnements dangereux. Pour réduire le risque de choc électrique, ne pas exposer à la pluie. Entreposer l'outil à l'intérieur.
- Inspecter la zone de travail avant d'utiliser l'outil électrique. Éliminer tous les débris et les objets solides tels que pierres, verre, fils, etc. qui peuvent être ricochés ou projetés et peuvent causer des blessures ou des dommages pendant le fonctionnement.

### SECURITE INDIVIDUELLE

- Rester attentif, prêter attention au travail et faire preuve de bon sens lors de l'utilisation de tout outil électrique. Ne pas utiliser cet outil en cas de fatigue ou sous l'influence de l'alcool, de drogues ou de médicaments. Un moment d'inattention pendant l'utilisation d'un outil électrique peut entraîner des blessures graves.
- Toujours porter une protection oculaire. L'utilisation de cet outil peut causer la projection d'objets en direction du visage et entraîner des lésions oculaires.
- Porter un masque facial ou anti-poussières en travaillant dans des zones poussiéreuses. Les particules de poussière peuvent endommager vos poumons.
- Porter l'équipement de protection individuel requis. Selon les conditions, porter une protection auditive, des vêtements de protection, des bottes de sécurité antidérapantes, réduira les blessures corporelles.
- Porter une tenue appropriée. Ne pas porter de vêtements amples ni de bijoux. Garder les cheveux et les vêtements à l'écart des pièces en mouvement. Les vêtements flottants, les bijoux ou les cheveux longs risquent d'être happés par les pièces en mouvement.
- Ne pas diriger l'outil vers soi ou une autre personne. Pendant l'utilisation, garder les boudauds à une distance minimale de 15 m (50'). Des objets peuvent être projetés ou ricocher dans toutes les directions.
- La familiarité acquise de l'utilisation fréquente des outils ne doit pas vous permettre d'ignorer les principes de sécurité de l'outil. Une fraction de seconde d'inattention peut entraîner des blessures graves.

### UTILISATION ET ENTRETIEN DE L'OUTIL ELECTRIQUE

- Utiliser l'outil électrique, les accessoires, etc. conformément à ces instructions en tenant compte des conditions de travail et de la tâche à effectuer. L'usage d'un outil électrique pour des applications pour lesquelles il n'est pas conçu peut être dangereux.
- Empêcher les démarrages accidentels. S'assurer que la gâchette est en position d'arrêt avant de brancher