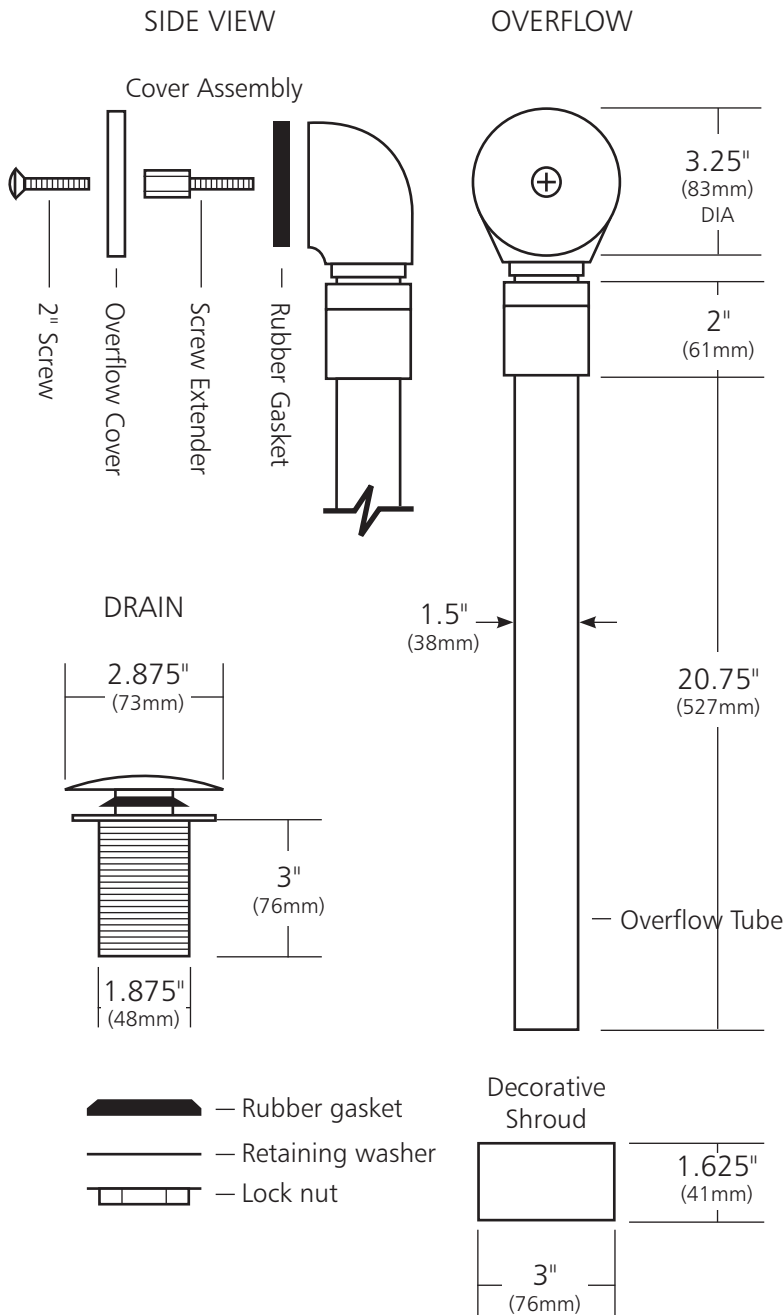


SPECIFICATIONS

**PUSH TO SEAL BATH  
WASTE & OVERFLOW**

Bathtub



- DR290-CH Chrome
- DR290-BN Brushed Nickel
- DR290-ORB Oil Rubbed Bronze
- DR290-PN Polished Nickel

**PRODUCT DETAILS**

- For use with sub-floor tub waste connection
- Drain & overflow perfect for thick walled tubs (up to 3.5" thick)
- Pivoting head ensures snug fit
- Push to seal drain
- Fully plated

**COORDINATING PRODUCTS**

- Avalon 72 and Avalon 62