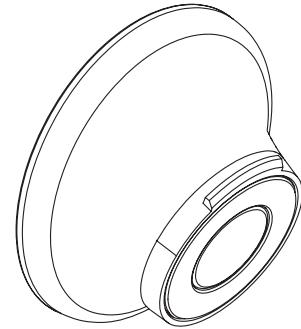


DESCRIPTION

- Metal construction with various finishes identified by suffix

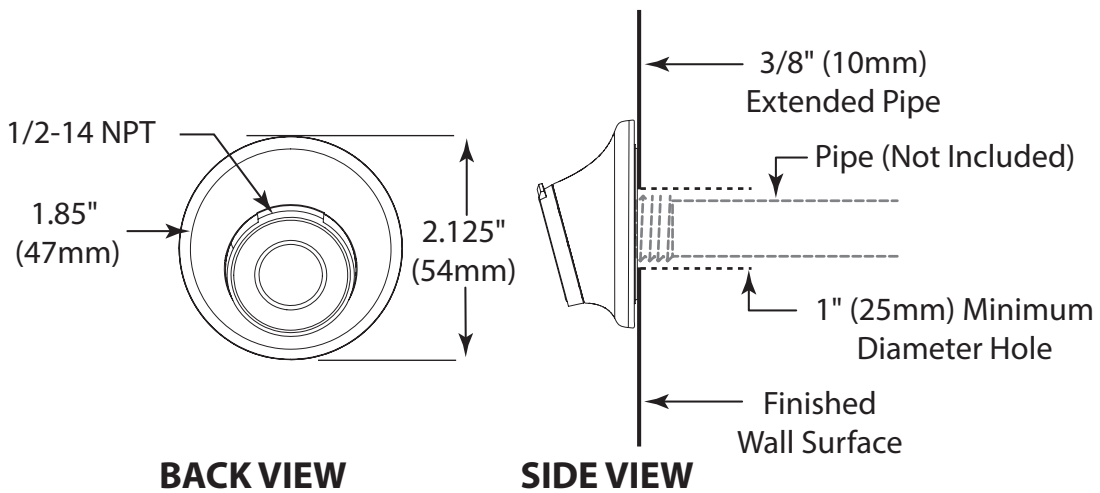
WARRANTY

- Warranted for one year against material or manufacturing defects



**Magnetix™
Remote Cradle**

Model: 186117 series



CRITICAL DIMENSIONS

(DO NOT SCALE)