

## DESCRIPTION

- Various finishes identified by suffix
- Magnetix™ technology features an innovative magnetic docking system
- Includes rainshower, handshower, hose and magnetic docking system
- 60" double interlock spiral hose (metal), for Chrome and Spot Resist Brushed Nickel finishes only
- 1/2" IPS connection


## OPERATION

- Rainshower is single function, Handshower is six functions
- Rotate outer ring to select function
- 3-way diverter provides ability to flow each shower head separately or combined for more coverage
- Pause/trickle button allows to momentarily pause the handshower flow at a push of a button

## FLOW

- Designed to deliver 1.75 gpm (6.6 L/min) MAX at 80 psi

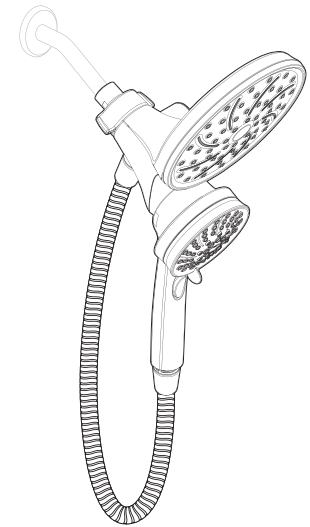
## STANDARDS

- Designed and manufactured to comply with the applicable requirements of ASME A112.18.1/CSA B-125.1, and all applicable specifications referenced therein
- Products marked with 1.75 gpm are compliant with California water efficiency regulations
- ADA  compliant for handshower

## WARRANTY

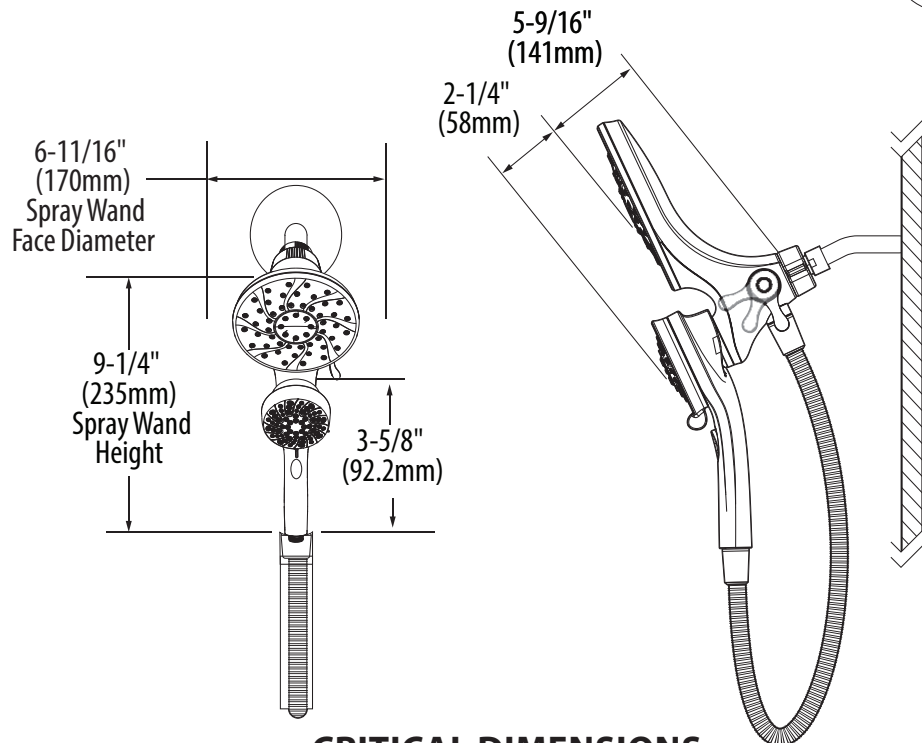
- Lifetime limited warranty against material or manufacturing defects to the original homeowner
- 10 year limited warranty when used in a multifamily installation
- 5 year limited warranty when used in a commercial installation

Visit [www.moen.com/support](http://www.moen.com/support) for complete details and limitations



**Engage™**  
**6-Function Rainshower/  
 Handshower Combo with  
 Magnetix™ Docking Hose**

**Model: 26010 series**



## CRITICAL DIMENSIONS

(DO NOT SCALE)