

Fig. 187 (Formerly Afcon Fig. 511)

Two Hole 90° Side Mount Strap

Size Range: 3/4" through 2"

Finish: Zinc Plated Steel (Hot-Dip Galvanized optional)

Service: Hanger for CPVC pipe in the horizontal position on the bottom of structural wood beams and Steel 20 Ga. (min.) (Fig. A). *Can be used as a restrainer, only in Steel 20 Ga. (min) (Fig. B).* During installation, adjust hanger mounting flanges such that pipe contacts both mounting surface and hanger, minimizing vertical pipe movement.

Approvals: UL and ULC Listed.

Installation:

- Snap hanger over pipe.
- Secure hanger to mounting surface with screws provided.
- Do not anchor tightly to mounting surface. Pipe must be allowed to move freely through hanger.
- Steel applications require two (2) #14 x 1" hex washer head self-drilling TEK screws. Not Supplied. Part Number STD-0090.

Features:

- Beveled edge design helps protect the CPVC pipe from any rough surface.
- Easily attaches to wood structure with #10 x 1" hex washer head self threading screw supplied with product. No pre-drilling required.

Ordering: Specify CPVC pipe size, figure number and description.

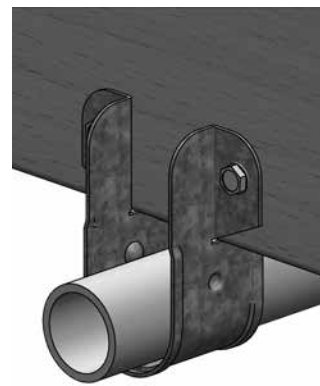
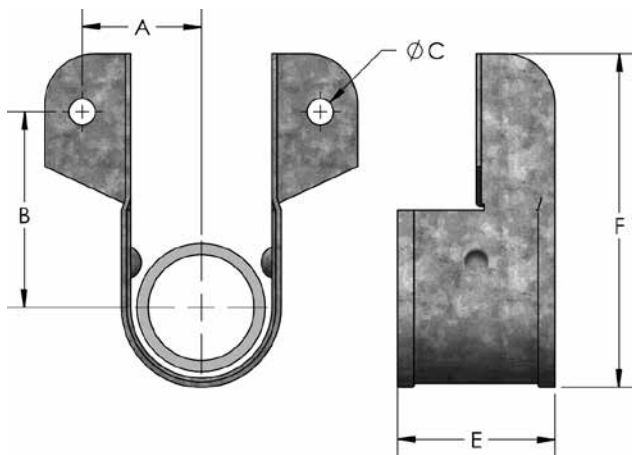
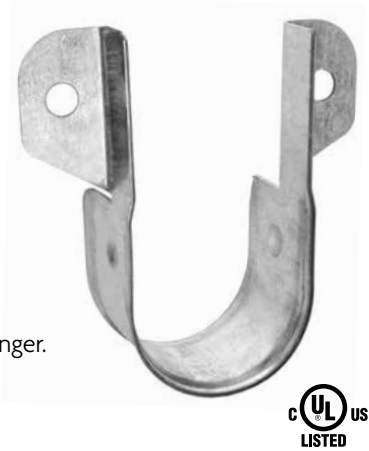


Fig. A

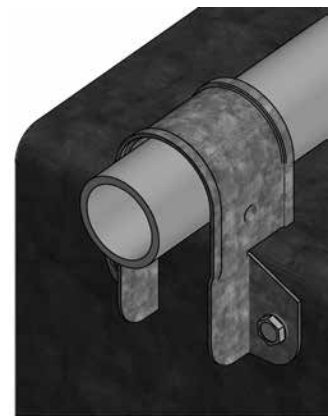


Fig. B

FIG. 187: DIMENSIONS (IN) • WEIGHT (LBS)

CPVC Pipe Size	A	B	øC	E	F	Max. Hanger Spacing (FT.)	Approx. Weight/100 (lbs)
3/4	15/16	1 1/2	3/16	1 3/16	2 1/2	5 1/2	5
1	1	1 9/16	3/16	1 3/16	2 3/4	6	6
1 1/4	1 3/16	1 3/4	3/16	1 3/16	3 1/4	6 1/2	7
1 1/2	1 5/16	1 11/16	3/16	1 3/16	3 1/2	7	8
2	1 9/16	2 1/8	3/16	1 3/16	3 13/16	8	9

PROJECT INFORMATION		APPROVAL STAMP	
Project:		<input type="checkbox"/> Approved	
Address:		<input type="checkbox"/> Approved as noted	
Contractor:		<input type="checkbox"/> Not approved	
Engineer:		Remarks:	
Submittal Date:			
Notes 1:			
Notes 2:			