

**STUDIO® 60" x 30" BATHING POOL with APRON**

- 2973.102 BATHING POOL**  
Right Drain
- 2973.202 BATHING POOL**  
Left Drain

**Product Features:**

- High-gloss acrylic with fiberglass reinforcement
- Integral apron with clean, minimalist design
- Integral three-sided, 1" tiling/water retention flange helps prevent water seepage
- For recess installation
- Pre-leveled tub bottom for easier installation
- Integral lumbar support provides extra comfort
- Spaciously designed to provide maximum bathing space with a wide and deep bathing well
- A textured floor helps to improve safety
- Limited Lifetime warranty

**Nominal Dimensions:**

60" x 30" x 18"  
(1524 x 762 x 457mm)

**Compliance Certifications -  
Meets or Exceeds the Following Specifications:**

- CSA B45.5/ IAPMO Z124
- cUPC



**To Be Specified - Required**

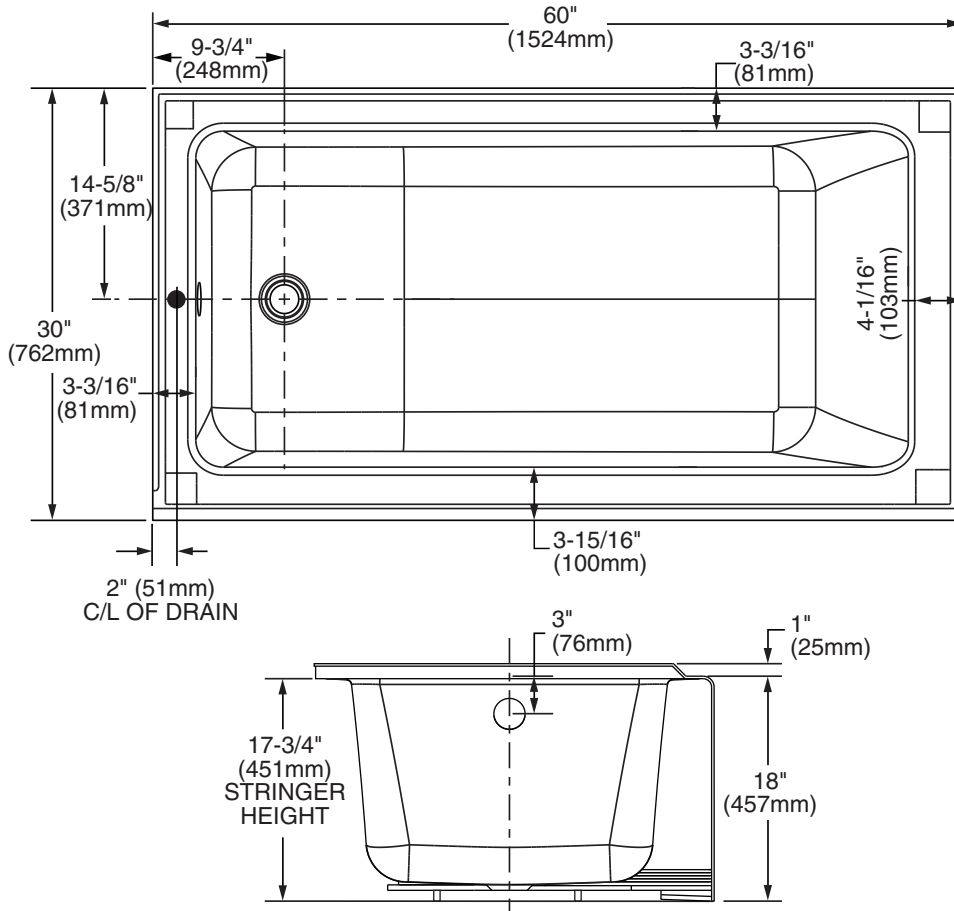
- Bath Faucet\*:
- Faucet Finish:
- Drain\*:
- Drain Finish:

\*See American Standard faucet and drain section of Product Selector

SEE REVERSE FOR ROUGHING-IN DIMENSIONS  
AND PRODUCT SPECIFICATIONS



MEETS THE AMERICANS WITH DISABILITIES ACT GUIDELINES  
AND ANSI A117.1 REQUIREMENTS FOR ACCESSIBLE AND  
USEABLE BUILDING FACILITIES-CHECK LOCAL CODES.  
INSTALL WITH SEAT AT HEAD END.



<b>GENERAL SPECIFICATIONS FOR 2973 TUB</b>	
INSTALLED SIZE _____	60 x 30 x 18 In. (1524 x 762 x 457mm)
WEIGHT _____	56 Lbs. (25 Kg)
WEIGHT w/WATER _____	457 Lbs. (208 Kg)
GAL. TO OVERFLOW _____	48 Gal. (181 L)
BATHING WELL AT SUMP _____	22 x 44.5 In. (559 x 1130mm)
BATHING WELL AT RIM _____	25 X 53 In. (635 x 1346mm)
WATER DEPTH TO OVERFLOW _____	12 In. (305mm)
FLOOR LOADING _____	37 Lbs./Sq.Ft. (179 Kgs/Sq.m)
(PROJECTED AREA)	
PTS. _____	10.18
CUBE (FT <sup>3</sup> ) _____	25.12

**NOTES:**

- BATH TO BE INSTALLED ABOVE FLOOR LINE AS A RECESS INSTALLATION.
- REFER TO INSTALLATION INSTRUCTIONS SUPPLIED WITH TUB FOR ADDITIONAL INFORMATION.
- FITTINGS NOT INCLUDED AND MUST BE ORDERED SEPARATELY.
- PROVIDE SUITABLE REINFORCEMENT FOR ALL SUPPORTS.
- MOUNTING HOLES DRILLED BY INSTALLER.

**IMPORTANT:** Dimensions of fixtures are nominal and may vary within the range of tolerances established by ANSI Standard CSA B45.5-11/IAPMO Z124-2011. These measurements are subject to change or cancellation. No responsibility is assumed for use of superseded or voided pages.