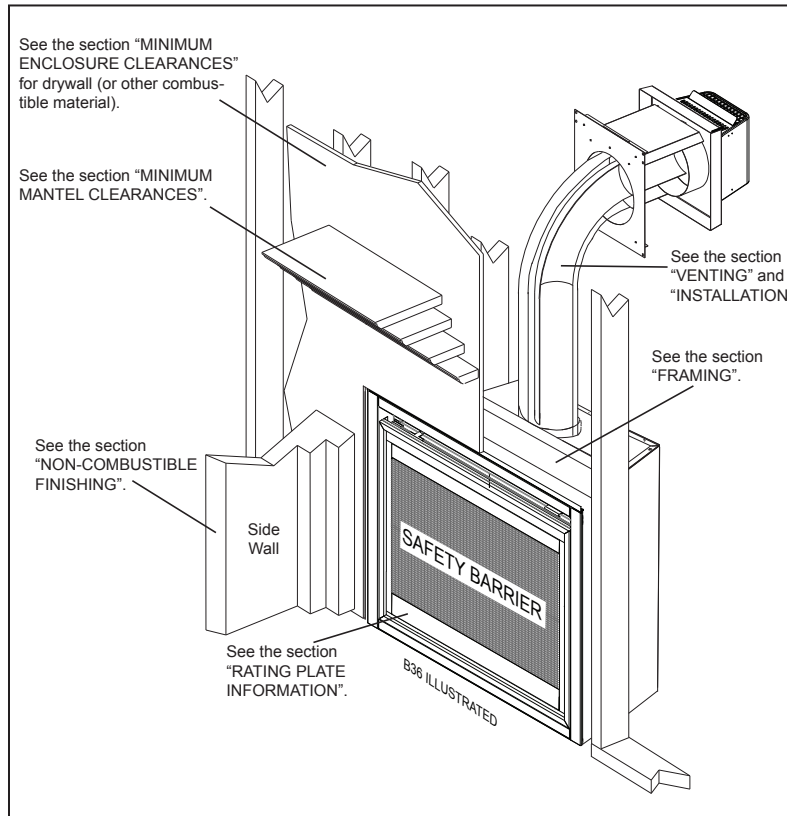


ASCENT™ 36 DIRECT VENT GAS FIREPLACE

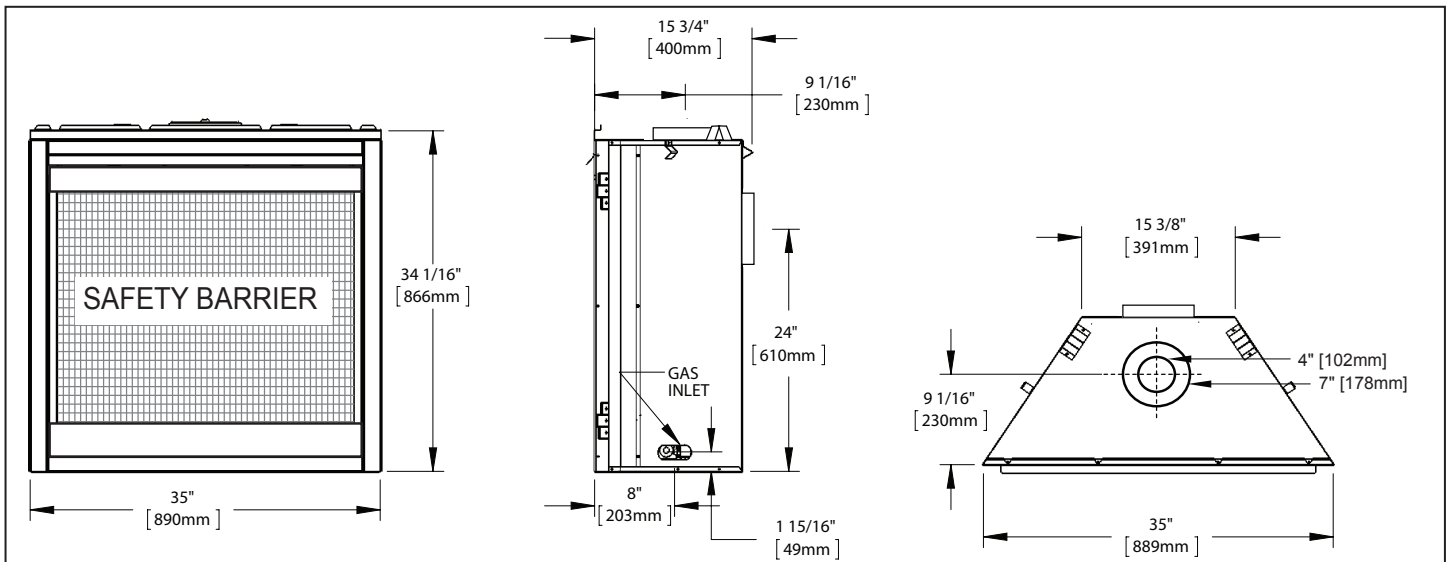
Specifications

Model	BTU	Width		Height		Depth		Glass
		Actual	Framing	Actual	Framing	Actual	Framing	
B36	18,000	35	35 1/2	34 1/16	35	15 3/4	16	23 86/125 X 30 86/125

Overview



Dimensions



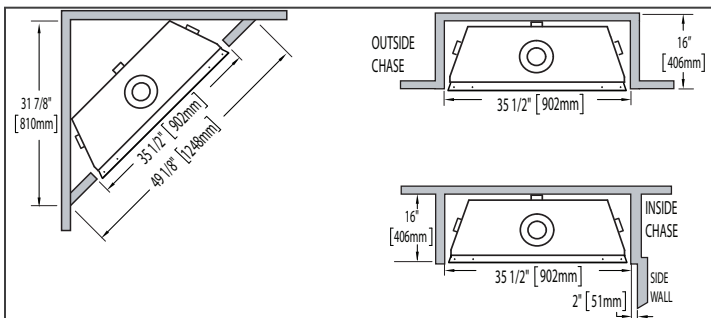
ASCENT™ 36 DIRECT VENT GAS FIREPLACE

Framing & Clearances

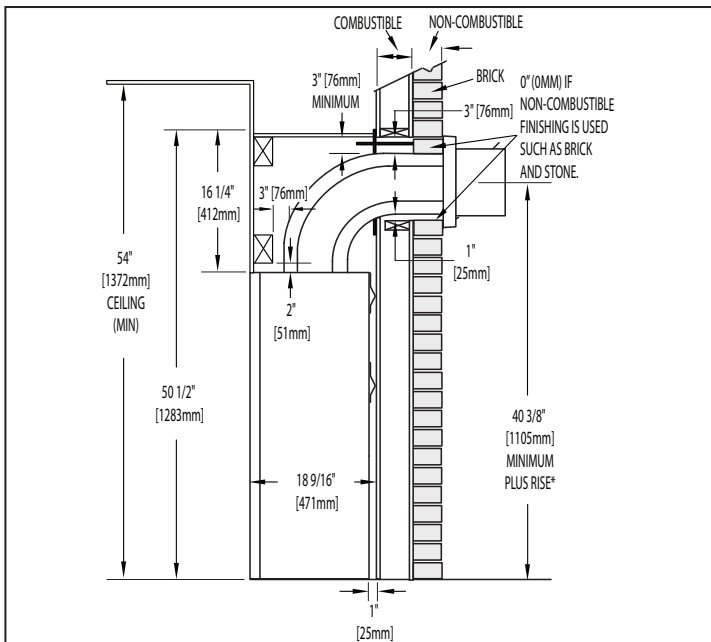
Minimum Fireplace Clearances

- Combustible Framing:**
- 0" to stand-offs
 - 1" (25mm) to bottom and sides of the vent pipe*
 - 3" (76mm) to top of the vent pipe*
- Combustible Finishing:**
- 0" to rear stand offs
 - 0" to front face top and sides
- Top Exit**
- 50 1/2" (1283mm) to combustible enclosure top from base of the appliance
 - 54" (1372mm) to ceiling from base of the appliance
- Rear Exit**
- 41" (1041mm) to combustile enclosure top from base of the appliance
 - 54" (1372mm) to ceiling from base of the appliance

Appliance Location

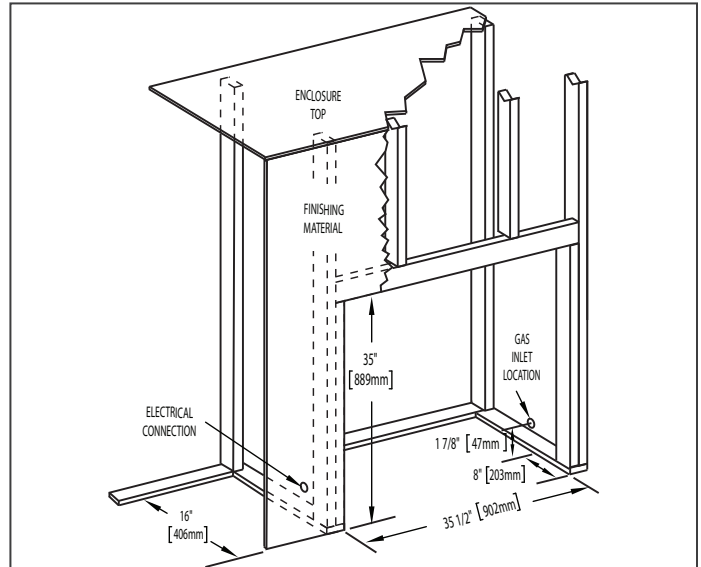


Wall Penetration

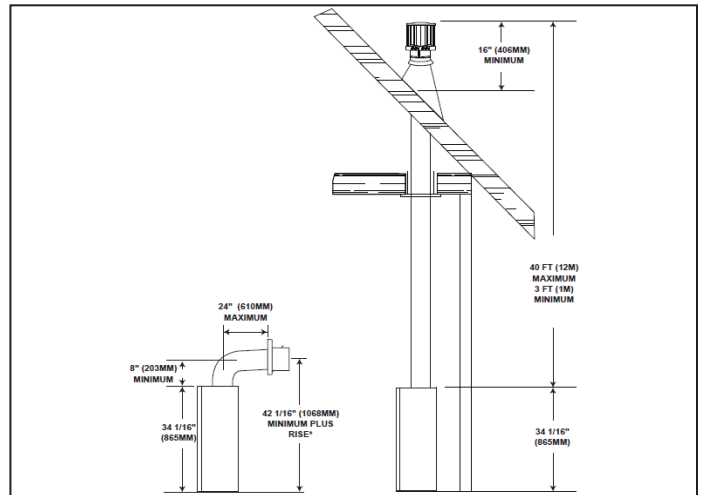


Product information provided is not complete and is subject to change without notice. Please consult the installation manual for the most up to date installation information.

Framing Dimensions



Minimum Vertical Vent Rise



Combustible Mantel Clearances

